

US00D974937S

(12) **United States Design Patent**  
**Ogura**

(10) **Patent No.:** **US D974,937 S**

(45) **Date of Patent:** **\*\* Jan. 10, 2023**

(54) **INDICATOR FOR ELEVATOR**

(71) Applicant: **Mitsubishi Electric Corporation,**  
Tokyo (JP)

(72) Inventor: **Toshihisa Ogura,** Tokyo (JP)

(73) Assignee: **Mitsubishi Electric Corporation,**  
Tokyo (JP)

(\*\*) Term: **15 Years**

(21) Appl. No.: **29/754,857**

(22) Filed: **Oct. 15, 2020**

(30) **Foreign Application Priority Data**

May 29, 2020 (JP) ..... 2020-010597 D

(51) **LOC (14) Cl.** ..... **10-05**

(52) **U.S. Cl.**  
USPC ..... **D10/108**

(58) **Field of Classification Search**  
USPC ..... D10/108, 106.95; D14/307, 491;  
D13/164, 174  
See application file for complete search history.

(56) **References Cited**

**U.S. PATENT DOCUMENTS**

D342,683 S \* 12/1993 Cohen ..... D13/164  
D381,960 S \* 8/1997 Chandler ..... D10/49

D512,691 S \* 12/2005 Hisatsune ..... D13/164  
D589,832 S \* 4/2009 Ogura ..... D10/108  
D696,602 S \* 12/2013 Saikawa ..... D13/164  
D699,617 S \* 2/2014 Saikawa ..... D13/164  
D705,689 S \* 5/2014 Saikawa ..... D13/164  
D871,948 S \* 1/2020 Hikima ..... D10/108

\* cited by examiner

*Primary Examiner* — George D. Kirschbaum

(74) *Attorney, Agent, or Firm* — Studebaker & Brackett  
PC

(57) **CLAIM**

The ornamental design for an indicator for elevator, as shown and described.

**DESCRIPTION**

FIG. 1. is a perspective view of the front, right, and top sides of an indicator for elevator as viewed from a front showing my new design;

FIG. 2. is a front view thereof;

FIG. 3. is a rear view thereof;

FIG. 4. is a right side view thereof; a left side view being a mirror image thereof;

FIG. 5. is a top plan view thereof; a bottom plan view being a mirror image thereof;

FIG. 6. is an enlarged end view of cutting part at 6-6 in FIG. 2 omitting the internal mechanism; and,

FIG. 7. is a reference view showing in use thereof.

The broken lines in FIG. 7 represent environment and forms no part of the claimed design.

**1 Claim, 7 Drawing Sheets**

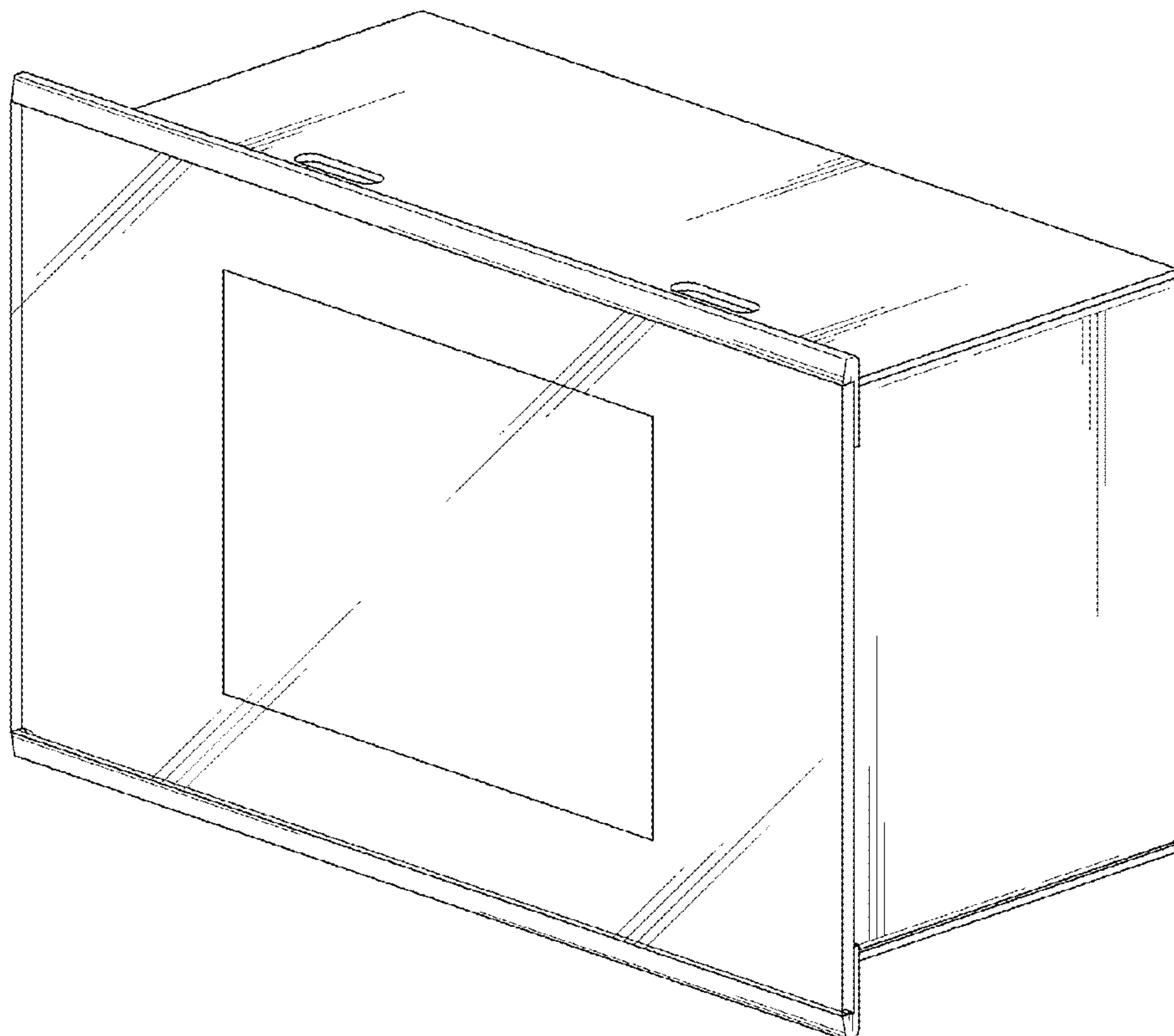


Fig.1

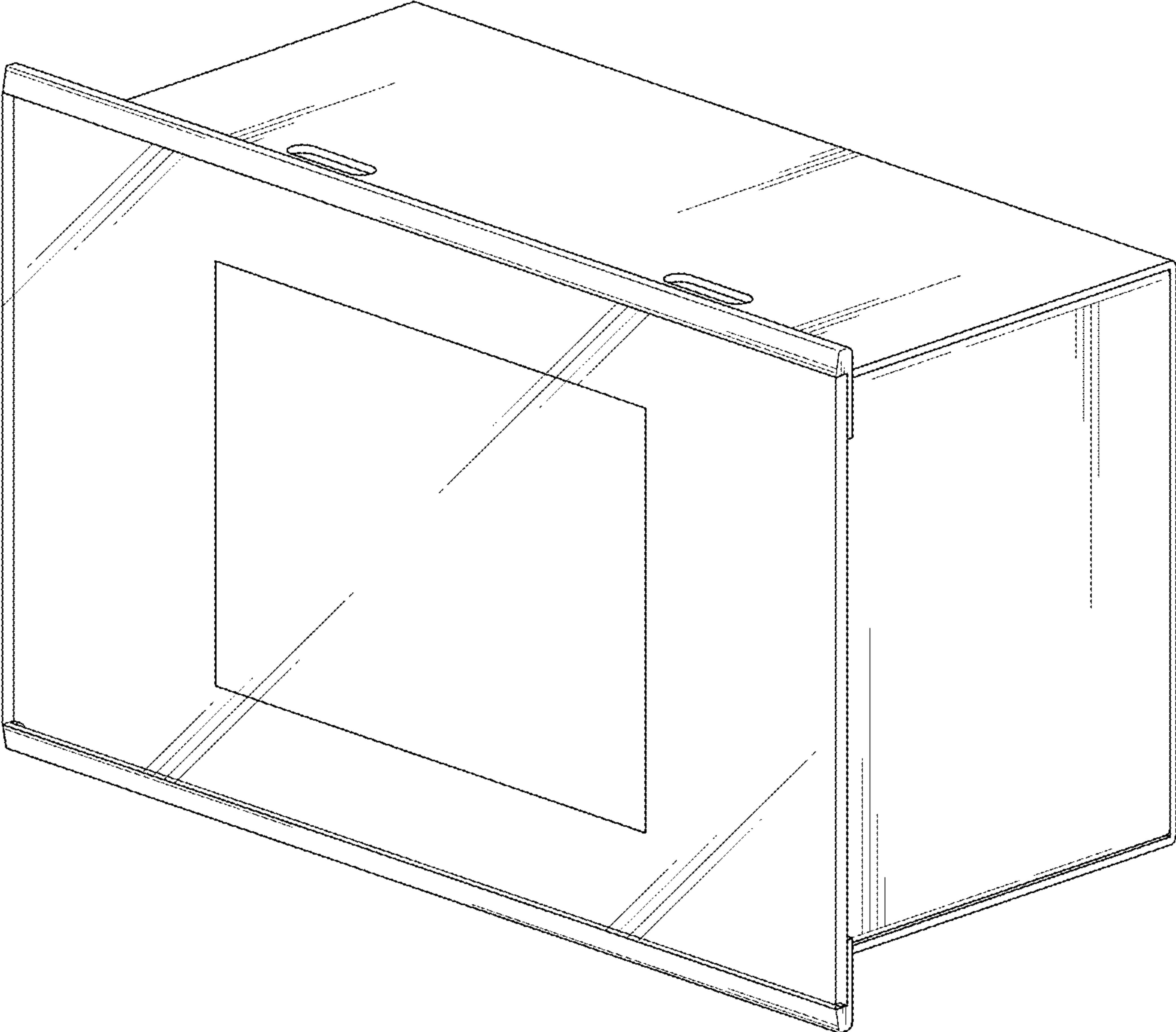


Fig.2

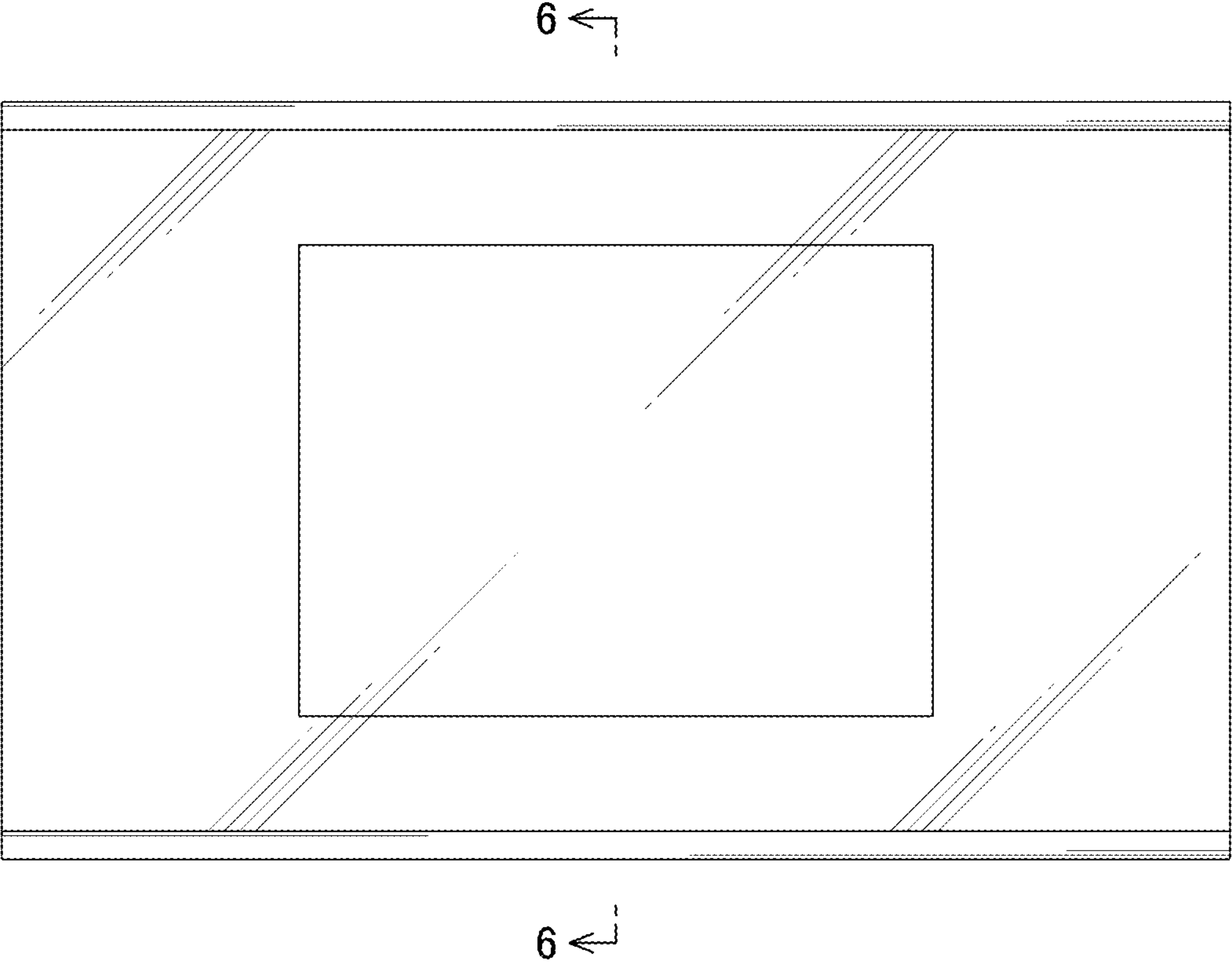


Fig.3

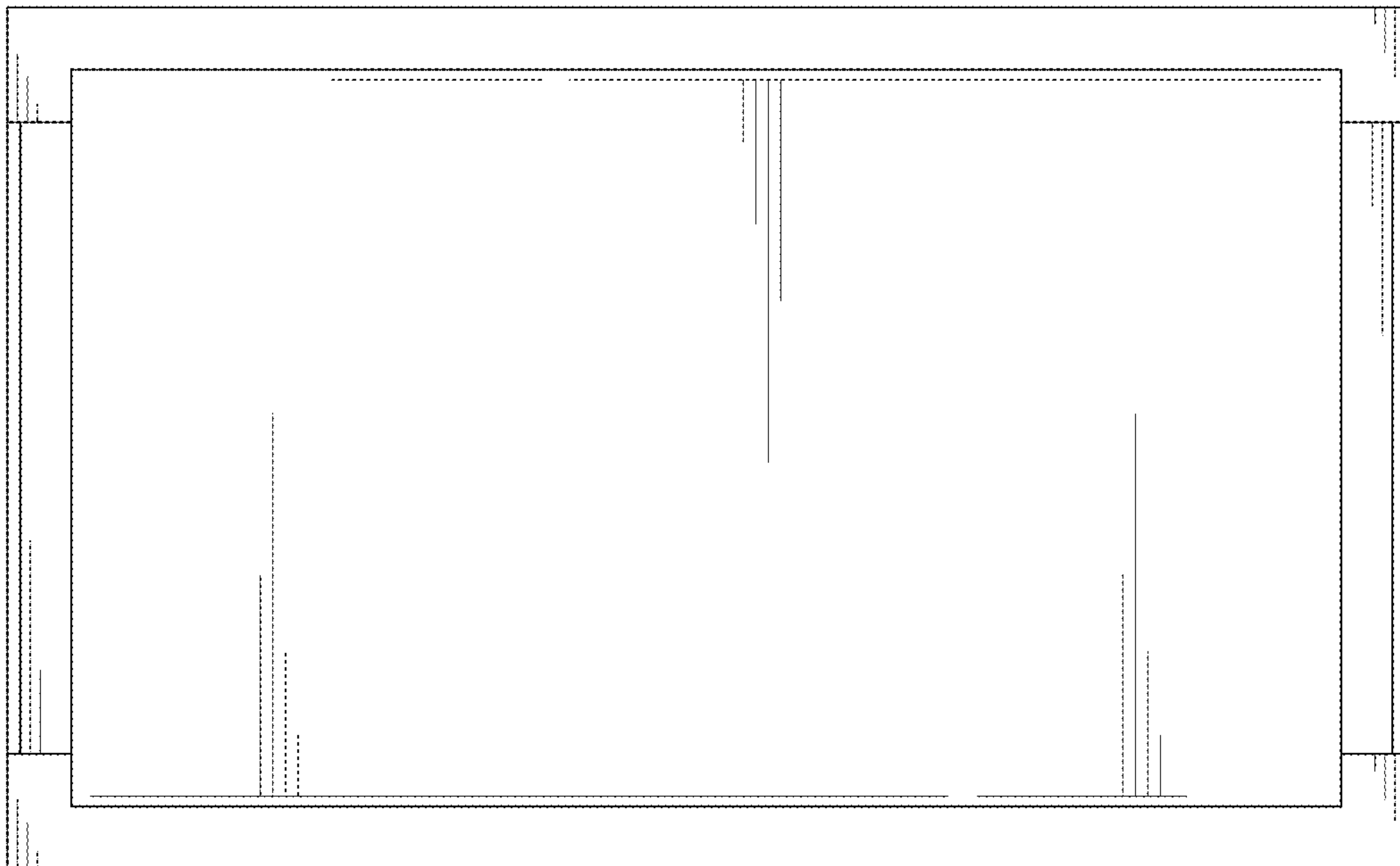


Fig.4

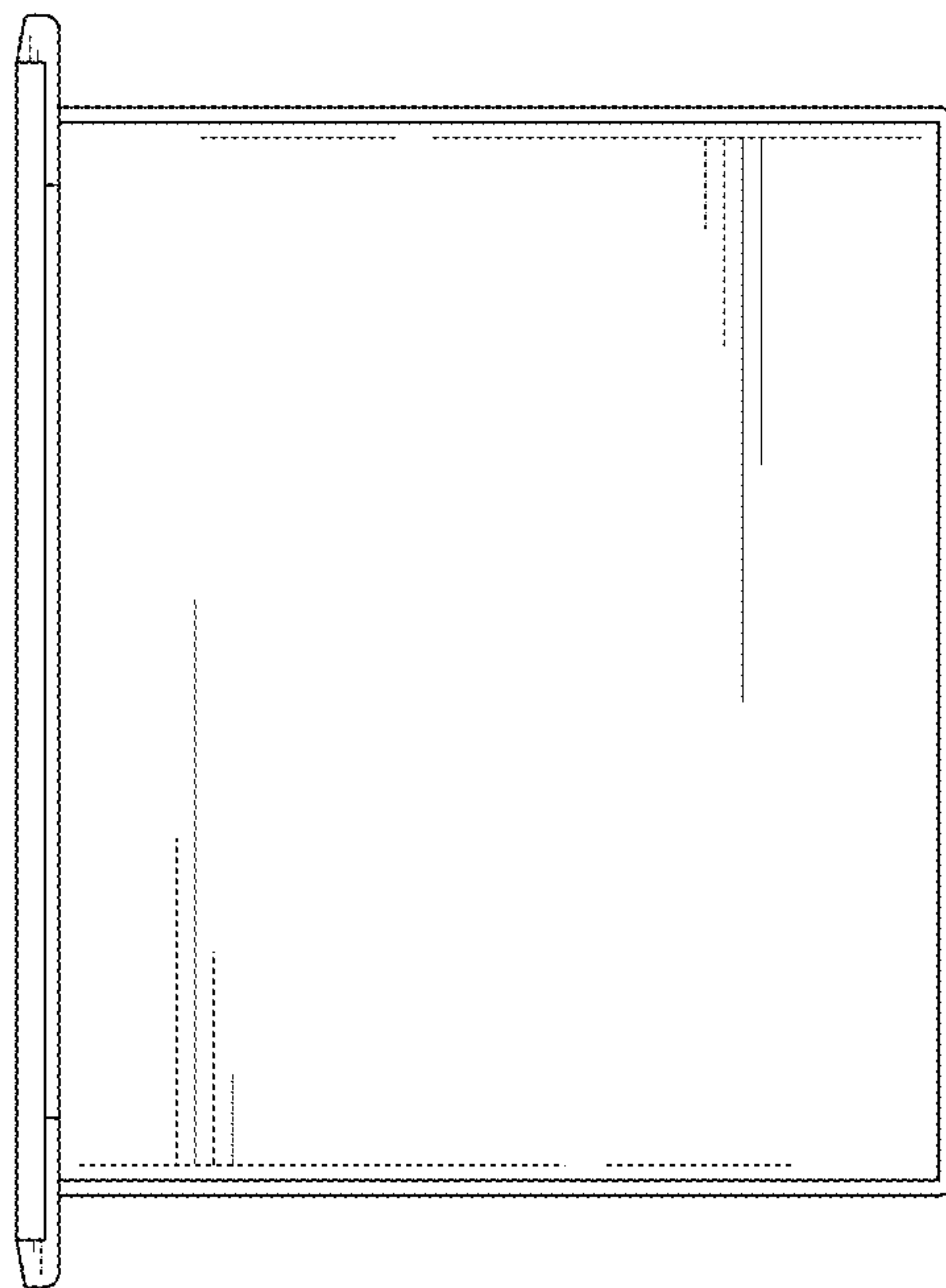


Fig.5

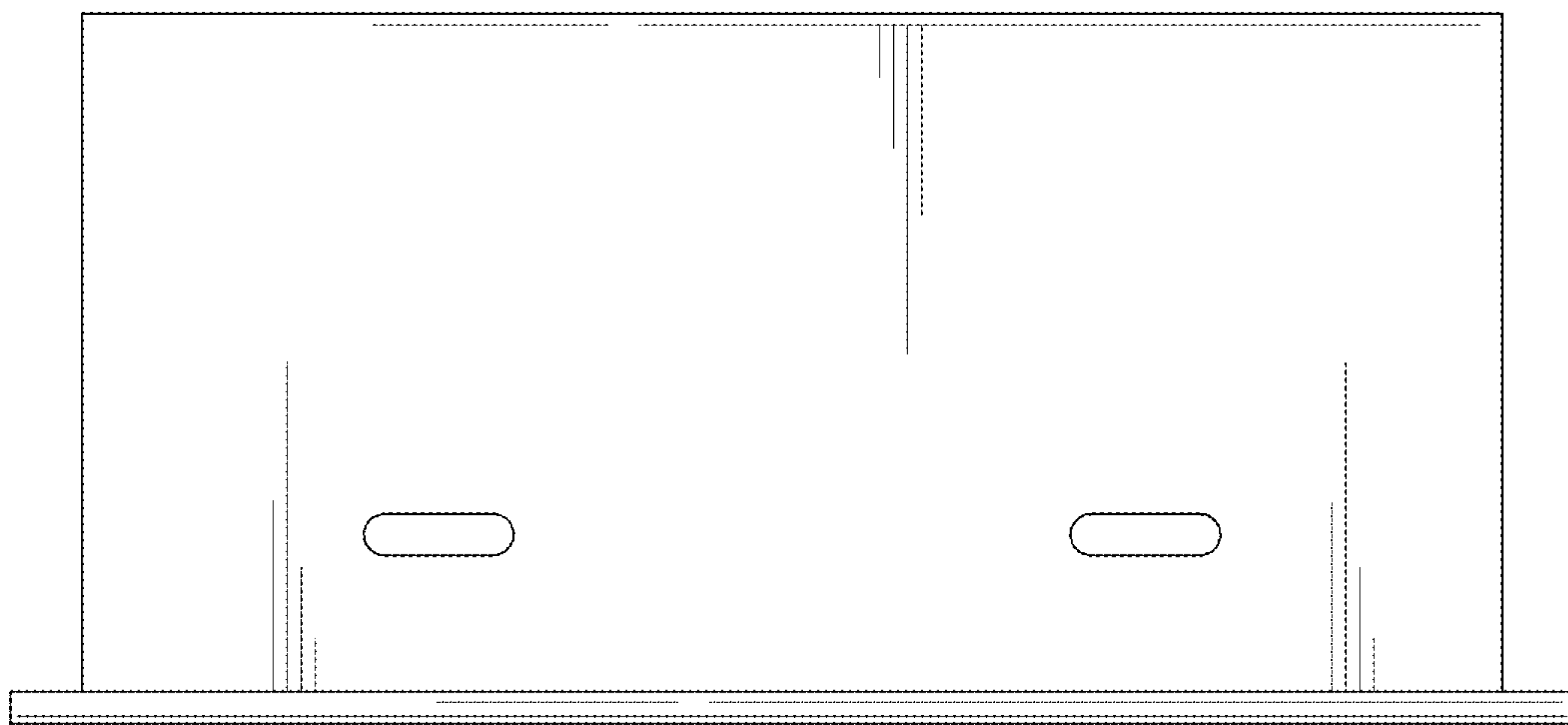


Fig.6

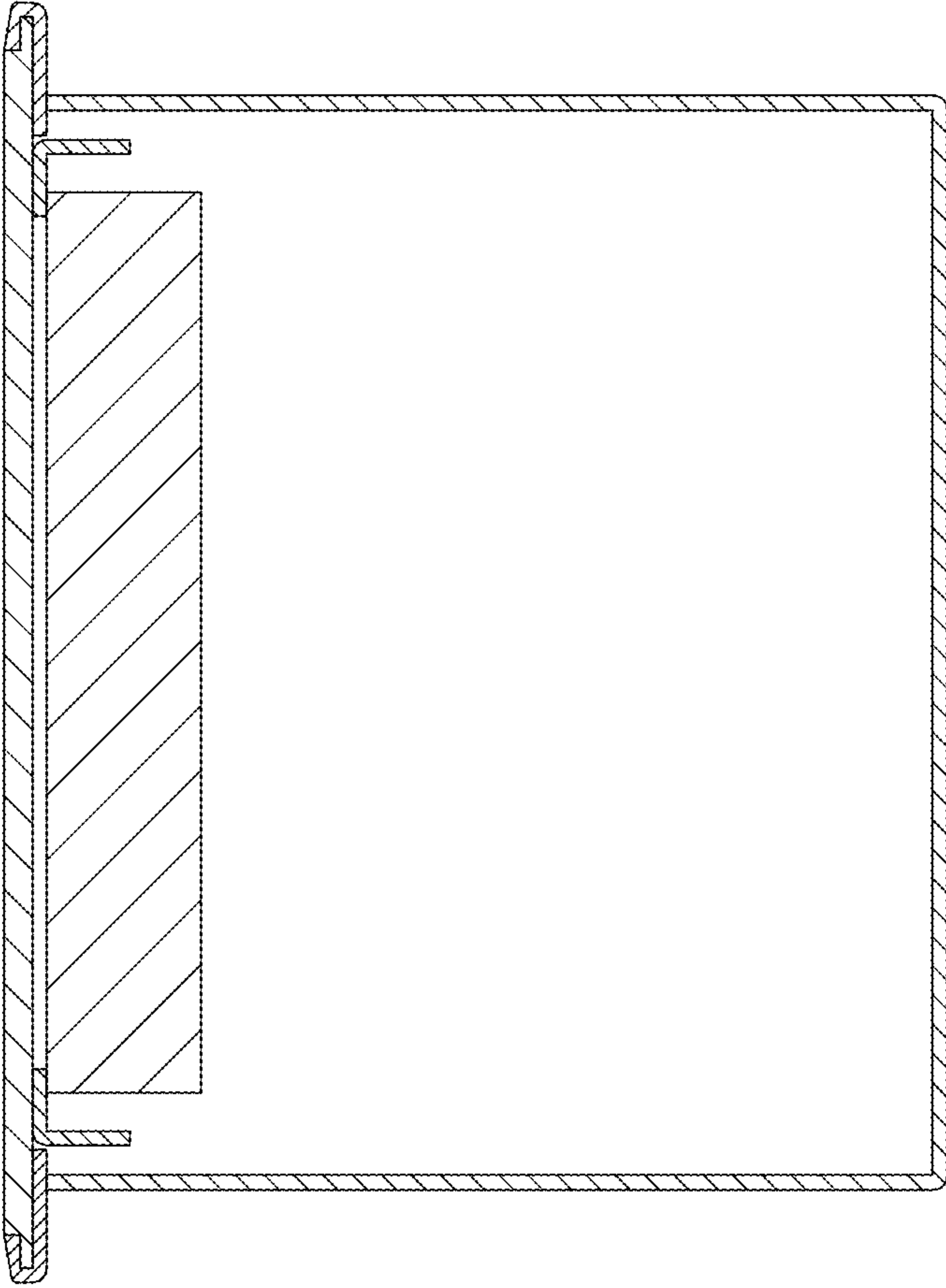


Fig.7

