



US00D974935S

(12) **United States Design Patent**
Ogura

(10) **Patent No.:** **US D974,935 S**
(45) **Date of Patent:** **** Jan. 10, 2023**

(54) **INDICATOR FOR ELEVATOR**

FOREIGN PATENT DOCUMENTS

(71) Applicant: **Mitsubishi Electric Corporation,**
Tokyo (JP)

JP 1404479 S 1/2011
KR 30-0820212 S 10/2015

(72) Inventor: **Toshihisa Ogura,** Tokyo (JP)

OTHER PUBLICATIONS

(73) Assignee: **Mitsubishi Electric Corporation,**
Tokyo (JP)

Elfresh elevator renewal general catalog; Elevator actuator design; p. 24; National Center for Industrial Property Information and Training accepted on Feb. 6, 2015; (Public document No. HC27002419, Design Division, Japan Patent Office).

(**) Term: **15 Years**

An Office Action mailed by the Japanese Patent Office dated Dec. 15, 2020, which corresponds to Japanese Design Application No. 2020-010595 and is related to Design U.S. Appl. No. 29/754,854 with English language translation.

(21) Appl. No.: **29/754,854**

(22) Filed: **Oct. 15, 2020**

* cited by examiner

(30) **Foreign Application Priority Data**

May 29, 2020 (JP) 2020-010595 D

Primary Examiner — George D. Kirschbaum

(51) **LOC (14) Cl.** **10-05**

(74) *Attorney, Agent, or Firm* — Studebaker & Brackett PC

(52) **U.S. Cl.**
USPC **D10/108**

(58) **Field of Classification Search**
USPC D10/108, 106.95; D14/307, 491;
D13/164, 174
See application file for complete search history.

(57) **CLAIM**

The ornamental design for an indicator for elevator, as shown and described.

(56) **References Cited**

DESCRIPTION

U.S. PATENT DOCUMENTS

- D67,375 S * 5/1925 Van Bloem D26/30
- D155,871 S * 11/1949 Broun et al. D10/108
- D186,890 S * 12/1959 Broun D10/108
- D317,137 S * 5/1991 Kulikowski D10/108
- D365,775 S * 1/1996 Raymond D10/108
- D405,775 S * 2/1999 Newton D14/491
- D406,829 S * 3/1999 Newton D14/491
- D425,738 S * 5/2000 Lubowicz D6/520
- D551,179 S * 9/2007 Mayo D13/164
- D583,778 S * 12/2008 Ohlert D13/174
- D584,244 S * 1/2009 Ohlert D13/174
- D587,215 S * 2/2009 Ohlert D13/174
- D591,693 S * 5/2009 Ohlert D13/174
- D721,661 S * 1/2015 Lofberg D13/174
- D915,513 S * 4/2021 Näs D20/8

FIG. 1. is a perspective view of the front, right, and top sides of an indicator for elevator as viewed from a front showing my new design;

FIG. 2. is a front view thereof;

FIG. 3. is a rear view thereof;

FIG. 4. is a right side view thereof; a left side view being a mirror image thereof;

FIG. 5. is a top plan view thereof; a bottom plan view being a mirror image thereof;

FIG. 6. is an enlarged end view of cutting part at 6-6 in FIG. 2 omitting the internal mechanism; and,

FIG. 7. is a reference view showing in use thereof.

The broken lines in FIG. 7 represent environment and forms no part of the claimed design.

1 Claim, 7 Drawing Sheets

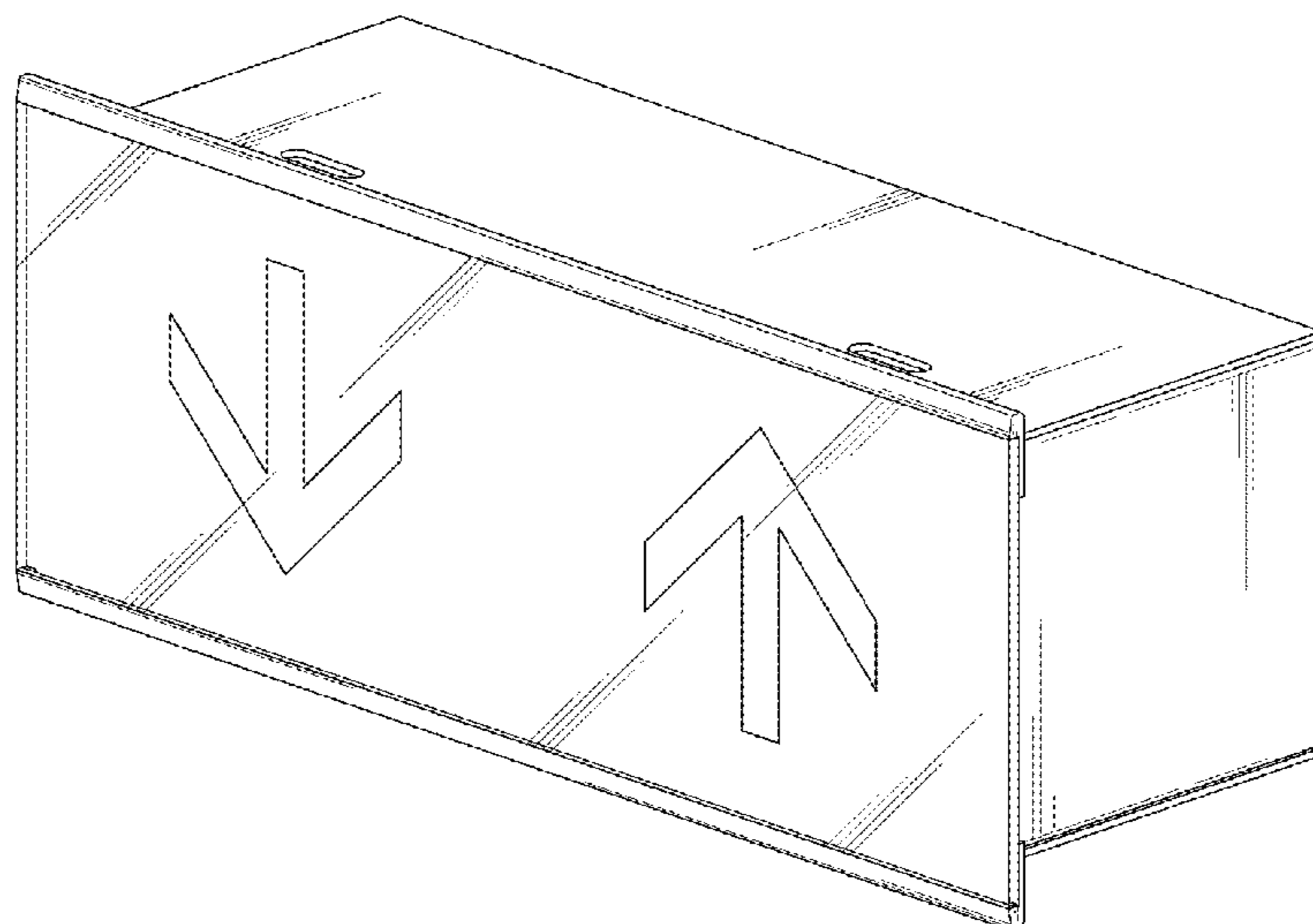


Fig.1

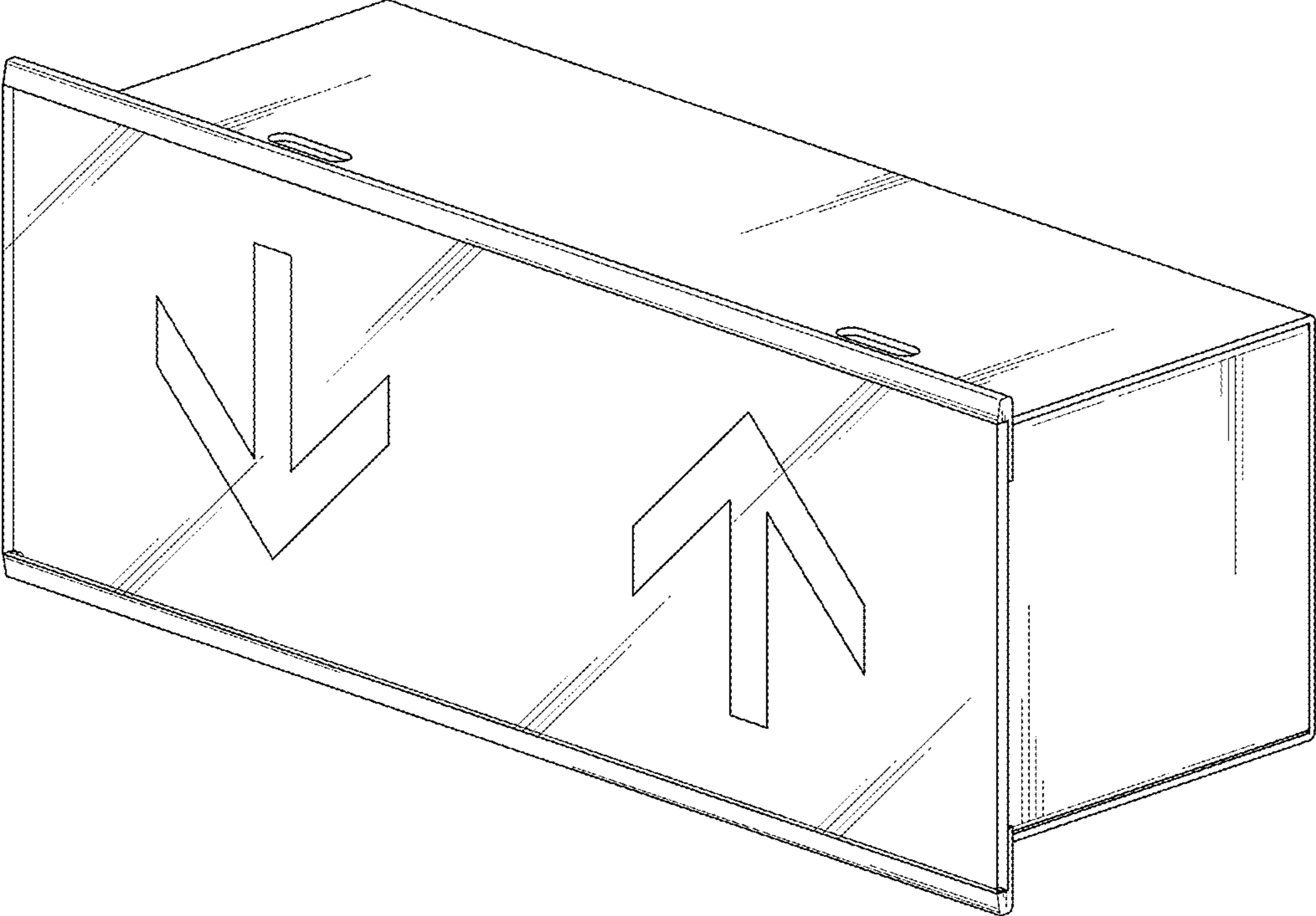


Fig.2

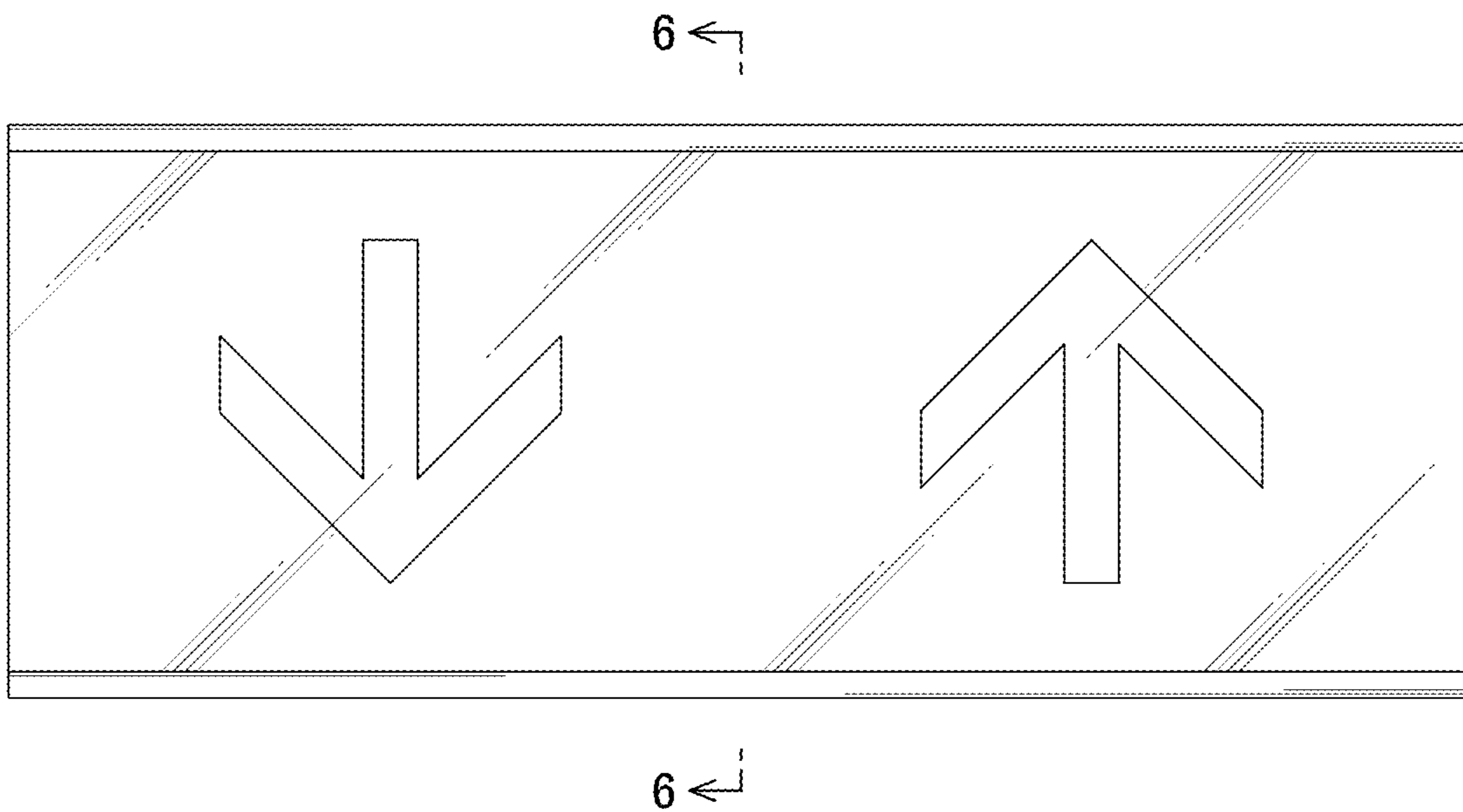


Fig.3

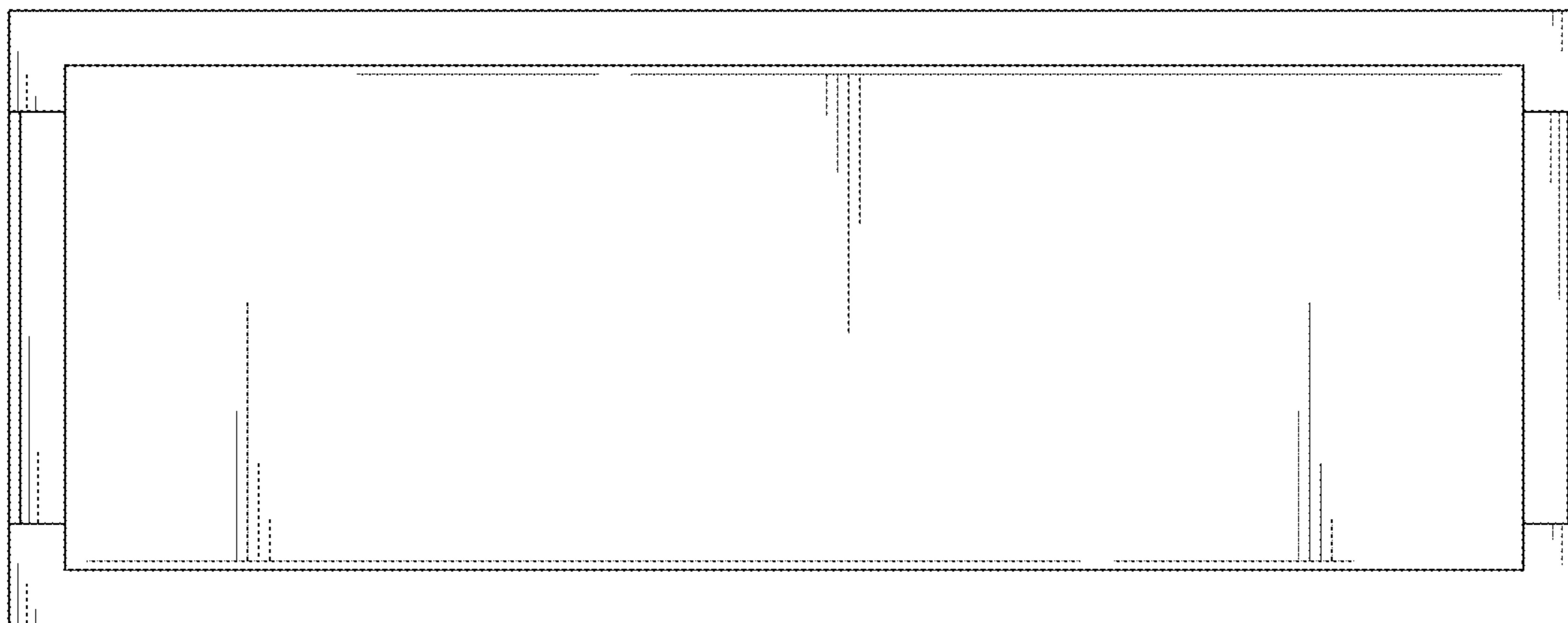


Fig.4

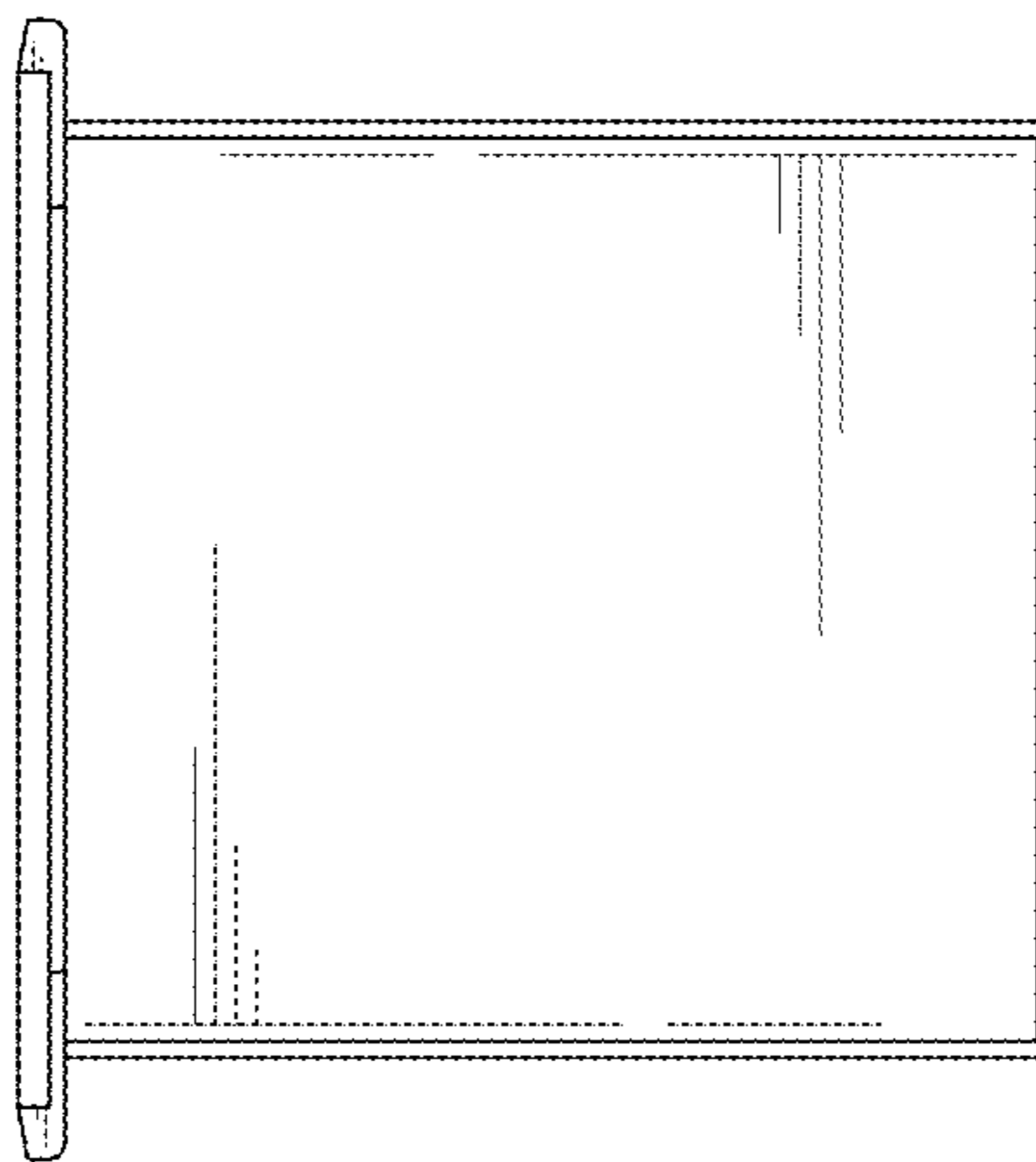


Fig.5

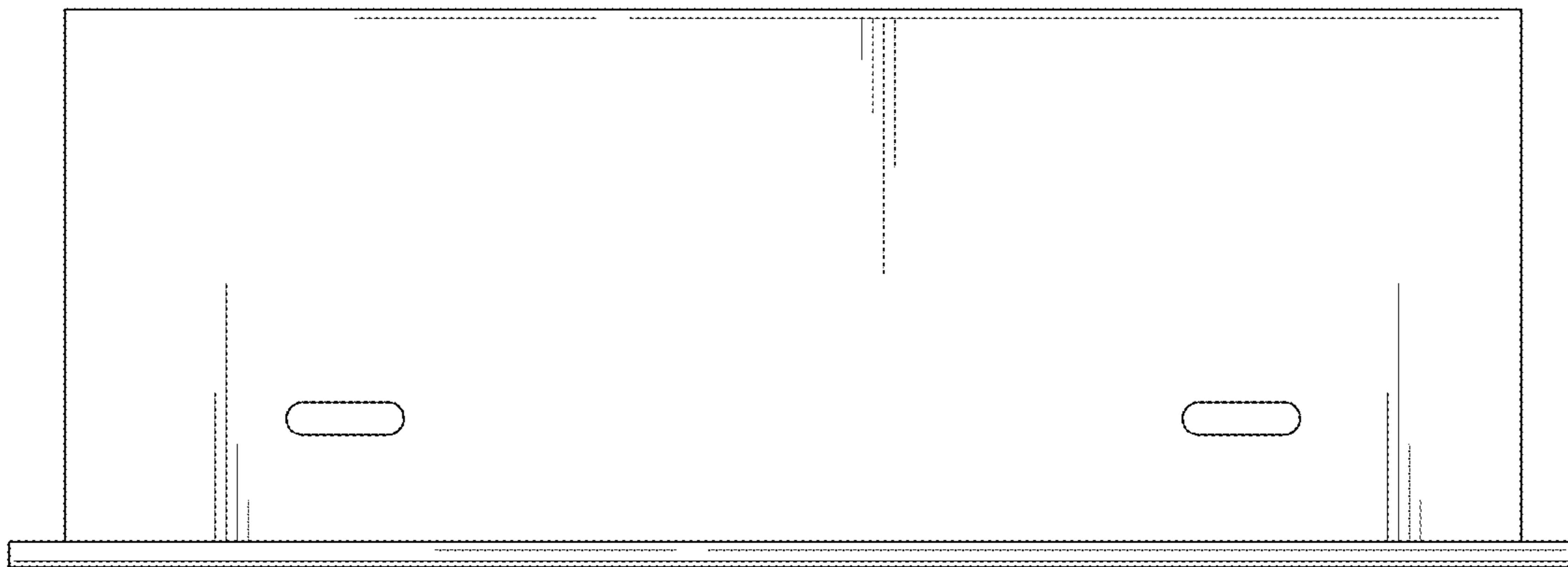


Fig.6

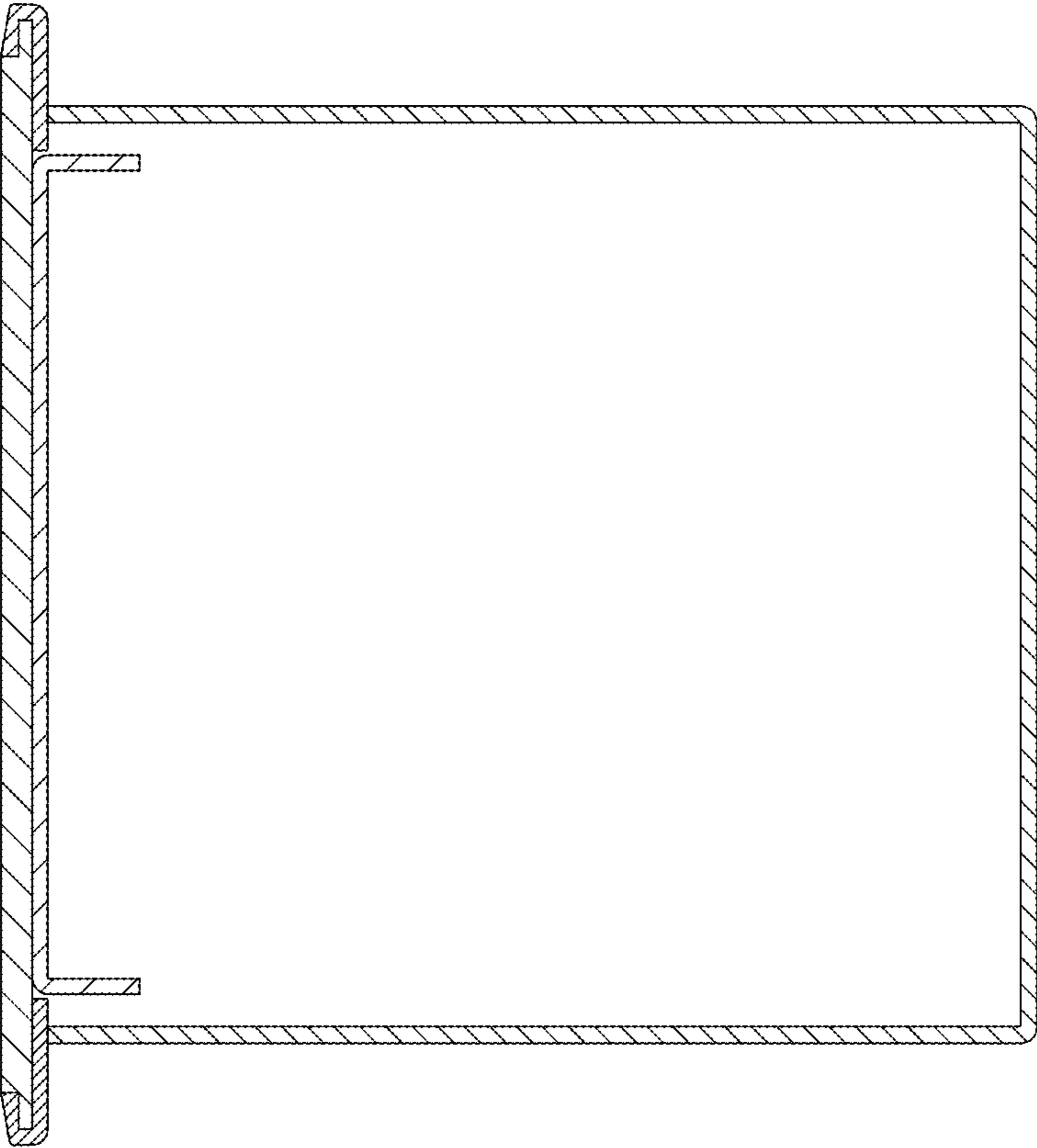


Fig.7

