



US00D974932S

(12) **United States Design Patent**
Li

(10) **Patent No.:** **US D974,932 S**
(45) **Date of Patent:** **** Jan. 10, 2023**

(54) **KEY FINDER**

(71) Applicant: **Jiahao Li**, Shenzhen (CN)

(72) Inventor: **Jiahao Li**, Shenzhen (CN)

(**) Term: **15 Years**

(21) Appl. No.: **29/694,565**

(22) Filed: **Jun. 11, 2019**

(51) **LOC (14) Cl.** **10-05**

(52) **U.S. Cl.**
USPC **D10/104.1**

(58) **Field of Classification Search**
USPC D10/104.1, 104.2; D14/135, 137, 139,
D14/155, 157, 188, 191, 197, 198, 217,
D14/218, 299
CPC . H04B 1/02; H04B 1/03; H04B 1/034; H04B
1/0343; H04B 1/0346
See application file for complete search history.

(56) **References Cited**

U.S. PATENT DOCUMENTS

D363,718 S	*	10/1995	Hedeen	D14/187
D375,057 S	*	10/1996	Heun	D14/218
D375,696 S	*	11/1996	Seki	D14/218
D415,704 S	*	10/1999	Carroll	D10/104.1
D487,065 S	*	2/2004	Murray	D13/168

D514,527 S	*	2/2006	DiPasquale	D13/168
D515,954 S	*	2/2006	Crosby	D10/104.1
D528,512 S	*	9/2006	Li	D13/168
D569,289 S	*	5/2008	Bender	D10/104.1
D577,302 S	*	9/2008	Bender	D10/104.1
D599,323 S	*	9/2009	Petersen	D14/191
D670,255 S	*	11/2012	Clark	D13/168
D708,974 S	*	7/2014	Dauwalter, III	D10/104.1
D822,643 S	*	7/2018	Chen	D14/218
D868,607 S	*	12/2019	Li	D14/218
D899,382 S	*	10/2020	Dong	D13/168
D907,589 S	*	1/2021	Houdek	D13/168

* cited by examiner

Primary Examiner — Joseph Kukella

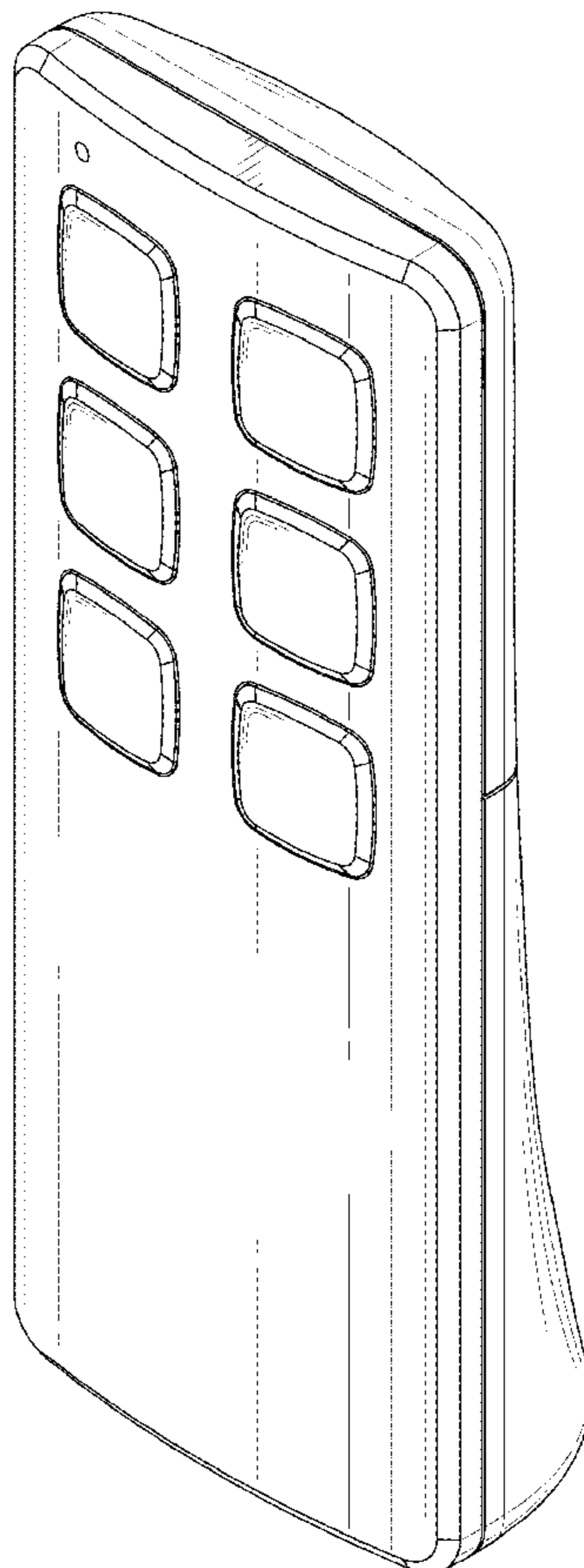
(57) **CLAIM**

The ornamental design for a key finder, as shown and described.

DESCRIPTION

FIG. 1 is a perspective view of a key finder showing my new design;
FIG. 2 is another perspective view thereof;
FIG. 3 is a front view thereof;
FIG. 4 is a rear view thereof;
FIG. 5 is a left side view thereof;
FIG. 6 is a right side view thereof;
FIG. 7 is a top plan view thereof; and,
FIG. 8 is a bottom plan view thereof.

1 Claim, 8 Drawing Sheets



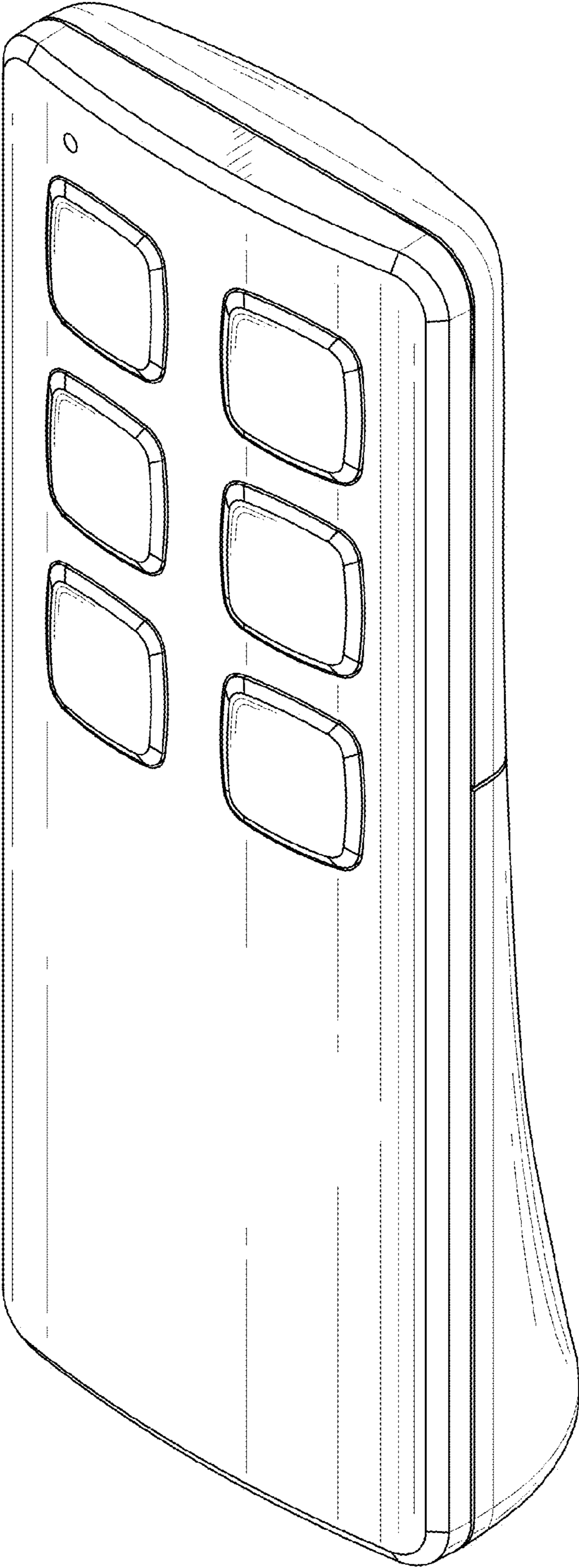


FIG. 1

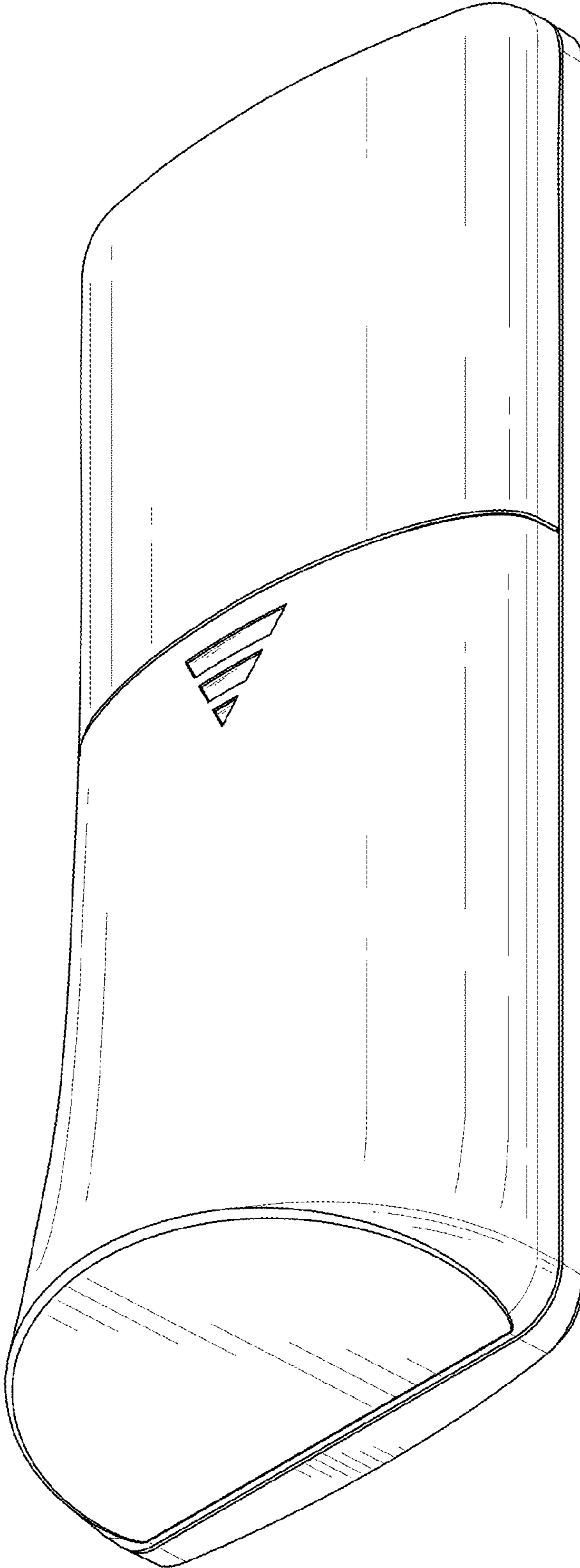


FIG. 2

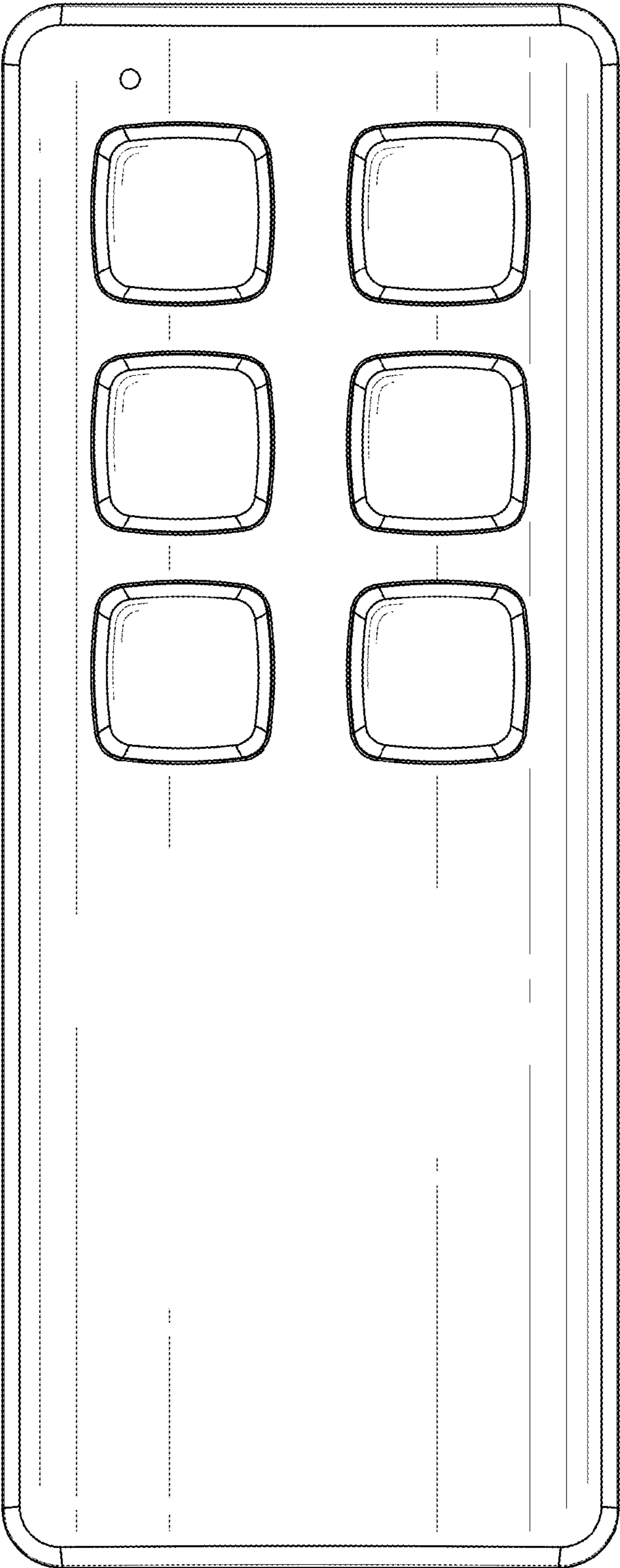


FIG. 3

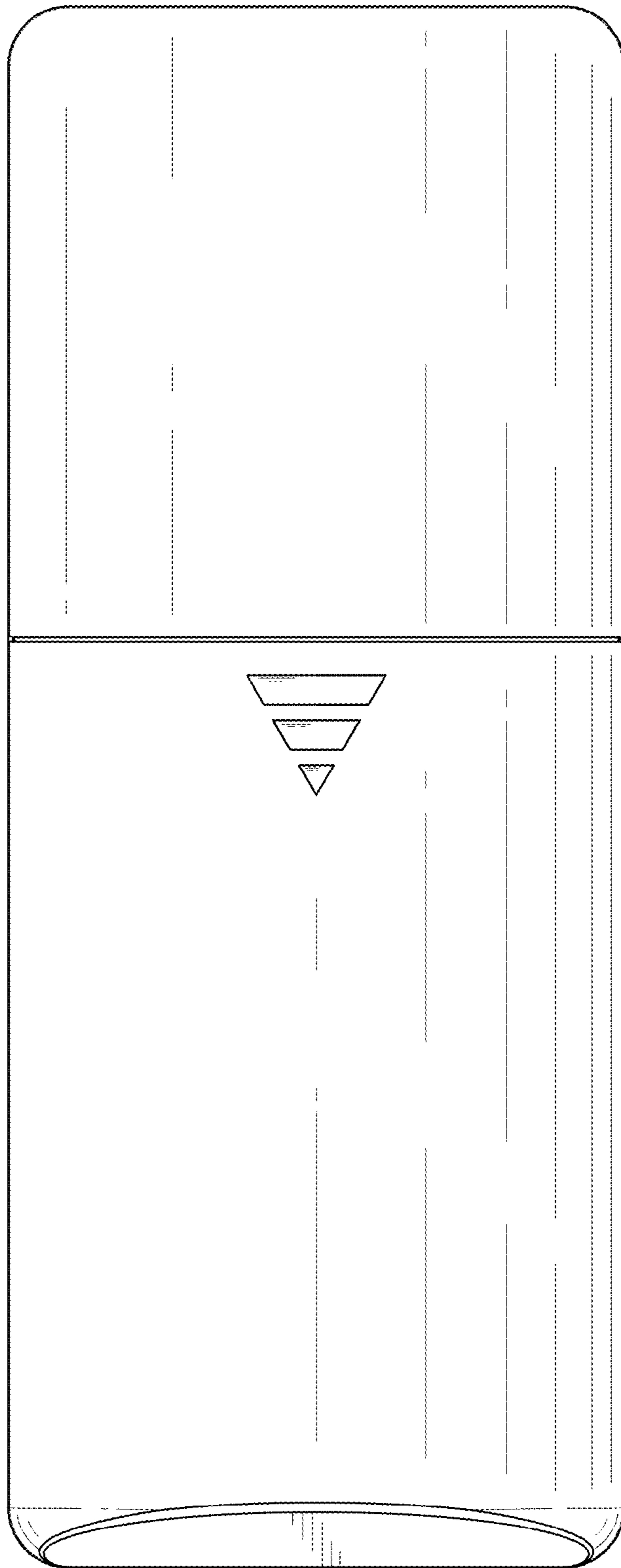


FIG. 4

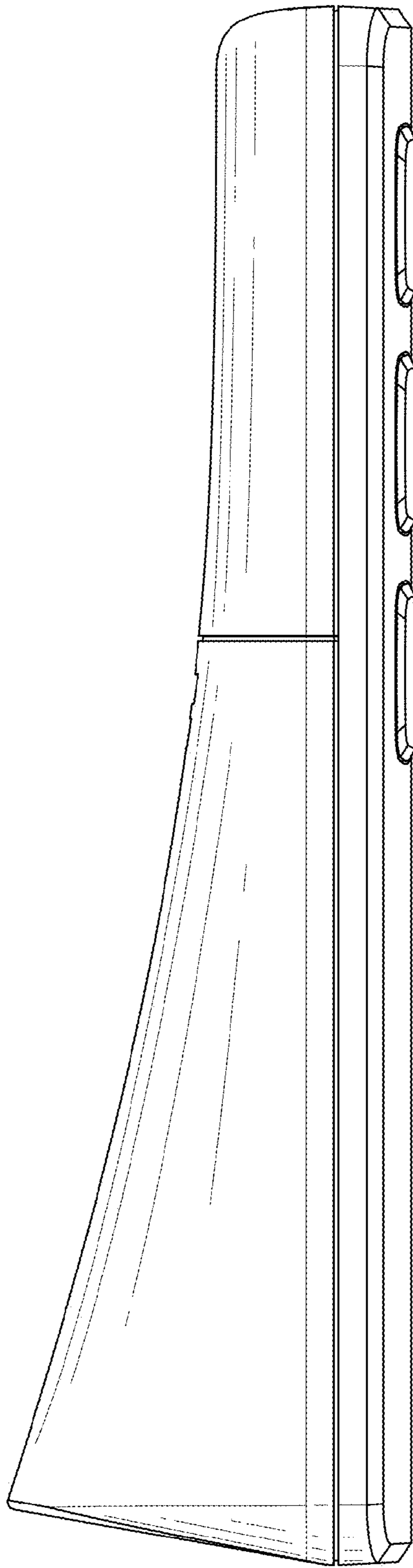


FIG. 5

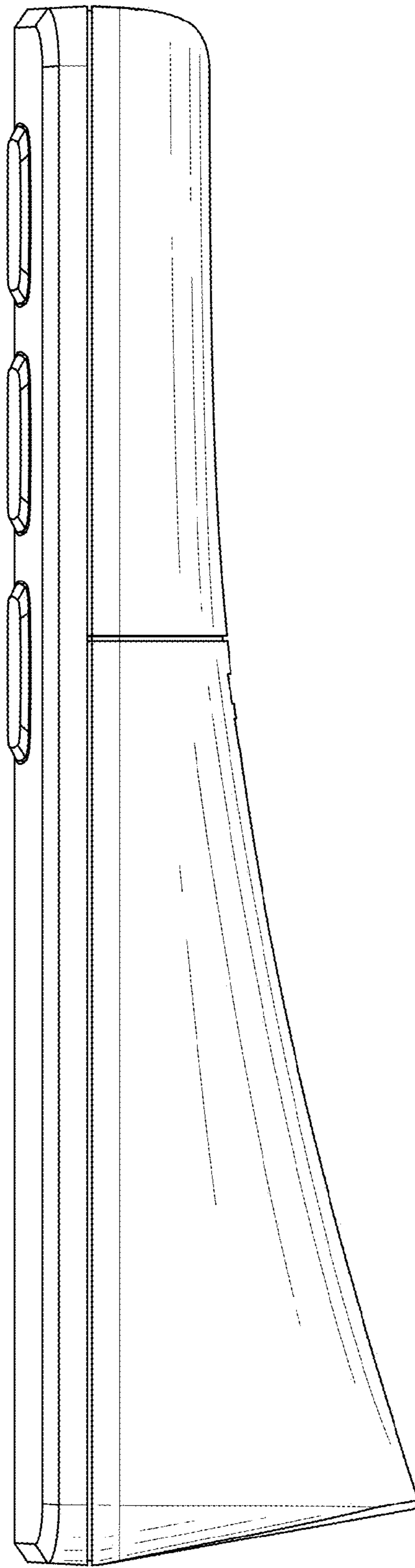


FIG. 6

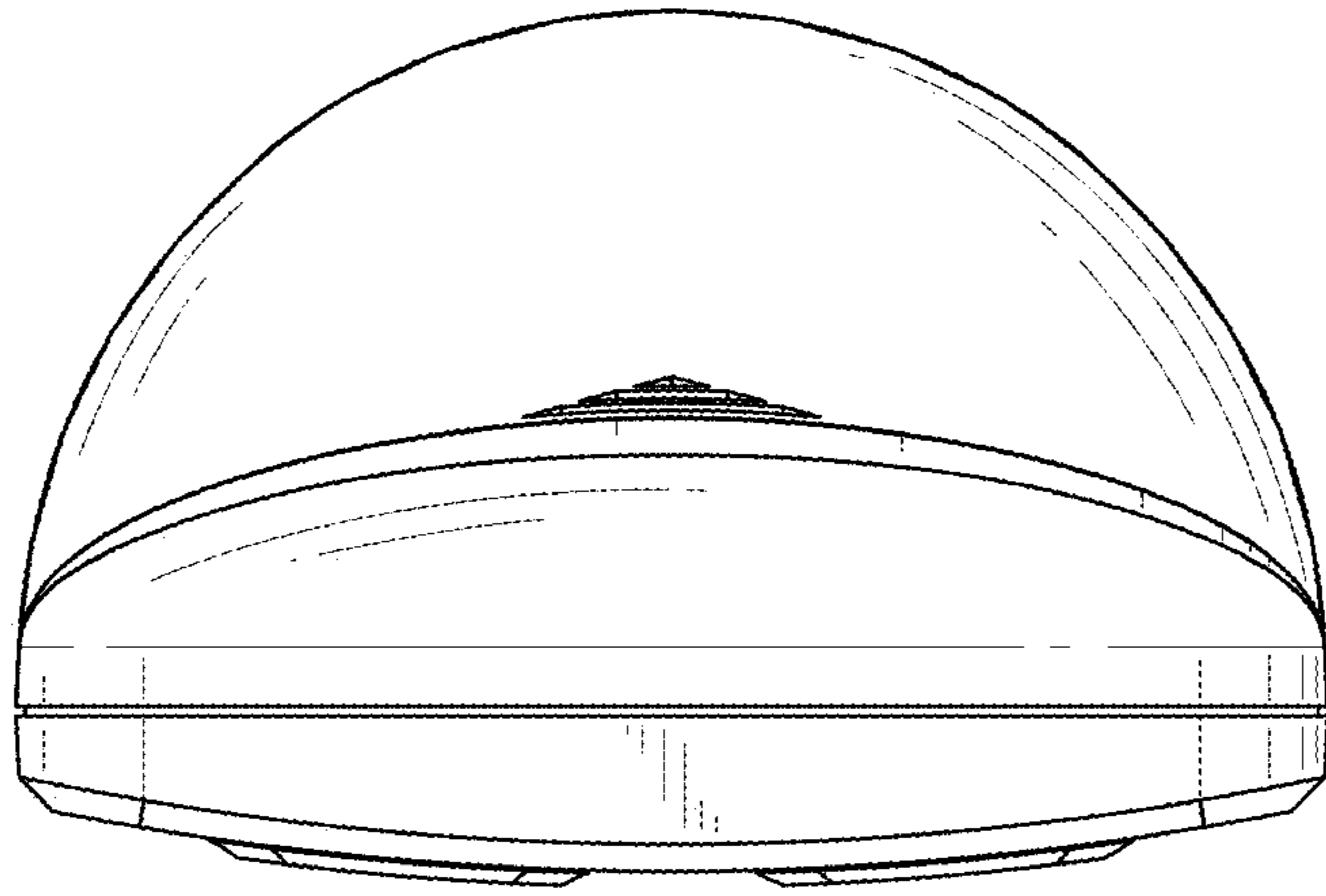


FIG. 7

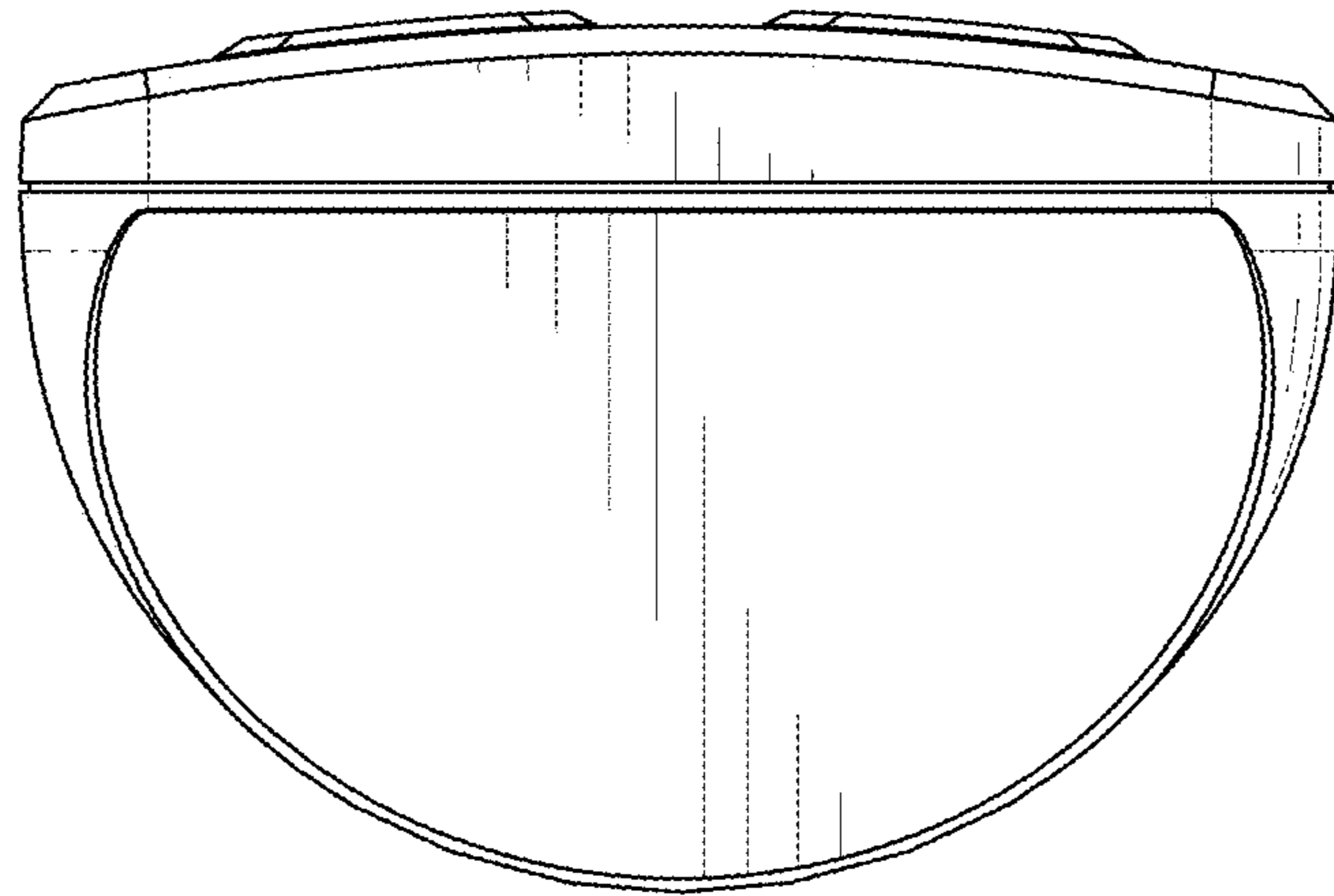


FIG. 8