



US00D974931S

(12) **United States Design Patent**
Shavlik et al.

(10) **Patent No.:** **US D974,931 S**

(45) **Date of Patent:** **** Jan. 10, 2023**

(54) **BUOYANT INDICATOR**

(71) Applicants: **Mark Shavlik**, White Bear Lake, MN (US); **Sean Wagner**, White Bear Lake, MN (US)

(72) Inventors: **Mark Shavlik**, White Bear Lake, MN (US); **Sean Wagner**, White Bear Lake, MN (US)

(**) Term: **15 Years**

(21) Appl. No.: **29/717,038**

(22) Filed: **Dec. 13, 2019**

(51) **LOC (14) Cl.** **10-05**

(52) **U.S. Cl.**
USPC **D10/101; D10/65**

(58) **Field of Classification Search**
USPC D10/96-103, 65-80, 61; D13/199, 164, D13/102, 108, 107; D8/354
CPC . A45B 11/00; A45B 25/00; A45B 2023/0006; A45B 2025/003; B63B 22/16; B63B 22/00; B63B 22/24; B63B 22/02; B63B 22/22; B63B 2022/006; B63B 21/22; B63B 2021/222; G05D 1/0206; G05D 1/0088; G01N 33/1886; B63G 8/001
See application file for complete search history.

(56) **References Cited**

U.S. PATENT DOCUMENTS

3,397,117	A *	8/1968	Smith	B63C 9/06
					52/2.21
3,733,629	A *	5/1973	Beaubien	B63B 5/24
					441/1
3,877,096	A *	4/1975	Scesney	B63C 9/20
					52/2.21
D315,186	S *	3/1991	Peterson	D21/803
D445,721	S *	7/2001	McLeish	D11/131.1

(Continued)

FOREIGN PATENT DOCUMENTS

CN 300813778 * 6/2007
CN 301446274 * 7/2010

(Continued)

OTHER PUBLICATIONS

Generic, Inflatable Floating 0.7mm PVC Swimming Water Barrier Racing Marker Pyramid Triange Buoy/Pump, Date first available Nov. 5, 2019, [online]retrieved Mar. 23, 2022,available from <https://www.amazon.com/Inflatable-Floating-Swimming-Barrier-Pyramid/dp/B08129TMCS> (Year: 2019).*

Primary Examiner — Keli L Hill

Assistant Examiner — Sara S Sahneh

(74) *Attorney, Agent, or Firm* — Merchant & Gould P.C.

(57) **CLAIM**

The ornamental design for a buoyant indicator, as shown and described.

DESCRIPTION

FIG. 1 is a perspective view of a buoyant indicator, showing our new design.

FIG. 2 is a front plan view of the buoyant indicator of FIG. 1.

FIG. 3 is a rear side plan view of the buoyant indicator of FIG. 1.

FIG. 4 is a right side plan view of the buoyant indicator of FIG. 1.

FIG. 5 is a left side plan view of the buoyant indicator of FIG. 1.

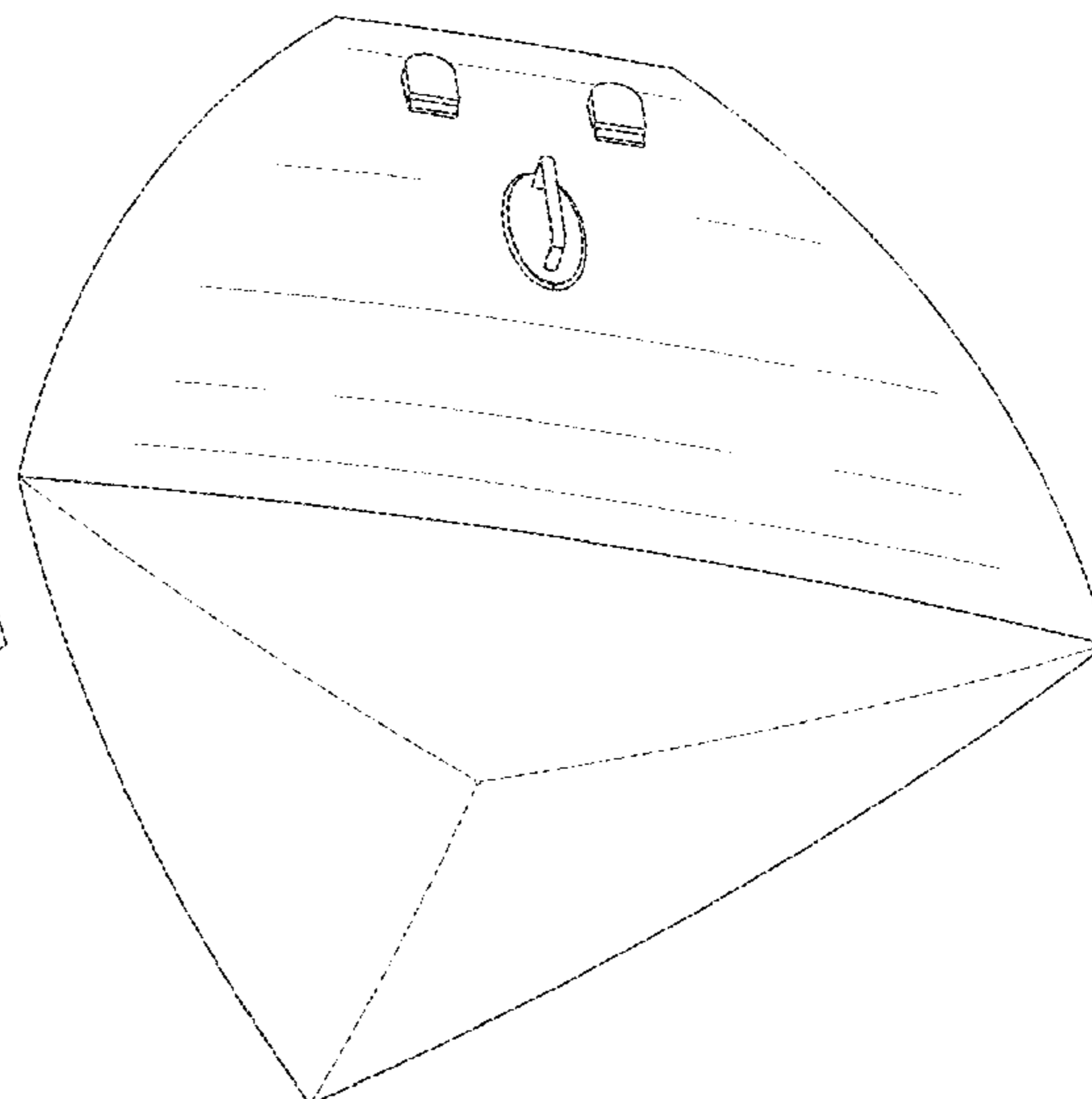
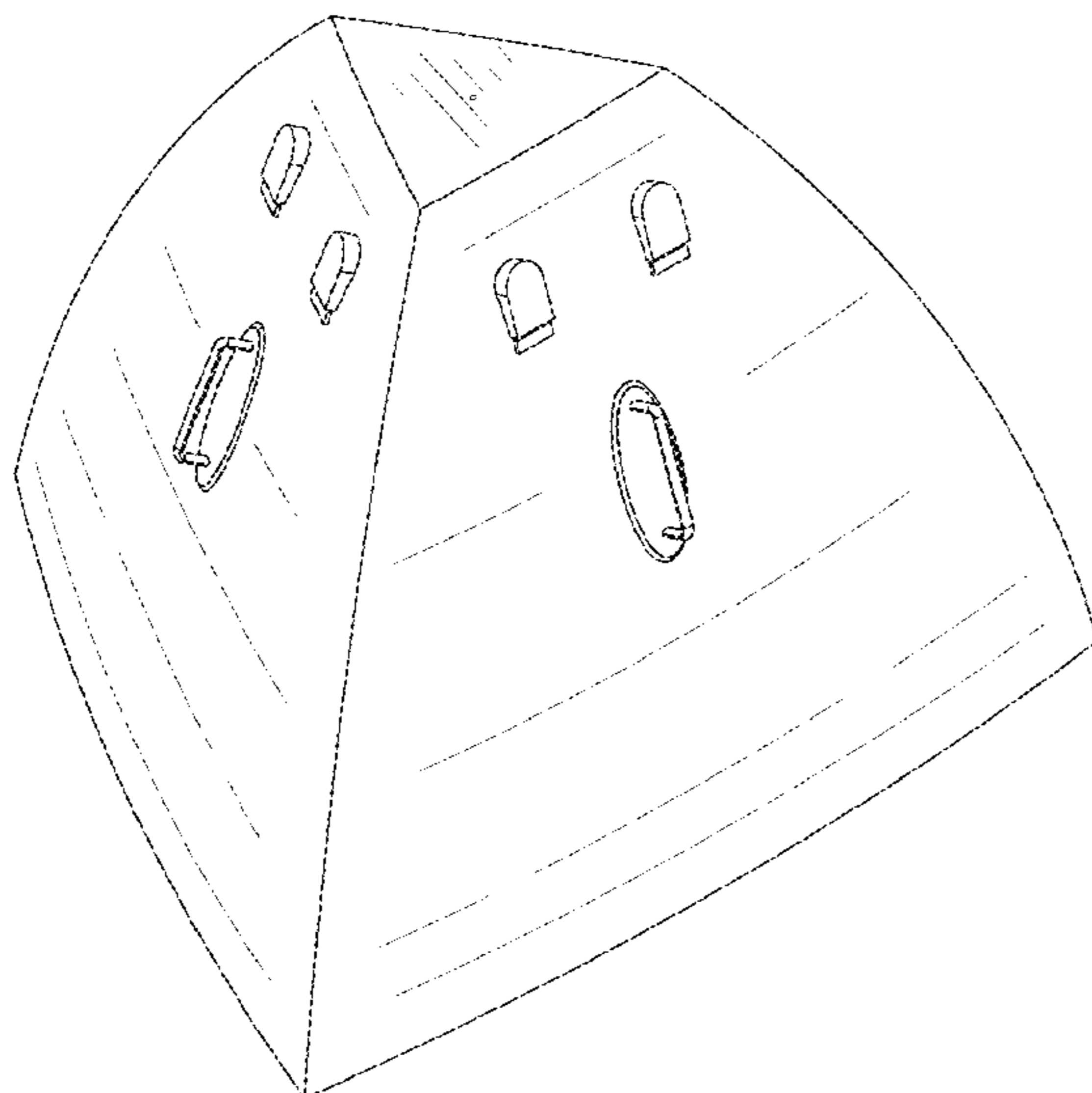
FIG. 6 is a top view of the buoyant indicator of FIG. 1.

FIG. 7 is a bottom view of the buoyant indicator of FIG. 1; and,

FIG. 8 is a bottom perspective view of the buoyant indicator of FIG. 1.

The broken lines shown are included for the purpose of illustrating portions of the buoyant indicator that form no part of the claim.

1 Claim, 8 Drawing Sheets



(56)

References Cited

U.S. PATENT DOCUMENTS

6,429,447 B1 * 8/2002 Nowak G01F 23/2927
250/573
D632,619 S * 2/2011 Noble D12/160
D660,685 S * 5/2012 Bucci D21/505
D821,990 S * 7/2018 Sung D13/199
D821,991 S * 7/2018 Sung D13/199
D959,303 S * 8/2022 Nagareda D10/65
2004/0050315 A1 * 3/2004 Persson B63B 77/00
114/264
2005/0170718 A1 * 8/2005 Rogerson B63B 22/02
441/3
2008/0272600 A1 * 11/2008 Olson F03B 13/1815
60/497

FOREIGN PATENT DOCUMENTS

CN 305580234 * 1/2020
CN 306493674 * 10/2020
JP D1184056 * 9/2002

* cited by examiner

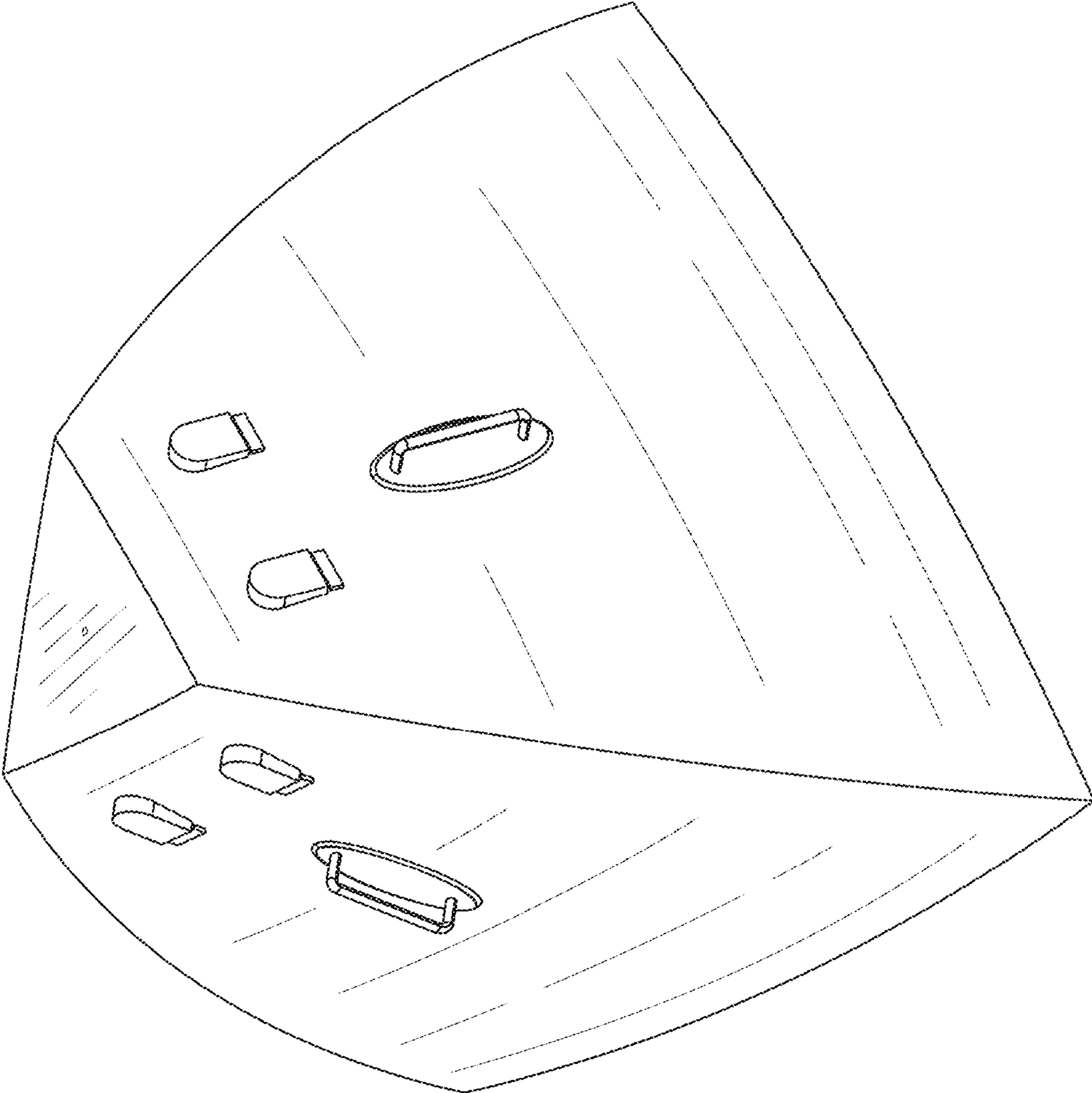


FIG. 1

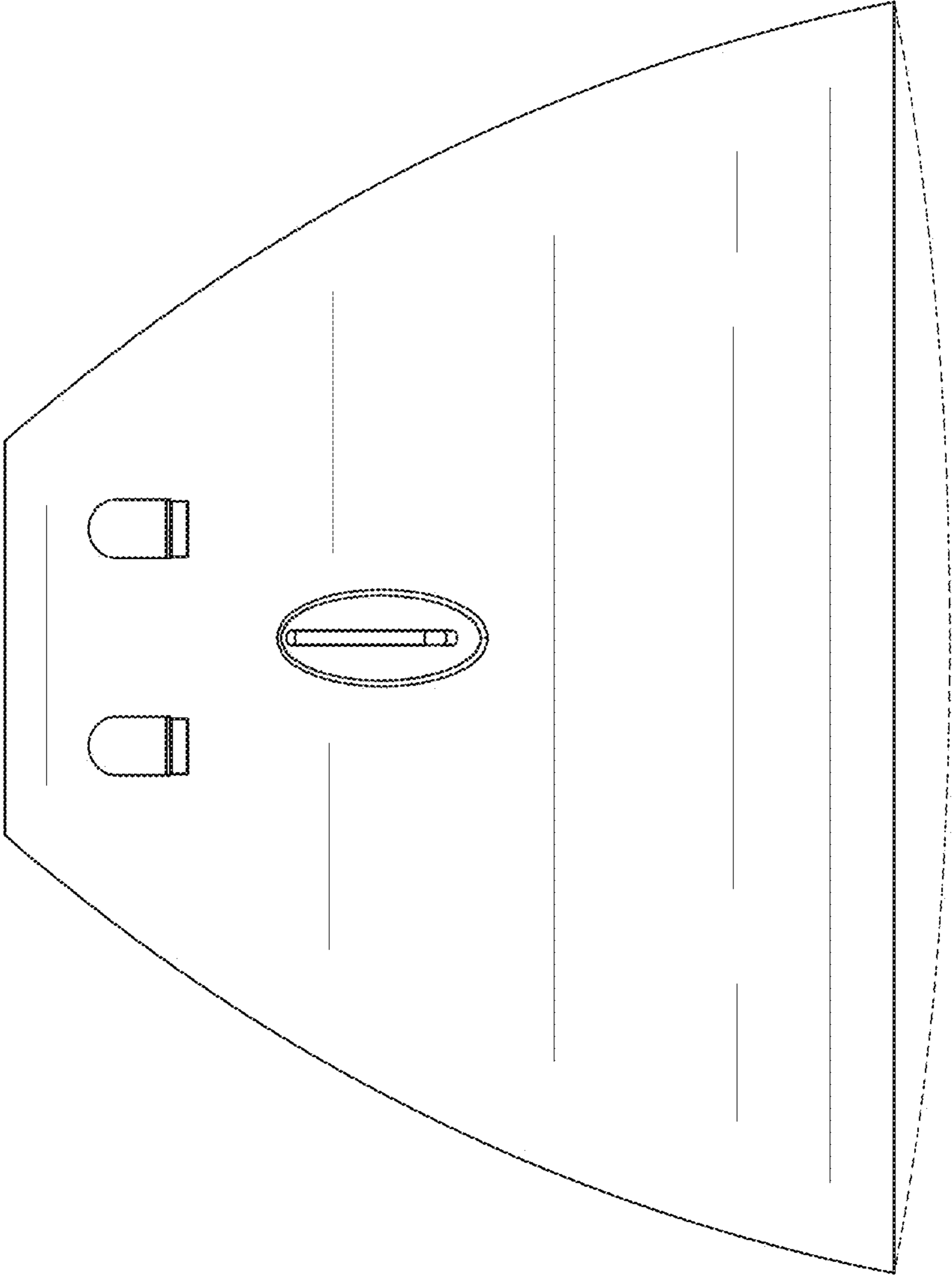


FIG. 2

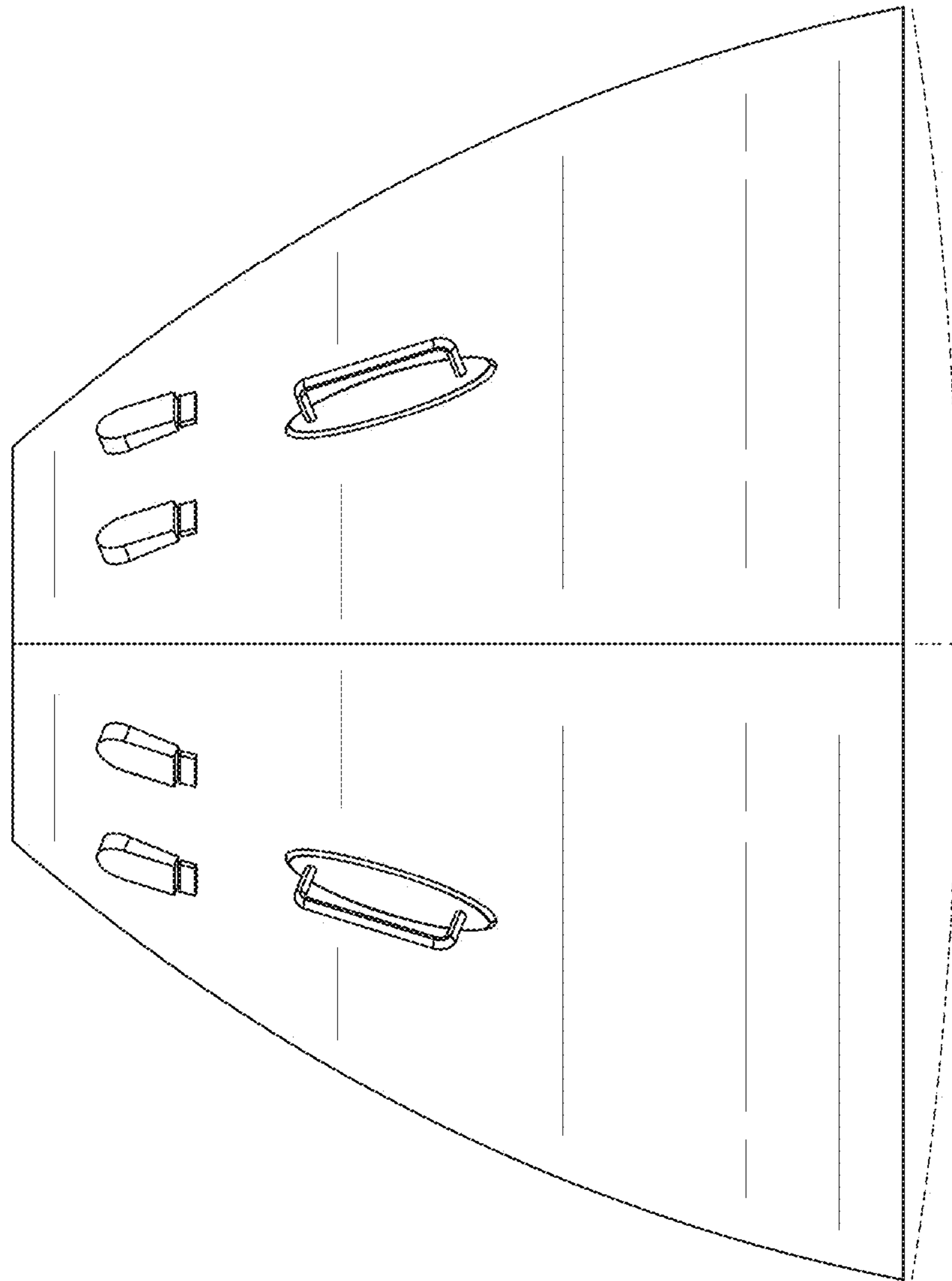


FIG. 3

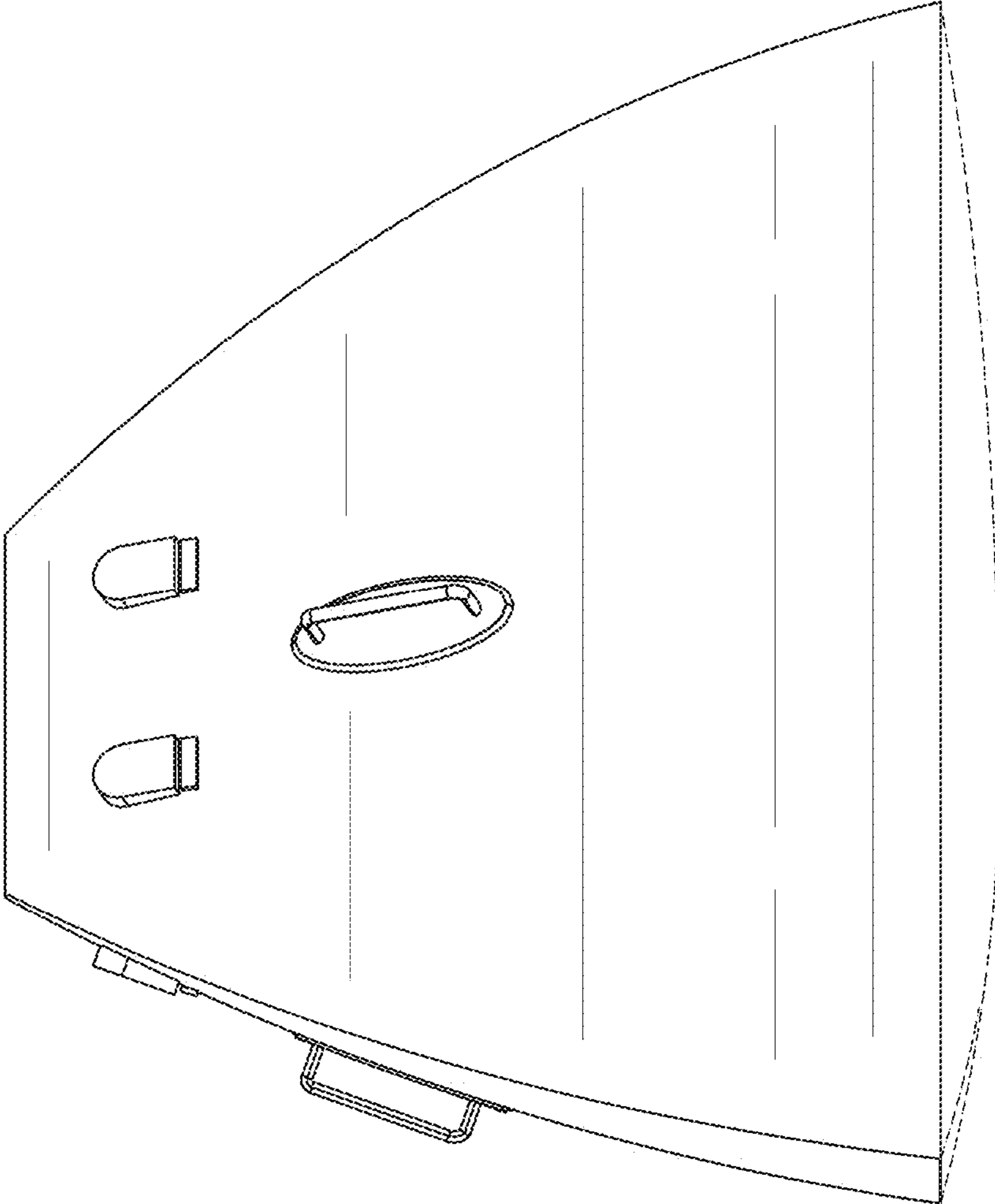


FIG. 4

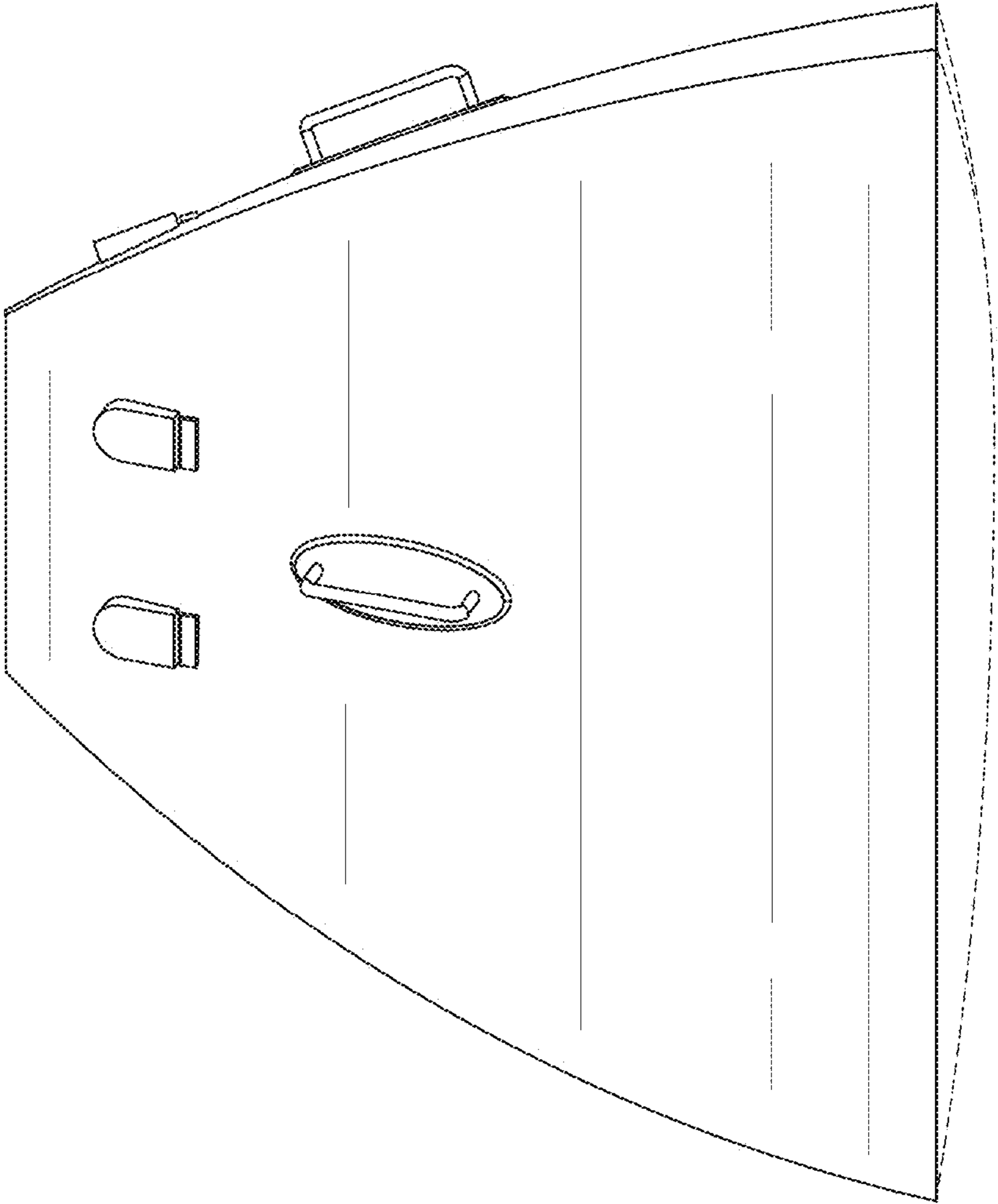


FIG. 5

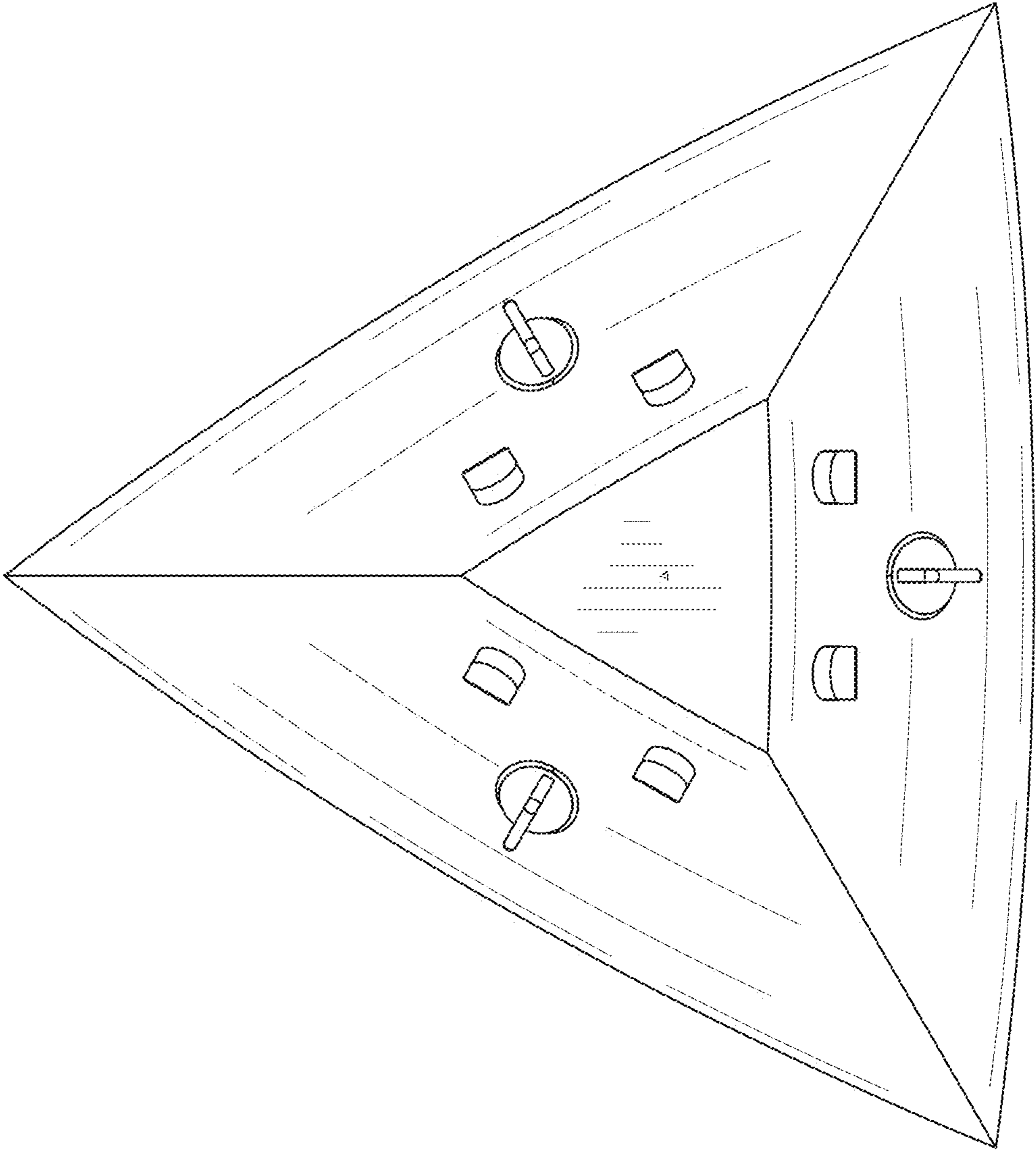


FIG. 6

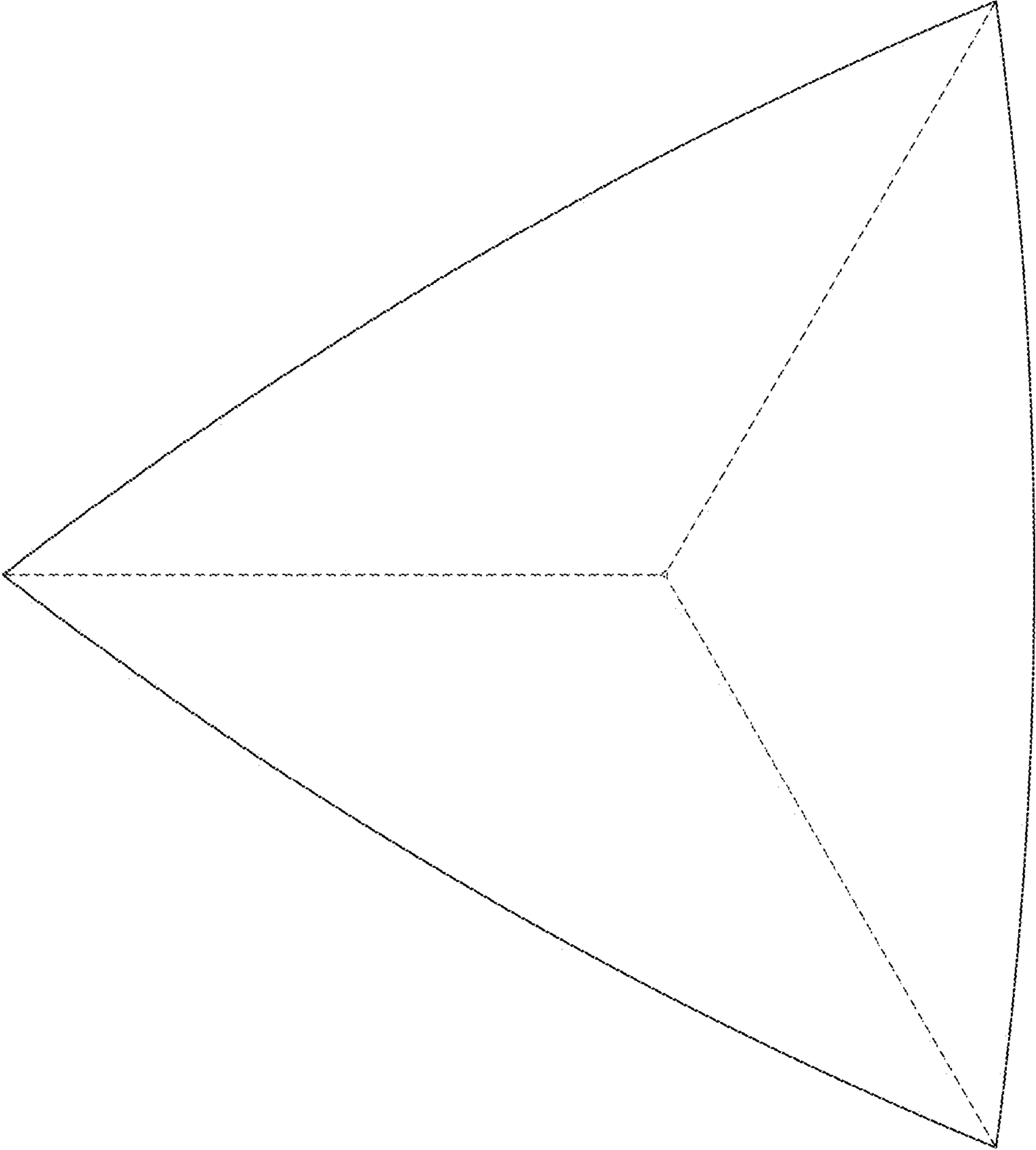


FIG. 7

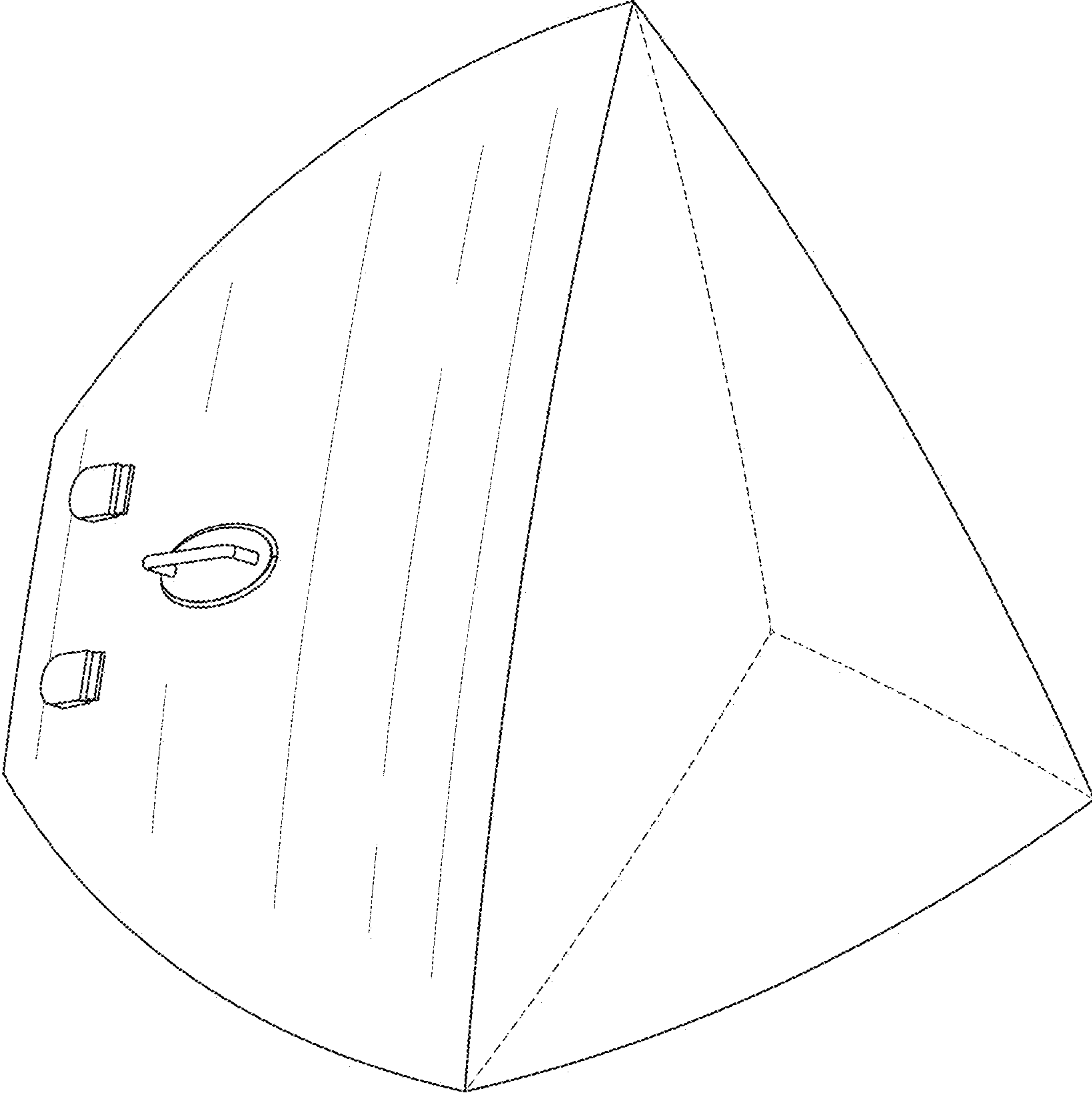


FIG. 8