

US00D974926S

(12) **United States Design Patent**  
**Gao et al.**

(10) **Patent No.:** **US D974,926 S**  
(45) **Date of Patent:** **\*\* Jan. 10, 2023**

(54) **ELECTRONIC THERMOMETER**

(71) Applicant: **Shenzhen AOJ Medical Technology Co., Ltd**, Guangdong (CN)

(72) Inventors: **Yongjie Gao**, Shenzhen (CN); **Jing Xu**, Shenzhen (CN); **Baoshan Yang**, Shenzhen (CN)

(73) Assignee: **Shenzhen AOJ Medical Technology Co., Ltd.**

(\*\*) Term: **15 Years**

(21) Appl. No.: **29/777,172**

(22) Filed: **Apr. 2, 2021**

(51) **LOC (14) Cl.** ..... **10-04**

(52) **U.S. Cl.**  
USPC ..... **D10/57**

(58) **Field of Classification Search**  
USPC ..... D10/57  
CPC ..... G01K 1/08; G01K 13/20; G01K 13/223;  
G01K 13/25; G01K 13/252; G01J 5/04;  
G01J 5/041; G01J 5/042; G01J 5/043;  
G01J 5/044; G01J 5/045; G01J 5/046;  
G01J 5/047; G01J 5/048; G01J 5/049;  
G01J 5/0265

See application file for complete search history.

(56) **References Cited**

U.S. PATENT DOCUMENTS

D583,262	S	*	12/2008	Flandin	.....	D10/57
D666,928	S	*	9/2012	Elrod	.....	D10/57
D932,324	S	*	10/2021	Dai	.....	D10/57
D937,690	S	*	12/2021	Wang	.....	D10/57
D939,976	S	*	1/2022	Luo	.....	D10/57
11,215,509	B2	*	1/2022	Frank	.....	G01J 5/20
D944,664	S	*	3/2022	Yang	.....	D10/57
D949,715	S	*	4/2022	Tan	.....	G01J 5/20 D10/57

\* cited by examiner

*Primary Examiner* — Antoine Duval Davis

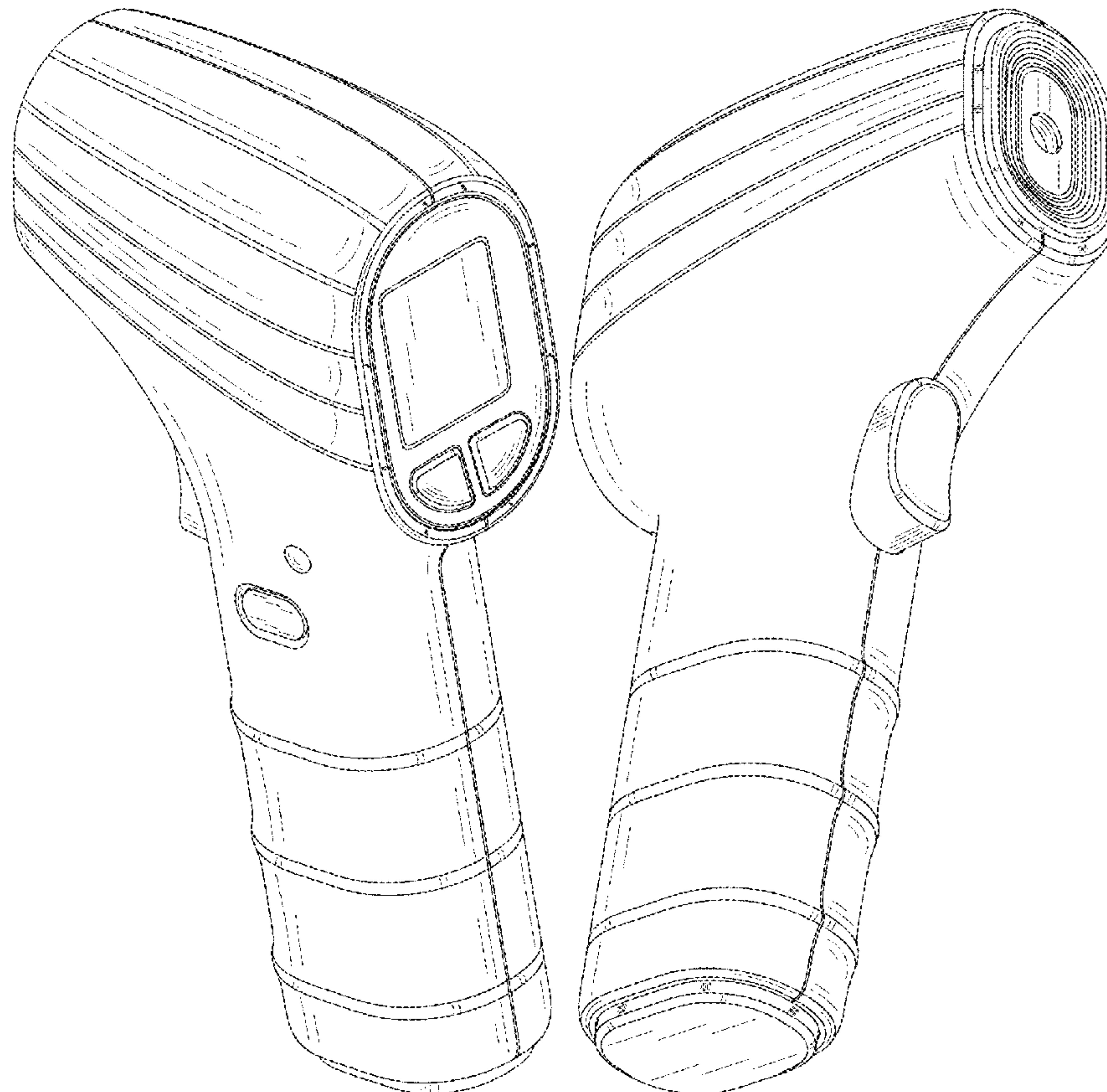
(57) **CLAIM**

The ornamental design for electronic thermometer, as shown and described.

**DESCRIPTION**

FIG. 1 is a front view of the electronic thermometer showing our new design;  
FIG. 2 is a back view thereof;  
FIG. 3 is a left side view thereof;  
FIG. 4 is a right side view thereof;  
FIG. 5 is a top view thereof;  
FIG. 6 is a bottom view thereof;  
FIG. 7 is a perspective view thereof; and,  
FIG. 8 is another perspective view thereof.

**1 Claim, 8 Drawing Sheets**



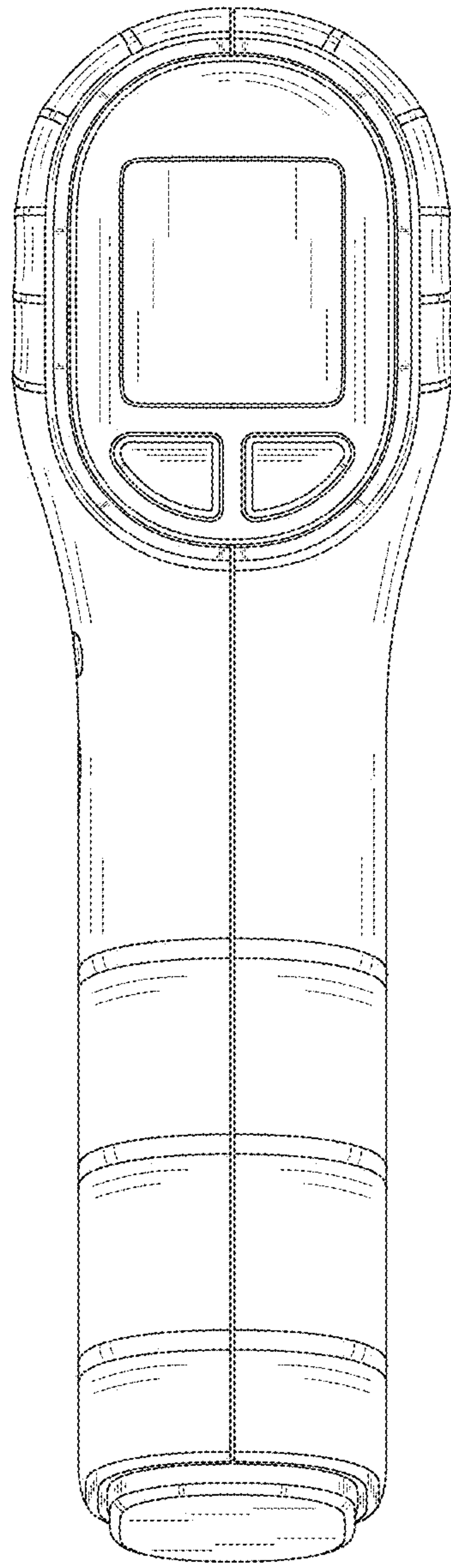


FIG. 1

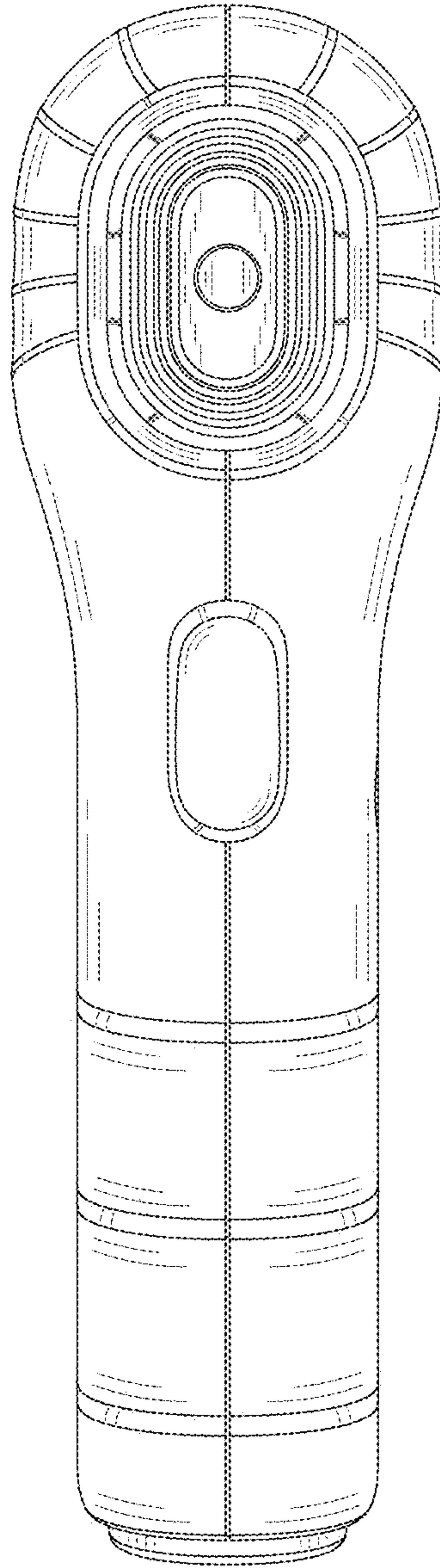


FIG. 2

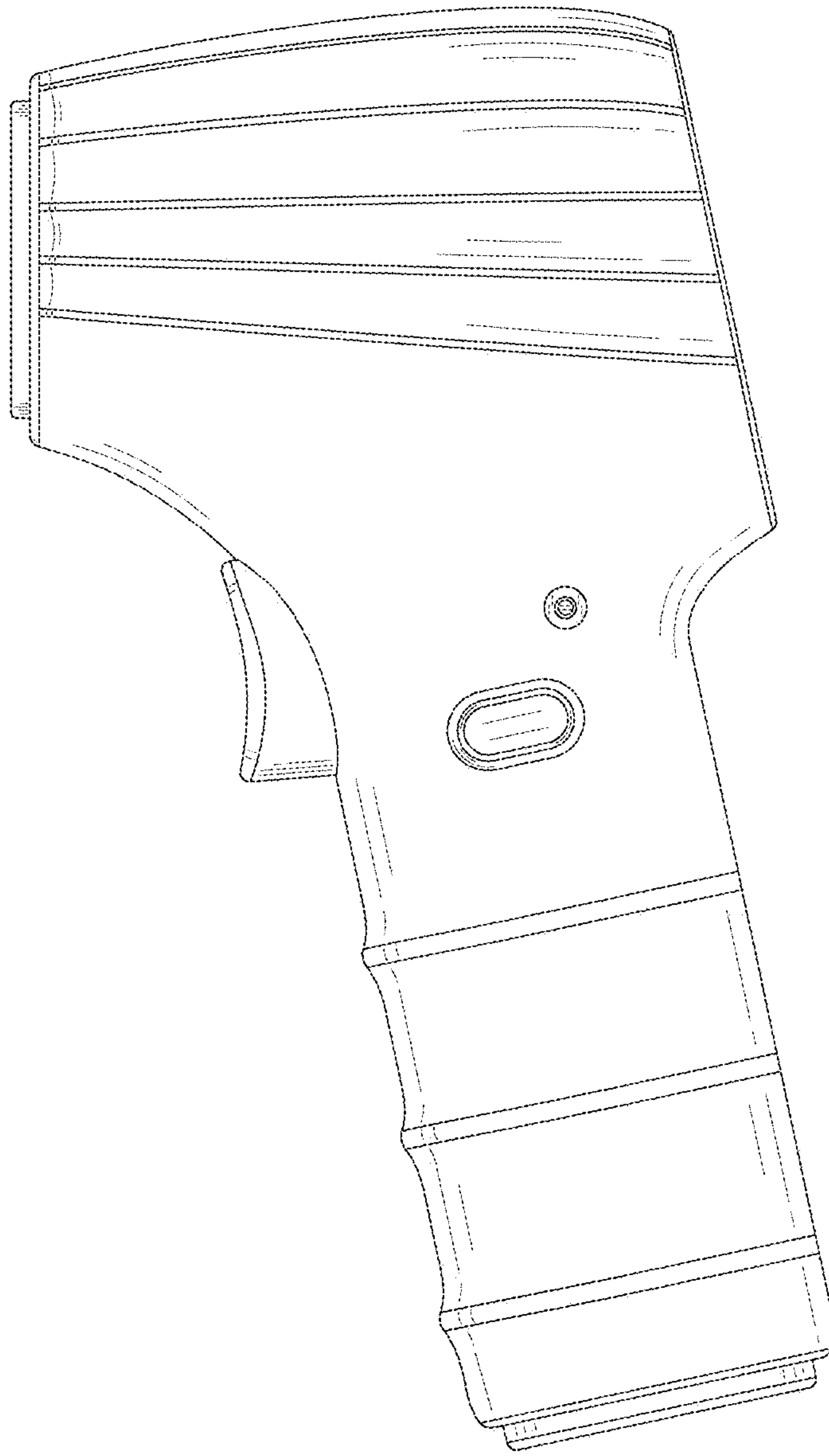


FIG. 3

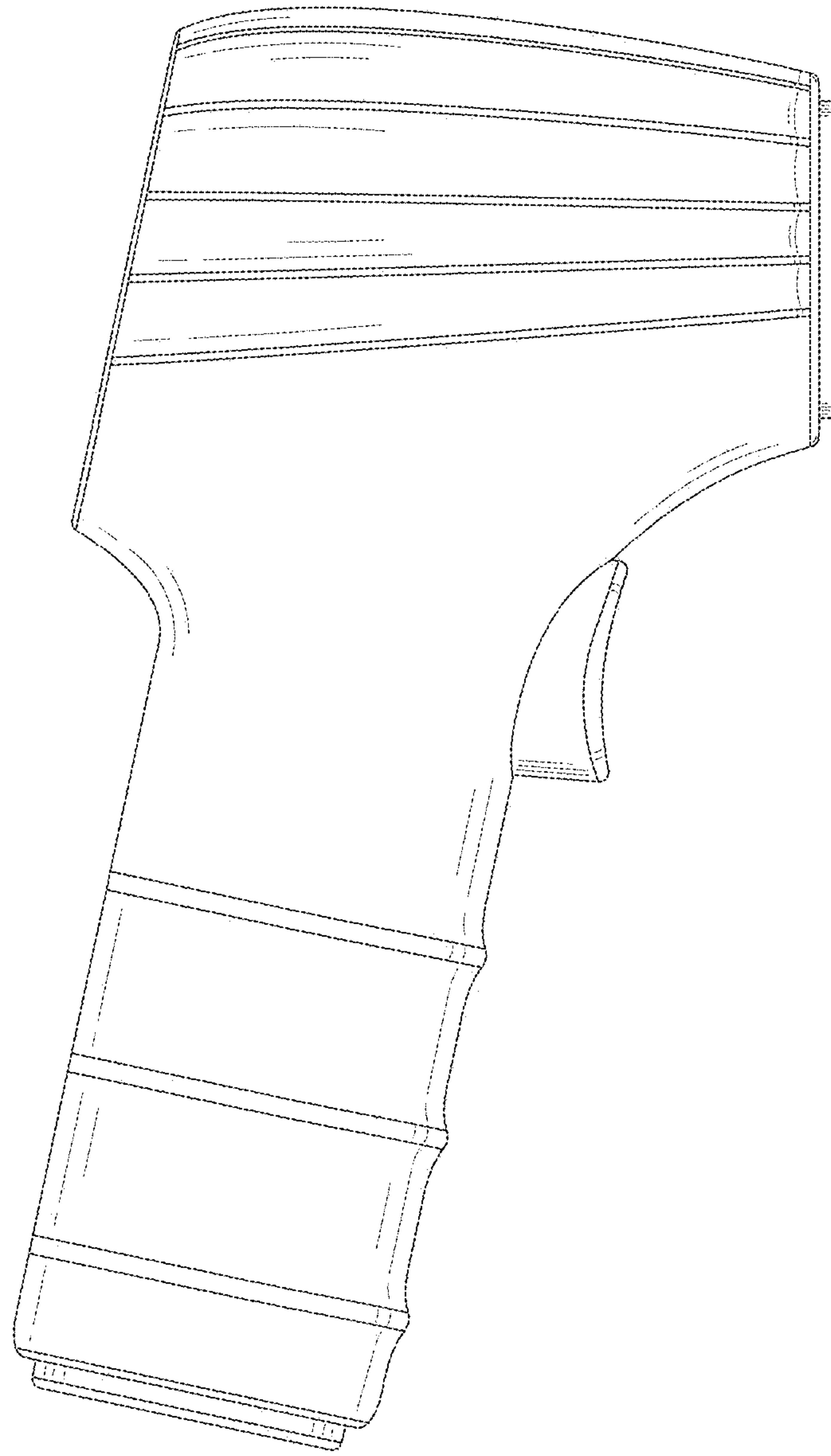


FIG. 4



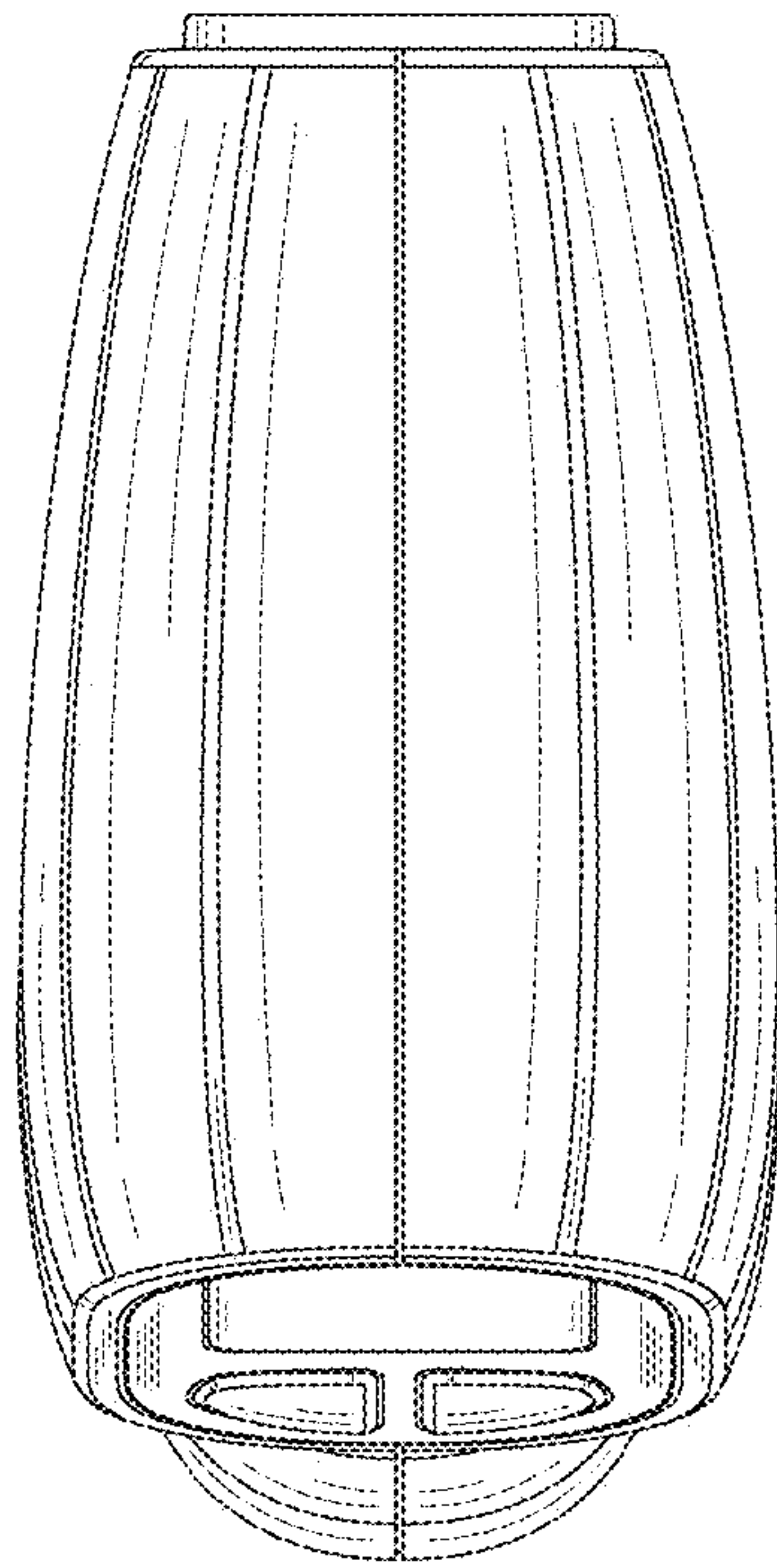


FIG. 5

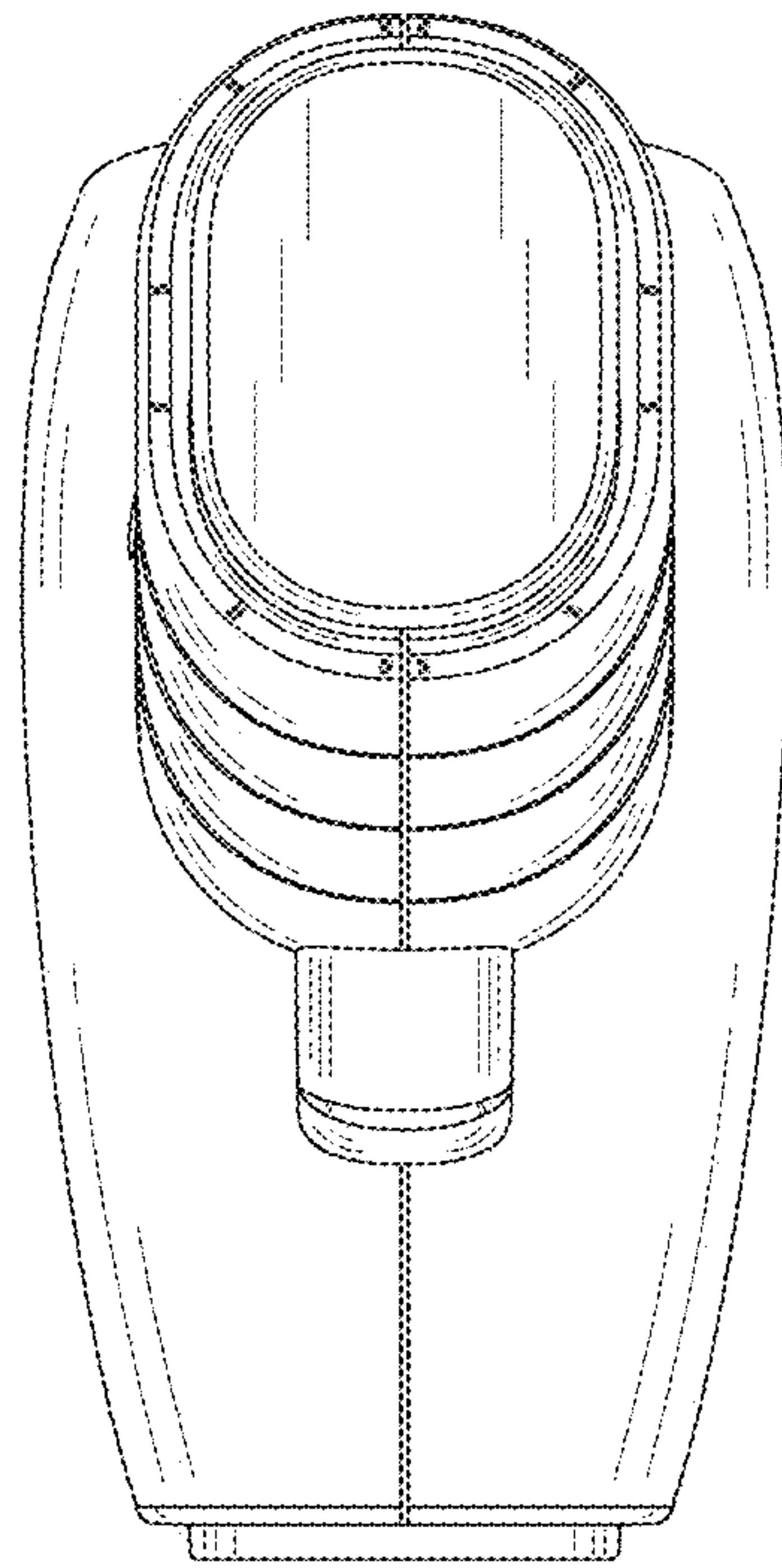


FIG. 6

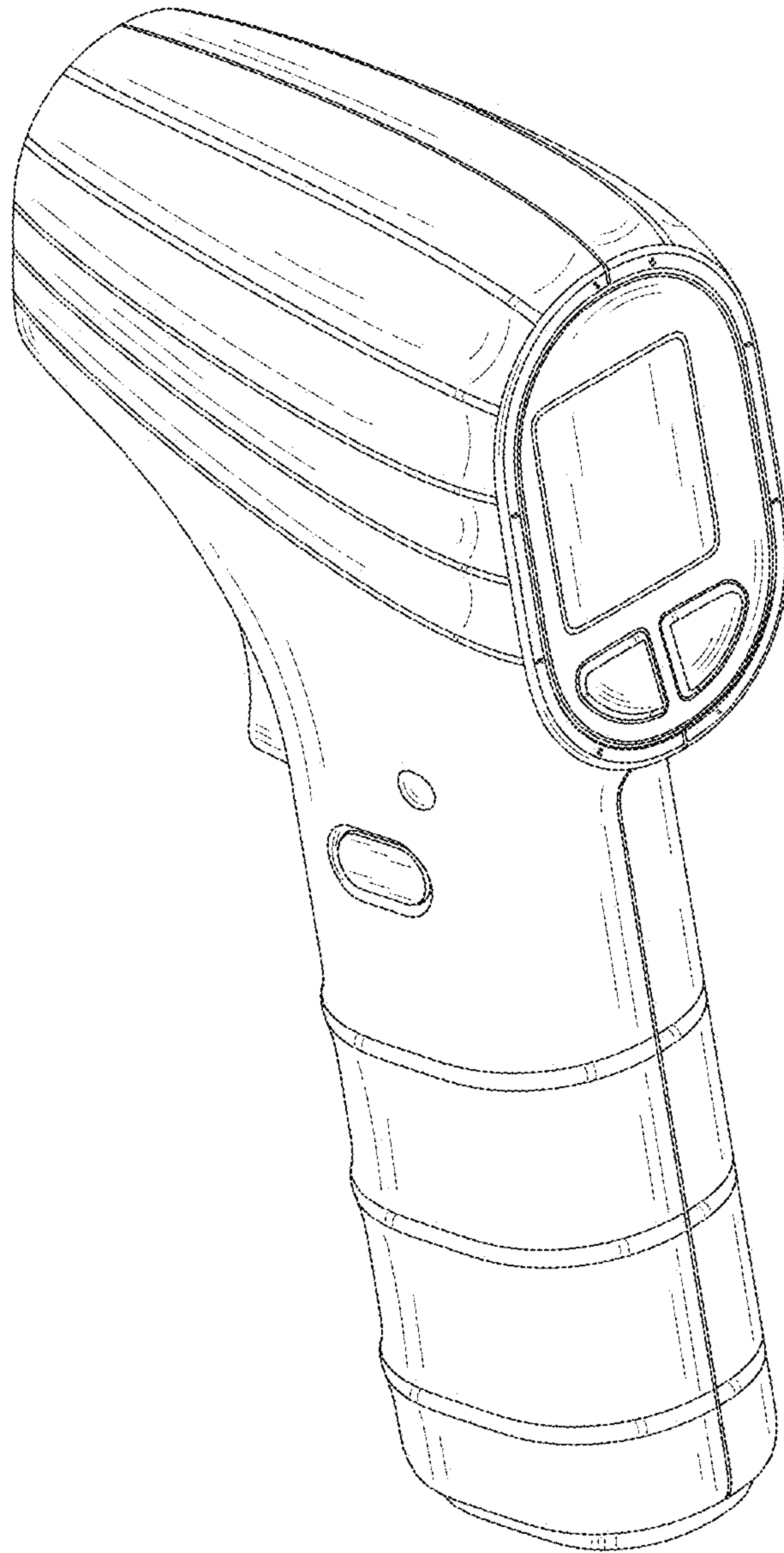


FIG. 7



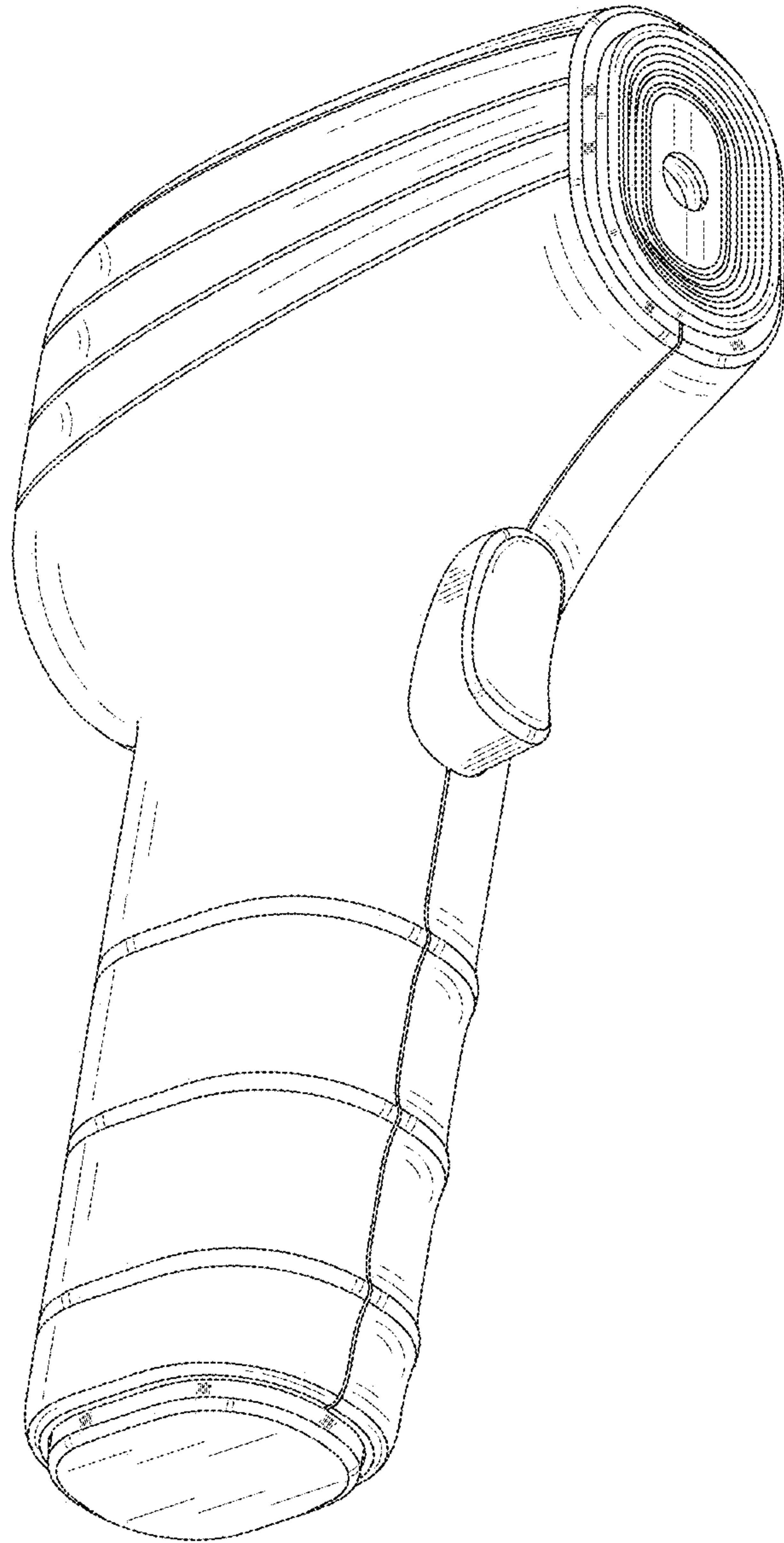


FIG. 8