



US00D974925S

(12) **United States Design Patent**  
**Dai**

(10) **Patent No.:** **US D974,925 S**  
(45) **Date of Patent:** **\*\* Jan. 10, 2023**

(54) **THERMOMETER**

(71) Applicant: **Hongxin Dai**, Shenzhen (CN)

(72) Inventor: **Hongxin Dai**, Shenzhen (CN)

(\*\*) Term: **15 Years**

(21) Appl. No.: **29/772,603**

(22) Filed: **Mar. 3, 2021**

(30) **Foreign Application Priority Data**

Dec. 12, 2020 (CN) ..... 202030765319.X

(51) **LOC (14) Cl.** ..... **10-04**

(52) **U.S. Cl.**  
USPC ..... **D10/57**

(58) **Field of Classification Search**  
USPC ..... D10/57  
CPC ..... G01K 1/08; G01K 13/20; G01K 13/223;  
G01K 13/25; G01K 13/252; G01K 1/083;  
G01K 1/18; G01K 13/002  
See application file for complete search history.

(56) **References Cited**

**U.S. PATENT DOCUMENTS**

D838,192 S \* 1/2019 Yu ..... D10/57  
D860,831 S \* 9/2019 Zou ..... D10/57

D871,934 S \* 1/2020 Wu ..... D10/57  
D890,001 S \* 7/2020 Wang ..... D10/57  
D906,140 S \* 12/2020 Wang ..... D10/57  
D919,458 S \* 5/2021 Dai ..... D10/57  
D922,887 S \* 6/2021 Zou ..... D10/57  
D951,111 S \* 5/2022 Yu ..... D10/57  
D953,895 S \* 6/2022 Dai ..... D10/57  
D955,234 S \* 6/2022 Zuo ..... D10/57

\* cited by examiner

*Primary Examiner* — Antoine Duval Davis

(74) *Attorney, Agent, or Firm* — Rumit Ranjit Kanakia

(57) **CLAIM**

The ornamental design for a thermometer, as shown and described.

**DESCRIPTION**

FIG. 1 is a first perspective view of a thermometer showing my new design;

FIG. 2 is a second perspective view thereof;

FIG. 3 is a front view thereof;

FIG. 4 is a back view thereof;

FIG. 5 is a left side view thereof;

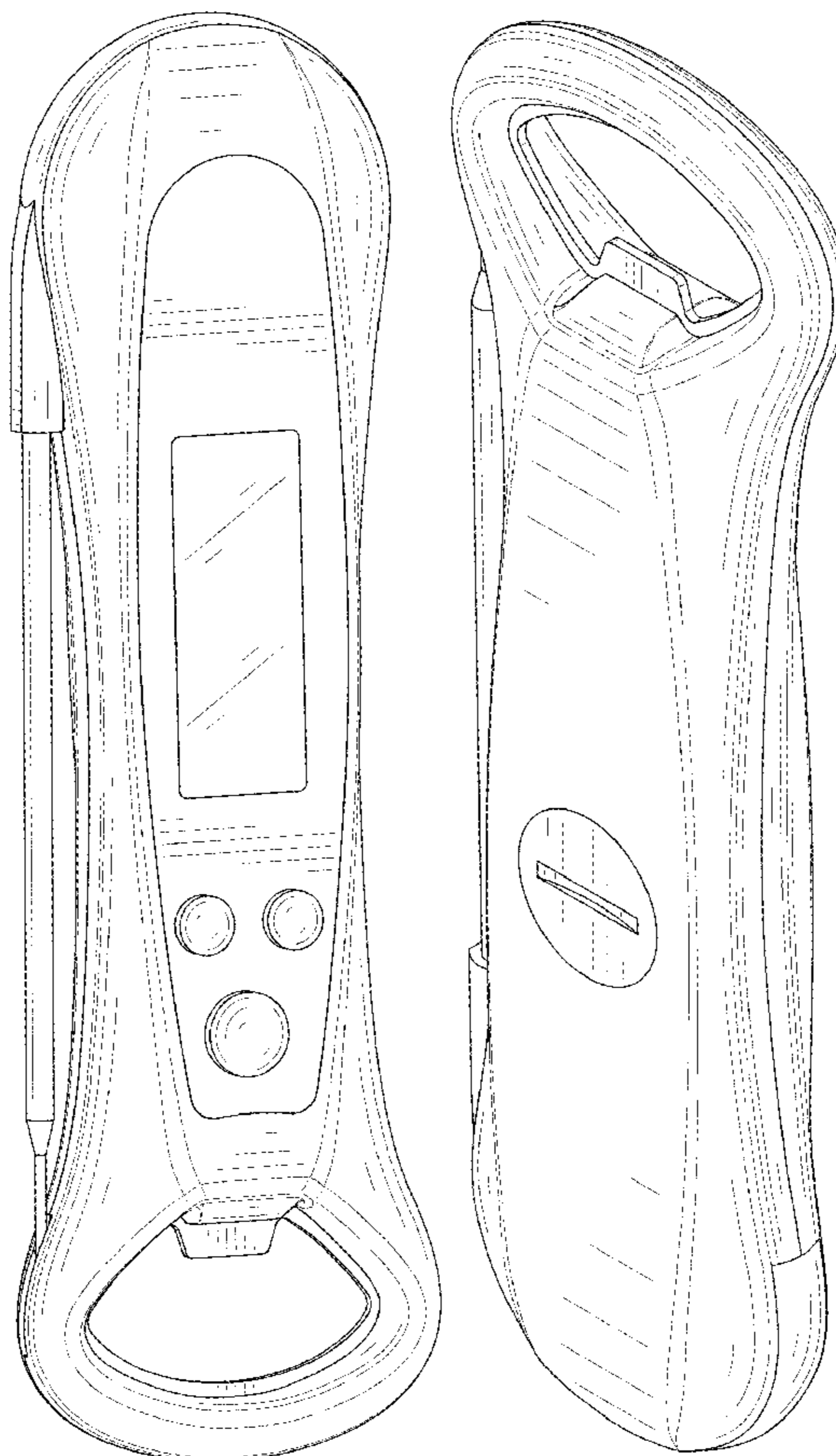
FIG. 6 is a right side view thereof;

FIG. 7 is a top view thereof;

FIG. 8 is a bottom view thereof; and,

FIG. 9 is a perspective view of another state of the thermometer thereof.

**1 Claim, 9 Drawing Sheets**



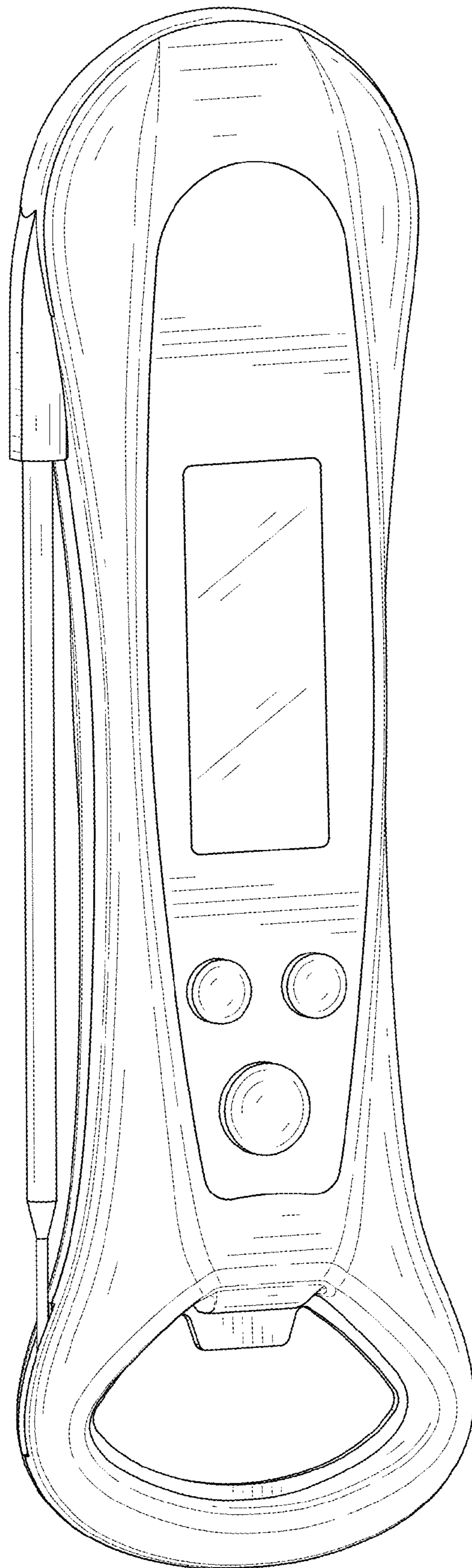


FIG. 1

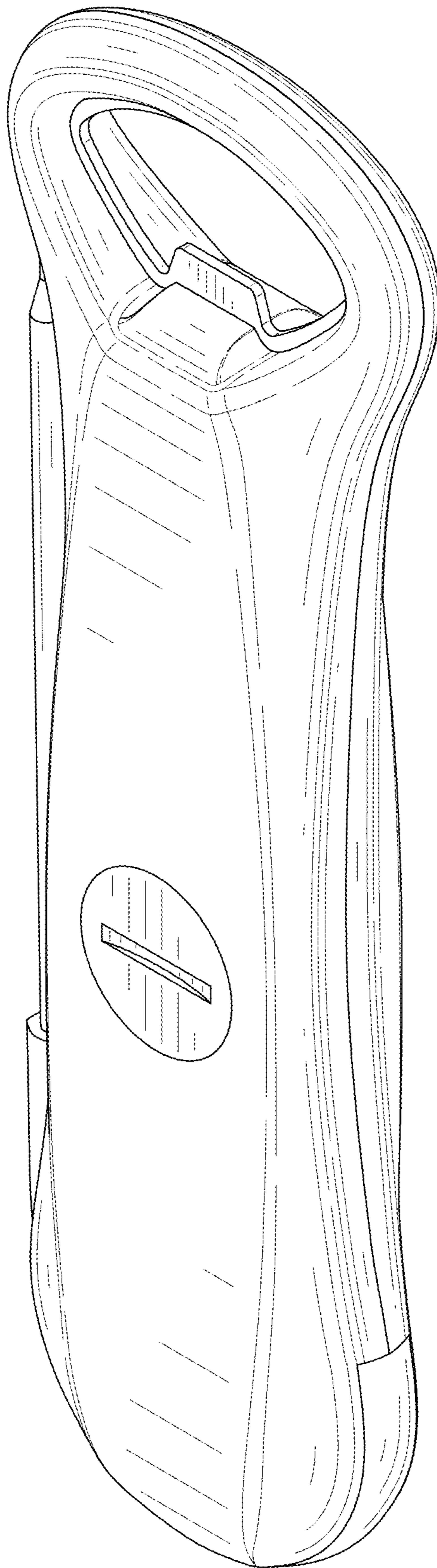


FIG. 2

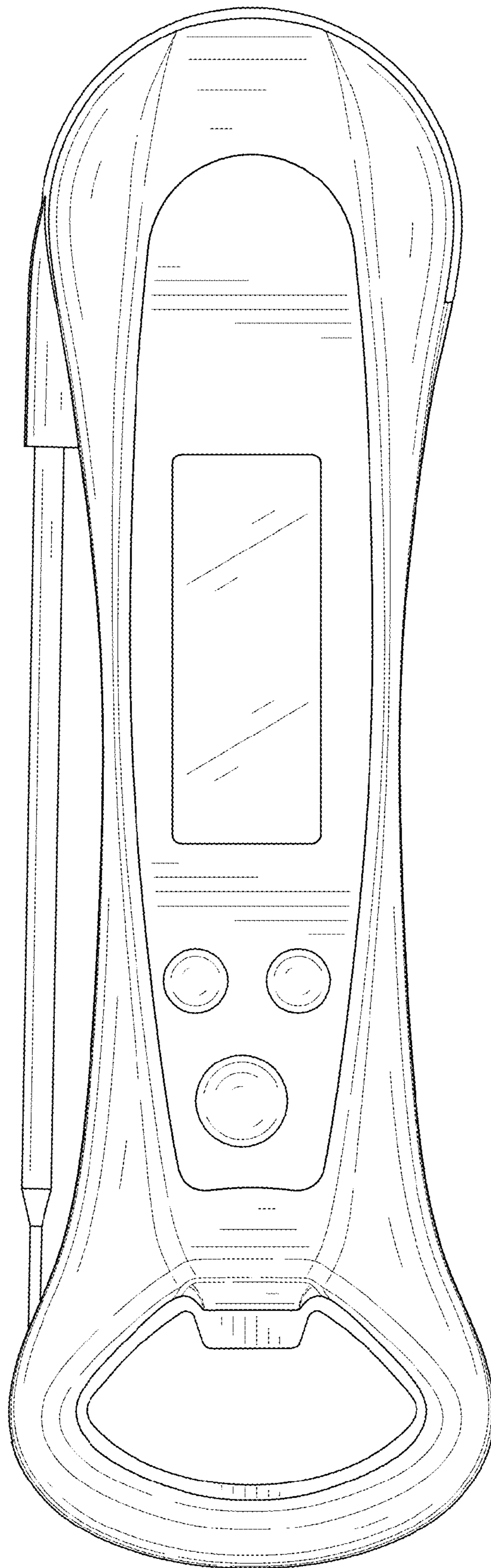


FIG. 3

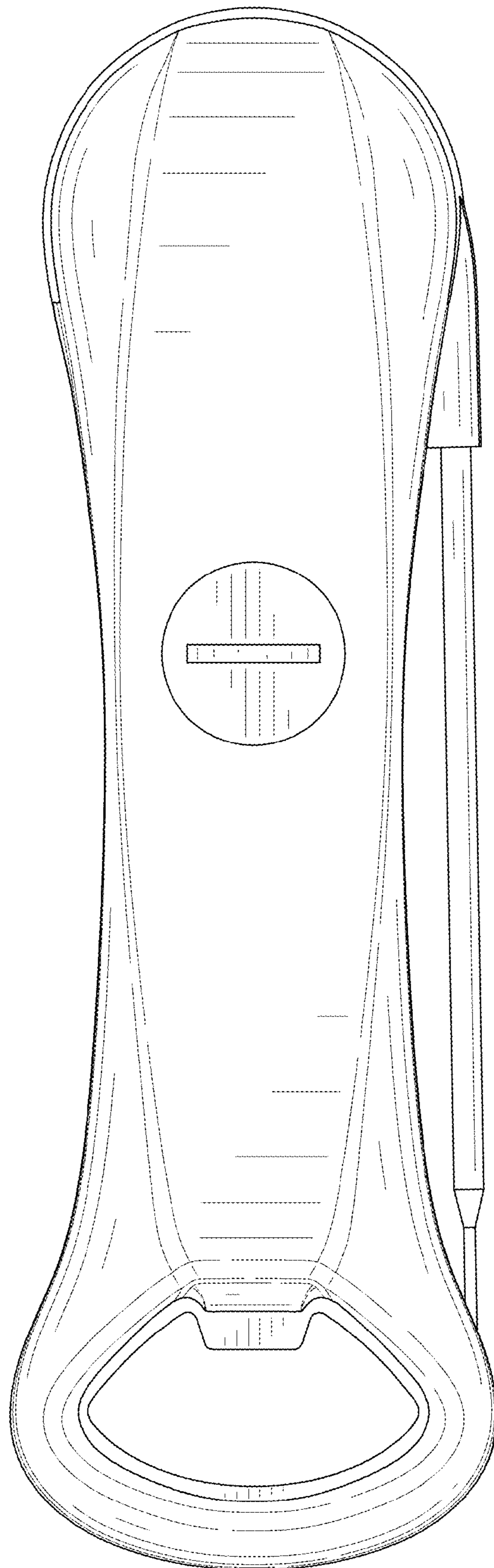


FIG. 4

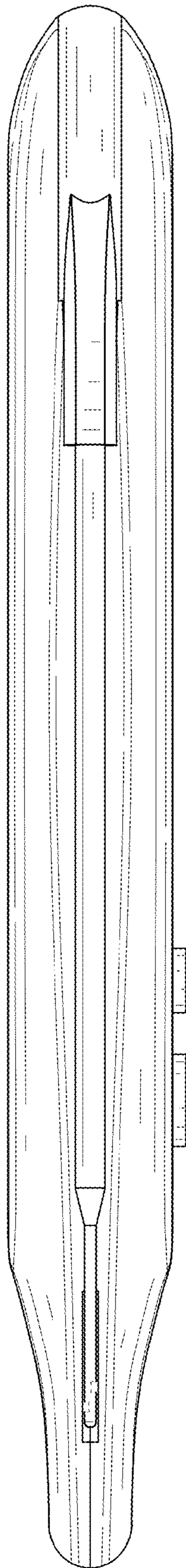


FIG. 5

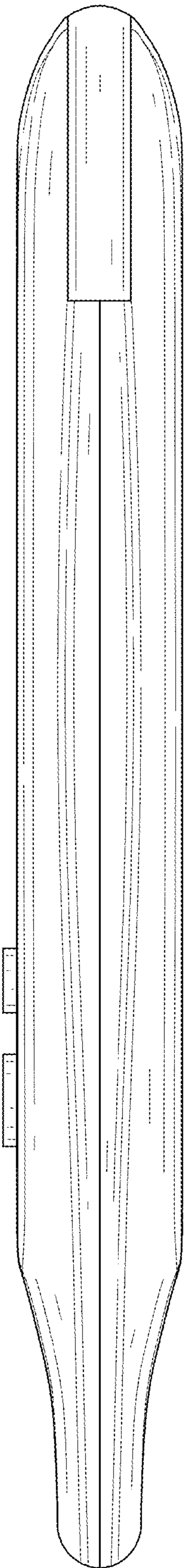


FIG. 6

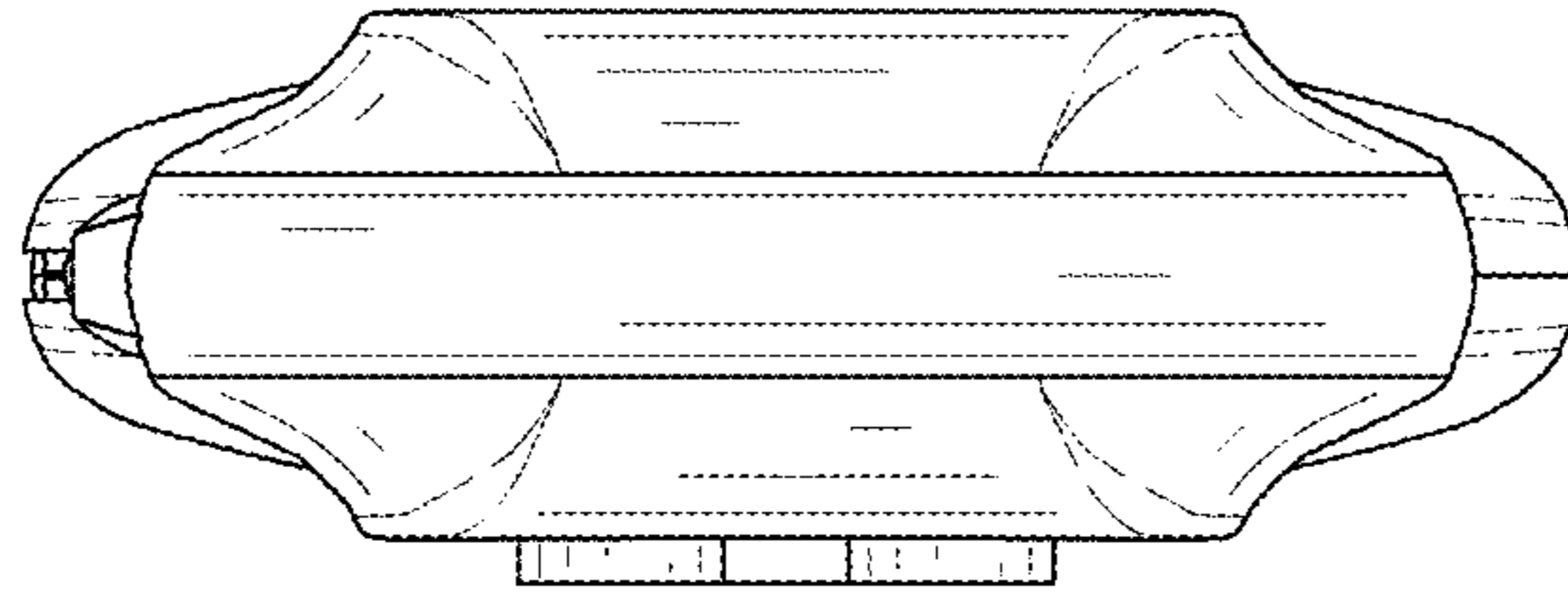


FIG. 7



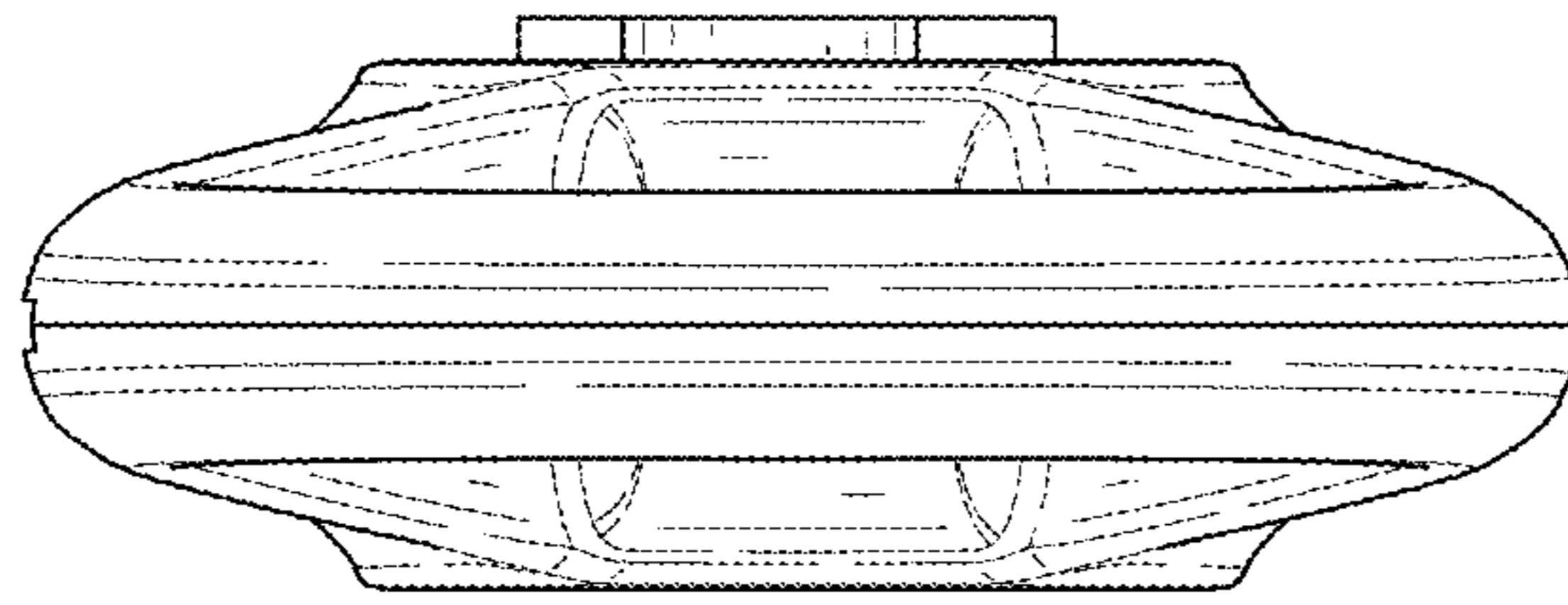


FIG. 8

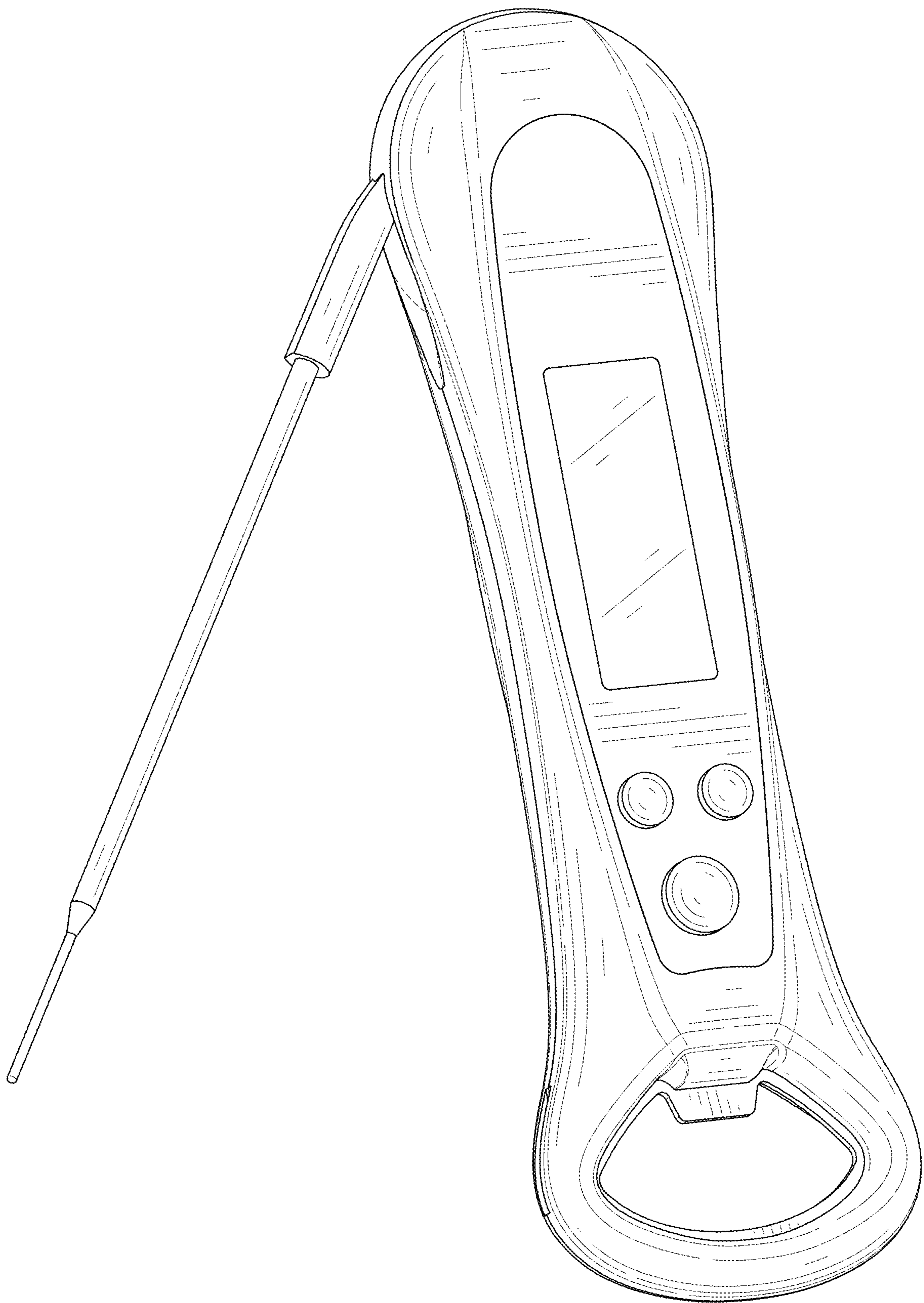


FIG. 9