



US00D974921S

(12) **United States Design Patent**
Gouvea et al.

(10) **Patent No.:** **US D974,921 S**
(45) **Date of Patent:** **** Jan. 10, 2023**

(54) **PHARMACEUTICAL PACKAGE**

(71) Applicant: **Actelion Pharmaceuticals Ltd**,
Allschwil (CH)
(72) Inventors: **Galina Gouvea**, New Brunswick, NJ
(US); **Paromita Sarkar**, New
Brunswick, NJ (US)
(73) Assignee: **Actelion Pharmaceuticals Ltd**,
Allschwil (CH)

(**) Term: **15 Years**

(21) Appl. No.: **29/775,260**

(22) Filed: **Mar. 22, 2021**

(51) **LOC (14) Cl.** **09-01**

(52) **U.S. Cl.**
USPC **D9/732**

(58) **Field of Classification Search**
USPC D9/414, 415, 424, 456, 732, 737, 756,
D9/759, 761; D24/227, 229, 230
CPC B65D 75/327; B65D 2585/56; B65D
75/367; B65D 75/32; B65D 2575/3227;
B65D 83/0445; B65D 2575/367; B65D
2575/3245; B65D 83/04; B65D 75/22;
B65D 75/5855; B65D 75/323; B65D
2543/00296; B65D 5/4204; B65D 25/04;
B65D 75/52; B65D 75/585; B65D
73/0035; B65D 73/0085; B65D 75/58;
B65D 2543/00194; B65D 1/36; B65D
73/0078; B65D 2543/00805; B65D
73/0042; B65D 75/225; B65D 77/30;
B65D 2543/00092; B65D 75/522; B65D
1/0223

See application file for complete search history.

(56) **References Cited**

U.S. PATENT DOCUMENTS

D480,958 S * 10/2003 Mazel D9/732
D539,166 S * 3/2007 Spencer D9/732

(Continued)

Primary Examiner — Lauren R Calve

(74) *Attorney, Agent, or Firm* — BakerHostetler

(57) **CLAIM**

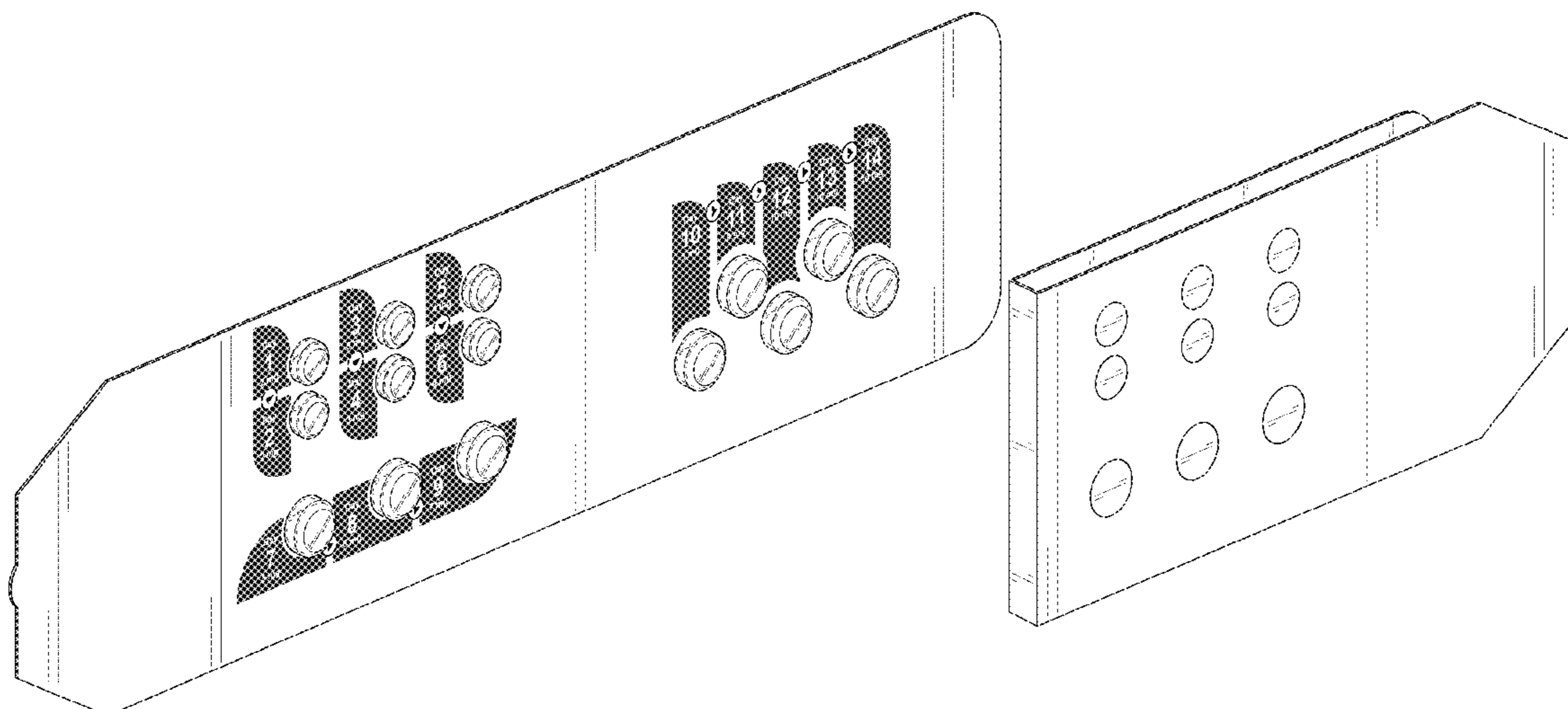
The ornamental design for a pharmaceutical package, as shown and described.

DESCRIPTION

FIG. 1 is a front, left perspective view of a pharmaceutical package according to one embodiment of our design shown in an unfolded configuration;
FIG. 2 is a rear, right perspective view of thereof;
FIG. 3 is a front elevational view thereof;
FIG. 4 is a rear elevational view thereof;
FIG. 5 is a left side elevational view thereof;
FIG. 6 is a right side elevational view thereof;
FIG. 7 a top plan view thereof;
FIG. 8 is a bottom plan view thereof;
FIG. 9 is a front, left perspective view thereof, shown in a folded configuration;
FIG. 10 is rear, right perspective view thereof, shown in the folded configuration;
FIG. 11 is a front, left perspective view of a pharmaceutical package according to another embodiment of our design, shown in an unfolded configuration;
FIG. 12 is a rear, right perspective view of thereof;
FIG. 13 is a front elevational view thereof;
FIG. 14 is a rear elevational view thereof;
FIG. 15 is a left side elevational view thereof;
FIG. 16 is a right side elevational view thereof;
FIG. 17 is a top plan view thereof;
FIG. 18 is a bottom plan view thereof;
FIG. 19 is a front, left perspective view thereof, shown in a folded configuration; and,
FIG. 20 is rear, right perspective view thereof, shown in the folded configuration.

The broken lines shown represent portions of the pharmaceutical package, specifically the oral tablets, that form no part of the claimed design.

1 Claim, 14 Drawing Sheets



(56)

References Cited

U.S. PATENT DOCUMENTS

D562,153 S * 2/2008 Ruble D9/732
D843,850 S * 3/2019 LoPrete D9/756
D867,162 S * 11/2019 LoPrete D9/732
2006/0144747 A1* 7/2006 Le A61J 7/0481
206/531
2007/0068843 A1* 3/2007 Hession B65D 5/728
206/538
2010/0096292 A1* 4/2010 Jones B65D 83/0463
229/125.125
2010/0108677 A1* 5/2010 Loftin A61J 1/035
220/737

* cited by examiner

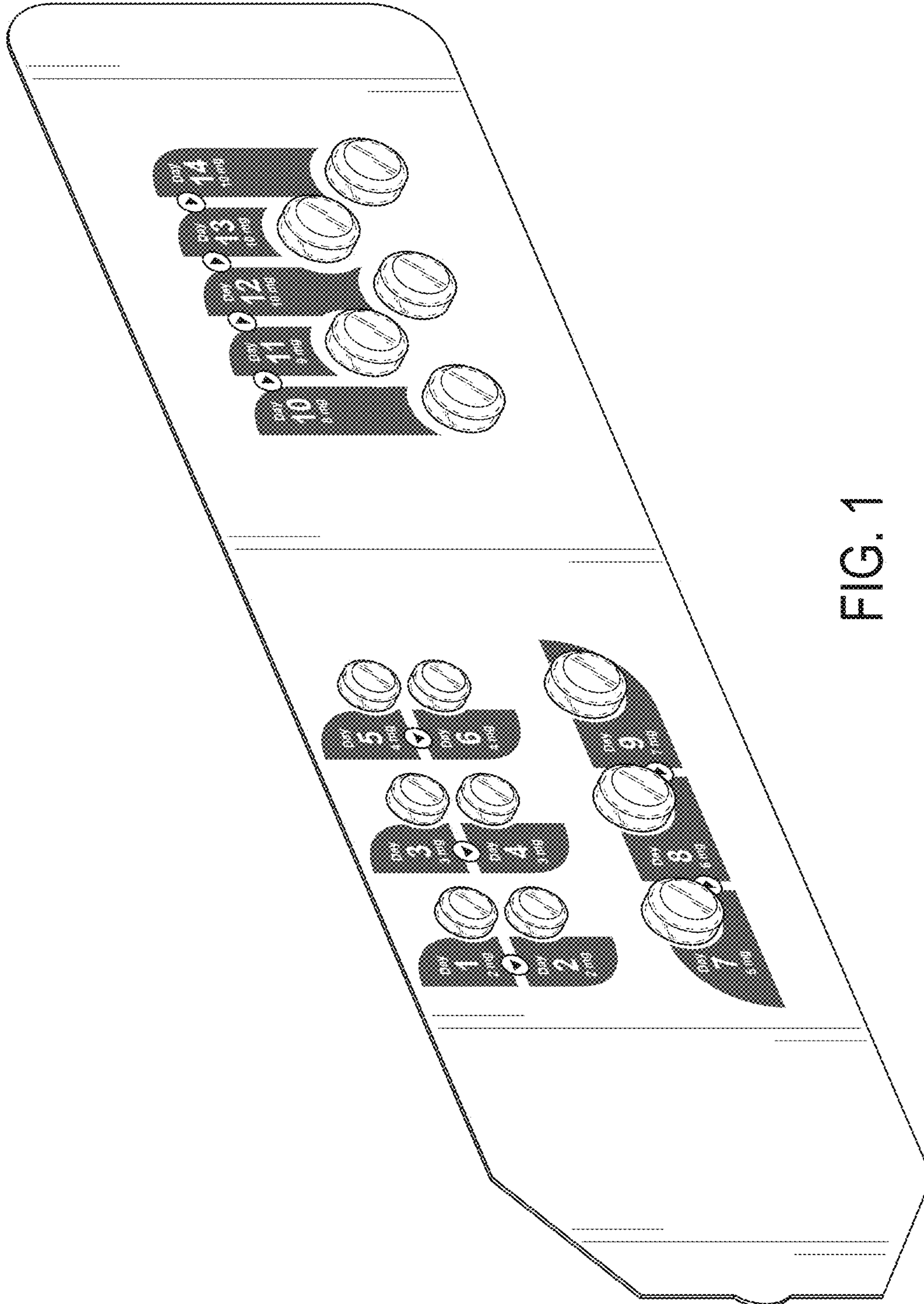


FIG. 1

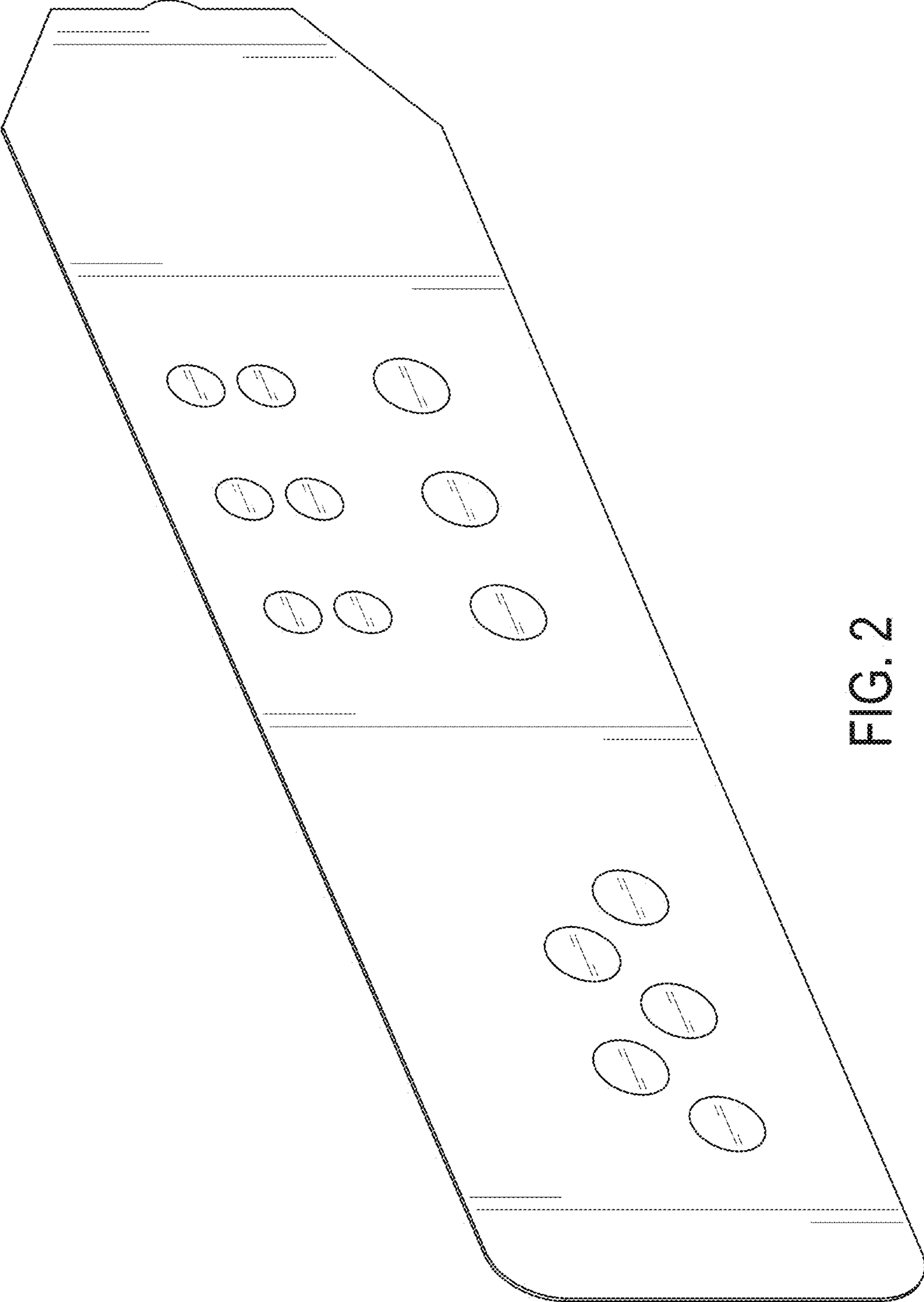


FIG. 2

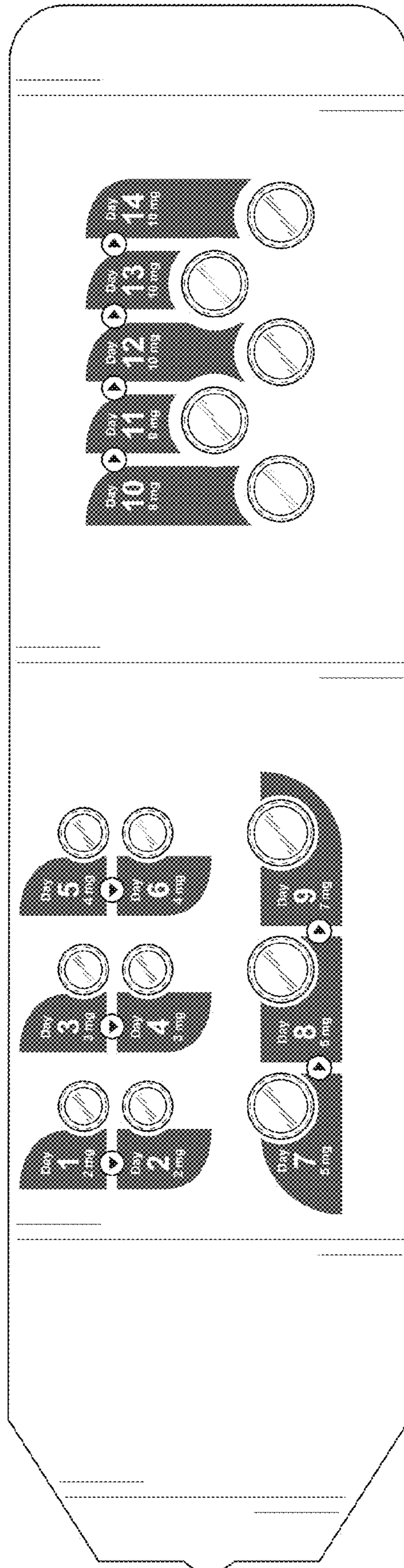


FIG. 3

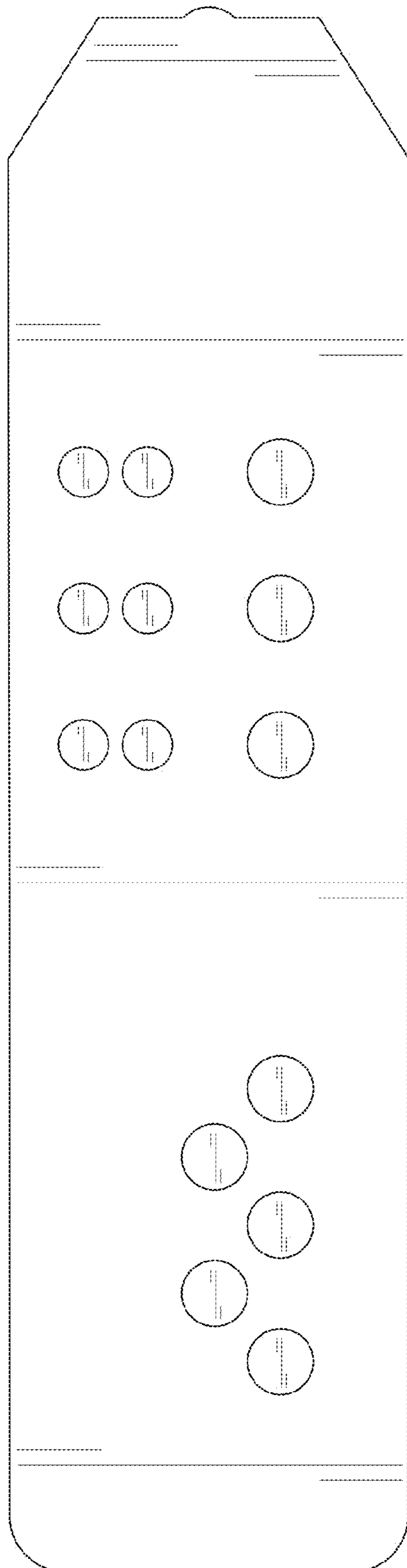


FIG. 4

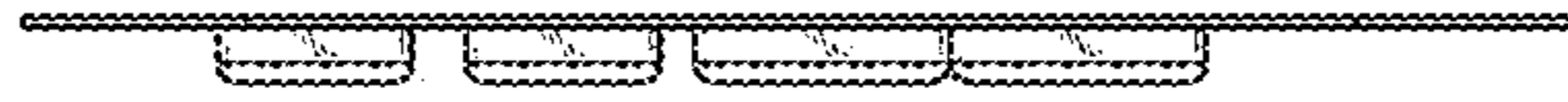


FIG. 6

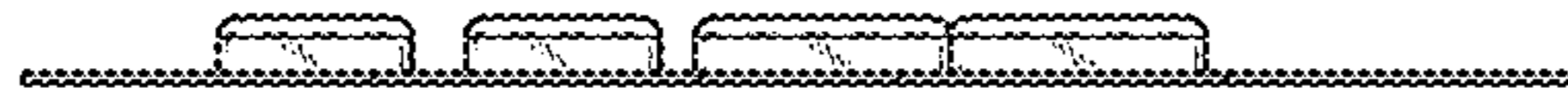


FIG. 5



FIG. 7



FIG. 8

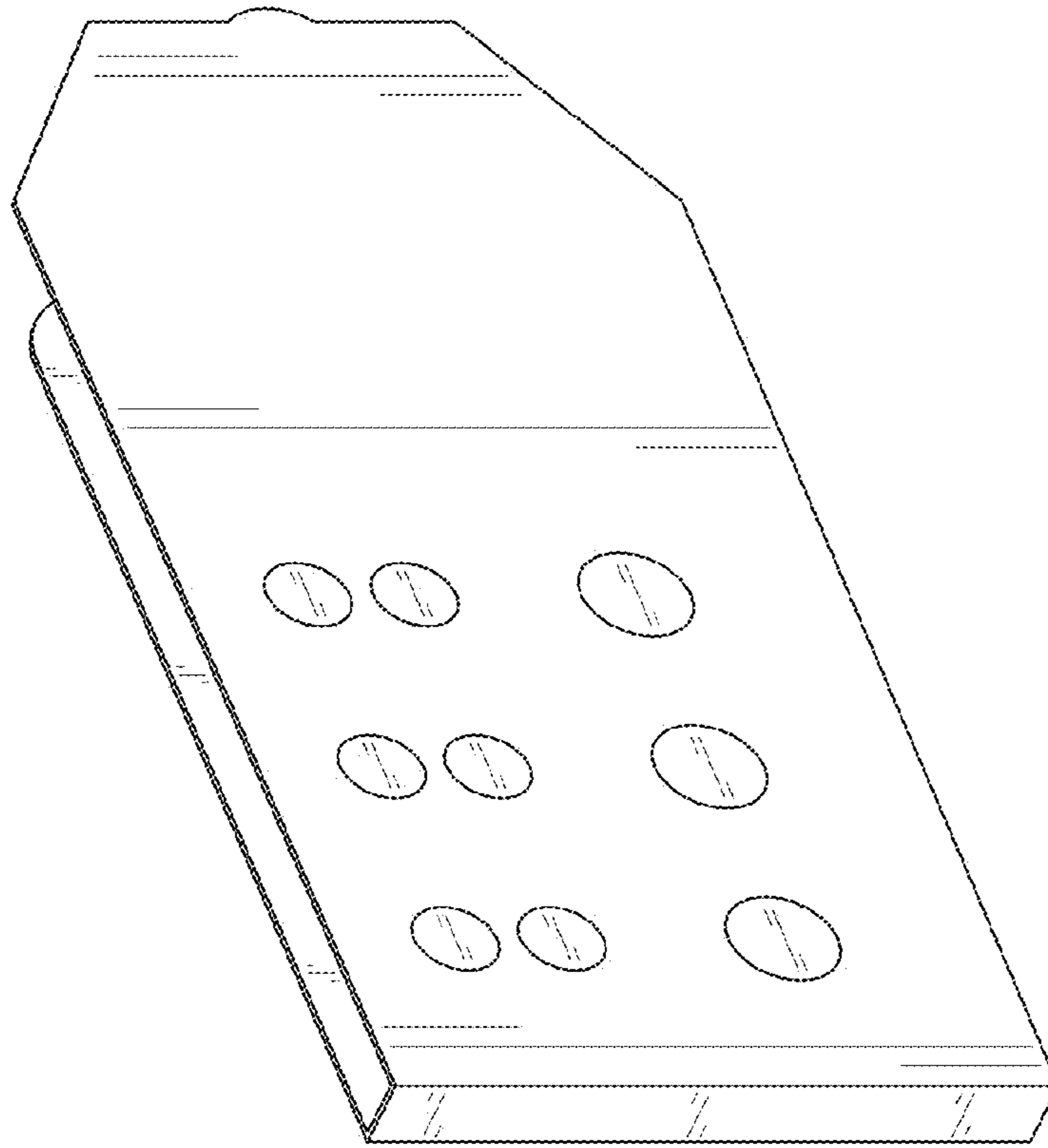


FIG. 10

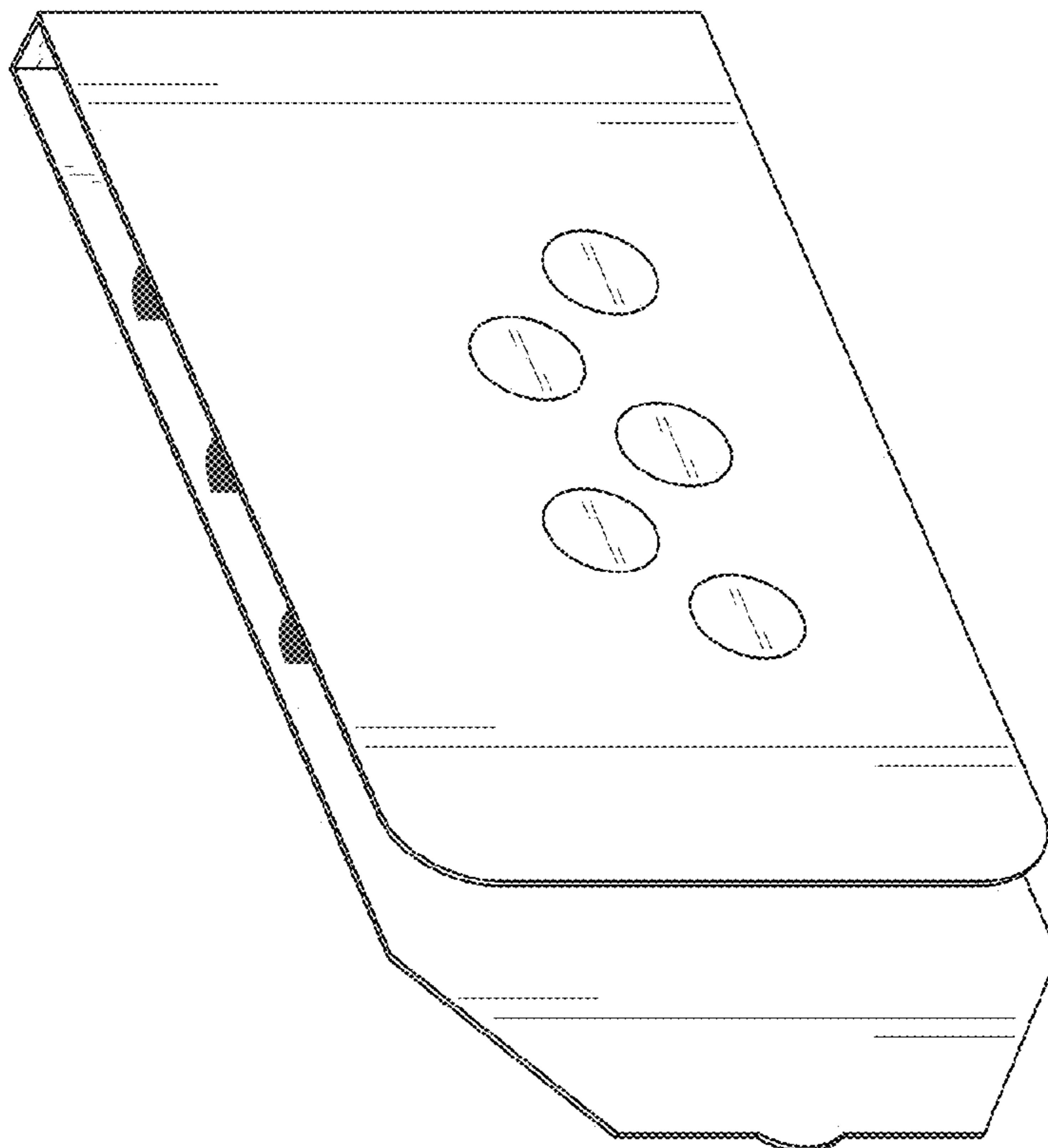


FIG. 9

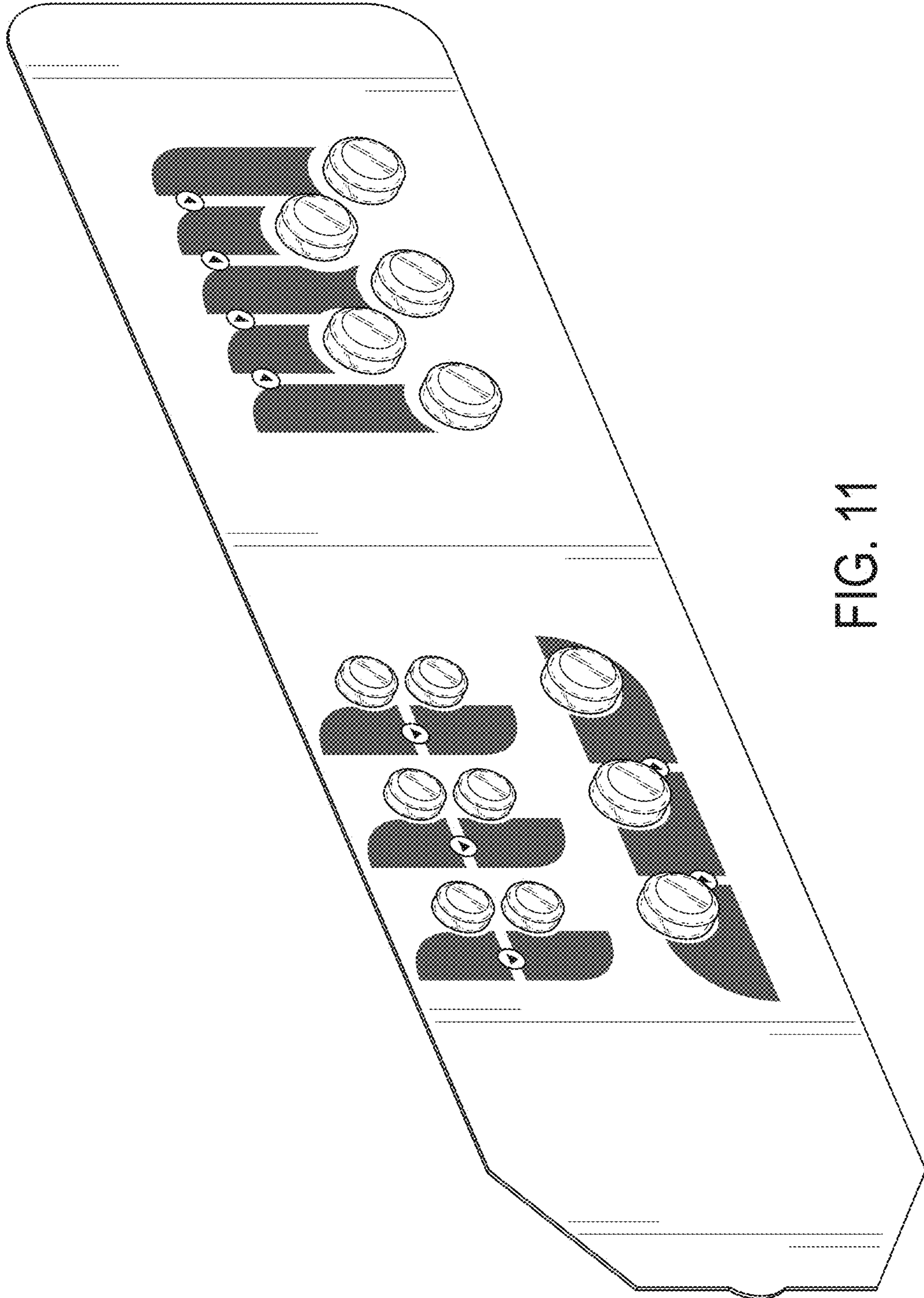


FIG. 11

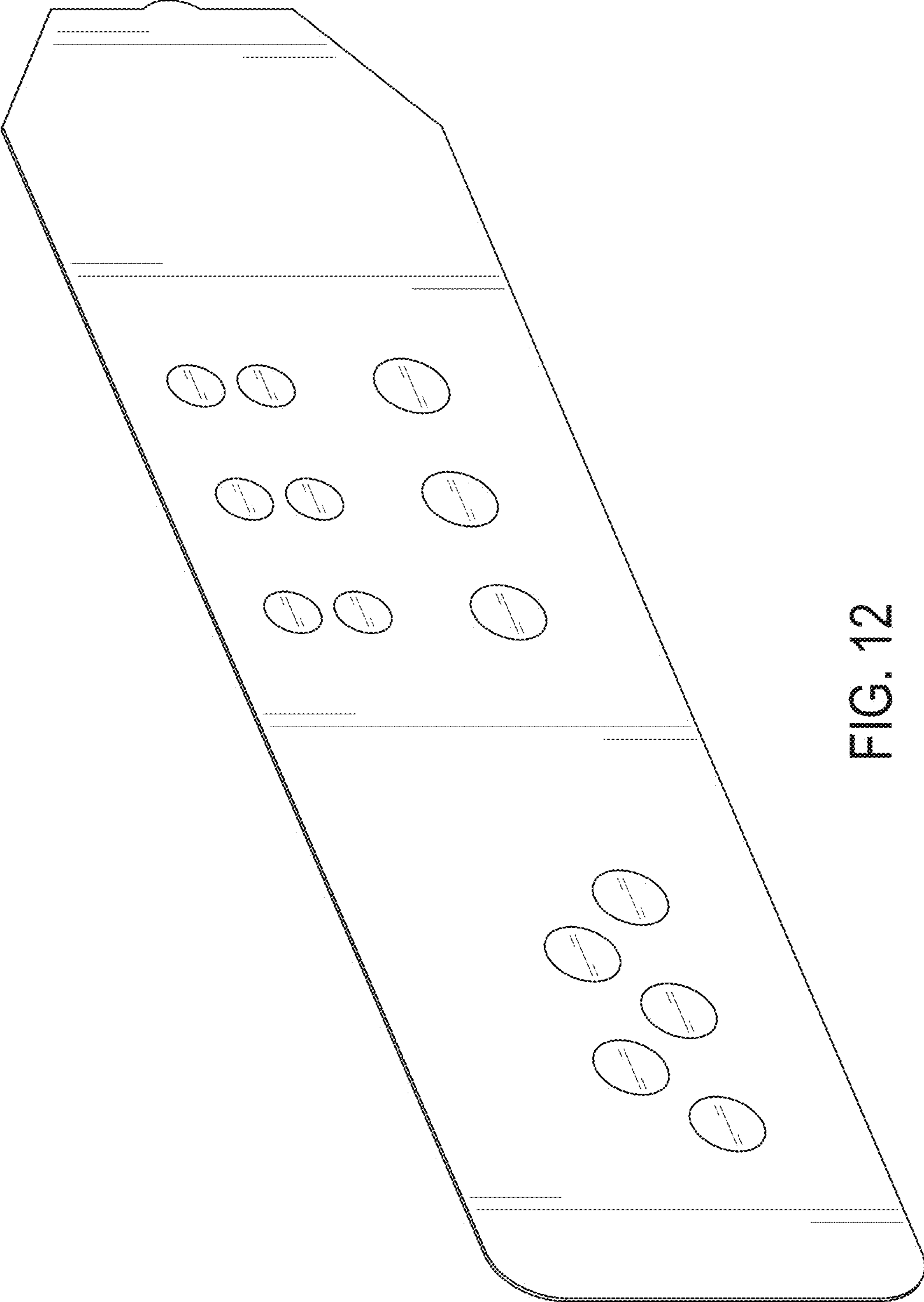


FIG. 12

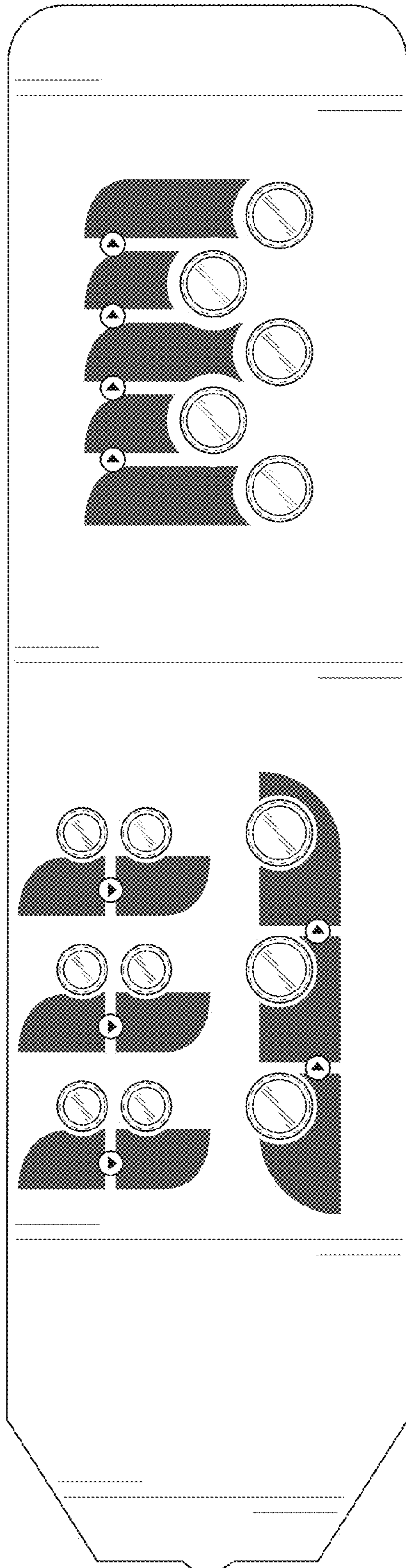


FIG. 13

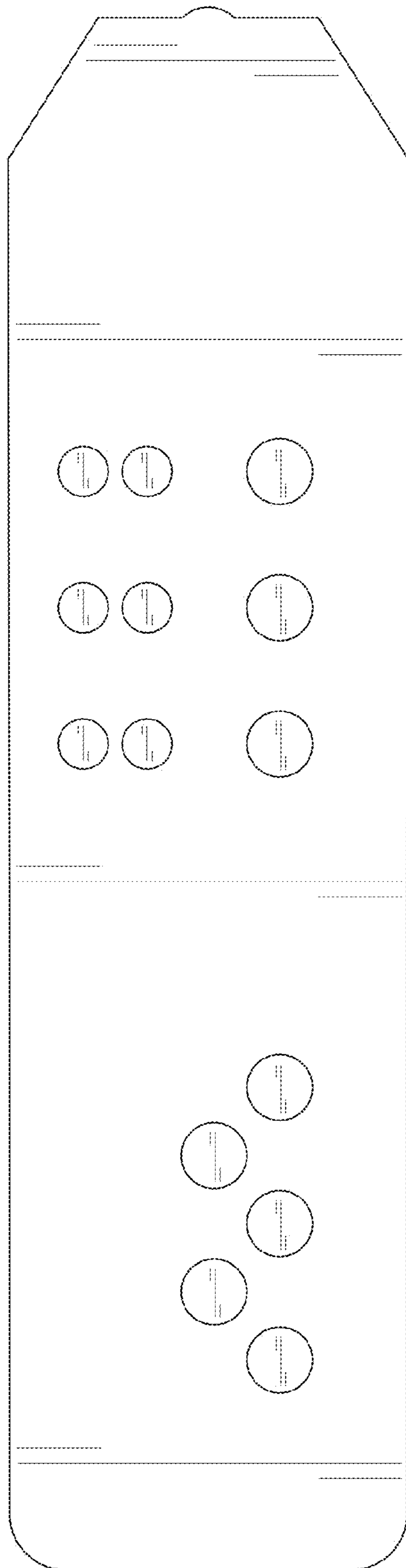


FIG. 14

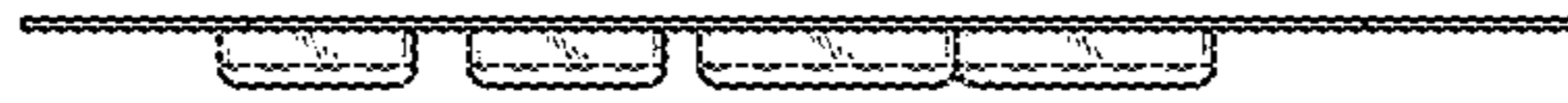


FIG. 15

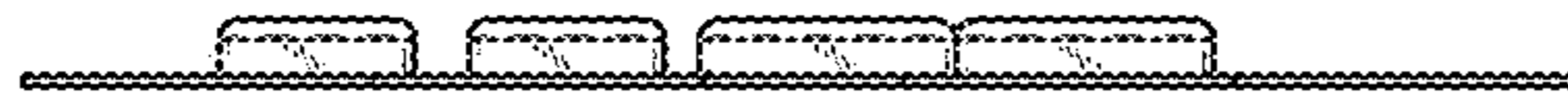


FIG. 16



FIG. 17



FIG. 18

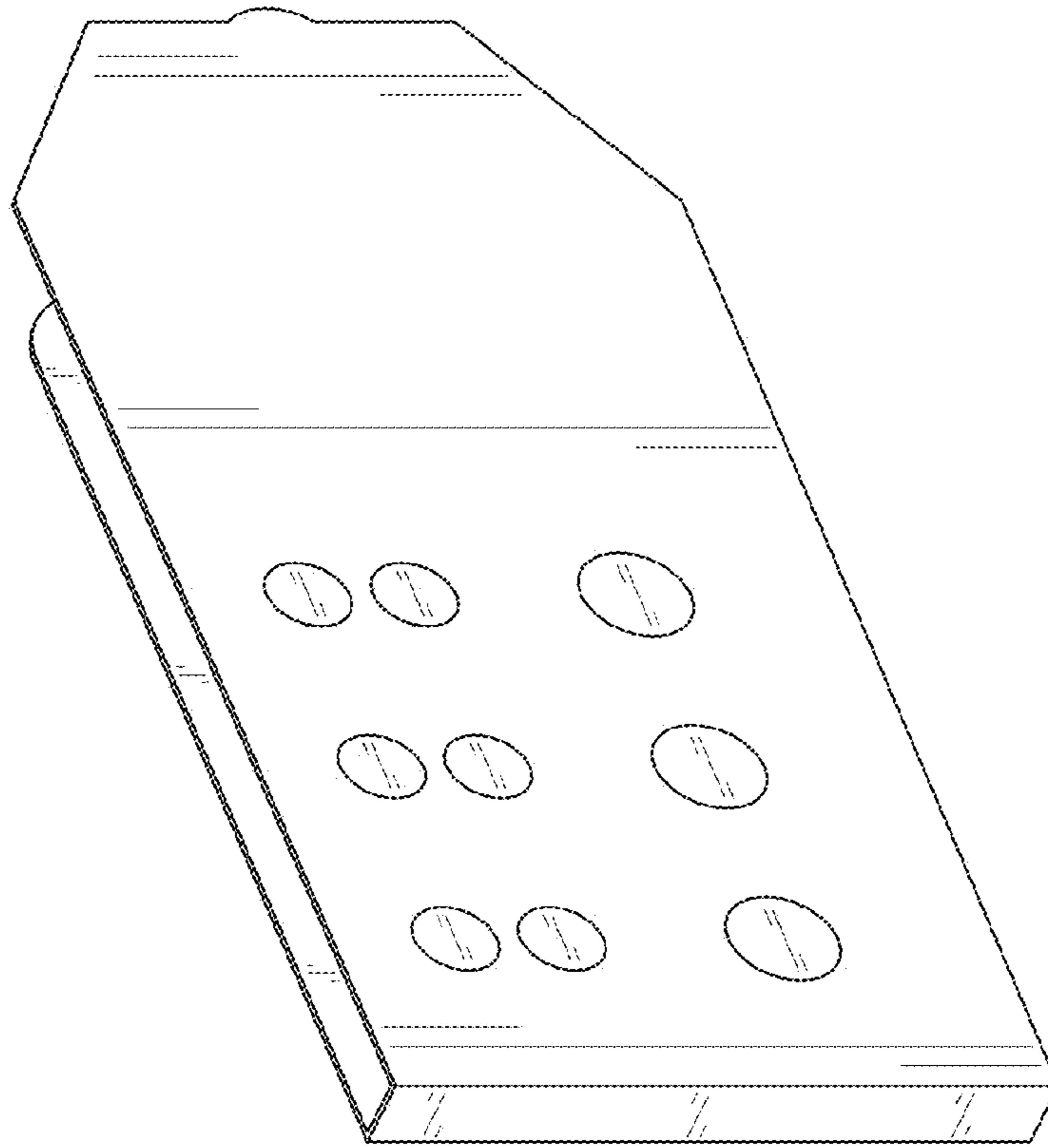


FIG. 20

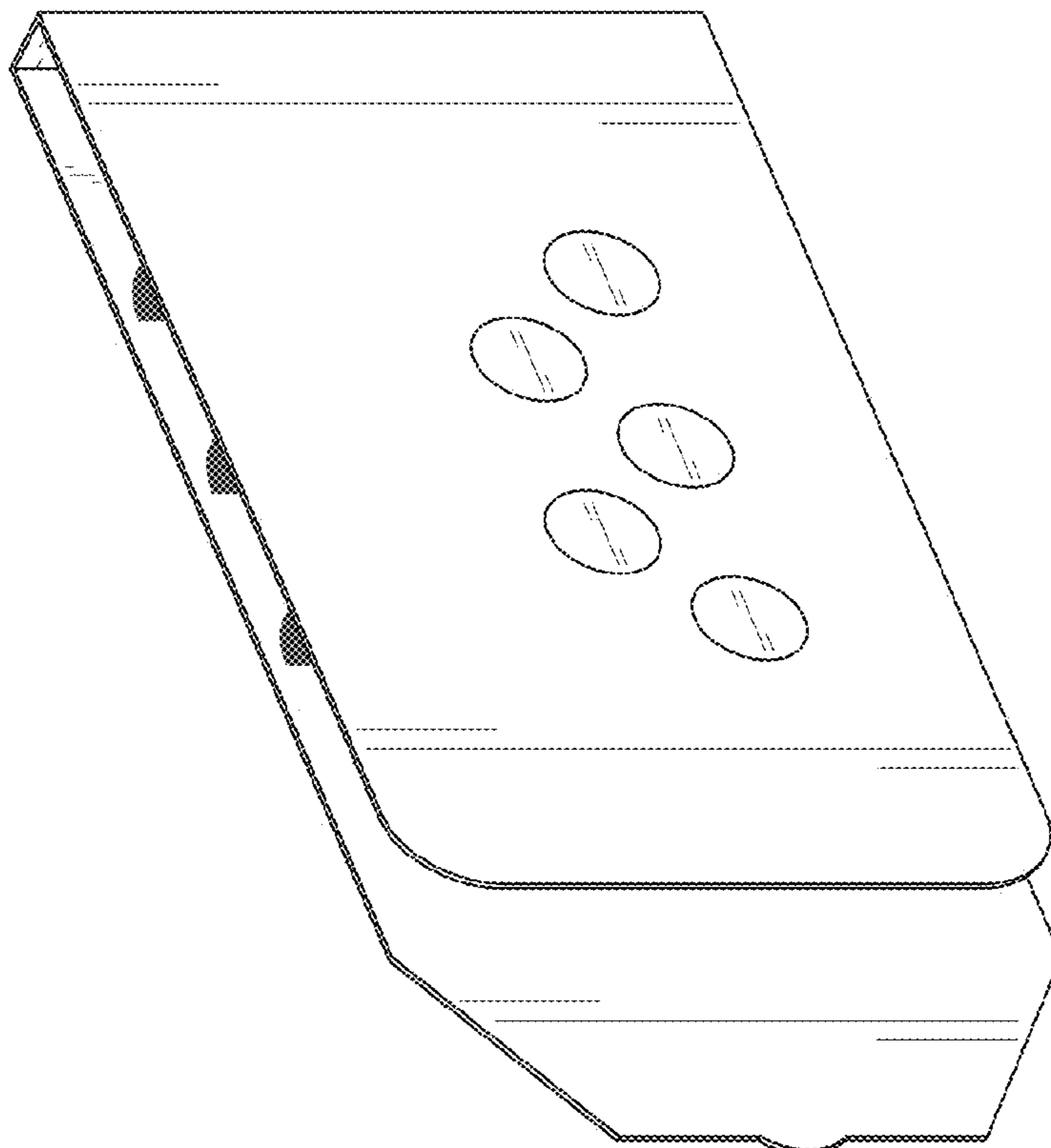


FIG. 19