



US00D974918S

(12) **United States Design Patent**  
**Libby et al.**

(10) **Patent No.: US D974,918 S**

(45) **Date of Patent: \*\* Jan. 10, 2023**

(54) **COSMETICS BOTTLE**

OTHER PUBLICATIONS

(71) Applicant: **Victoria's Secret Stores Brand Management, LLC**, Reynoldsburg, OH (US)

Men's Fine Fragrance—Victoria's Secret. Date first available: Mar. 21, 2022. Site visited: Aug. 29, 2022. Available online: <https://www.victoriasecret.com/us/beauty/fragrances/for-him> (Year: 2022).\*

(Continued)

(72) Inventors: **Jessica Libby**, New York, NY (US);  
**Stephen Moss**, Brooklyn, NY (US);  
**Sandra Monteparo**, Brooklyn, NY (US);  
**Jeffrey Uhl**, Westhampton Beach, NY (US)

*Primary Examiner* — Catherine S Posthauer

*Assistant Examiner* — Joan E. Diehl

(74) *Attorney, Agent, or Firm* — Andrus Intellectual Property Law, LLP

(73) Assignee: **Victoria's Secret Stores Brand Management, LLC**, Reynoldsburg, OH (US)

(57) **CLAIM**

The ornamental design for a cosmetics bottle, as shown and described.

(\*\*) Term: **15 Years**

**DESCRIPTION**

(21) Appl. No.: **29/770,765**

FIG. 1 is a top perspective view of a first embodiment of a cosmetics bottle according to our new and ornamental design;

(22) Filed: **Feb. 16, 2021**

FIG. 2 is a front elevation view thereof;

(51) **LOC (14) Cl.** ..... **09-01**

FIG. 3 is a rear elevation view thereof;

(52) **U.S. Cl.**

FIG. 4 is a left side elevation view thereof;

USPC ..... **D9/652**

FIG. 5 is a right side elevation view thereof;

(58) **Field of Classification Search**

USPC ..... D9/652, 542, 432, 434–436, 452, 516,  
D9/530, 544–545, 559–560, 564, 565,

FIG. 6 is a top plan view thereof; and

FIG. 7 is a bottom plan view thereof.

(Continued)

FIG. 8 is a top perspective view of a second embodiment of a cosmetics bottle according to our new and ornamental design;

(56) **References Cited**

FIG. 9 is a front elevation view thereof;

FIG. 10 is a rear elevation view thereof;

U.S. PATENT DOCUMENTS

D114,008 S \* 3/1939 Blunt ..... D9/652

D134,266 S \* 11/1942 Taylor ..... D9/652

(Continued)

FIG. 11 is a left side elevation view thereof;

FIG. 12 is a right side elevation view thereof;

FIG. 13 is a top plan view thereof; and,

FIG. 14 is a bottom plan view thereof.

The dash-dot broken lines represent the boundaries of the claimed design and form no part of the claim. The evenly dashed broken lines outside the boundary lines represent portions of the cosmetics bottle that form no part of the claimed design.

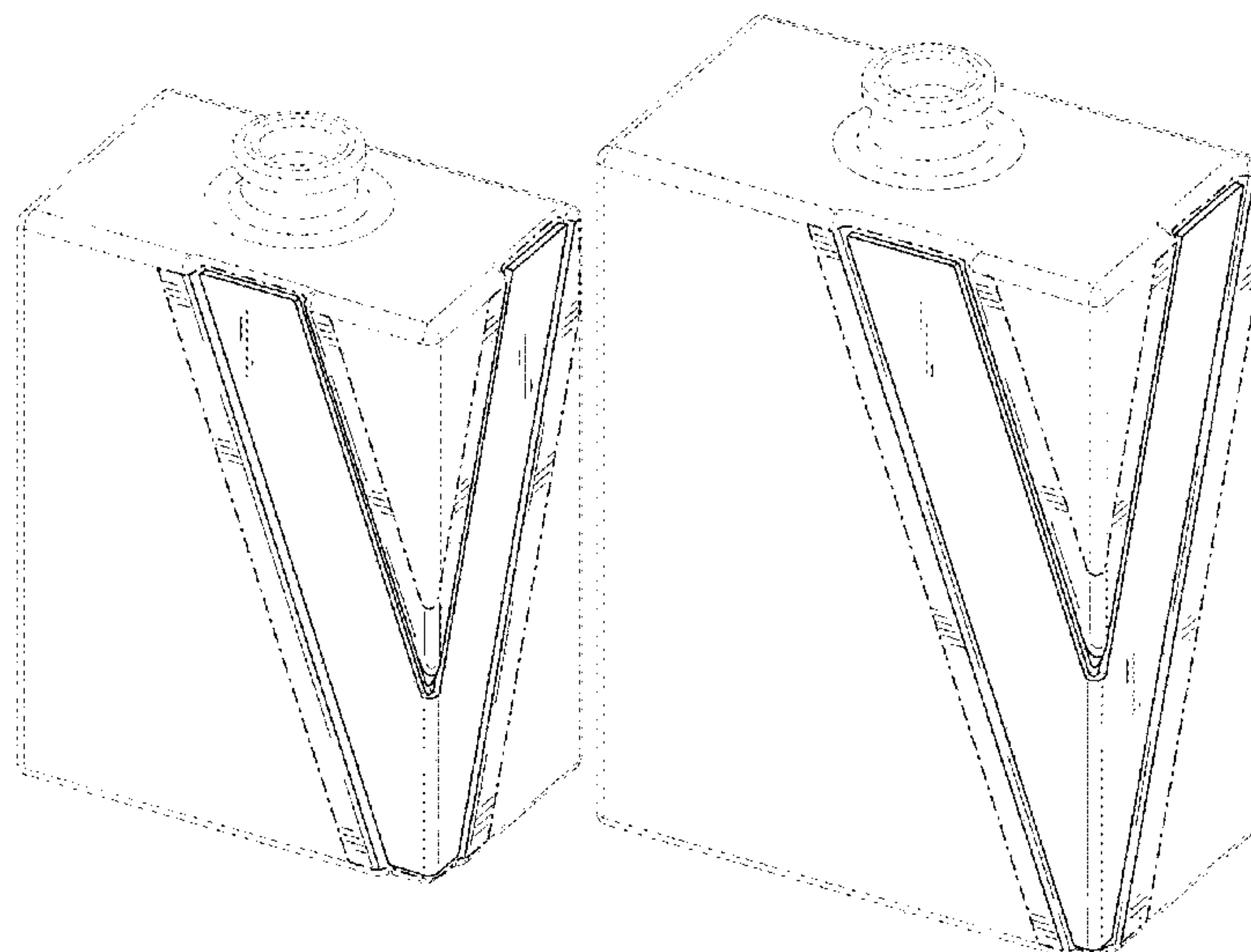
FOREIGN PATENT DOCUMENTS

GB 8202986000-1000 \* 3/2019

JP D1670318 \* 10/2020

WO WO-D203160-001 \* 8/2020

**1 Claim, 12 Drawing Sheets**



(58) **Field of Classification Search**

USPC .... D9/570, 575, 715, 719; D28/4-7, 76-79,  
D28/82-83, 91.1; D3/202, 203.2, 901;  
D14/485-493; 215/382-383; D11/157,  
D11/200, 229, 116, 131, 86  
CPC . A61K 9/48; A61K 8/02; B65D 35/10; B65D  
35/24; B65D 35/28; B65D 35/02; B65D  
35/04; B65D 35/08; B65D 35/36; B65D  
35/38; B65D 5/0227; B65D 5/001; B65D  
5/0254; B65D 5/0045; B65D 5/18; B65D  
5/2033; B65D 5/38; B65D 47/2018  
See application file for complete search history.

(56) **References Cited**

U.S. PATENT DOCUMENTS

D259,173 S \* 5/1981 Lauren ..... D9/560  
D441,314 S \* 5/2001 Nisguretsky ..... D11/86

D469,357 S \* 1/2003 Verherbrugghen ..... D9/554  
D507,174 S \* 7/2005 Katz ..... D9/738  
D536,259 S \* 2/2007 Herrmann ..... D9/573  
D589,814 S \* 4/2009 Holzner ..... D9/563  
D614,040 S \* 4/2010 Holmes ..... D9/542  
D656,838 S \* 4/2012 Mouquet ..... D9/652  
D664,039 S \* 7/2012 Monteparo ..... D9/600  
D705,663 S \* 5/2014 Guichot ..... D9/546  
D711,426 S \* 8/2014 Hollobaugh ..... D14/490  
D790,356 S \* 6/2017 Mai ..... D9/652  
D924,718 S \* 7/2021 Rizzo ..... D11/81

OTHER PUBLICATIONS

Diesel Bad Eau de Toilette Spray for Men. Date first available: Oct.  
18, 2021. Site visited: Sep. 6, 2022. Available online: [https://www.amazon.com/Diesel-Bad-Toilette-Spray-Cologne/dp/B09CF27CW5/ref=cm\\_cr\\_arp\\_d\\_product\\_top?ie=UTF8](https://www.amazon.com/Diesel-Bad-Toilette-Spray-Cologne/dp/B09CF27CW5/ref=cm_cr_arp_d_product_top?ie=UTF8) (Year: 2021).\*

\* cited by examiner

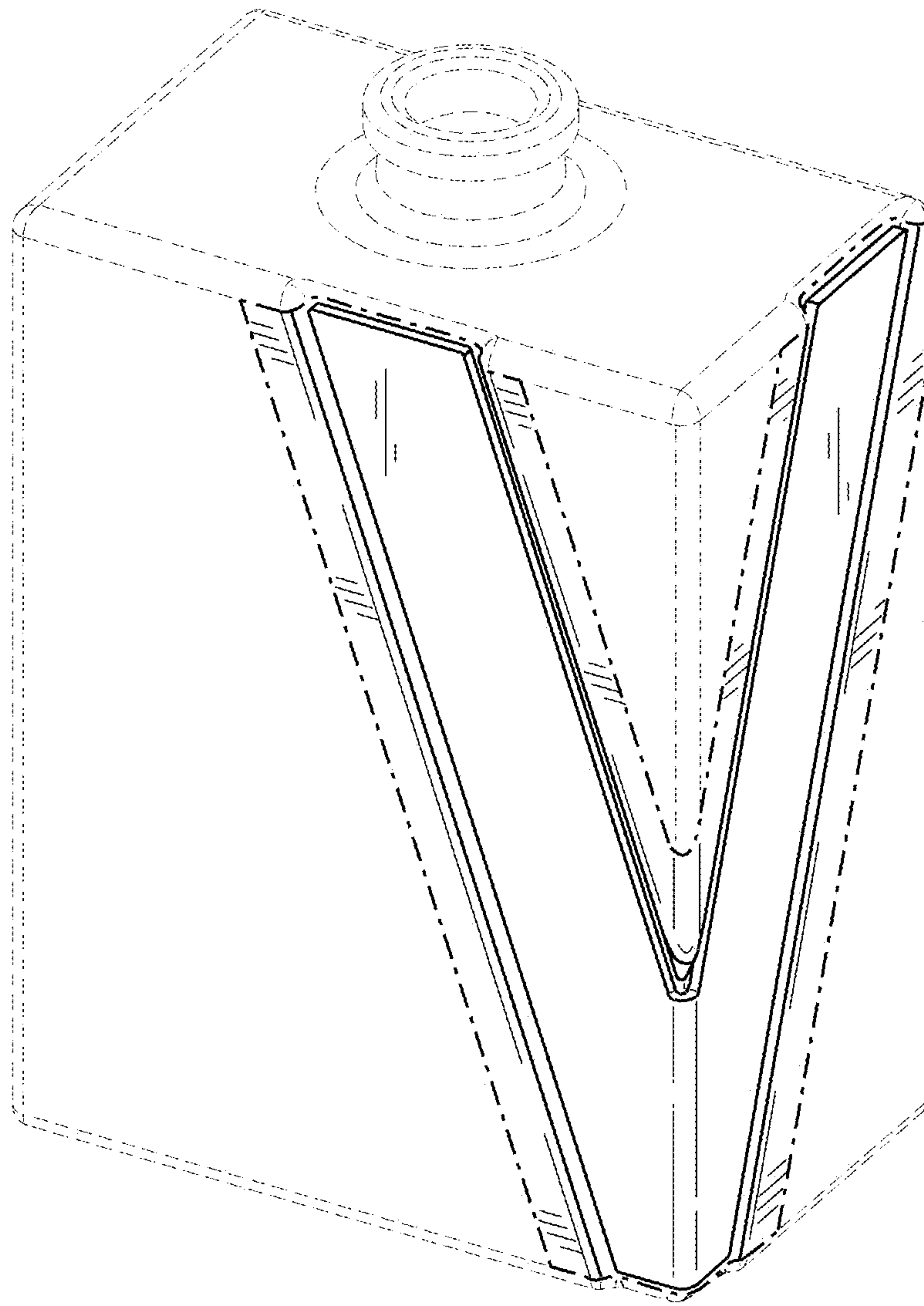


FIG. 1

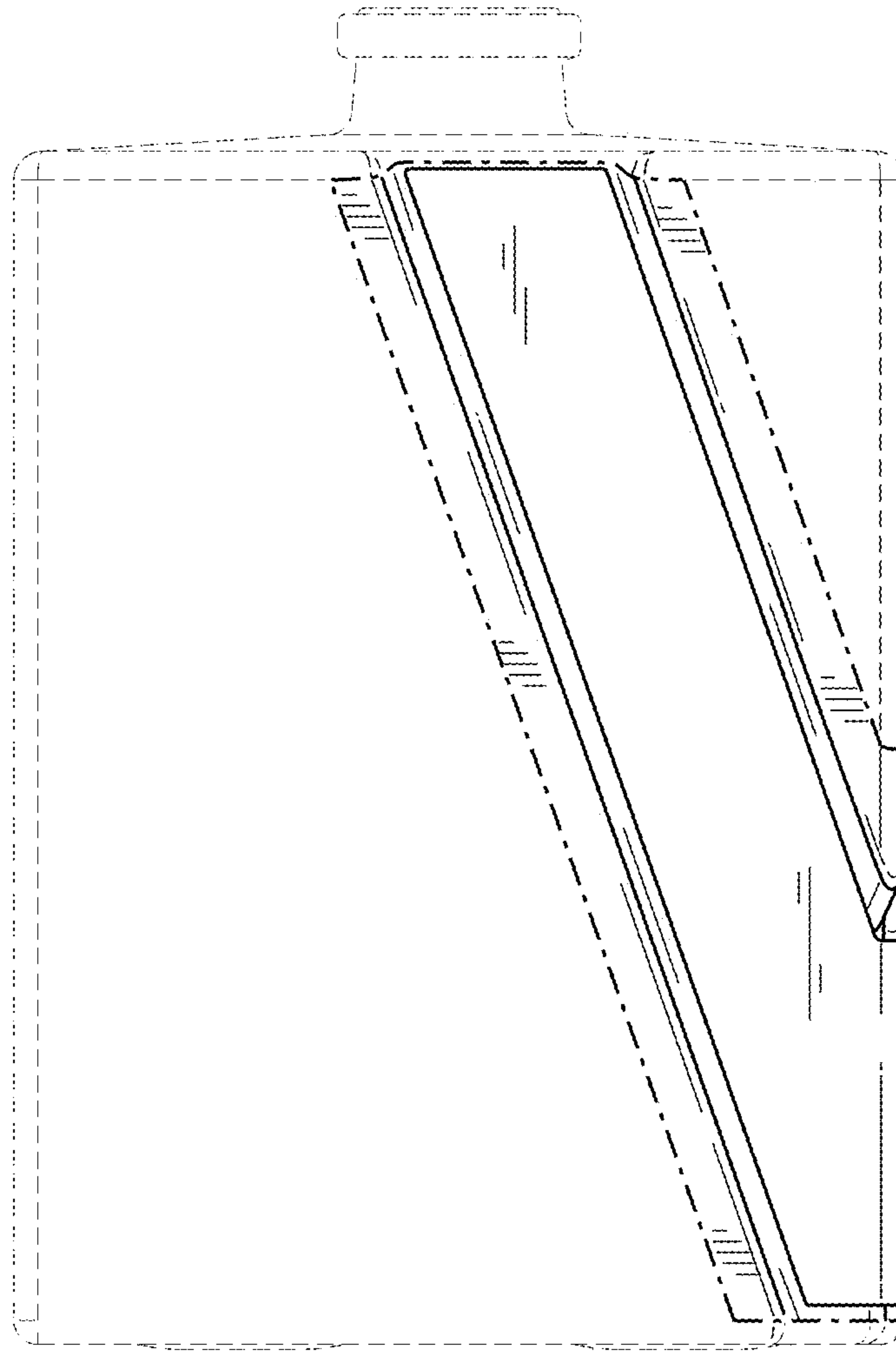


FIG. 2

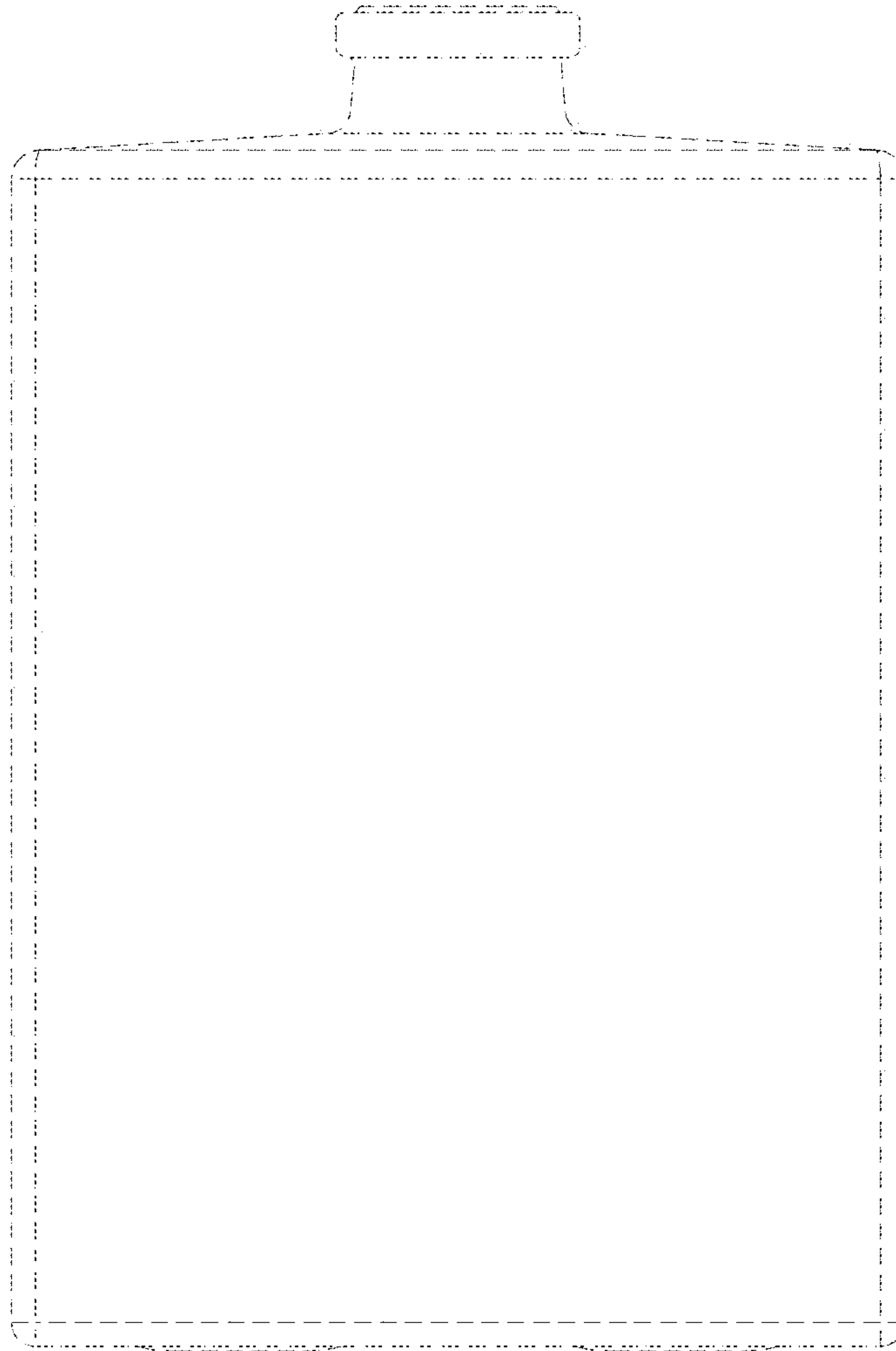


FIG. 3

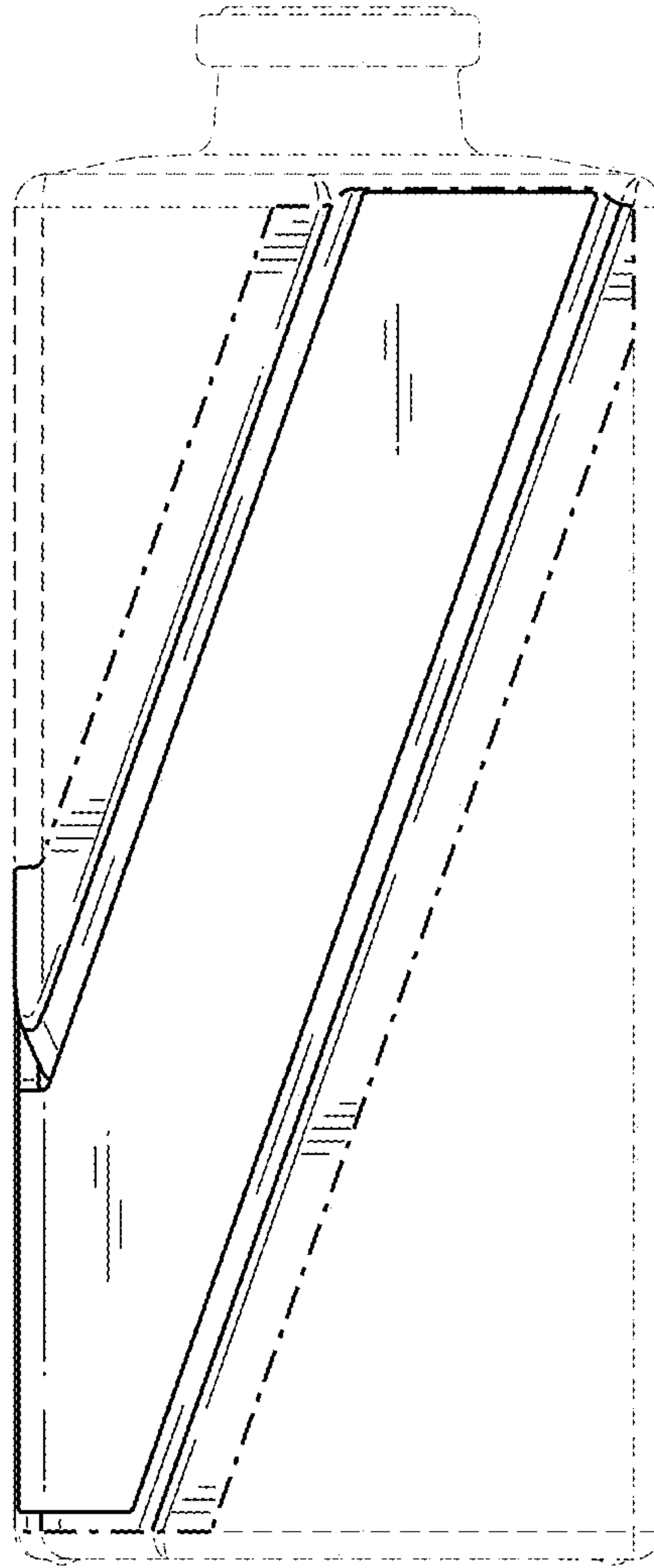


FIG. 4



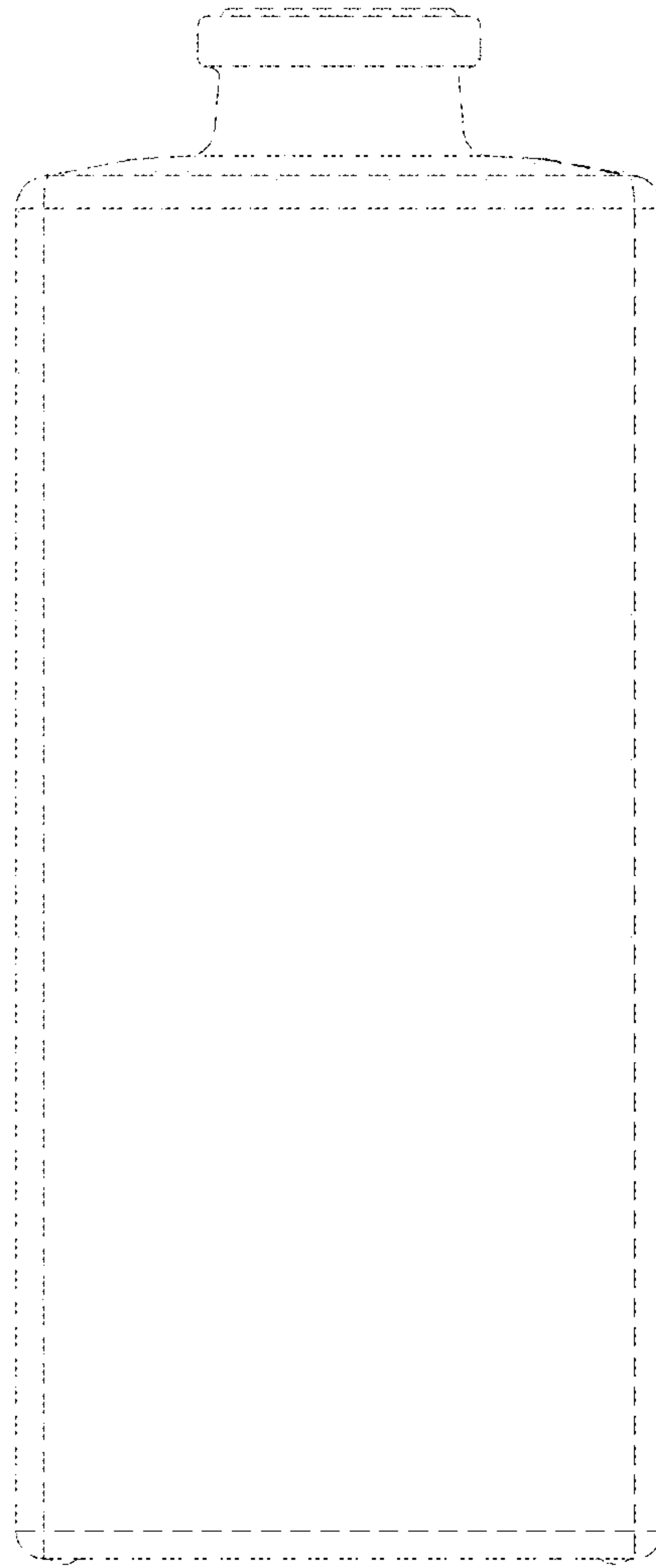


FIG. 5

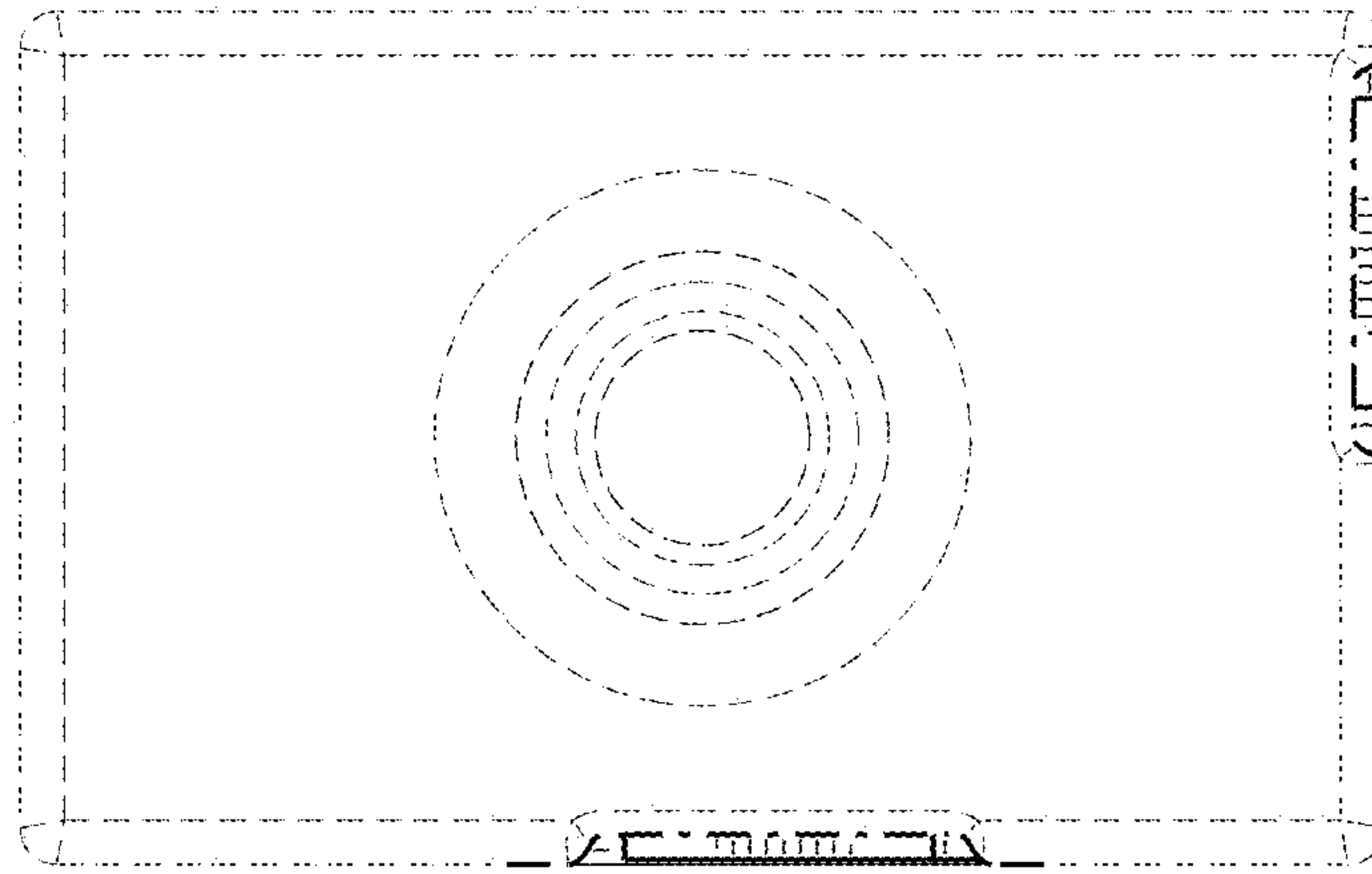


FIG. 6

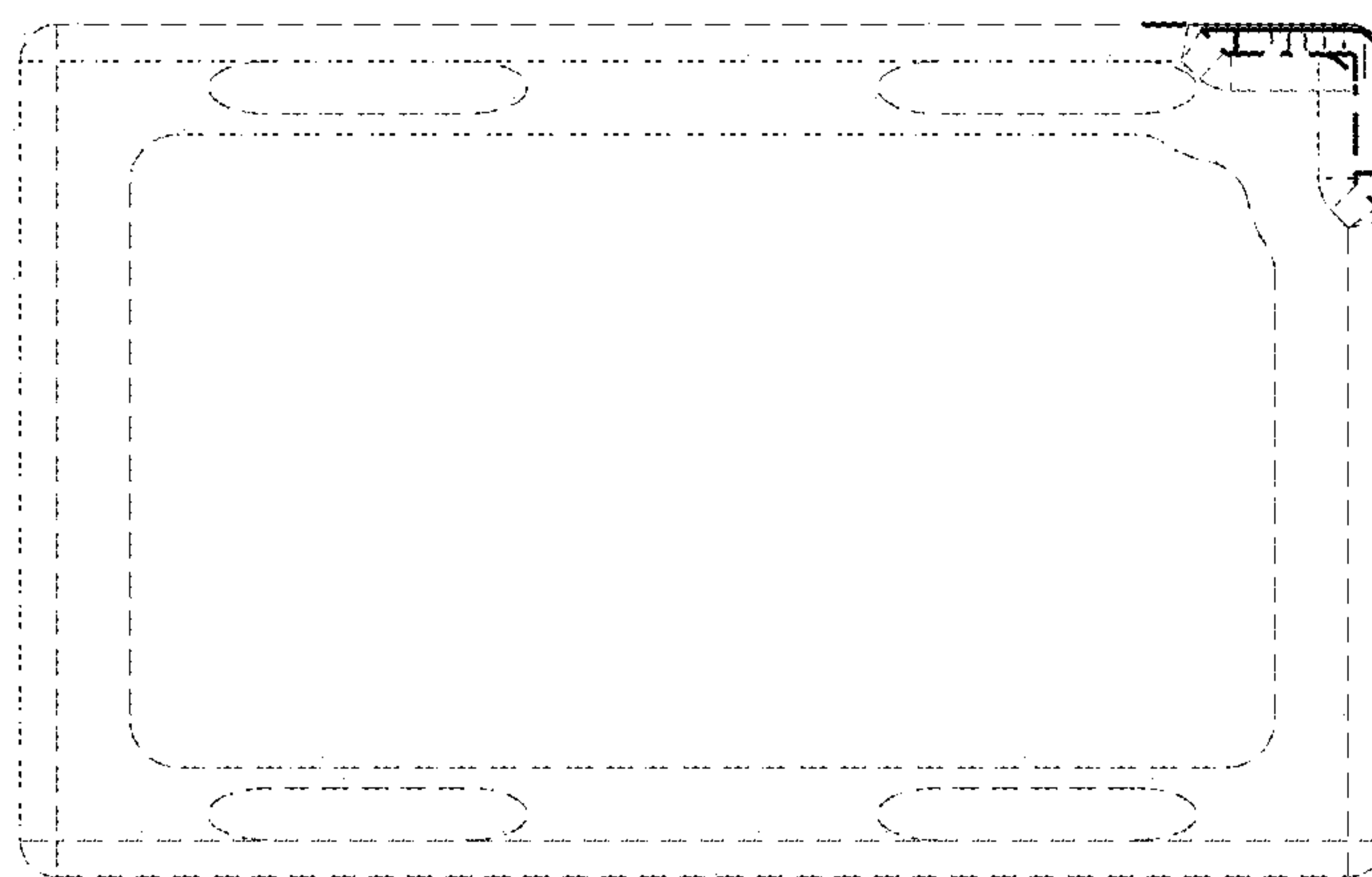


FIG. 7



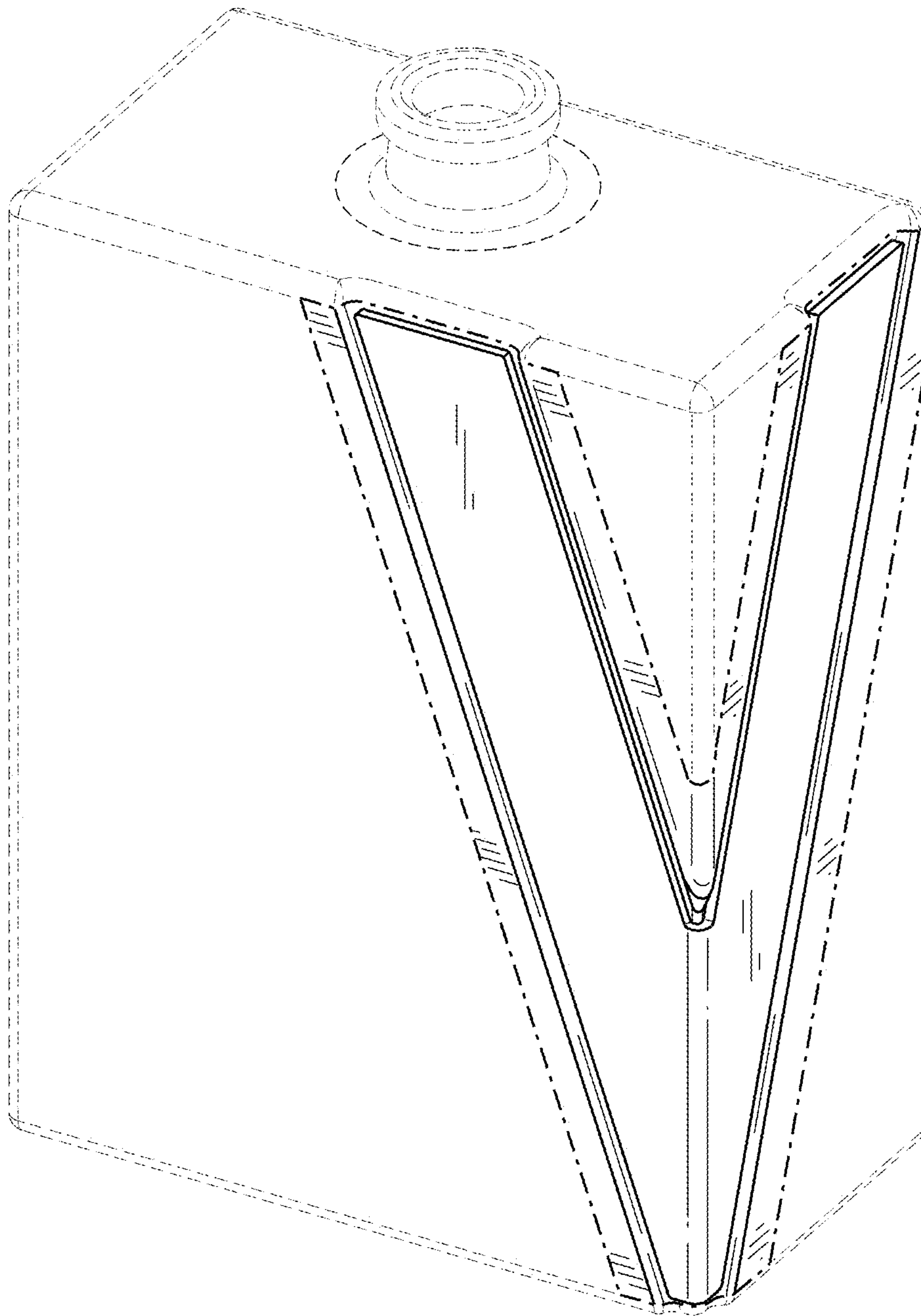


FIG. 8

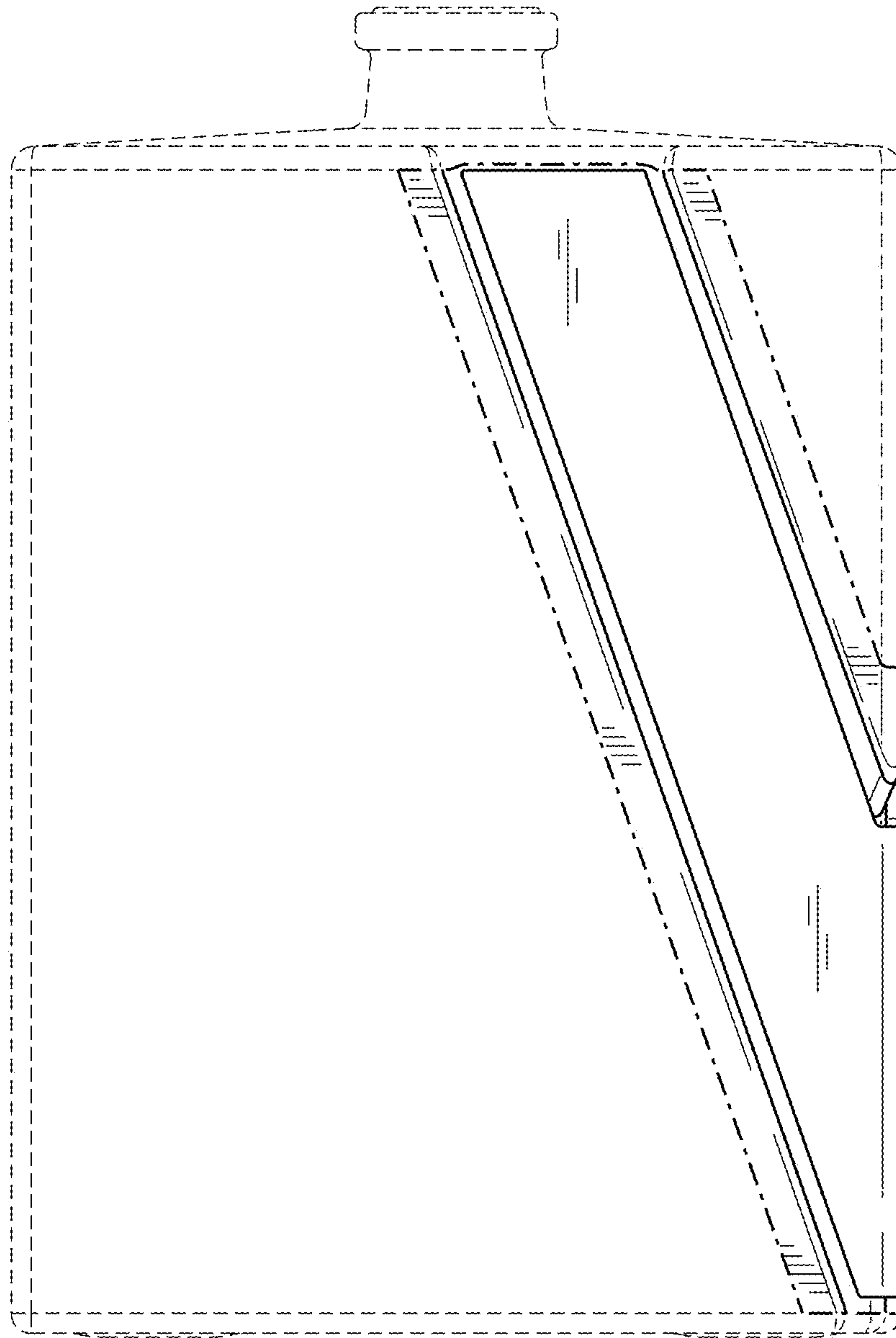


FIG. 9

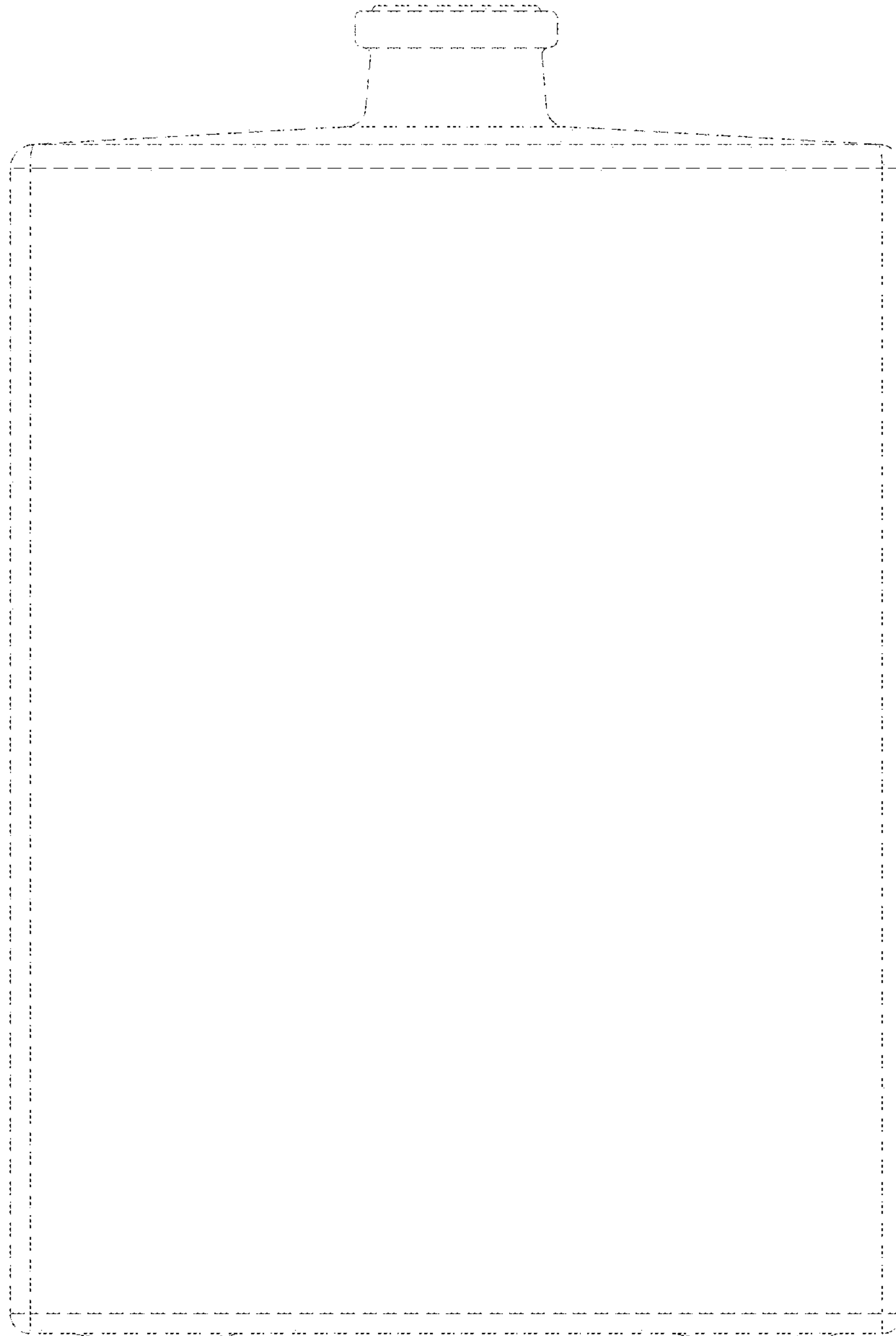


FIG. 10

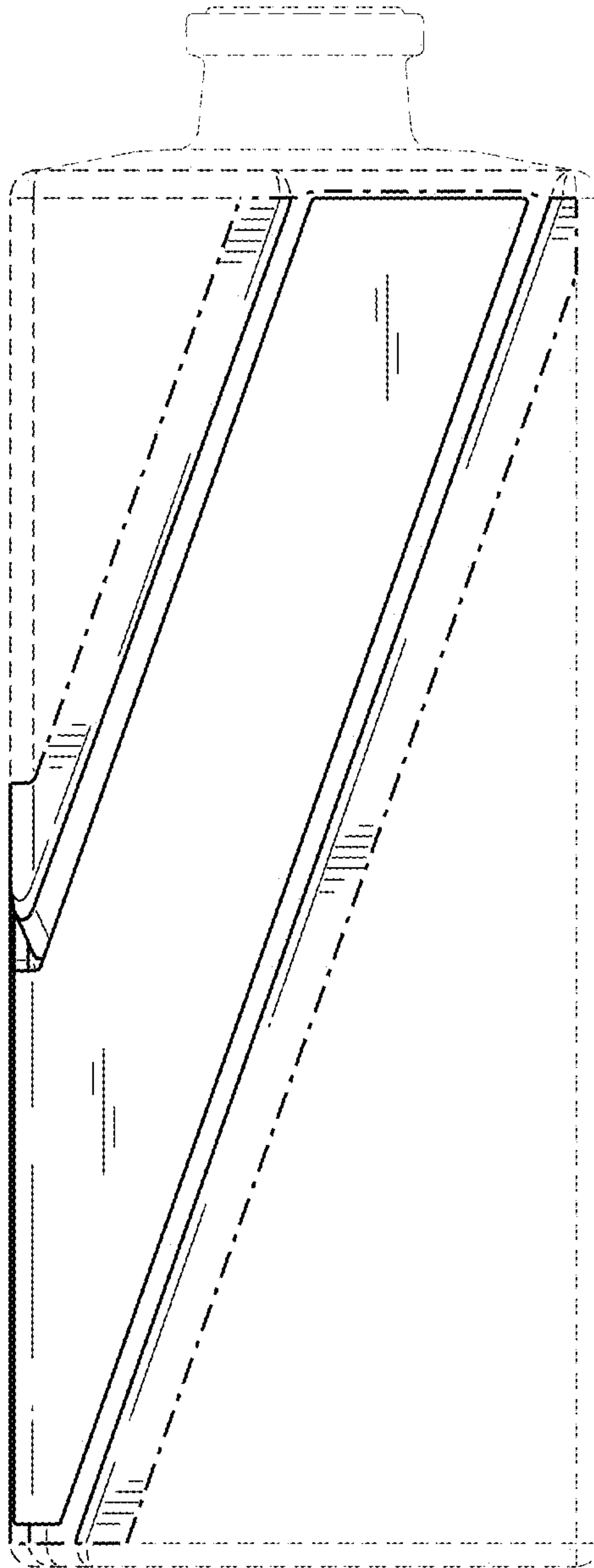


FIG. 11

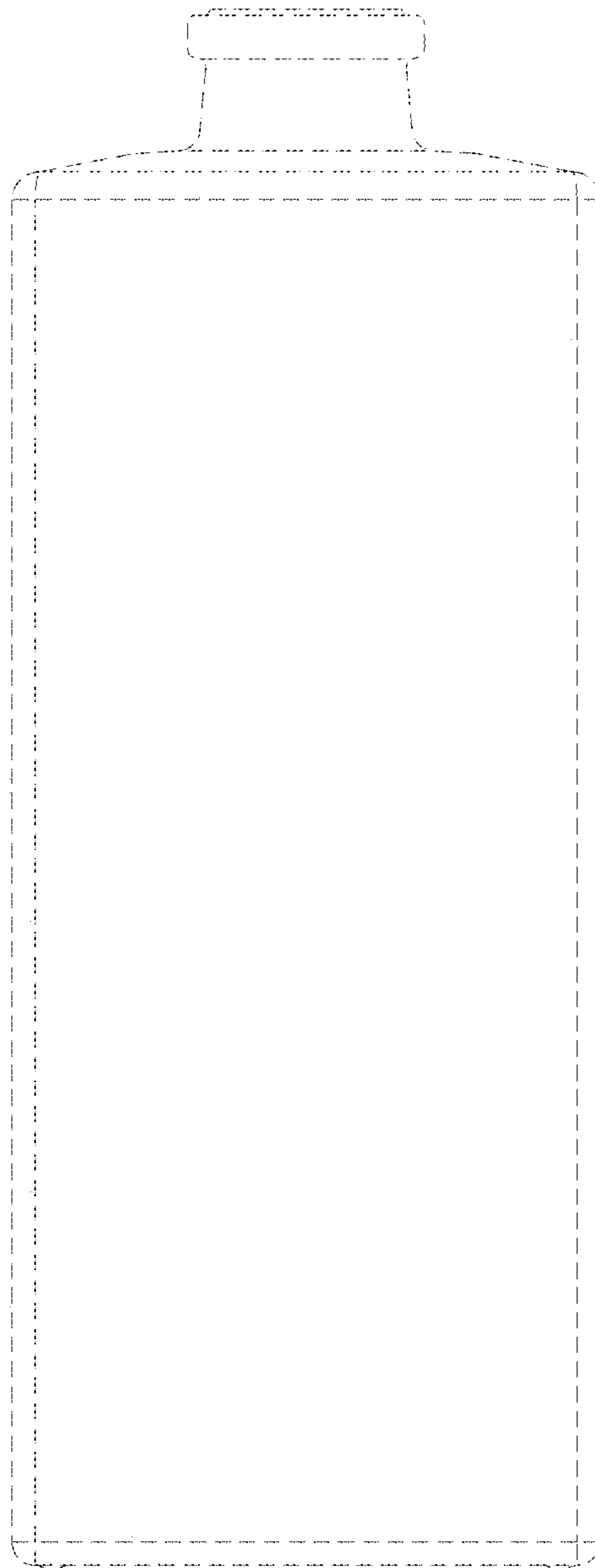


FIG. 12

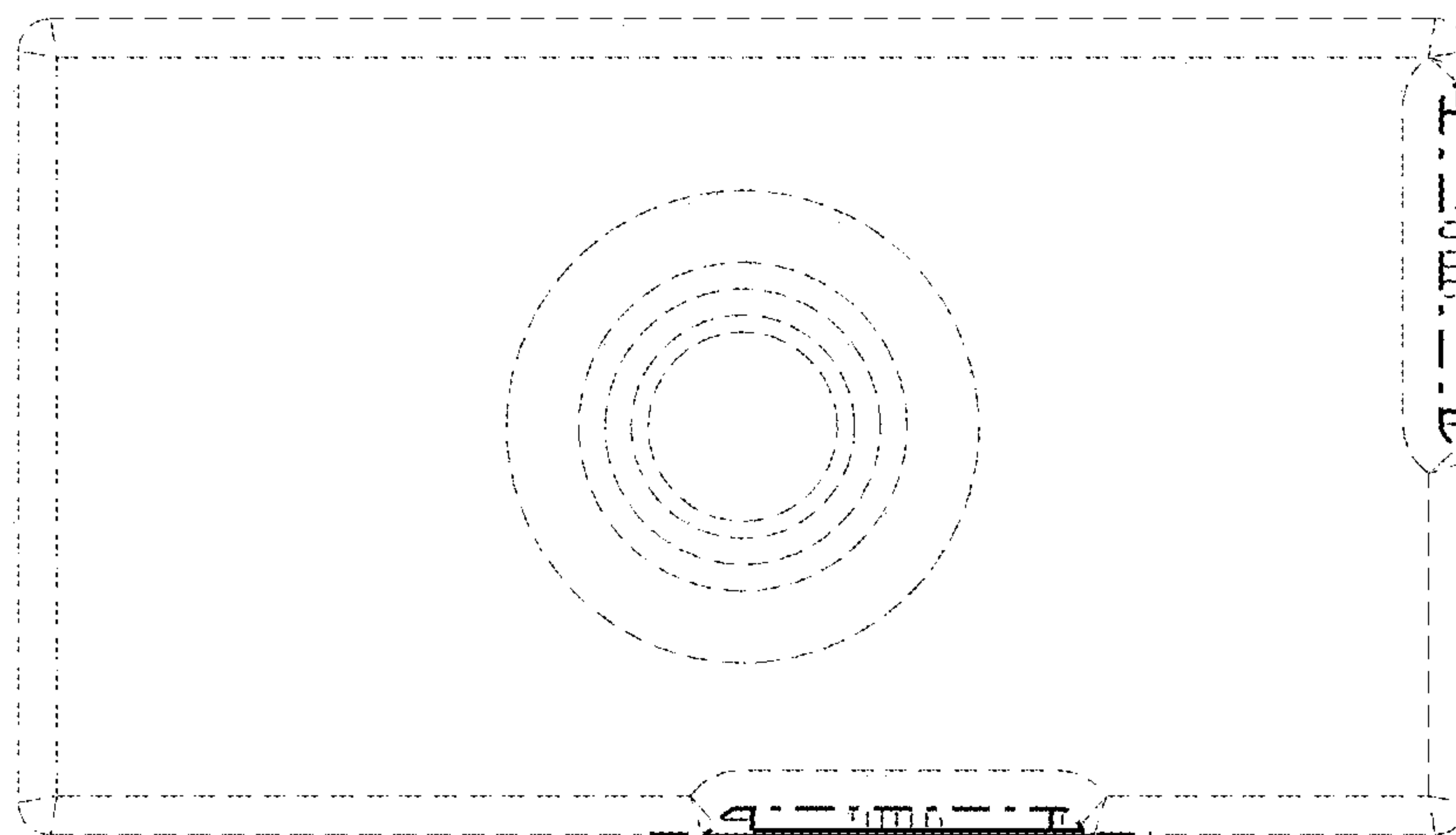


FIG. 13

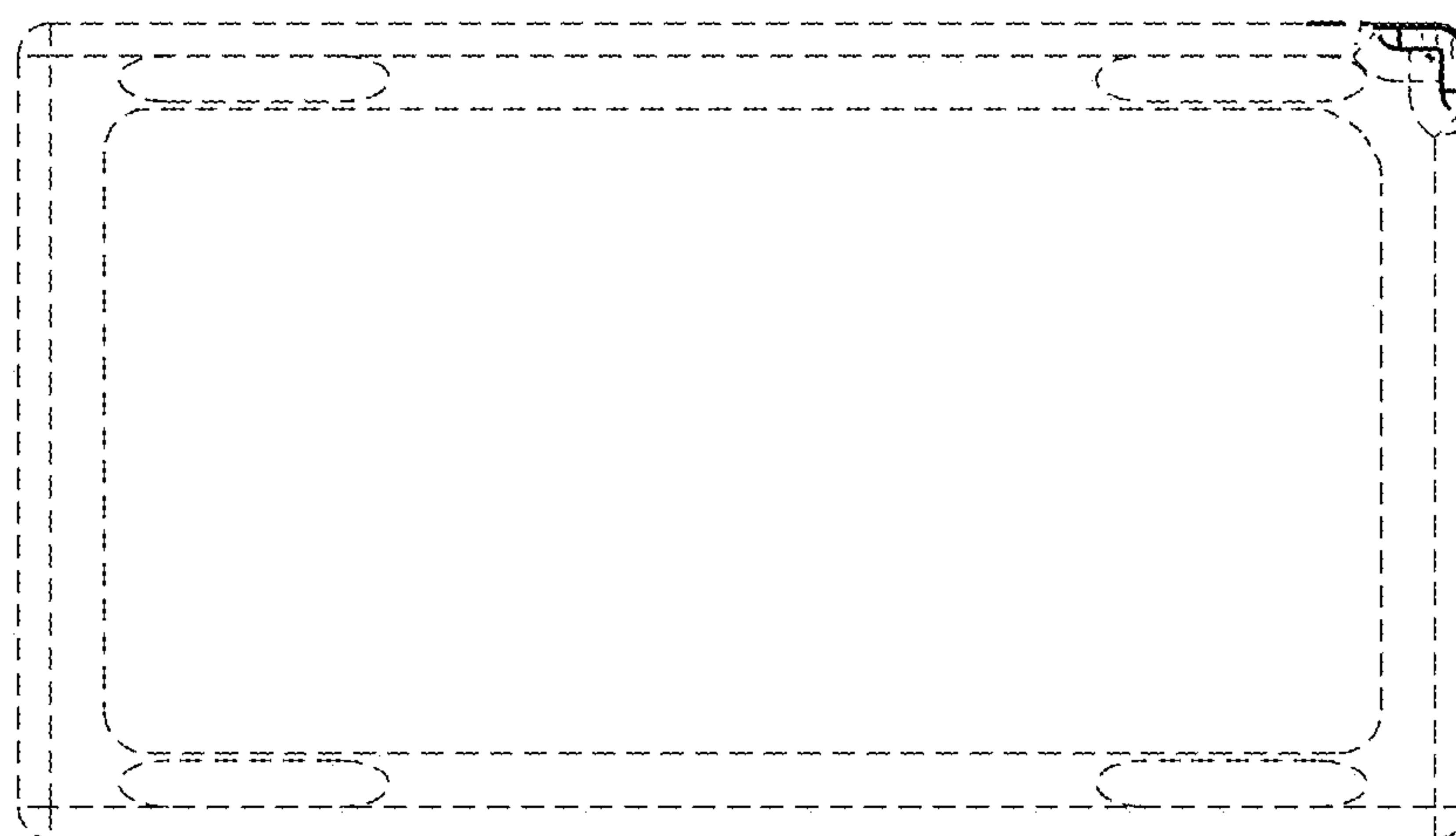


FIG. 14