



US00D974910S

(12) **United States Design Patent**
Collins et al.

(10) **Patent No.:** **US D974,910 S**
(45) **Date of Patent:** **** Jan. 10, 2023**

(54) **TENNIS BALL CONTAINER OVERCAP**

(71) Applicant: **Wilson Sporting Goods Co.**, Chicago, IL (US)

(72) Inventors: **Jason B. Collins**, Wilmette, IL (US);
Christopher W. Ryan, Bartlett, IL (US)

(73) Assignee: **Wilson Sporting Goods Co.**, Chicago, IL (US)

(**) Term: **15 Years**

(21) Appl. No.: **29/723,103**

(22) Filed: **Feb. 4, 2020**

(51) **LOC (14) Cl.** **09-07**

(52) **U.S. Cl.**
USPC **D9/454**

(58) **Field of Classification Search**
USPC D7/387, 391, 392, 392.1, 393, 396,
D7/396.1, 396.2, 397, 398, 400, 414, 509,
D7/510, 511; D28/18; D24/121, 162,
D24/224; D23/259, 260, 261, 265;
D9/434, 435, 436, 443, 445, 452, 453,
D9/454, 455, 499, 686, 690; D3/202
CPC B65D 41/02; B65D 41/10; B65D 41/62;
B65D 41/46; B65D 41/465; B65D
2251/009; B65D 2251/0015; B65D 51/20;
B65D 17/02; B65D 2401/20; B65D
2251/0071; B65D 2251/20; B65D 1/00;
B65D 1/02; B65D 1/10; B65D 1/46;
B65D 2585/56; B65D 2585/545; B65D
50/06; B65D 1/01; A63B 39/025; A63B
2102/02; E05B 55/00; Y10T 292/1047;
Y10T 292/1089; Y10T 292/865; Y10T
292/097; Y10T 292/0938; Y10T
292/0834; Y10T 292/1014; Y10T
292/0959; A61J 1/00; A61J 1/1412

See application file for complete search history.

(56) **References Cited**

U.S. PATENT DOCUMENTS

3,421,648 A * 1/1969 Giessler B65D 51/145
215/276
3,899,096 A * 8/1975 Marco B65D 1/46
215/335

(Continued)

OTHER PUBLICATIONS

Wilson US Open Extra Duty Match Competition Tennis Balls:
Announced [Jun. 11, 2017, online]. Site Visited [Mar. 16, 2022].
Available from Internet URL: <https://www.walmart.com/ip/Wilson-US-Open-Extra-Duty-Match-Competition-Tennis-Balls-3-Ball-Can/174203541?wmlspartner=wlp&selectedSellerId%E2%80%A6>.*

(Continued)

Primary Examiner — Catherine S Posthauer

(74) *Attorney, Agent, or Firm* — Terence P. O'Brien

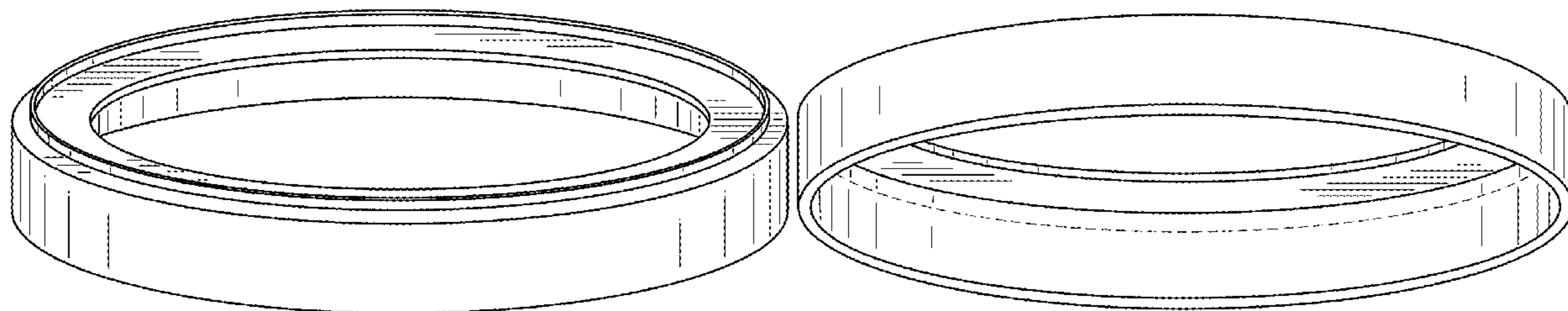
(57) **CLAIM**

We claim the ornamental design for a tennis ball container overcap, as shown and described.

DESCRIPTION

FIG. 1 is a side perspective view of a tennis ball container over cap, shown in a position of use with exemplary environmental subject matter;
FIG. 2 is a top, side perspective view of the tennis ball container over cap of FIG. 1, shown with the exemplary environmental subject matter removed to show aspects of the design not visible when combined;
FIG. 3 is a bottom, side perspective view thereof;
FIG. 4 is a top view thereof;
FIG. 5 is a bottom view thereof;
FIG. 6 is a first side view thereof; and,
FIG. 7 is a second side view thereof.

(Continued)



The broken lines are shown for the purpose of illustrating both parts of the article as well as exemplary environmental subject matter. None of the broken lines form part of the claimed design.

1 Claim, 5 Drawing Sheets

(56)

References Cited

U.S. PATENT DOCUMENTS

D311,140	S	*	10/1990	Nelson	D9/454
D321,325	S	*	11/1991	Petrus	D9/435
D327,604	S	*	7/1992	Culverson	D34/39
D327,845	S		7/1992	Behm et al.		
D338,621	S	*	8/1993	Balson	D9/434
D346,433	S	*	4/1994	Cooper	D23/259
D355,708	S	*	2/1995	Caine	D23/260
D384,550	S	*	10/1997	Dernoga	D7/391
D387,662	S		12/1997	Bright et al.		
5,848,690	A	*	12/1998	Granger	B65D 51/1677 206/315.9
D424,205	S		5/2000	Williams		
D489,611	S	*	5/2004	Monsanty	D32/54
D555,473	S		11/2007	Lilly et al.		
D586,434	S	*	2/2009	Brockington	D23/259
7,591,369	B2		9/2009	Lin et al.		

D604,614	S	*	11/2009	Janboecke	D9/454
D623,061	S	*	9/2010	Wong	D9/454
D681,176	S	*	4/2013	Chacko	D23/269
D717,469	S	*	11/2014	Nemeth	D24/224
D803,917	S	*	11/2017	Harada	D15/144.1
D804,556	S	*	12/2017	Harada	D15/144.1
D827,592	S	*	9/2018	Ichino	D13/182
D833,581	S	*	11/2018	Atwell	D23/259
D837,054	S	*	1/2019	Mallahan, III	D9/443
D840,364	S	*	2/2019	Ichino	D13/182
D854,736	S	*	7/2019	Moore	D26/124
D870,314	S	*	12/2019	Isozaki	D24/224
D871,608	S	*	12/2019	Okuda	D24/224
D871,609	S	*	12/2019	Isozaki	D24/224
D873,139	S	*	1/2020	Chapin	D9/453
D873,387	S	*	1/2020	Vogtner	D23/209
D875,525	S	*	2/2020	Griffis	D9/454
D896,675	S	*	9/2020	DiMartini	D10/128
D918,039	S	*	5/2021	Öztürk	D9/454
2020/0070010	A1		3/2020	Dillon et al.		
2021/0237942	A1	*	8/2021	Collins	B65D 41/02

OTHER PUBLICATIONS

Wilson US Open Extra Duty Match Competition Tennis Balls Customer Reviews: Announced Jun. 11, 2017, online]. Site Visited [Mar. 16, 2022]. Available from Internet URL: <https://www.walmart.com/reviews/product/174203541>.*

* cited by examiner

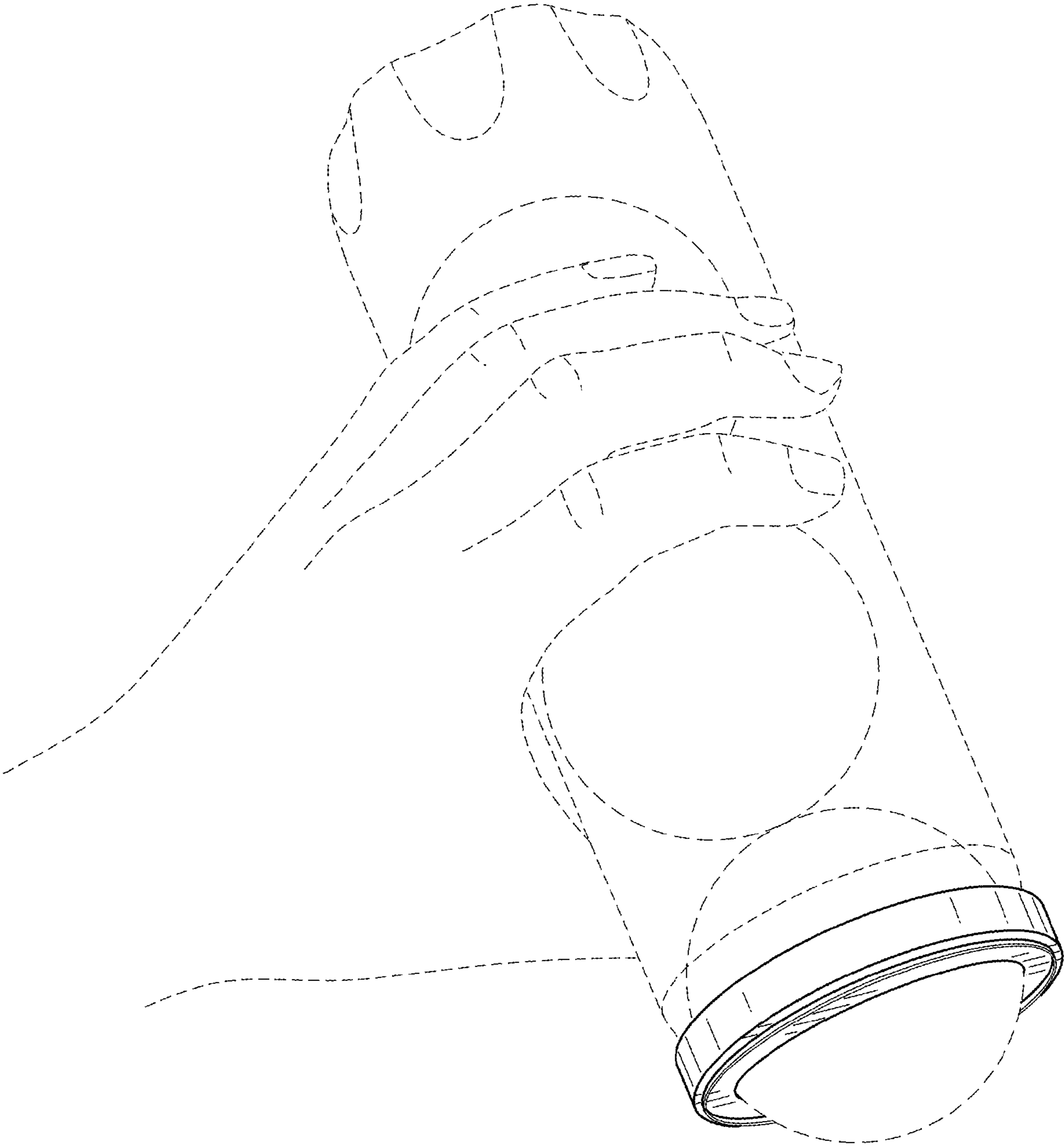


FIG. 1

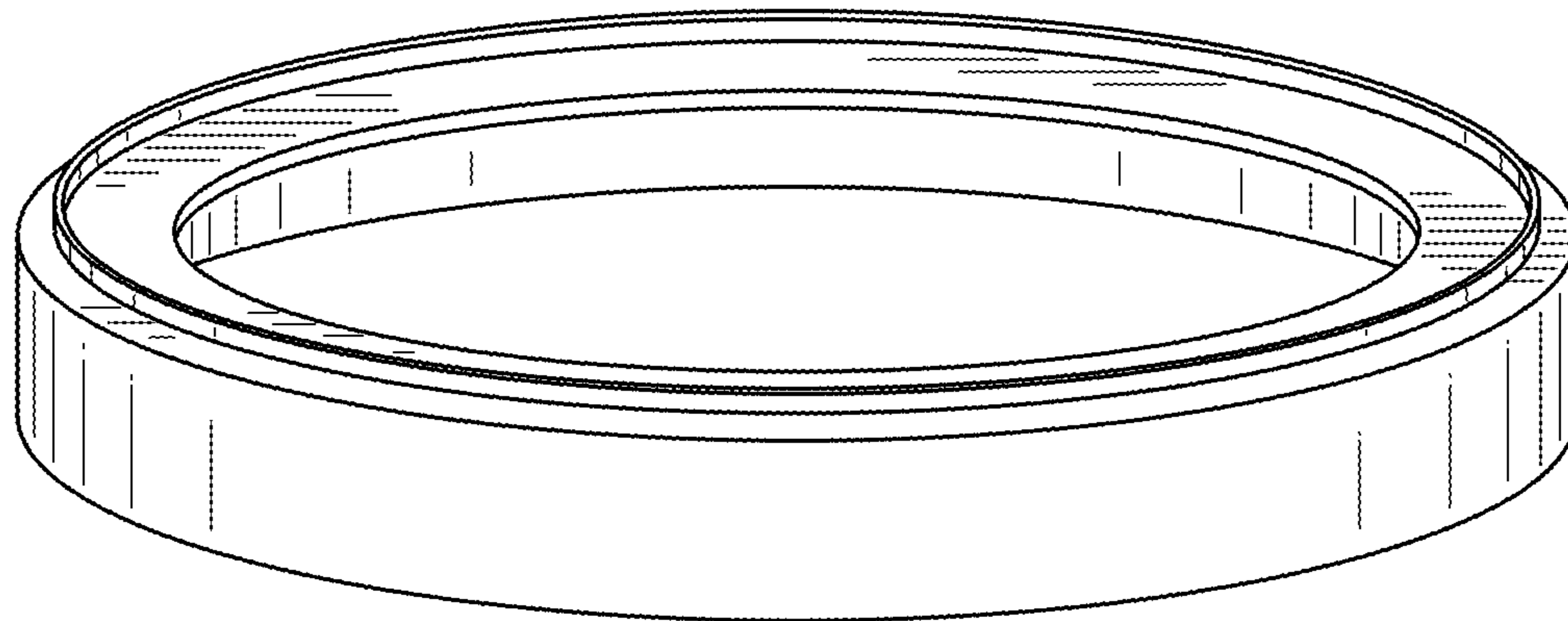


FIG. 2

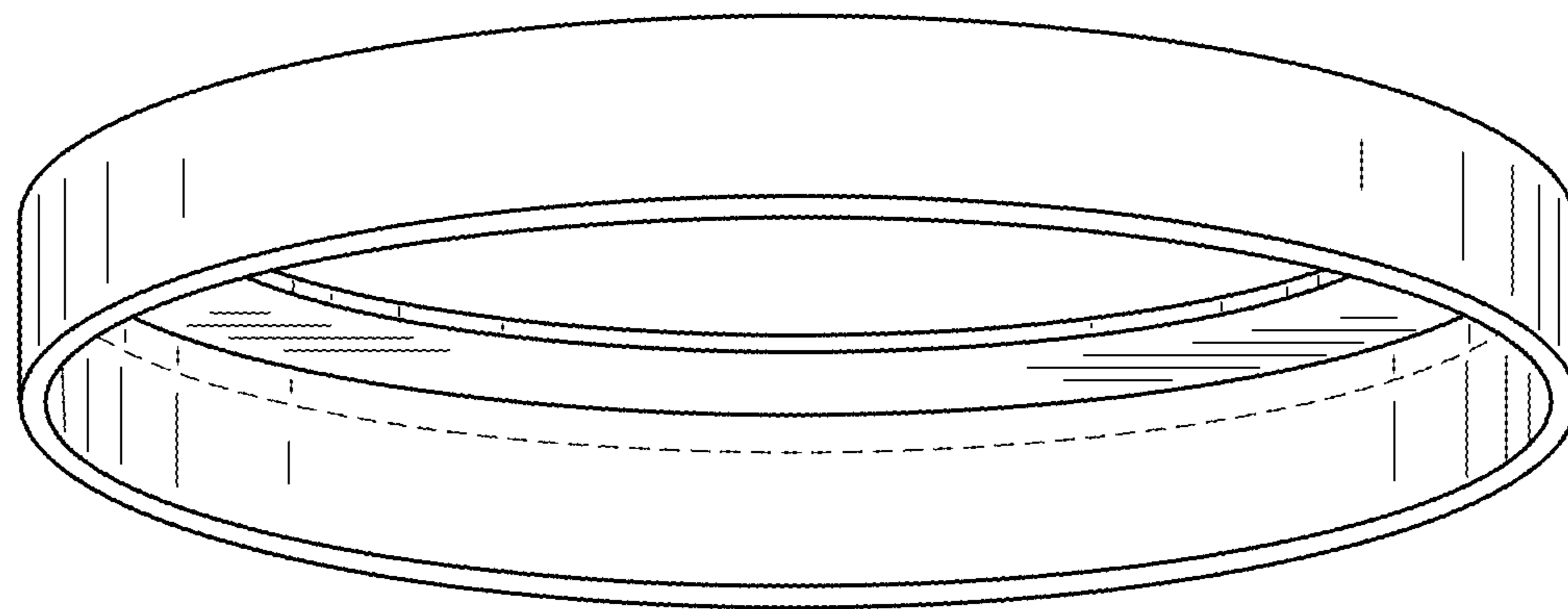


FIG. 3

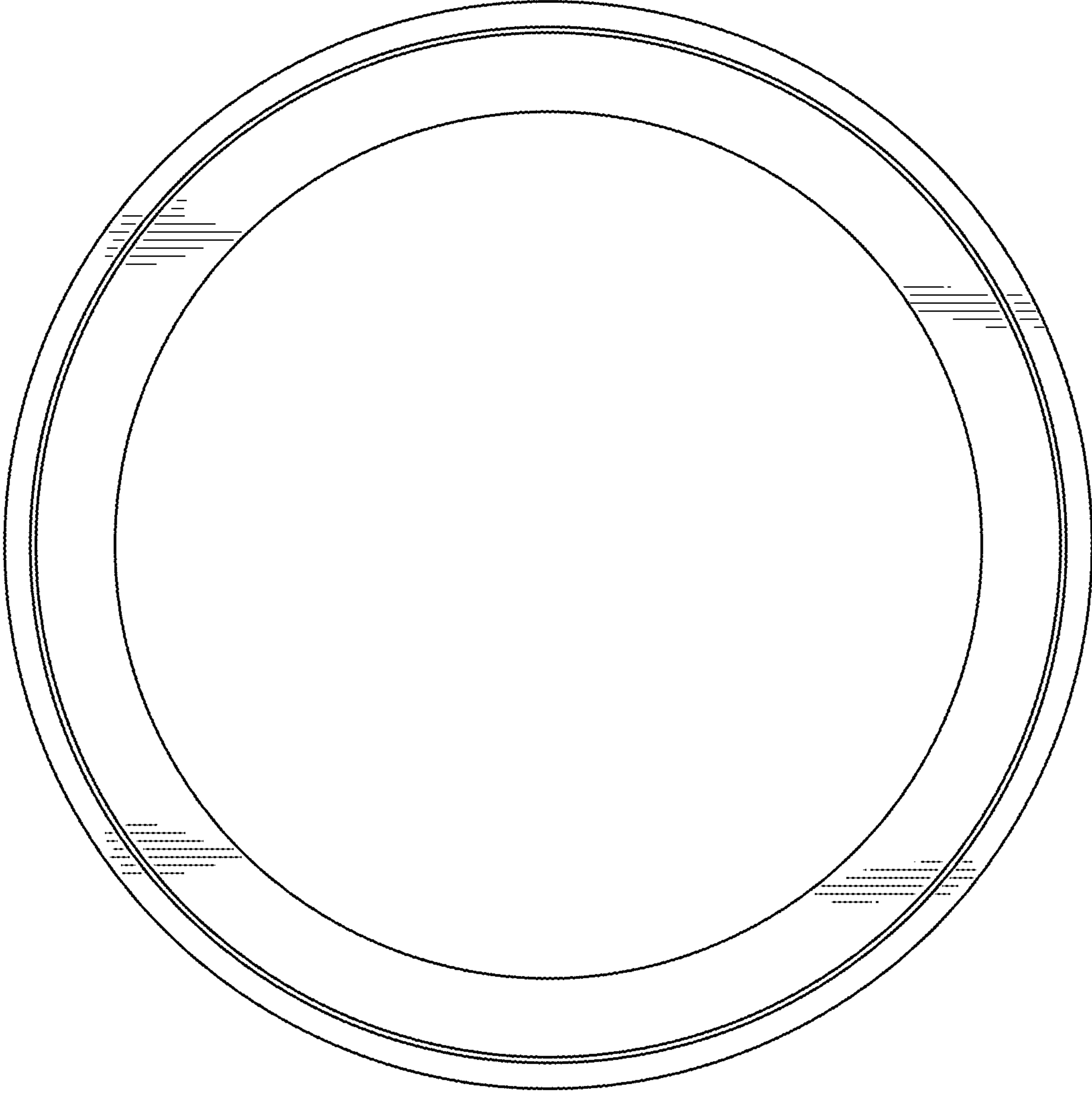


FIG. 4

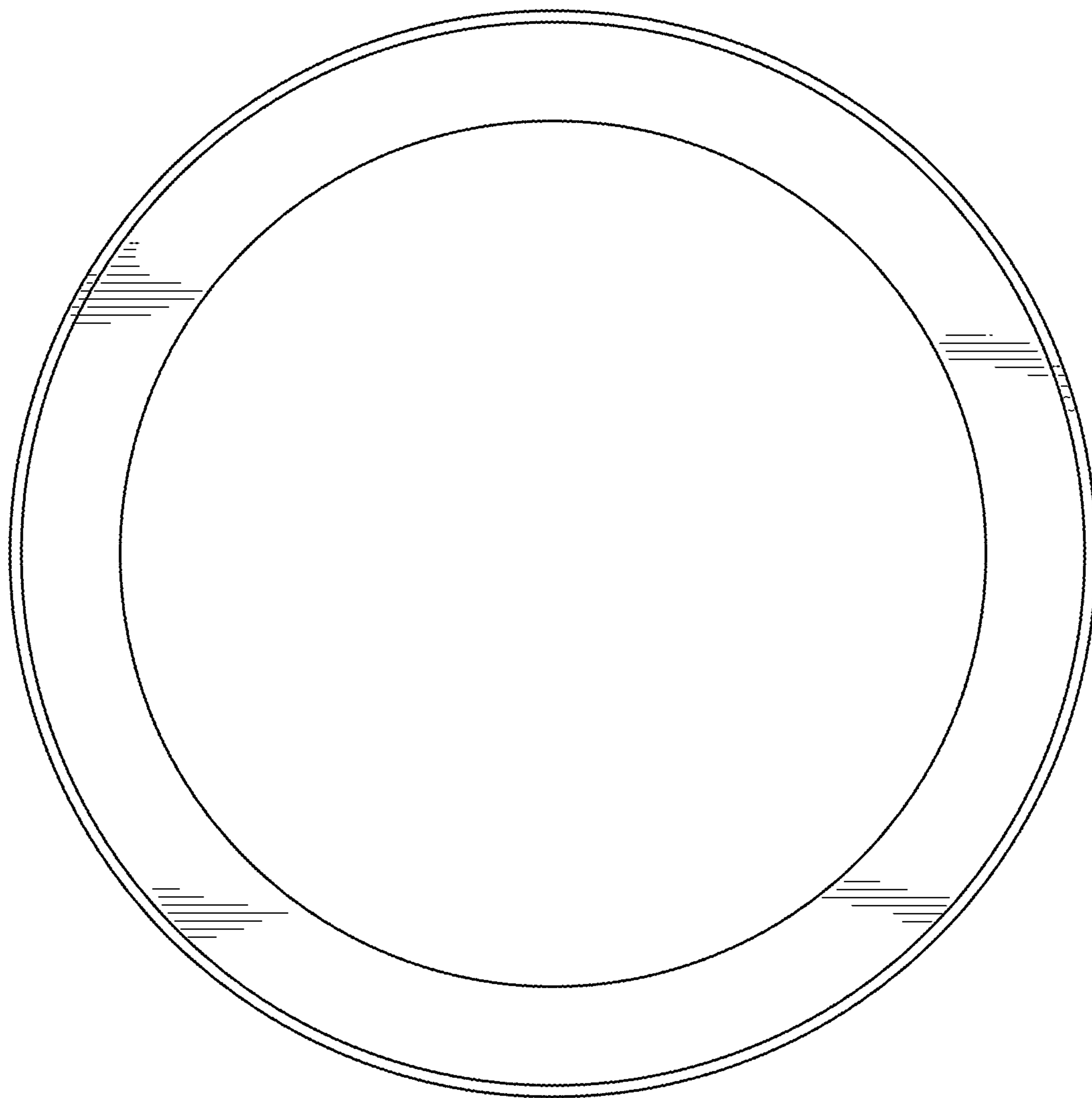


FIG. 5

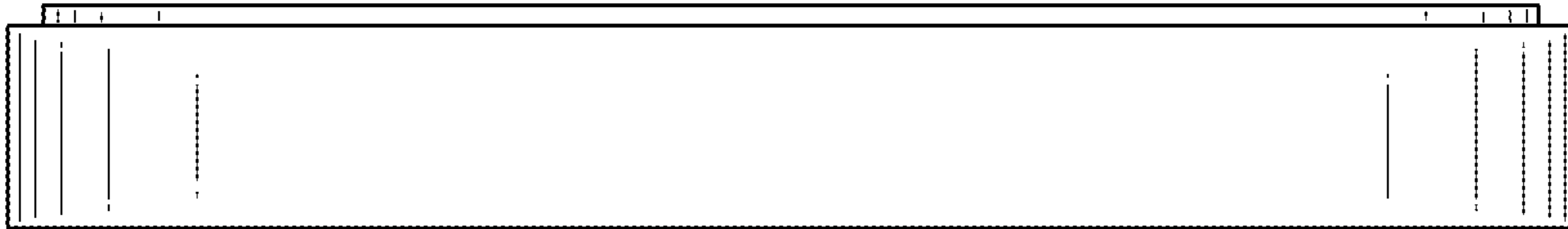


FIG. 6

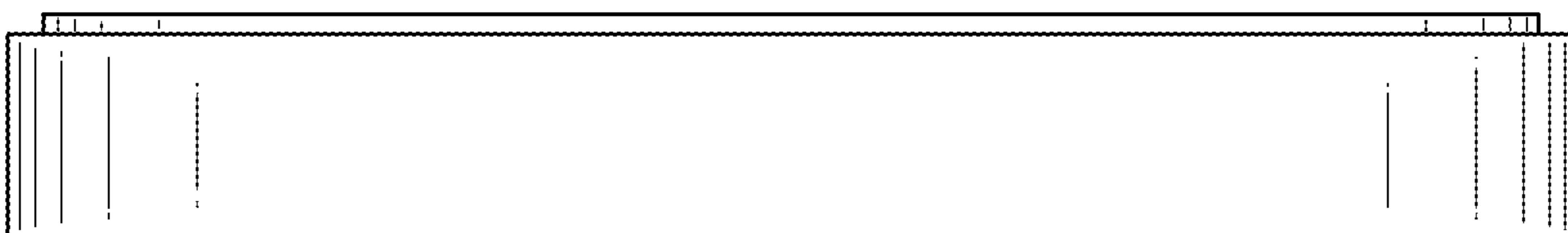


FIG. 7