



US00D974908S

(12) **United States Design Patent** (10) **Patent No.:** **US D974,908 S**
Bacher et al. (45) **Date of Patent:** **** Jan. 10, 2023**

(54) **MASON JAR LID**

(71) Applicant: **MASONTOPS, INC.**, Toronto (CA)

(72) Inventors: **Michael Bacher**, Toronto (CA); **Philip Baron**, Toronto (CA); **Brett Molnar**, Toronto (CA)

(73) Assignee: **MASONTOPS IP HOLDINGS, INC.**, Toronto (CA)

(**) Term: **15 Years**

(21) Appl. No.: **29/697,671**

(22) Filed: **Jul. 10, 2019**

(51) **LOC (14) Cl.** **09-07**

(52) **U.S. Cl.**
USPC **D9/447**

(58) **Field of Classification Search**
USPC D7/392, 392.1; D9/434, 445, 447, 454;
D22/122
CPC .. A61J 1/00; A61J 1/1412; B65D 1/00; B65D
1/02; B65D 1/10
See application file for complete search history.

(56) **References Cited**

U.S. PATENT DOCUMENTS

D92,382 S *	5/1934	McWilliams	D22/122
D223,854 S *	6/1972	Swett et al.	D7/392.1
D230,575 S *	3/1974	Commisso et al.	D7/392.1
3,796,002 A *	3/1974	Katsuda	A01M 1/2066 422/305
D267,782 S *	2/1983	Thompson	D9/447
D273,088 S *	3/1984	Anderson	D9/434
D284,093 S *	6/1986	Browne	D22/122
D295,261 S *	4/1988	Wetter	D9/454
D326,702 S *	6/1992	Demarest	D22/122

(Continued)

OTHER PUBLICATIONS

Masontops website, Trap cap fruit fly catching lids, Earliest review date Jan. 5, 2019, [site visited May 10, 2022], Available on the

Internet URL <https://www.masontops.com/collections/storage-solutions/products/trap-cap-fruit-fly-catching-lids-for-mason-jars-2-pack> (Year: 2019).*

Primary Examiner — S. Bryan Reinholdt, Jr.
(74) *Attorney, Agent, or Firm* — McAndrews Held & Malloy, Ltd.

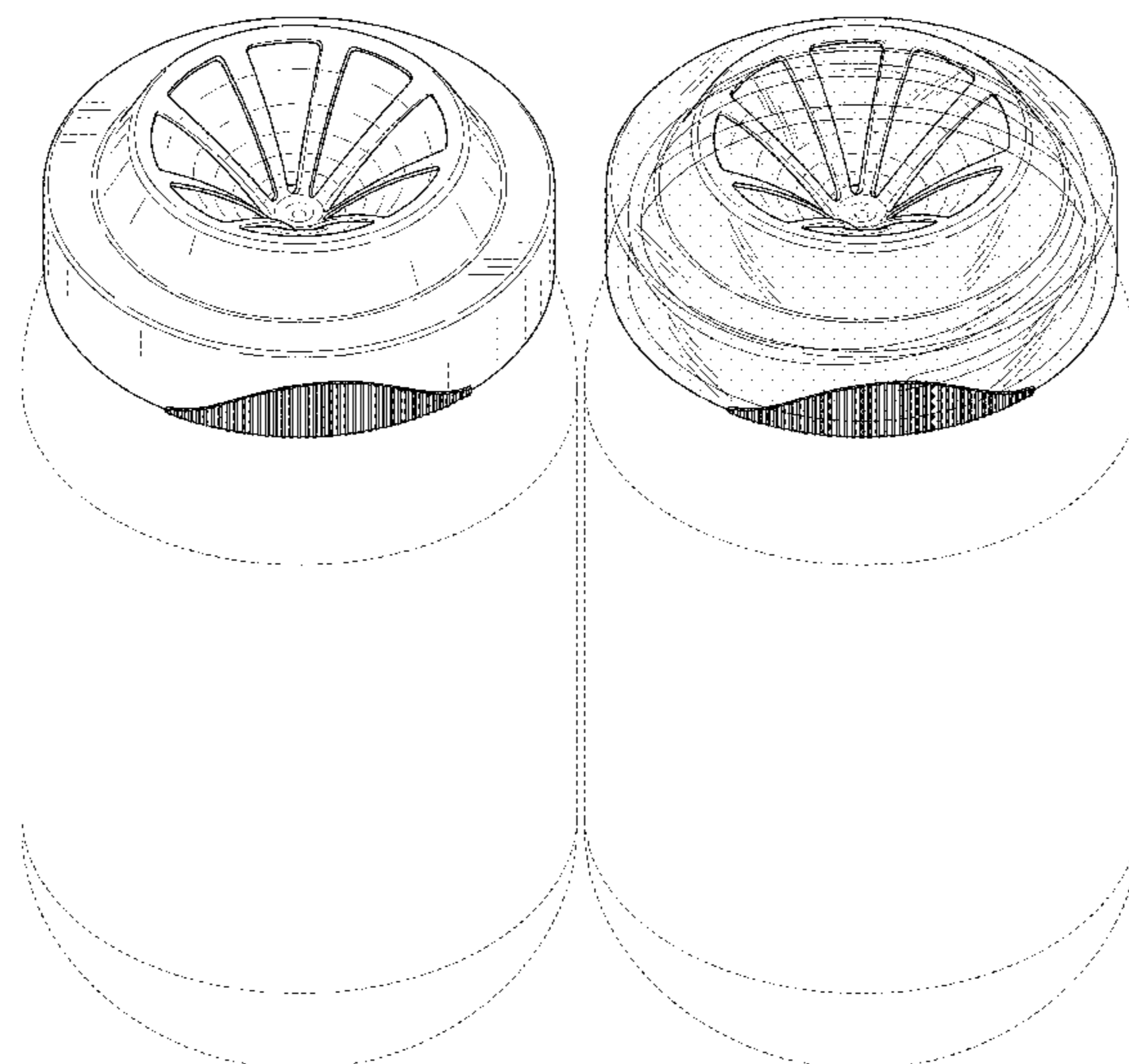
(57) **CLAIM**

The ornamental design for a mason jar lid, as shown and described.

DESCRIPTION

FIG. 1 is a top perspective view of a mason jar lid showing our new design according to a first embodiment; FIG. 2 is a front elevation view thereof; FIG. 3 is a rear elevation view thereof; FIG. 4 is a right side elevation view thereof; FIG. 5 is a left side elevation view thereof; FIG. 6 is a top plan view thereof; FIG. 7 is a bottom plan view thereof; FIG. 8 is a bottom perspective view thereof; FIG. 9 is the top perspective view of FIG. 1, showing the mason jar lid on a mason jar; FIG. 10 is a top perspective view of a mason jar lid showing our new design according to a second embodiment; FIG. 11 is a front elevation view thereof; FIG. 12 is a rear elevation view thereof; FIG. 13 is a right side elevation view thereof; FIG. 14 is a left side elevation view thereof; FIG. 15 is a top plan view thereof; FIG. 16 is a bottom plan view thereof; FIG. 17 is a bottom perspective view thereof; and, FIG. 18 is the top perspective view of FIG. 10, showing the mason jar lid on a mason jar. The broken line showing of a mason jar in FIGS. 9 and 18 is for the purpose of illustrating environmental structure that forms no part of the claimed design.

1 Claim, 12 Drawing Sheets



(56)

References Cited

U.S. PATENT DOCUMENTS

D328,486	S	*	8/1992	Sase	D22/122
D333,754	S	*	3/1993	Conti	D7/392.1
D348,715	S	*	7/1994	Warner	D22/122
D377,961	S	*	2/1997	Dickson	D22/122
D383,827	S	*	9/1997	Barbone	D22/122
D562,626	S	*	2/2008	Freeman	D7/391
D573,461	S	*	7/2008	Karam	D9/449
D657,436	S	*	4/2012	Tsai	D22/122
D761,103	S	*	7/2016	Lebon	D9/447
D777,032	S	*	1/2017	Buck	D9/447
D778,397	S	*	2/2017	Zhang	D22/122
D818,078	S	*	5/2018	Zhang	D22/122
D871,540	S	*	12/2019	Chapin	D22/122
D888,877	S	*	6/2020	White	D22/122
D907,748	S	*	1/2021	Jones	D23/261
D932,597	S	*	10/2021	Cheng	D9/453
D942,806	S	*	2/2022	Dean	D7/392.1
D949,017	S	*	4/2022	Bradley	D9/453
2008/0173647	A1	*	7/2008	Ochoa Laburu	B65D 47/043 215/253

* cited by examiner

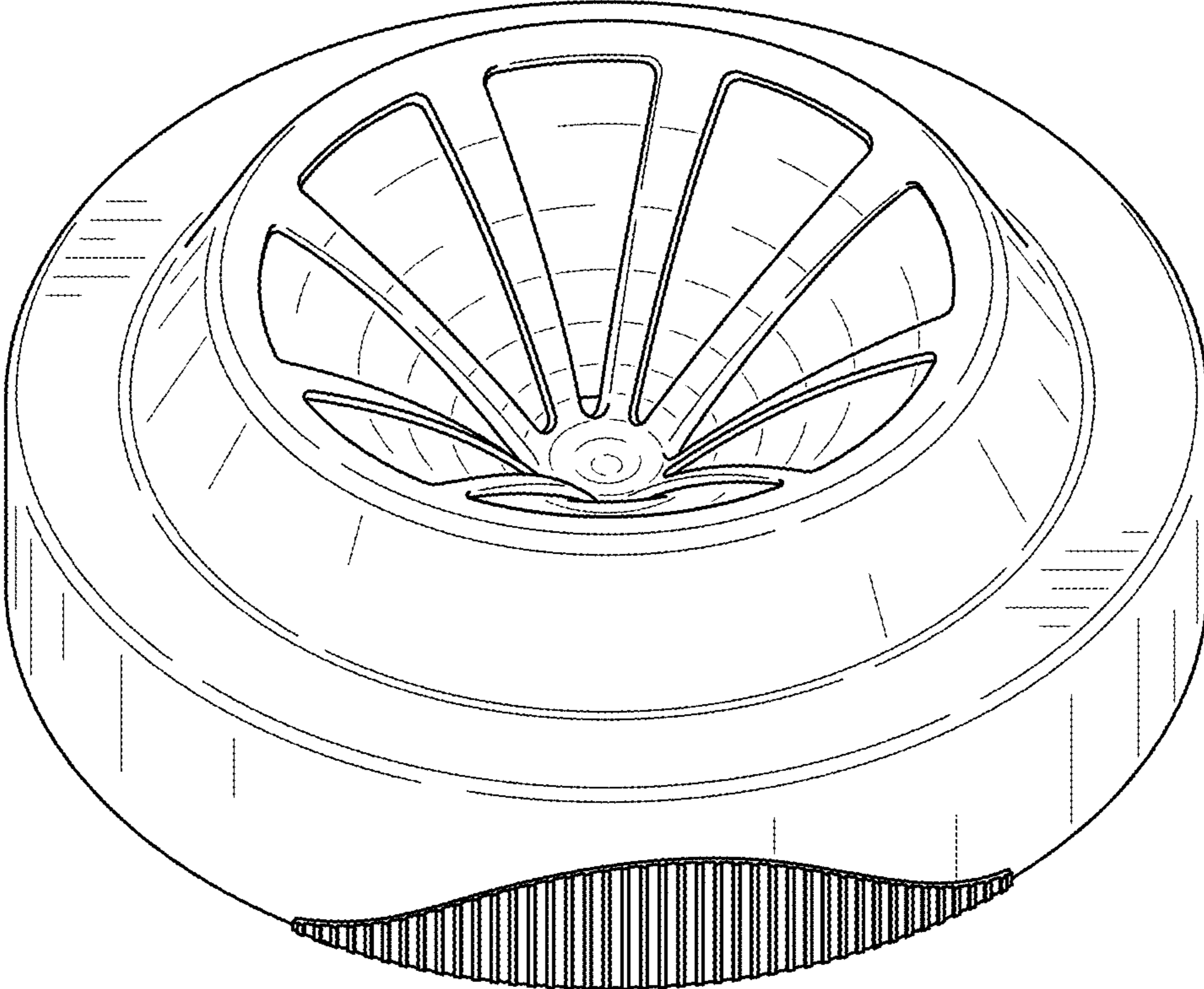


FIG. 1

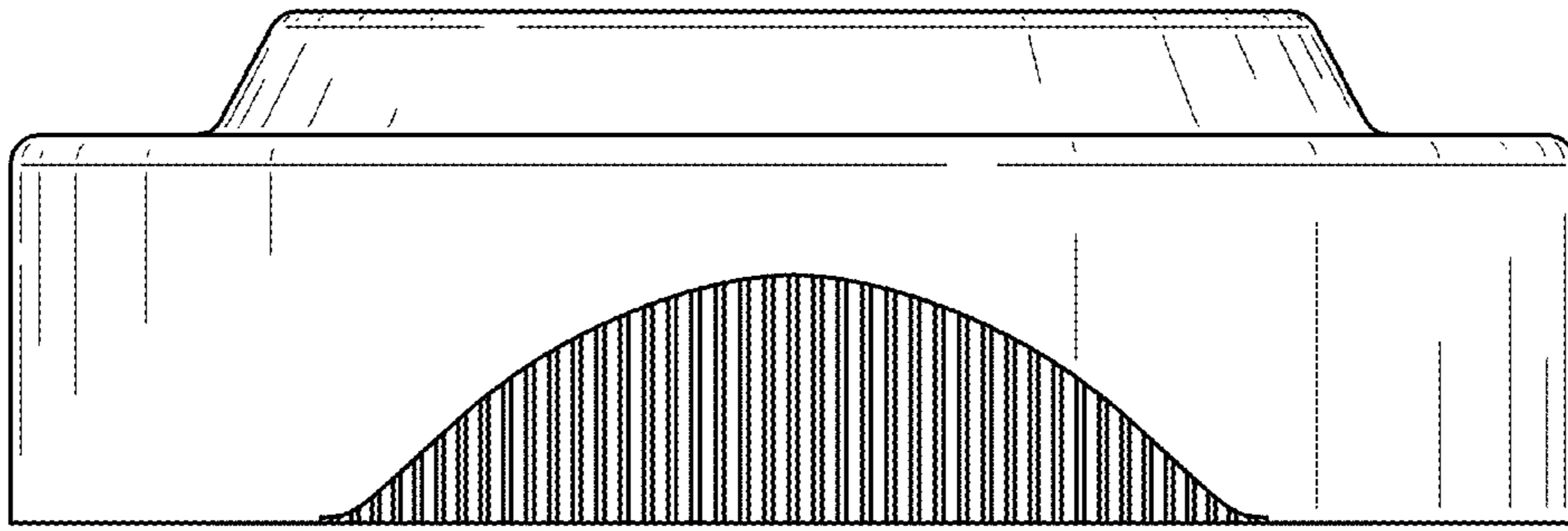


FIG. 2

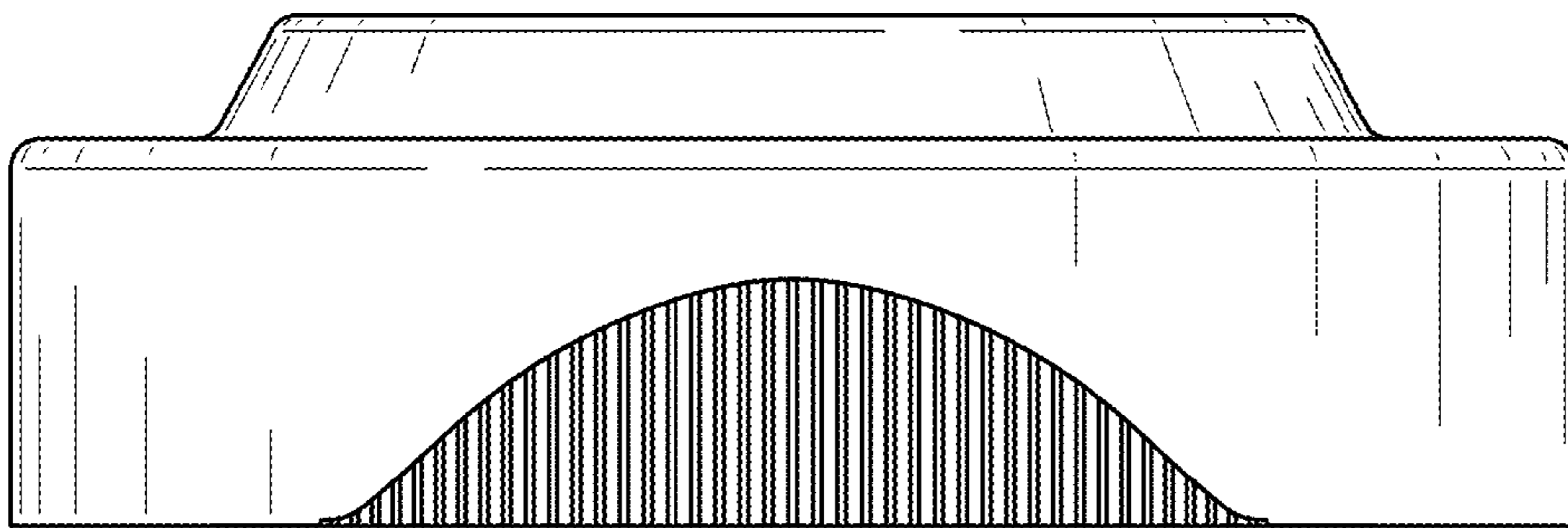


FIG. 3

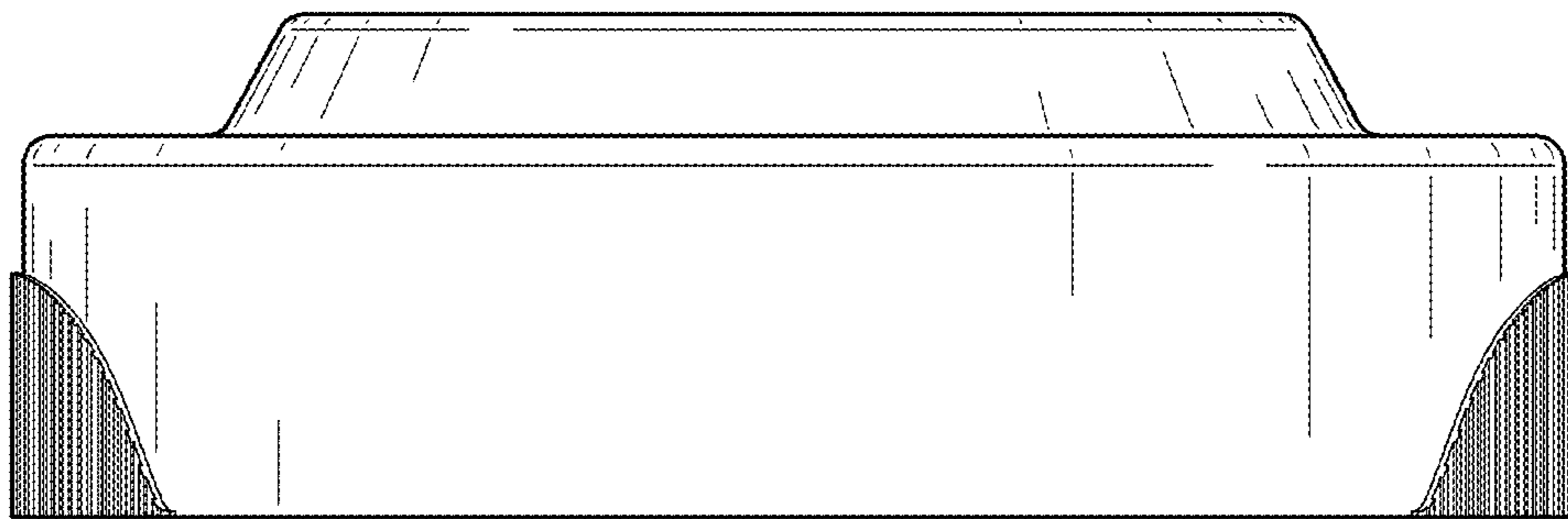


FIG. 4

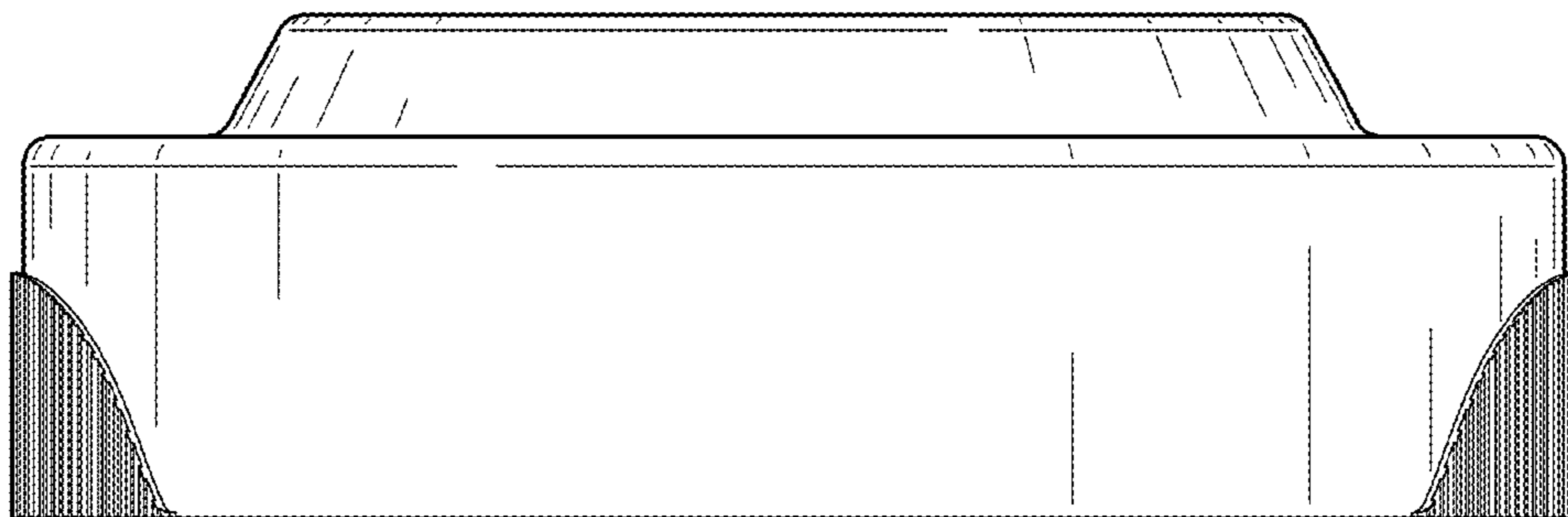


FIG. 5

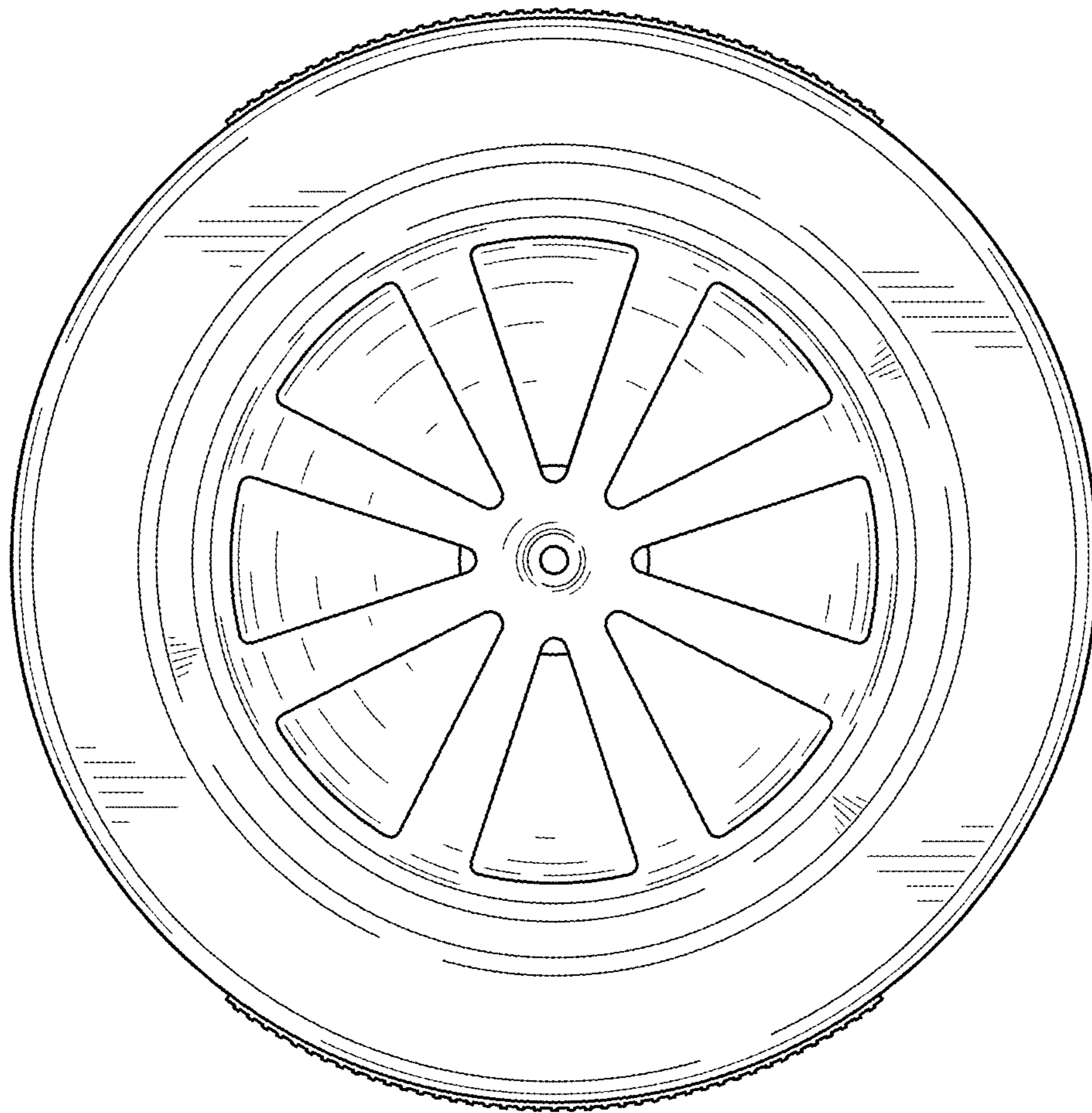


FIG. 6

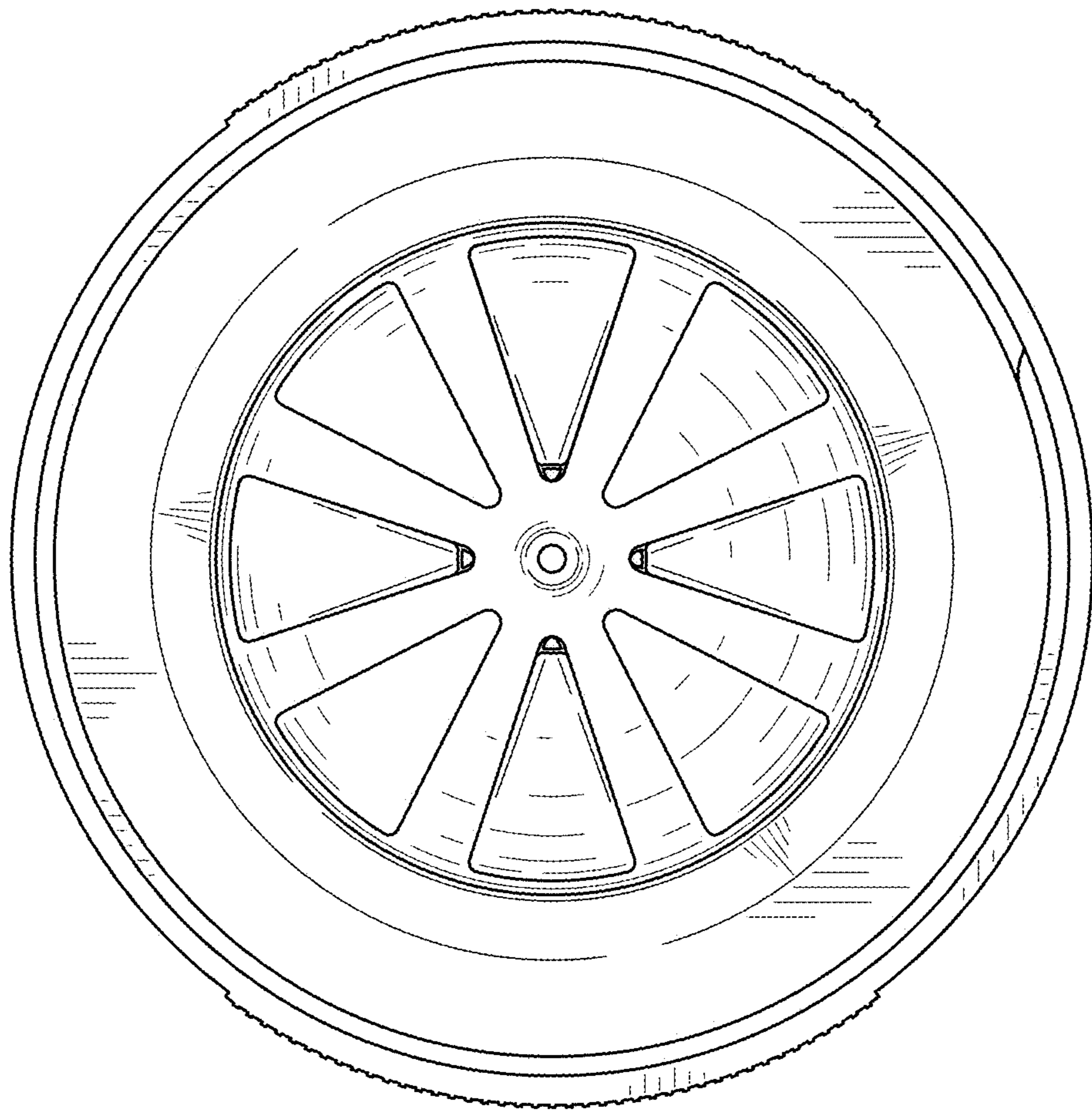


FIG. 7

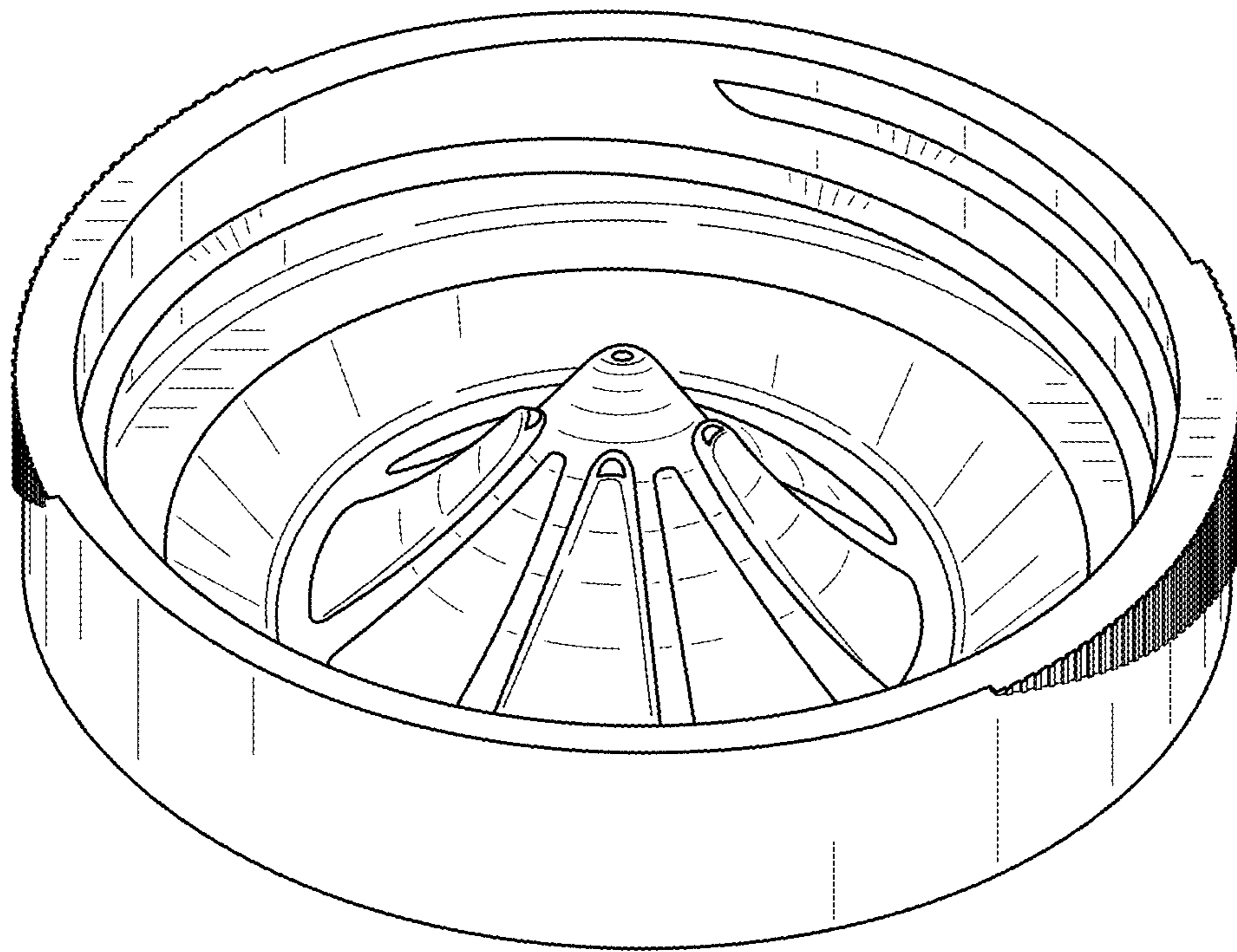


FIG. 8

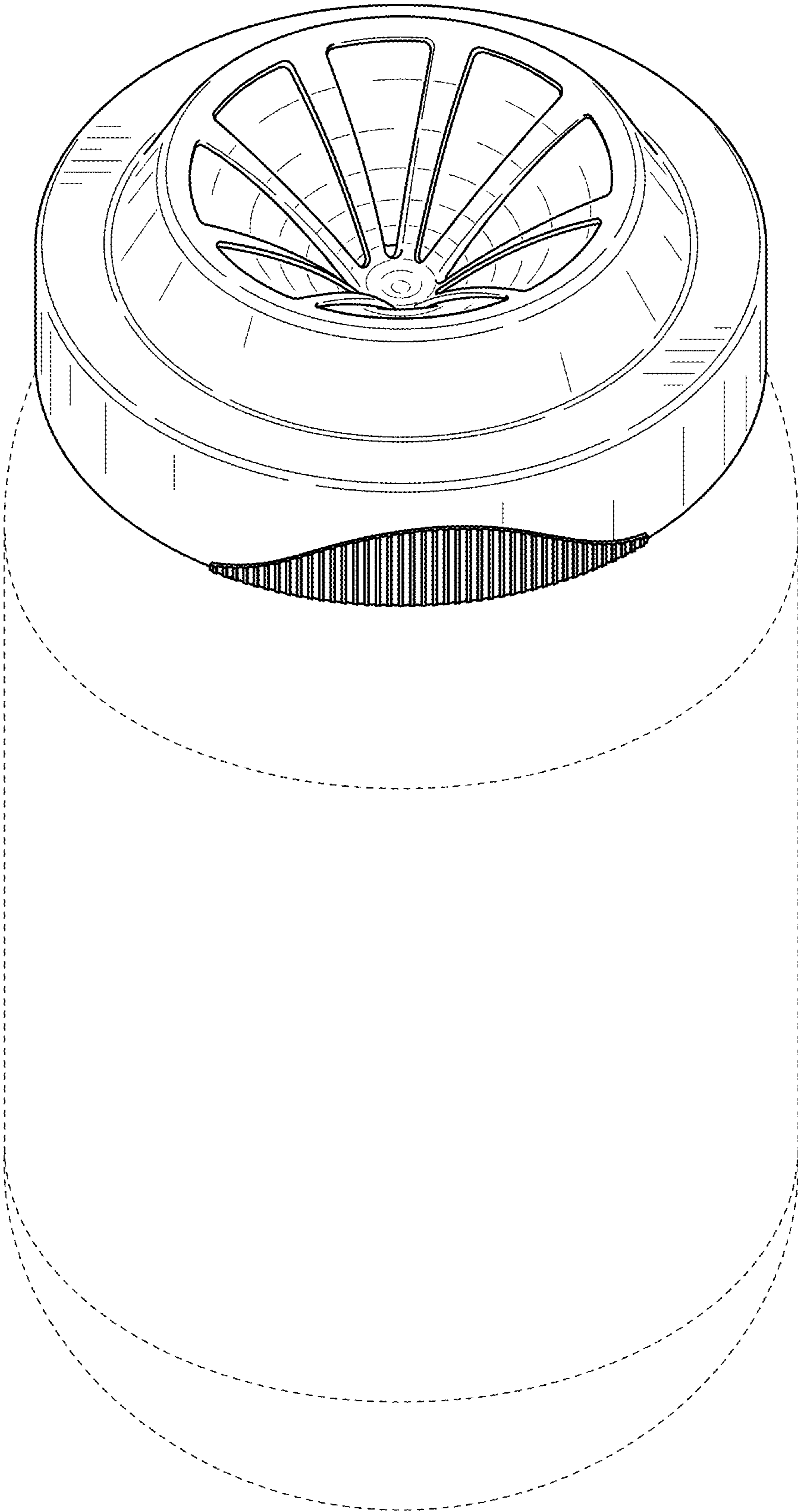


FIG. 9

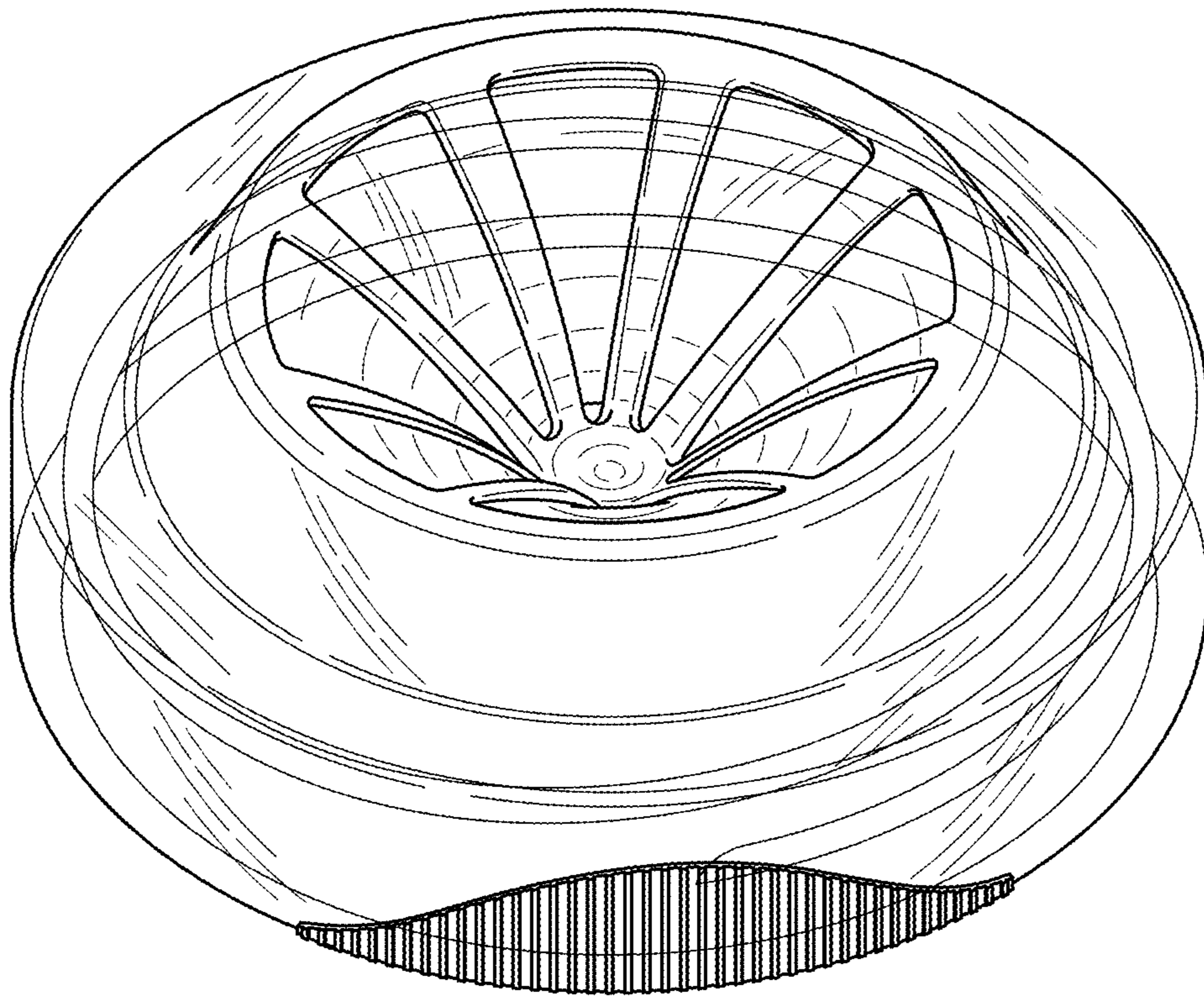


FIG. 10

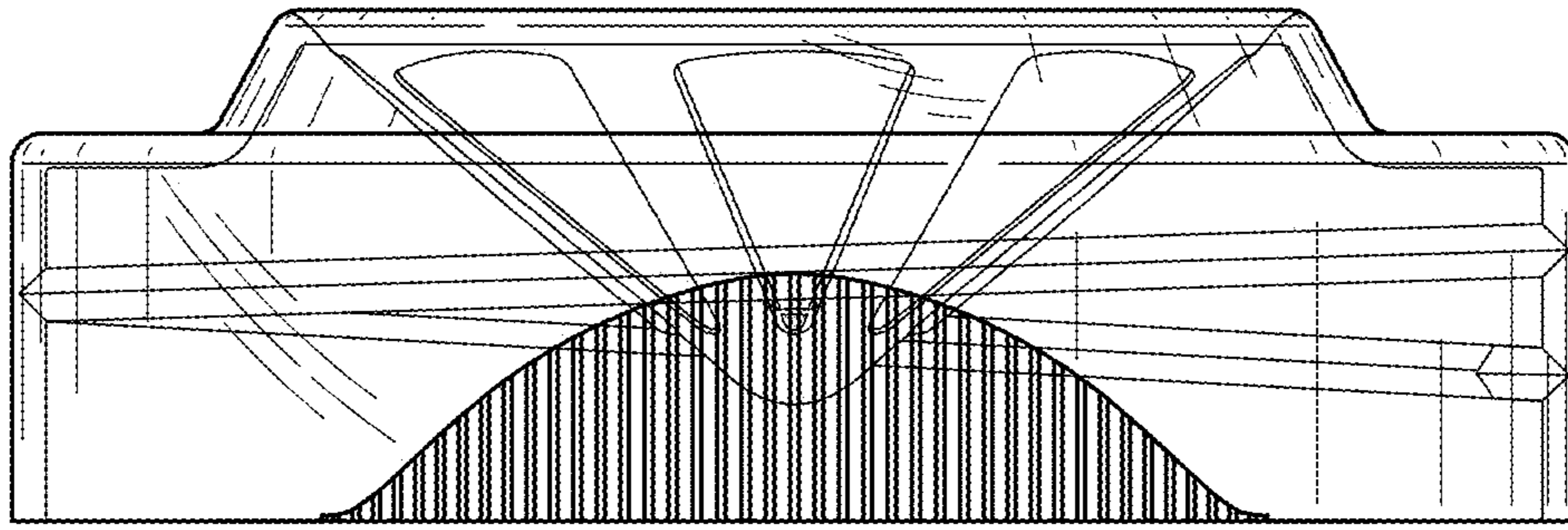


FIG. 11

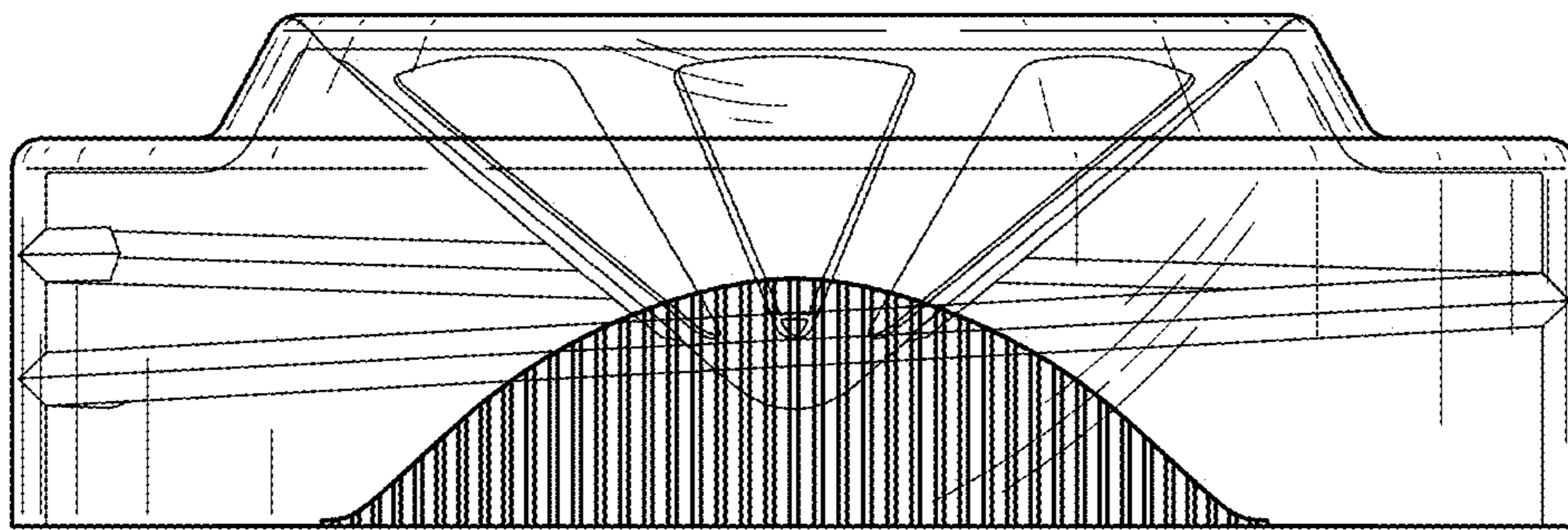


FIG. 12

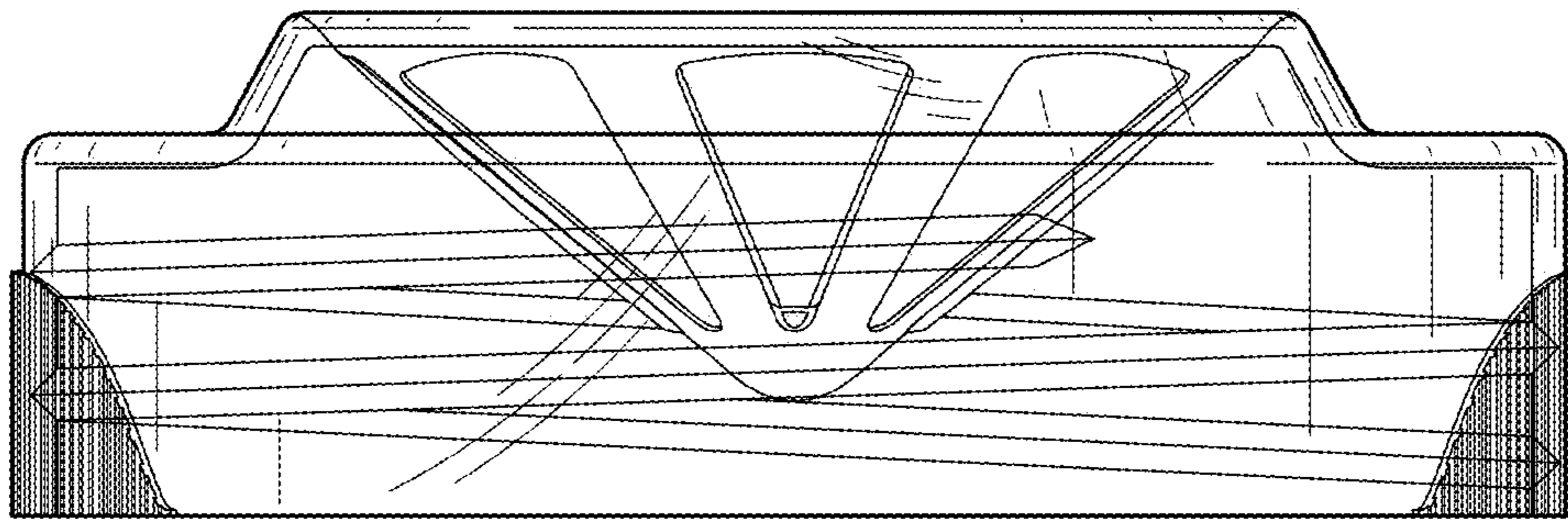


FIG. 13

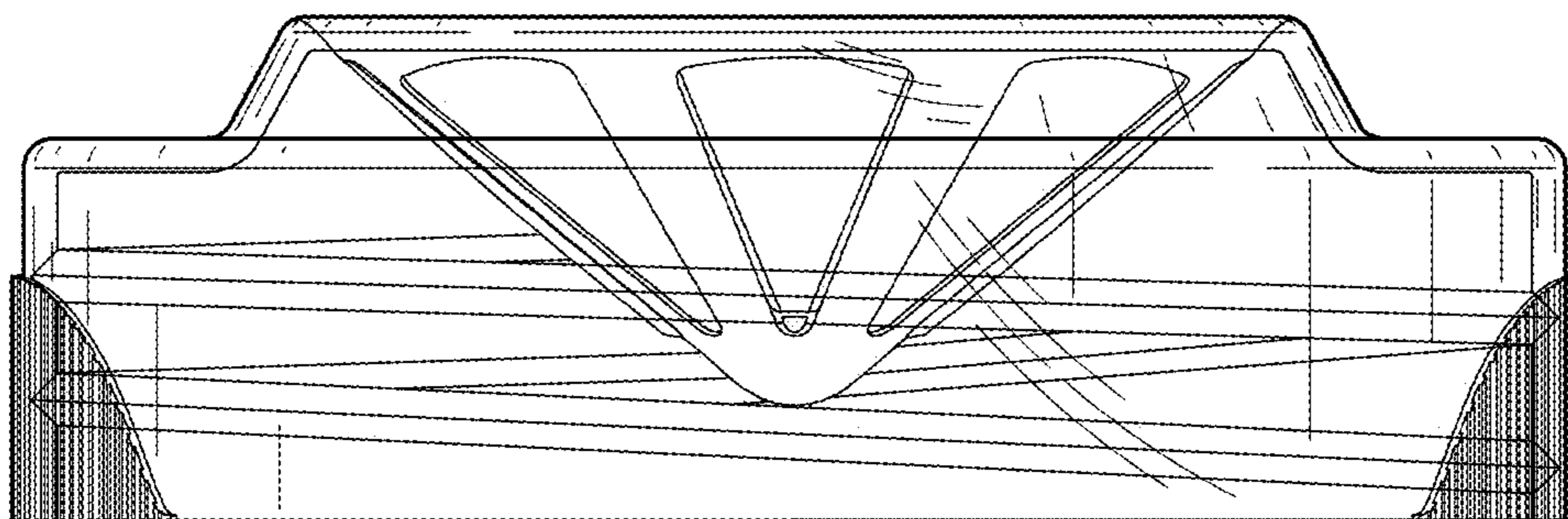


FIG. 14

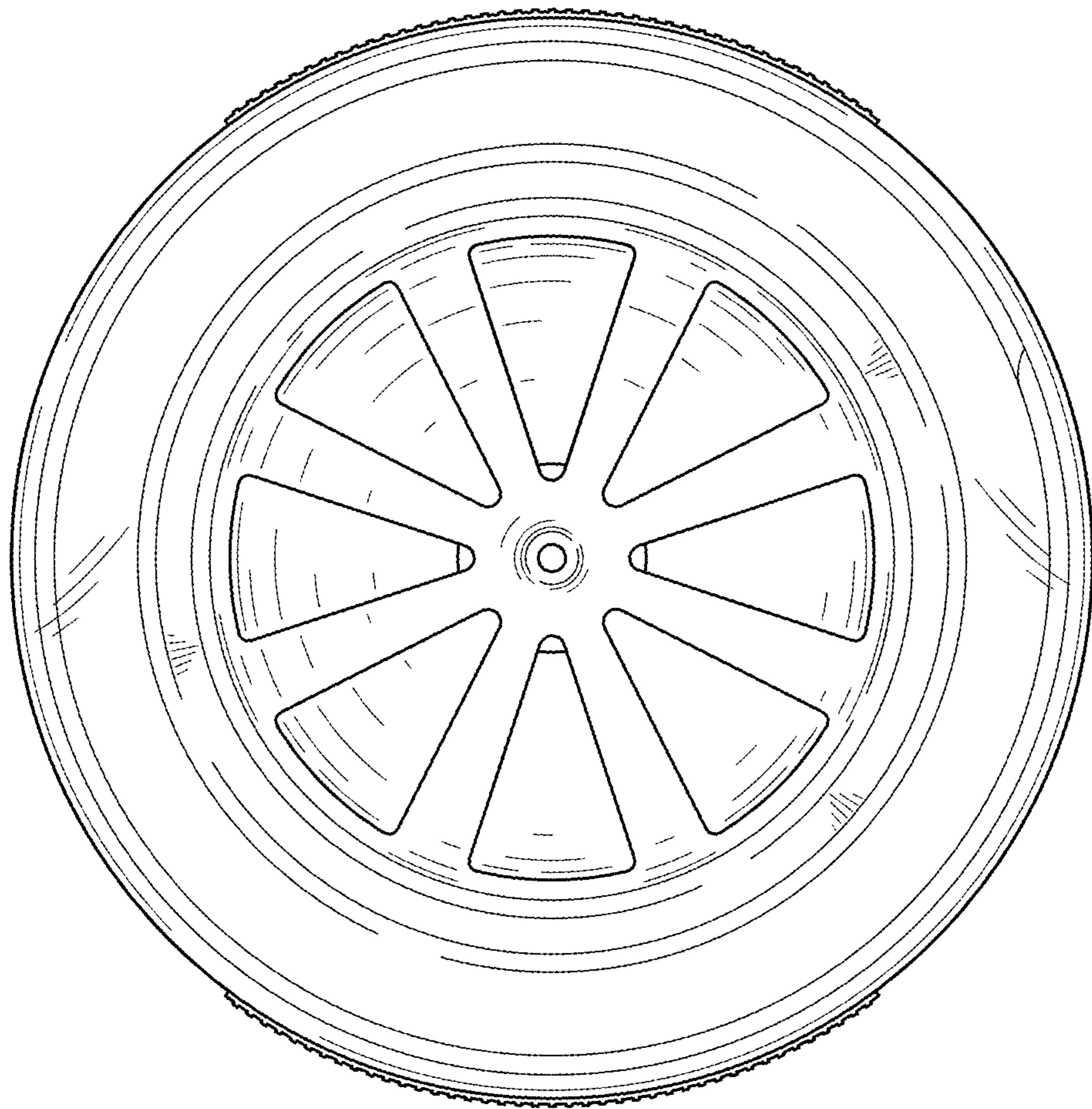


FIG. 15

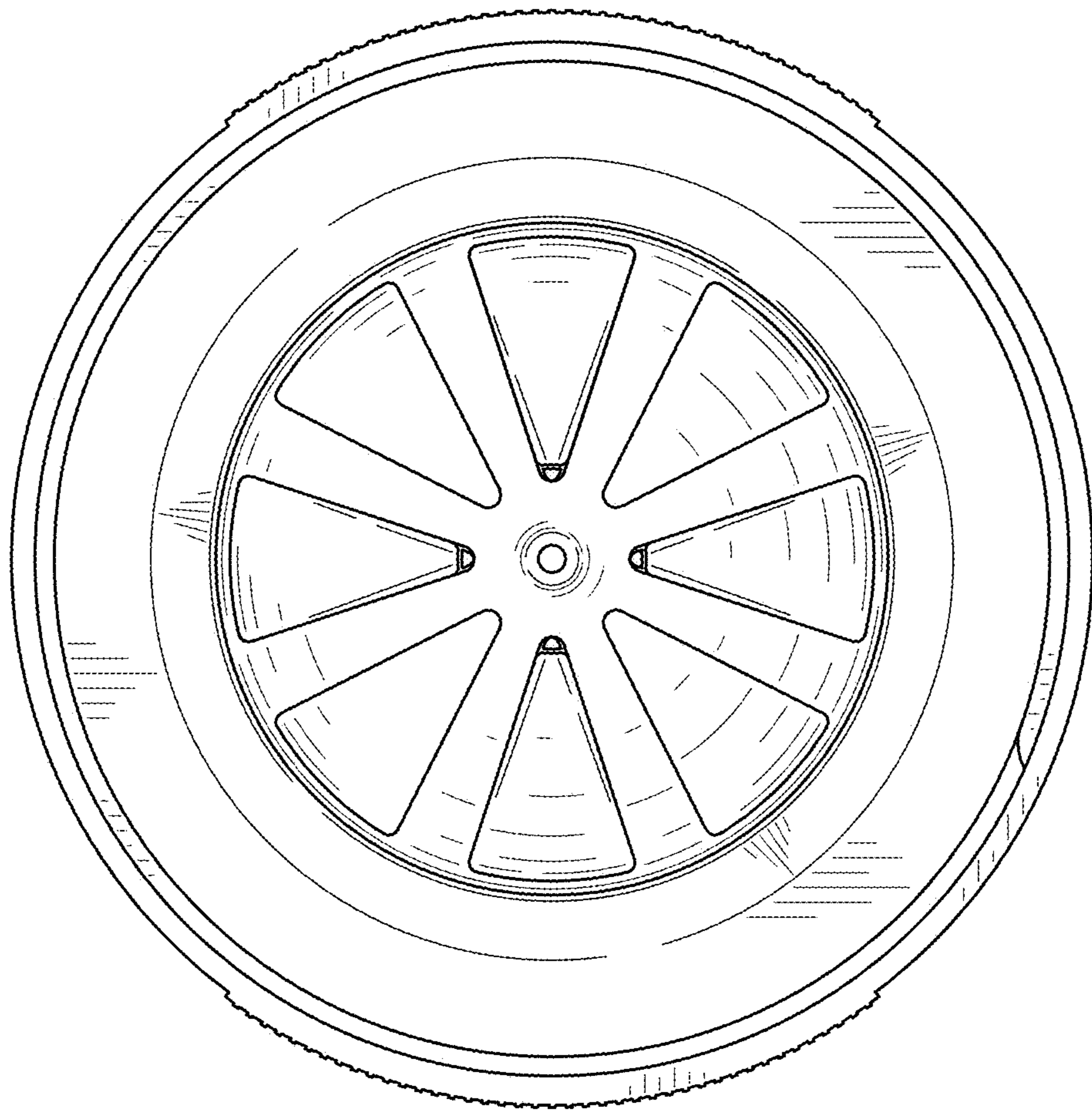


FIG. 16

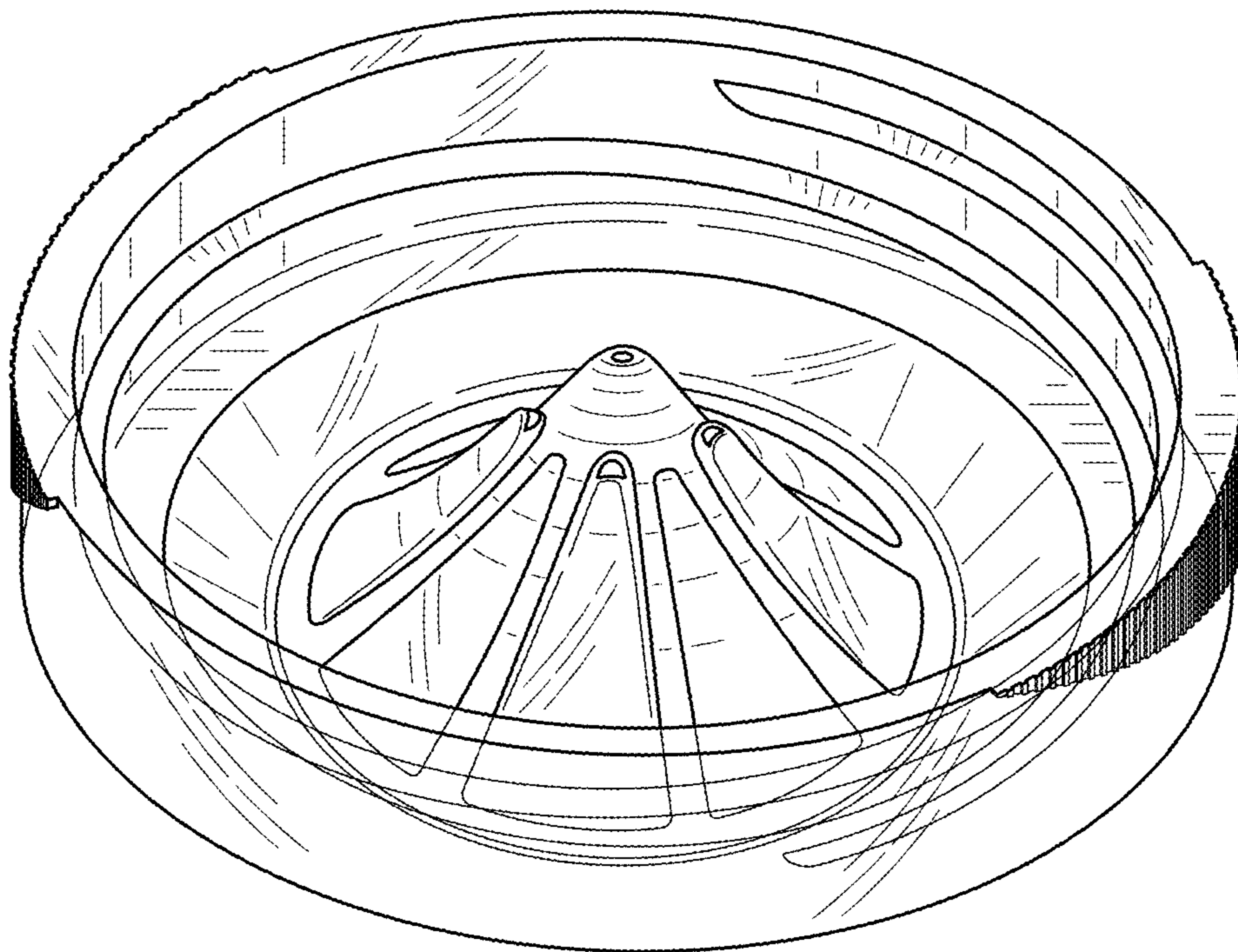


FIG. 17

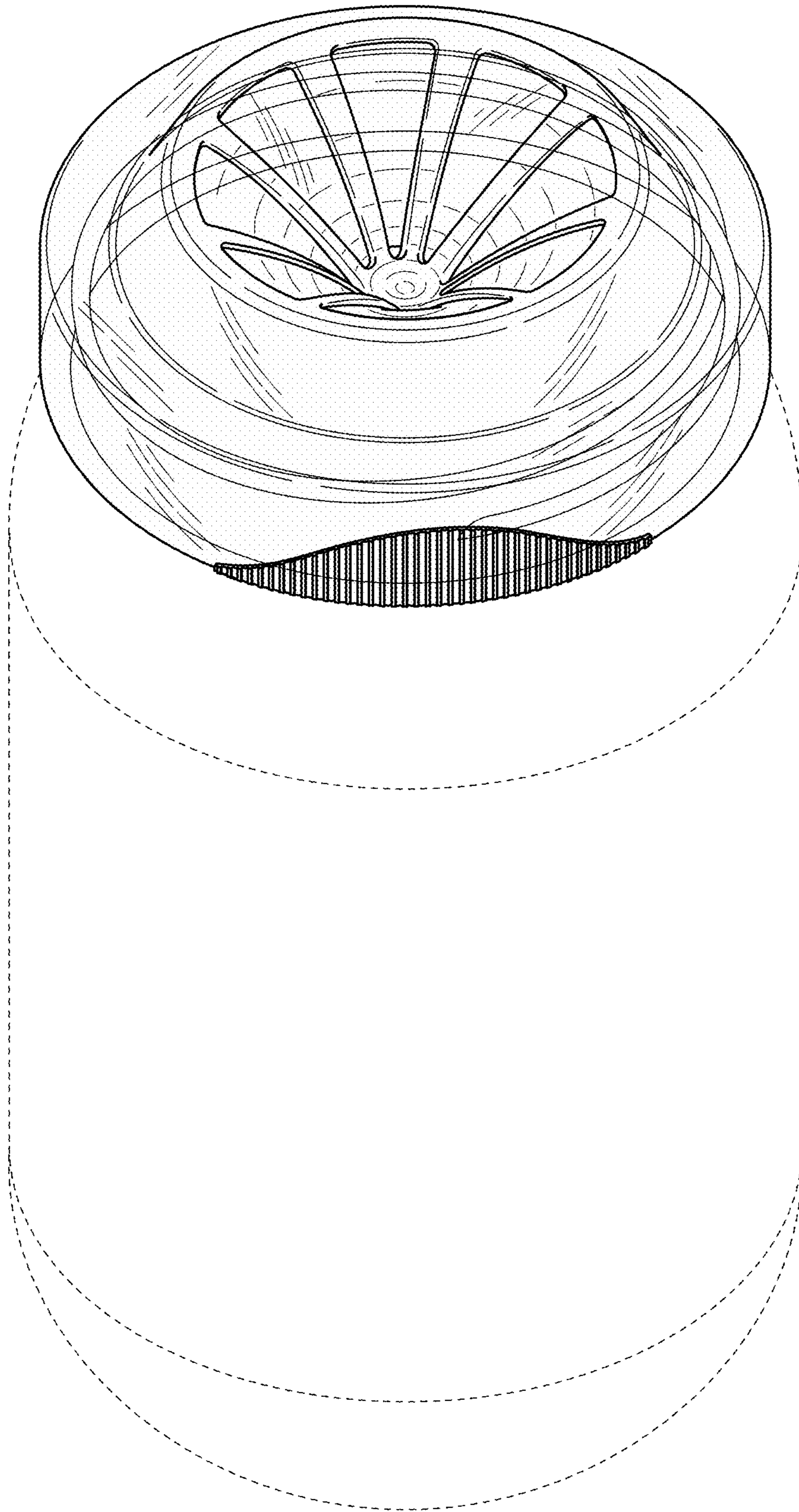


FIG. 18