



US00D974907S

(12) **United States Design Patent**
Meyndt et al.

(10) **Patent No.:** **US D974,907 S**

(45) **Date of Patent:** **** Jan. 10, 2023**

(54) **BOTTLE CAP**

(71) Applicants: **Monika Meyndt**, Bad Salzuflen (DE);
Marc Gronemeier, Herford (DE)

(72) Inventors: **Monika Meyndt**, Bad Salzuflen (DE);
Marc Gronemeier, Herford (DE)

(**) Term: **15 Years**

(21) Appl. No.: **29/744,419**

(22) Filed: **Jul. 29, 2020**

(51) **LOC (14) Cl.** **09-01**

(52) **U.S. Cl.**
USPC **D9/445**

(58) **Field of Classification Search**
USPC D9/414-419, 430-433, 444, 445, 499,
D9/719, 434, 435, 436-438, 443, 455;
D7/392.1, 396.2
CPC B65D 5/00; B65D 5/0015; B65D 5/008;
B65D 5/02
See application file for complete search history.

(56) **References Cited**

U.S. PATENT DOCUMENTS

- 1,342,770 A * 6/1920 Selz B65D 5/008
229/113
- 1,811,074 A * 6/1931 Butler B65D 5/008
229/131.1
- D141,224 S * 5/1945 Ray D9/445
- D141,475 S * 6/1945 Ray D9/445
- D167,488 S * 8/1952 Schwarz D9/414
- D214,134 S * 5/1969 Niemoller D27/152
- D216,843 S * 3/1970 Lew D9/431
- D262,440 S * 12/1981 Skalleberg D9/418
- D262,691 S * 1/1982 Horsley D9/453
- D290,689 S * 7/1987 Forbes, Jr. D9/433
- D290,813 S * 7/1987 Forbes, Jr. D9/433
- 4,801,773 A * 1/1989 Hanlon A47J 36/027
426/243
- D306,829 S * 3/1990 Golkar D9/415

- D308,019 S * 5/1990 Mileos D7/672
- D351,344 S * 10/1994 Blott D9/750
- D351,555 S * 10/1994 Blott D9/750
- D361,738 S * 8/1995 Shryock D11/143
- D363,221 S * 10/1995 Puryear D7/700
- D363,455 S * 10/1995 Shryock D11/143
- D374,640 S * 10/1996 Shryock D11/143
- D378,835 S * 4/1997 Guerrero D9/431
- D469,691 S * 2/2003 Brondyke D9/422

(Continued)

OTHER PUBLICATIONS

Facebook. Bottlehead.de. Published Oct. 17, 2019. Visited Apr. 2, 2022. <https://www.facebook.com/bottlehead.de/photos/2667147853335670/> (Year: 2019).*

(Continued)

Primary Examiner — Darcey E Gottschalk
Assistant Examiner — Vanessa M. Pursley
(74) *Attorney, Agent, or Firm* — Collard & Roe, P.C.

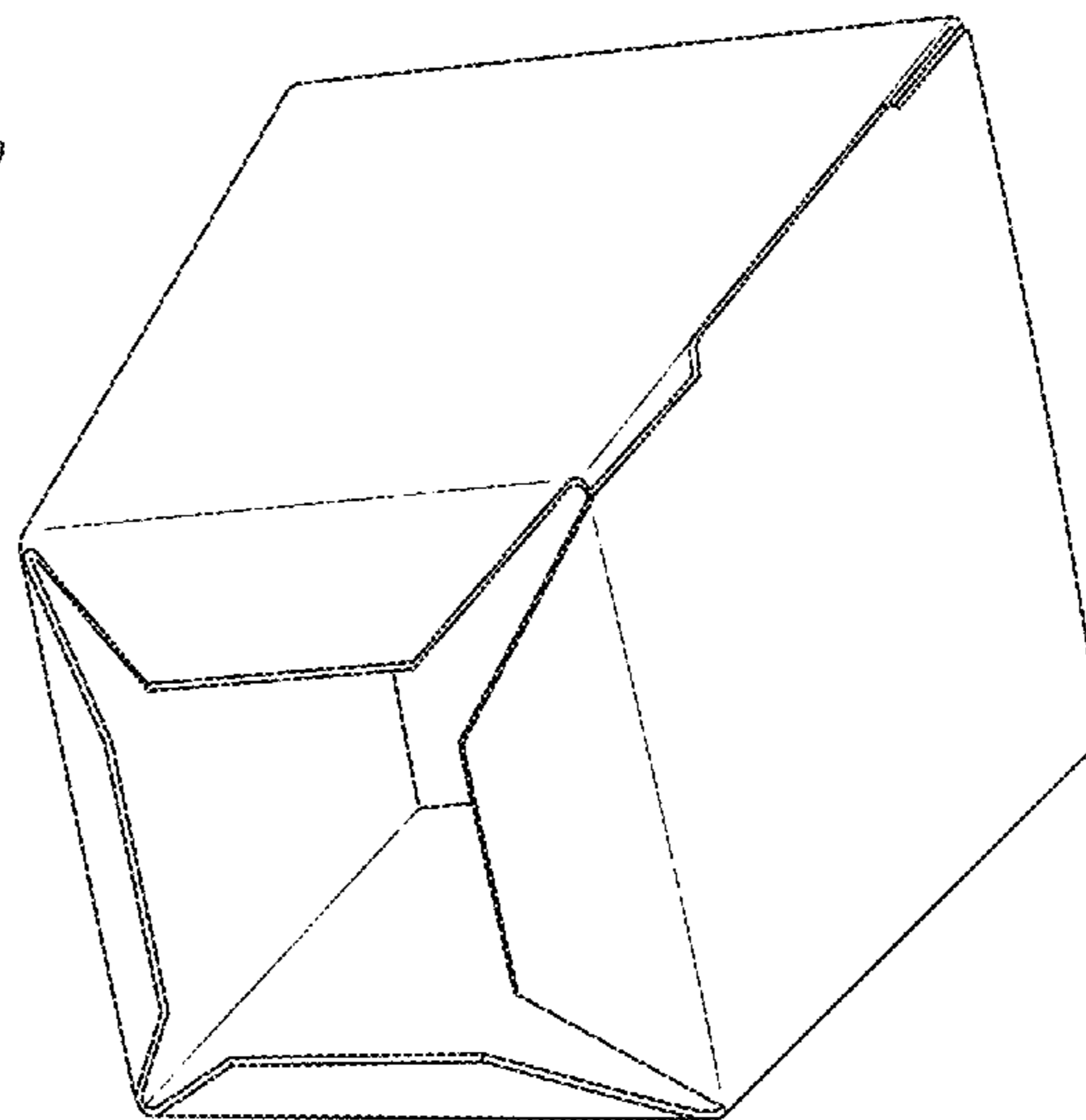
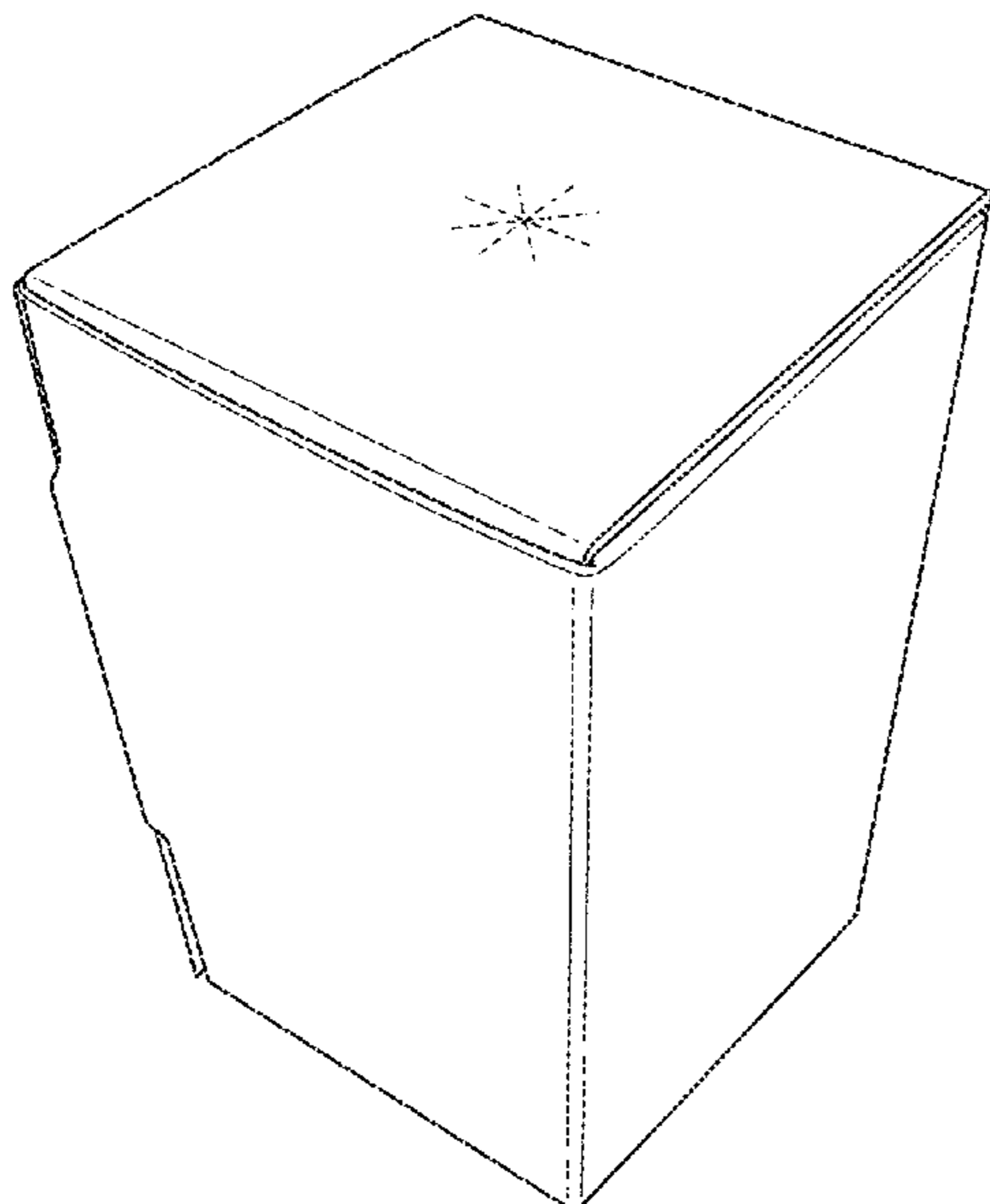
(57) **CLAIM**

The ornamental design for a bottle cap, as shown and described.

DESCRIPTION

FIG. 1 is a front, right side and top perspective view of a bottle cap, showing our new design;
FIG. 2 is a front view thereof;
FIG. 3 is a right side view thereof;
FIG. 4 is a rear view thereof,
FIG. 5 is a left side view thereof;
FIG. 6 is a top view thereof;
FIG. 7 is a bottom view thereof; and,
FIG. 8 is a left side, front and bottom perspective view thereof.
The features shown in broken lines depict portions of the bottle cap that form no part of the claimed design.

1 Claim, 4 Drawing Sheets



(56)

References Cited

U.S. PATENT DOCUMENTS

6,557,749 B1 * 5/2003 Gill B65D 5/325
 229/117
 D514,927 S * 2/2006 Helfrich D9/415
 D569,175 S * 5/2008 Mansfield D7/396.1
 D572,169 S * 7/2008 De Roeck D11/155
 D606,366 S * 12/2009 Dunne B65D 5/008
 D7/624.2
 D625,649 S * 10/2010 Rooney D11/146
 D636,664 S * 4/2011 Neufeldt D9/431
 D658,058 S * 4/2012 Sanges D9/453
 D682,677 S * 5/2013 Dennin D9/431
 D765,468 S * 9/2016 Yen D7/392.1
 D775,523 S * 1/2017 Platt B65D 1/265
 D9/418
 D805,893 S * 12/2017 Shirasawa B65D 5/325
 D9/433
 D839,729 S * 2/2019 Oliveira D9/449
 10,919,662 B2 * 2/2021 Maldonado Barragan
 B65D 1/265

OTHER PUBLICATIONS

Facebook. Bottlehead.de. Published Apr. 16, 2020. Visited Apr. 2, 2022. <https://www.facebook.com/bottlehead.de/photos/3072340996149685/> (Year: 2020).*

Vecteezy. Paper Bottle Neck Hang Tag die-cut vector Pro Vector. Publication date unavailable. Visited Apr. 2, 2022. <https://www.vecteezy.com/vector-art/2271806-paper-bottle-neck-hang-tag-die-cut-vector> (Year: 0).*

Rabbit Wine. Square Bottle Stopper. Publication date unavailable. Visited Apr. 2, 2022. <https://www.rabbitwine.com/products/square-bottle-stopper> (Year: 0).*

Facebook. Bottlehead.de. Published May 16, 2020. Visited Apr. 7, 2022. <https://www.facebook.com/bottlehead.de/photos/3144576325592818/> (Year: 2020).*

* cited by examiner

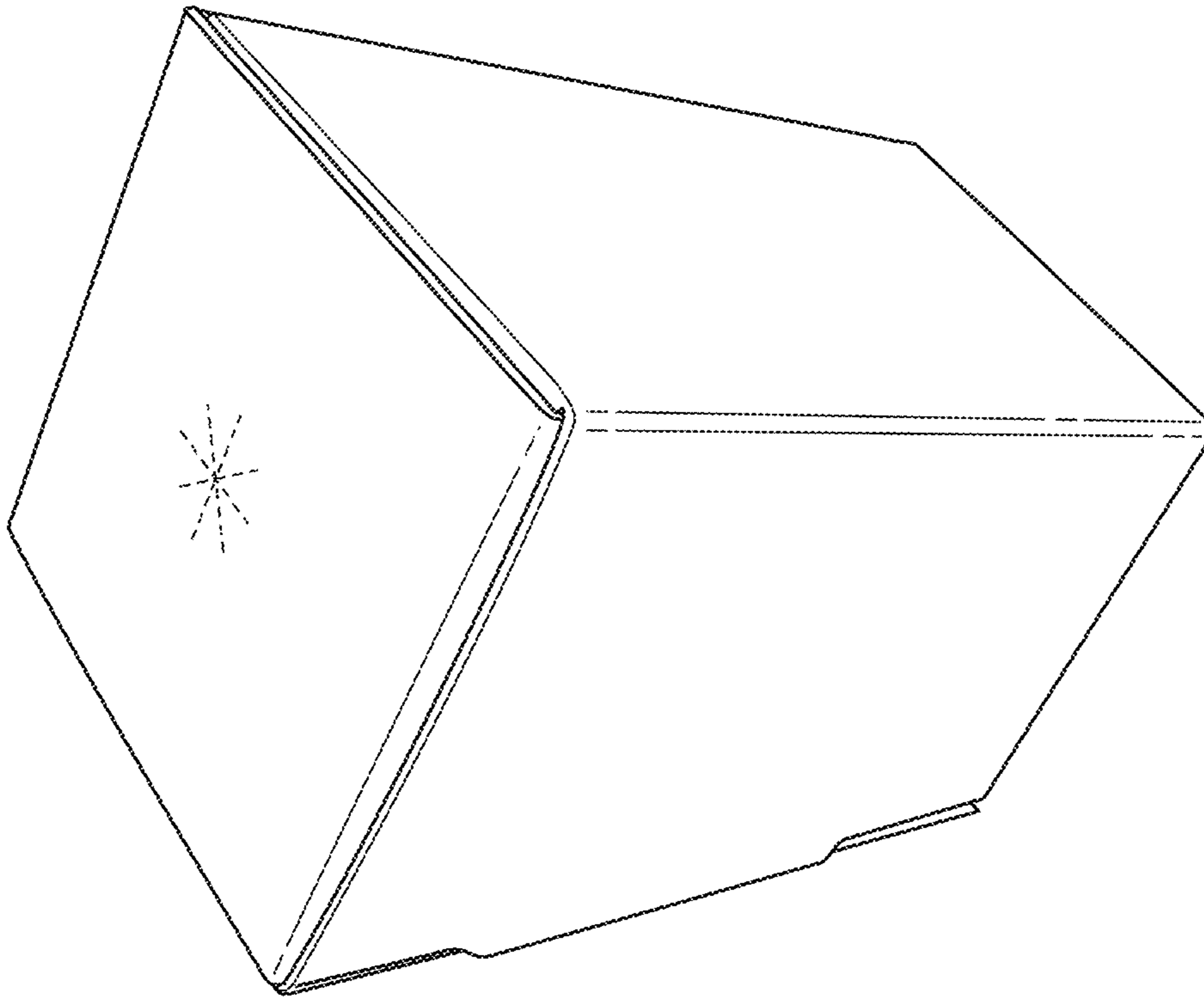


FIG. 1

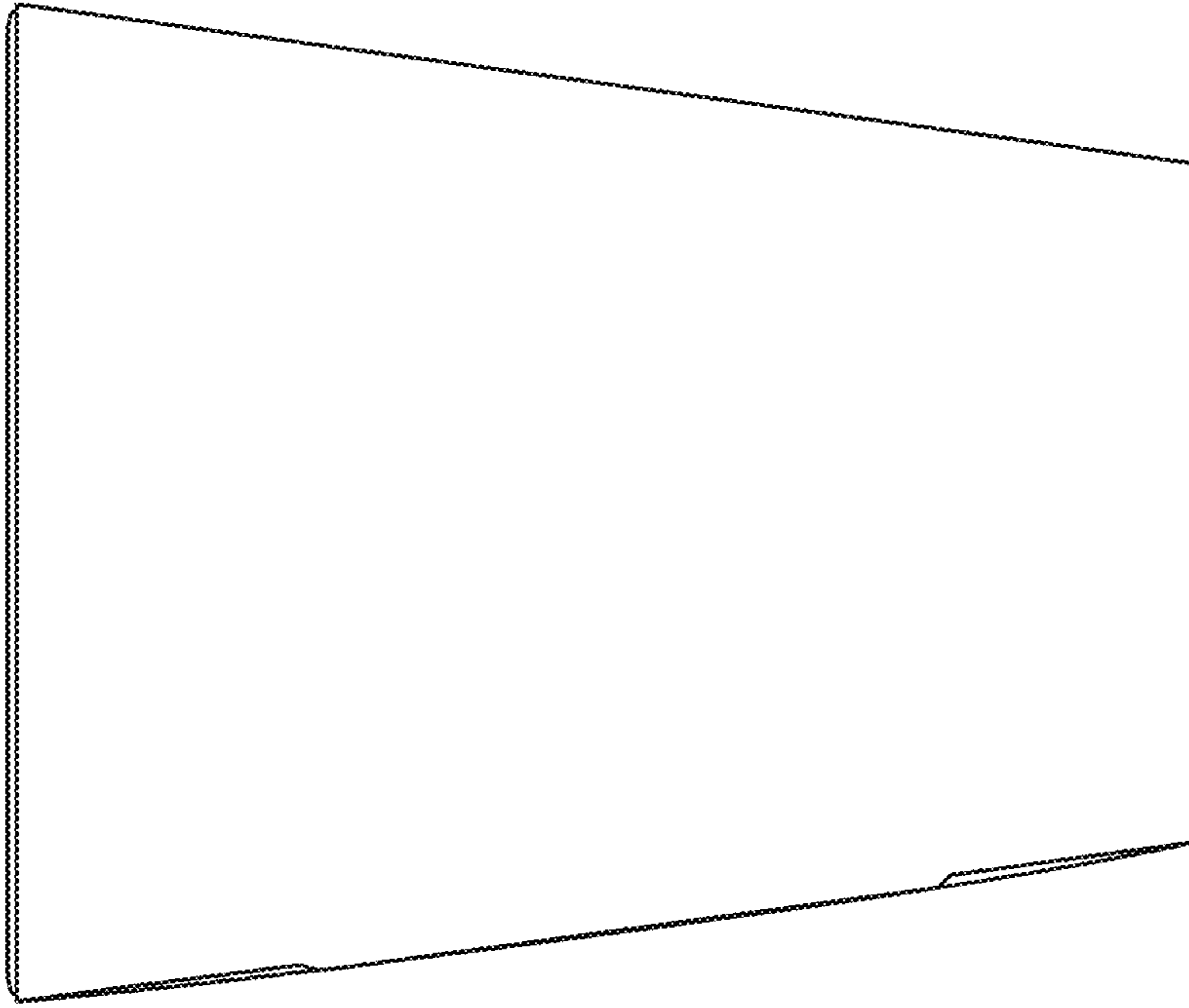


FIG. 2

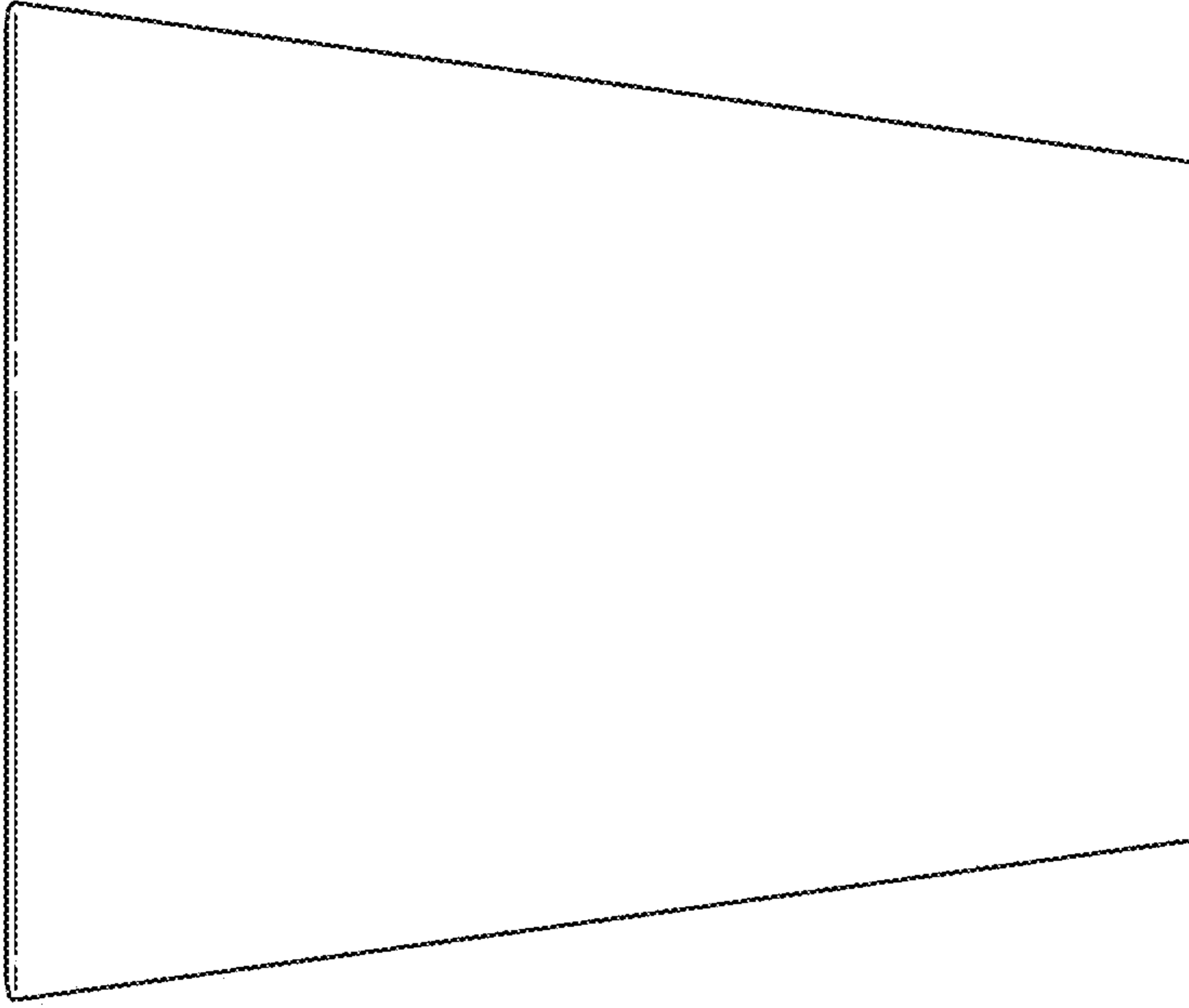


FIG. 4

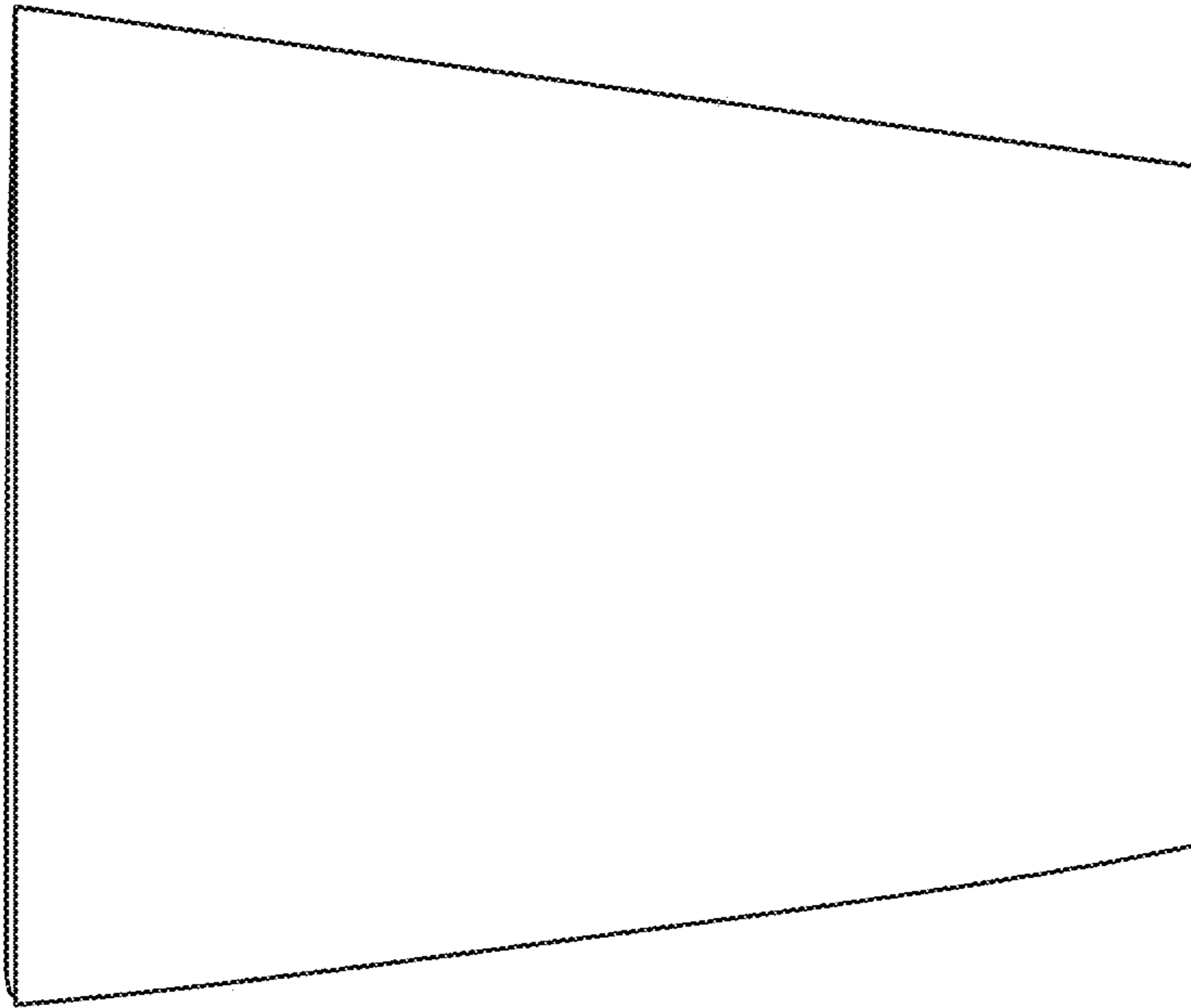


FIG. 3

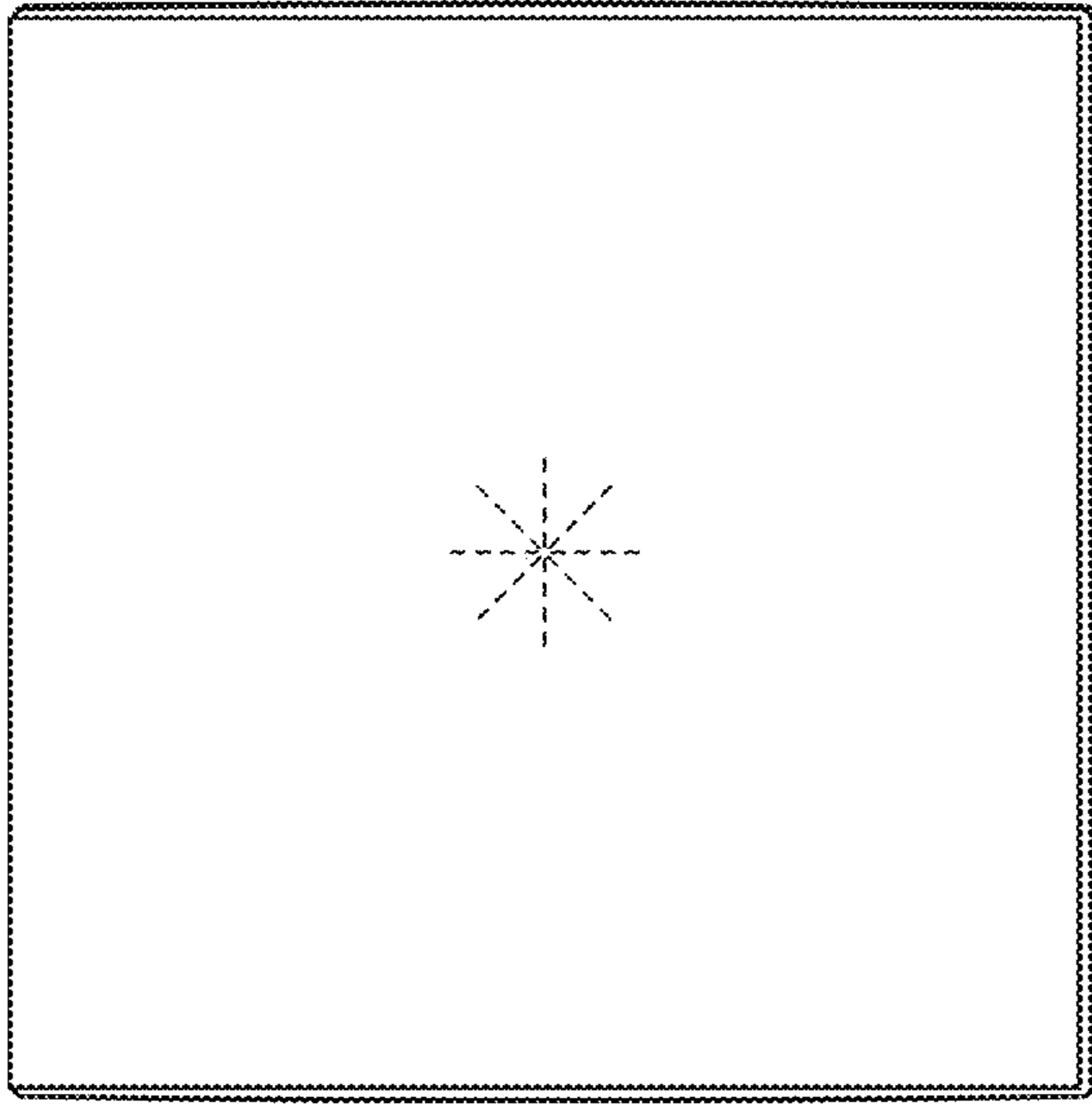


FIG. 6

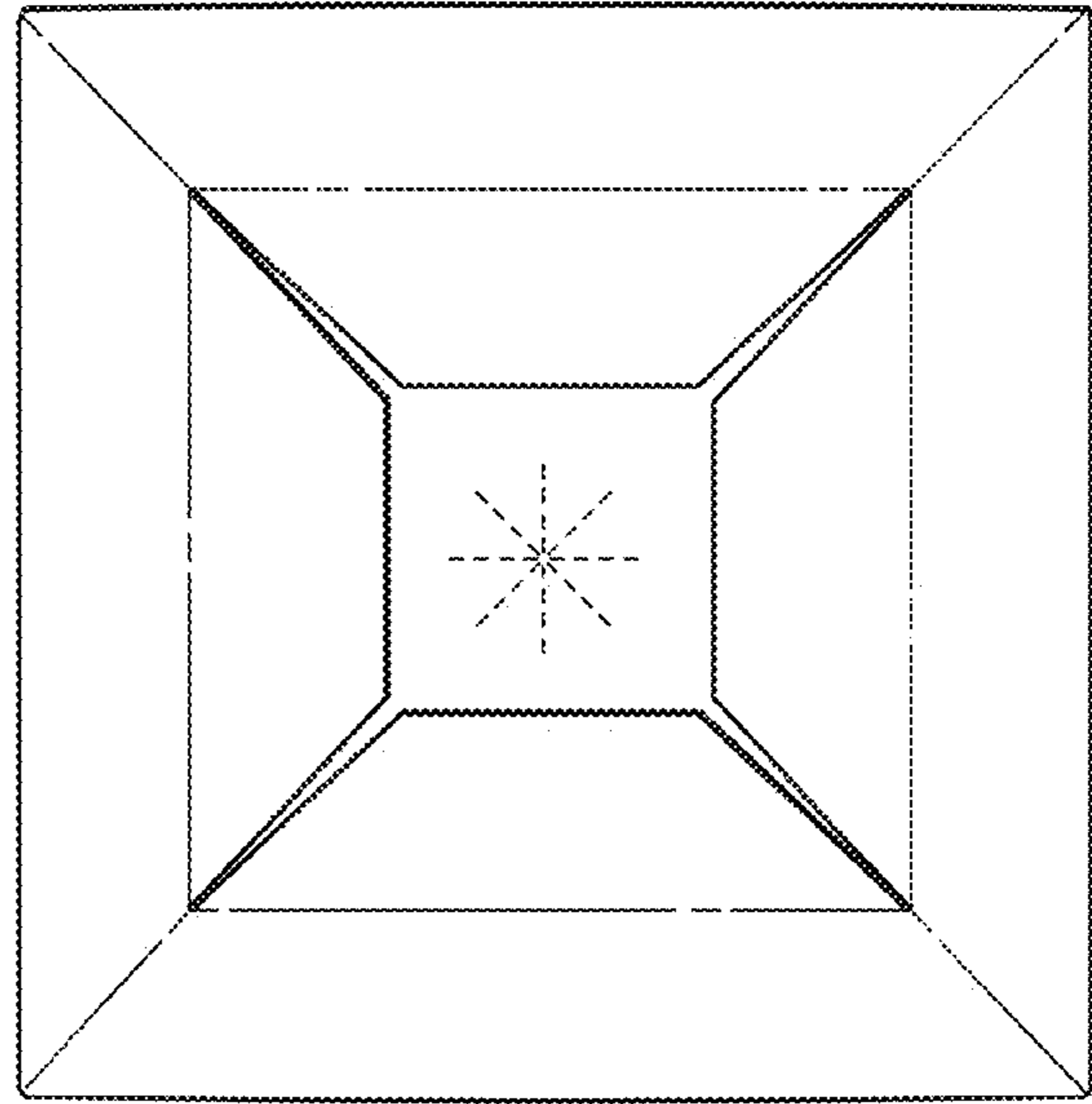


FIG. 7

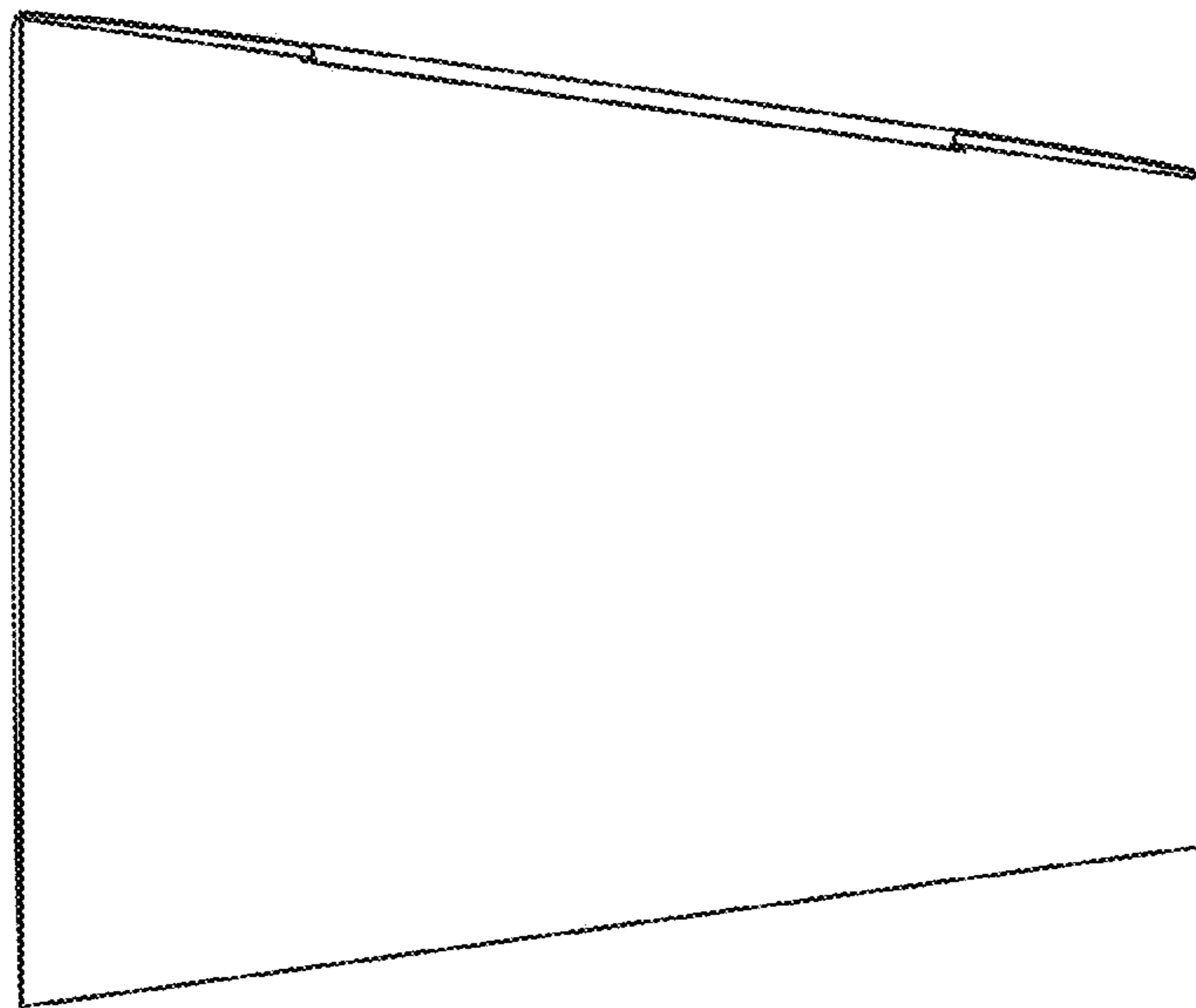


FIG. 5

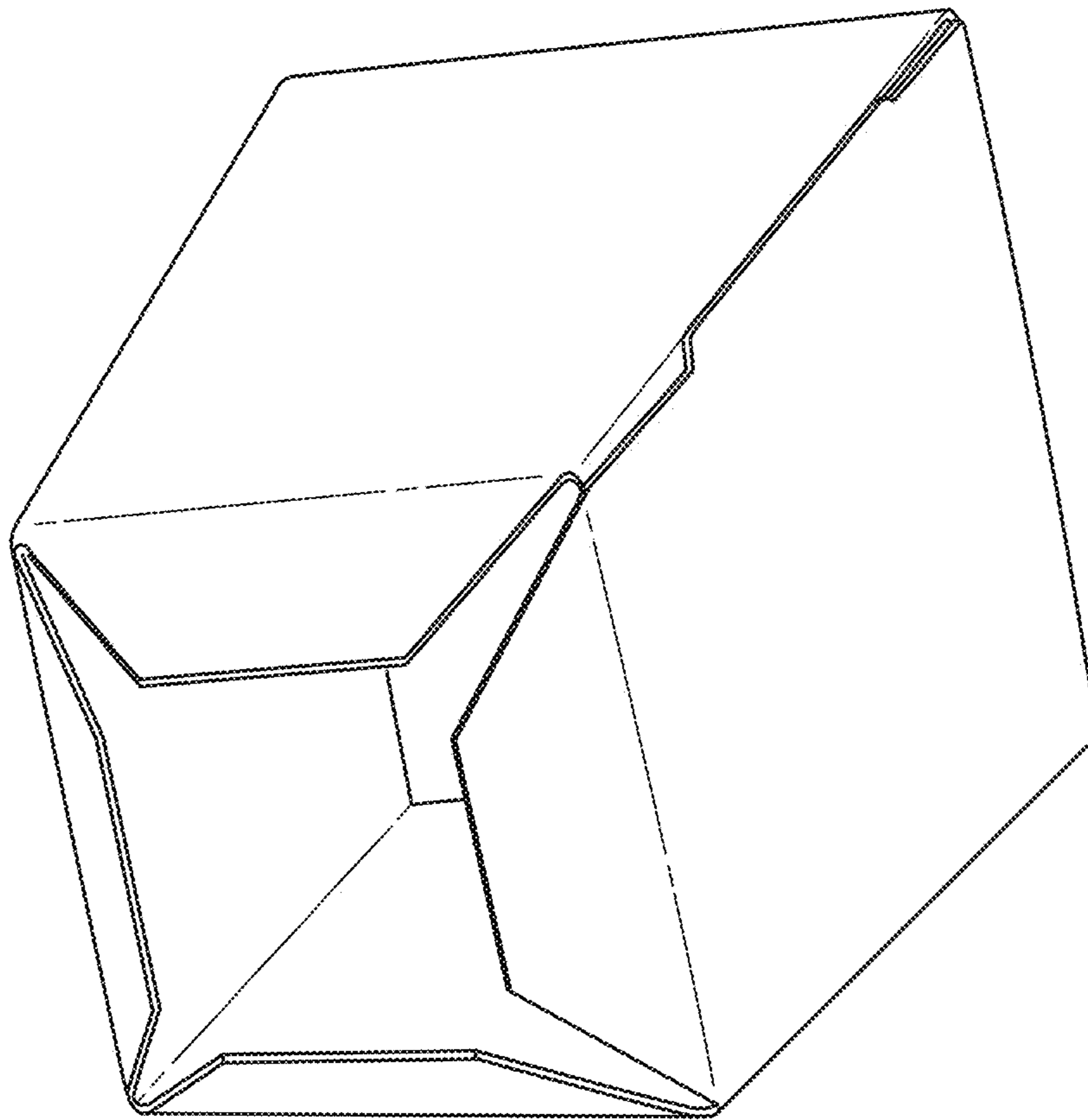


FIG. 8