



US00D974903S

(12) **United States Design Patent**
Williams et al.

(10) **Patent No.:** **US D974,903 S**
(45) **Date of Patent:** **** Jan. 10, 2023**

- (54) **BASE TOP**
- (71) Applicant: **FiGPiN Collect Awesome, Inc.**, Irvine, CA (US)
- (72) Inventors: **Daniel Williams**, Bothell, WA (US);
Amado Batour, La Jolla, CA (US);
Erik Haldi, Bothell, WA (US)
- (73) Assignee: **FiGPiN Collect Awesome, Inc.**, Irvine, CA (US)

4,572,423 A *	2/1986	Spencer	B65D 5/5021	206/509
D731,308 S *	6/2015	Tussy	D9/432	
D736,618 S *	8/2015	Andre	D9/432	
D835,981 S *	12/2018	Oravec	D9/418	
D854,923 S *	7/2019	Denham	D9/414	
D883,082 S *	5/2020	Oravec	D9/418	
D901,293 S *	11/2020	Plattner	D9/425	
D960,717 S *	8/2022	Terzian	D9/418	
2009/0223979 A1 *	9/2009	Matherly	B65D 1/22	220/660

- (**) Term: **15 Years**
- (21) Appl. No.: **29/736,380**
- (22) Filed: **May 29, 2020**

* cited by examiner

Primary Examiner — Mimosa De

(74) *Attorney, Agent, or Firm* — Puget Patent; Michael Gibbons

- (51) **LOC (14) Cl.** **09-03**
- (52) **U.S. Cl.**
USPC **D9/432**
- (58) **Field of Classification Search**
USPC D9/414, 415, 418, 425, 432, 433, 715,
D9/721, 737, 760; D3/304
CPC ... B65D 1/00; B65D 1/22; B65D 1/24; B65D
1/34; B65D 1/36; B65D 1/42; B65D
1/44; B65D 5/00; B65D 5/48; B65D
5/48002; B65D 5/42; B65D 5/422; B65D
5/5021; B65D 5/20
See application file for complete search history.

(57) **CLAIM**

The ornamental design for a base top, as shown and described.

DESCRIPTION

FIG. 1 is a top perspective view of a base top showing our new design;
 FIG. 2 is a bottom perspective view thereof;
 FIG. 3 is a top view thereof;
 FIG. 4 is a front side view thereof, the rear side being a mirror image of the front side;
 FIG. 5 is a bottom view thereof; and,
 FIG. 6 is a right side view thereof, the left side being a mirror image of the right side.

(56) **References Cited**

U.S. PATENT DOCUMENTS

2,988,259 A *	6/1961	Callinicos	B65D 5/5021	229/101
D281,146 S *	10/1985	Holewinski	D9/737	

1 Claim, 4 Drawing Sheets

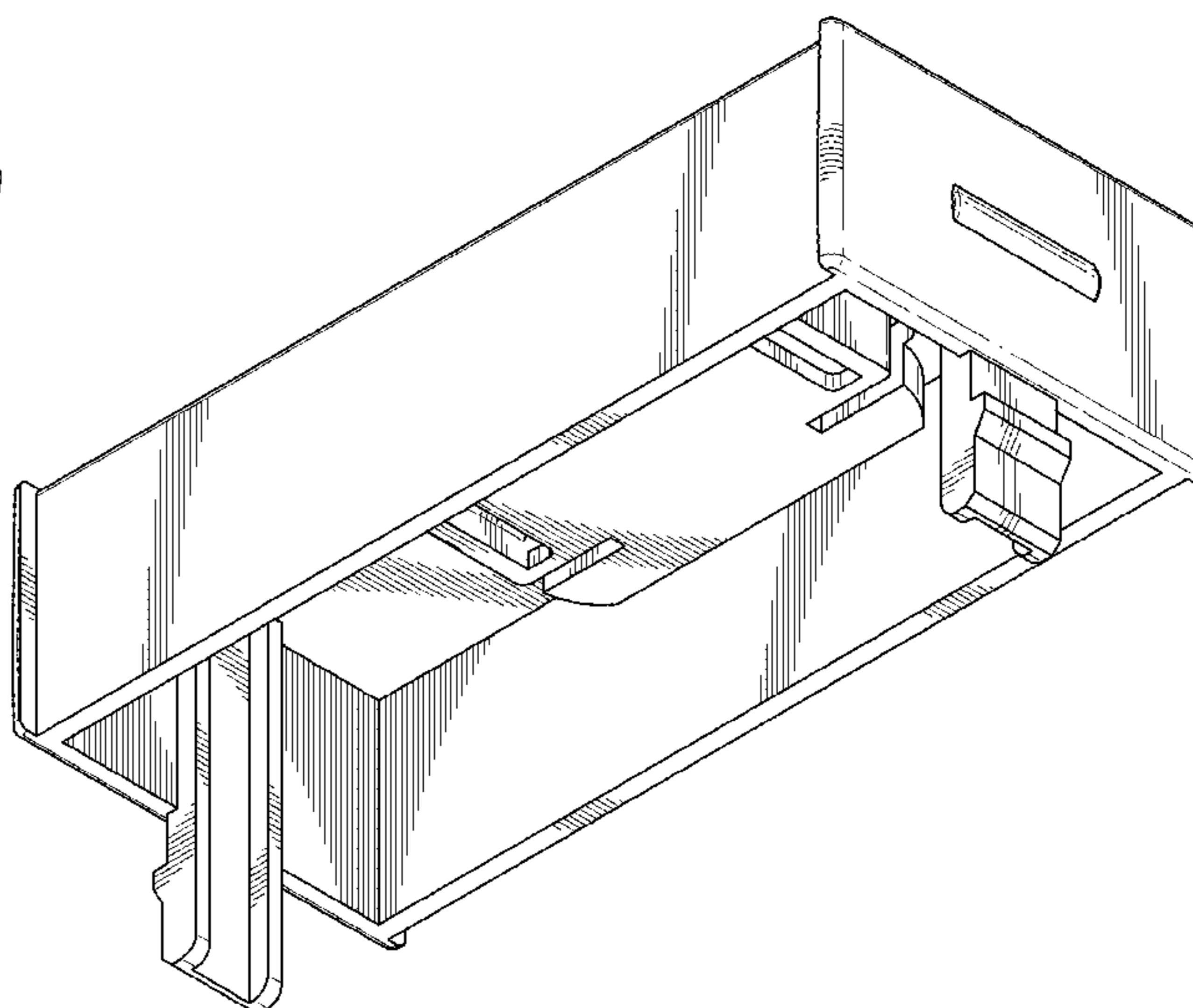
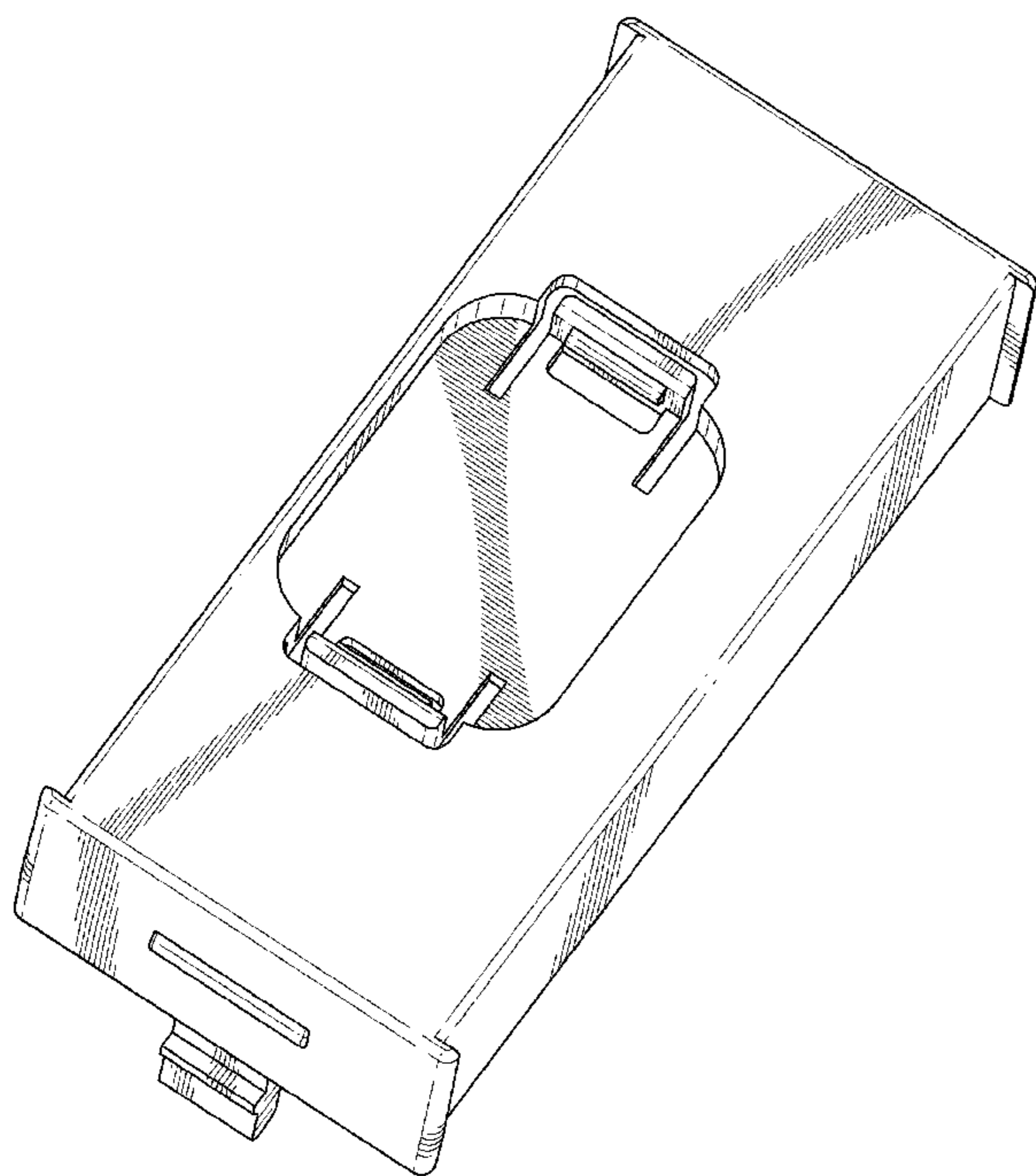


FIG. 1

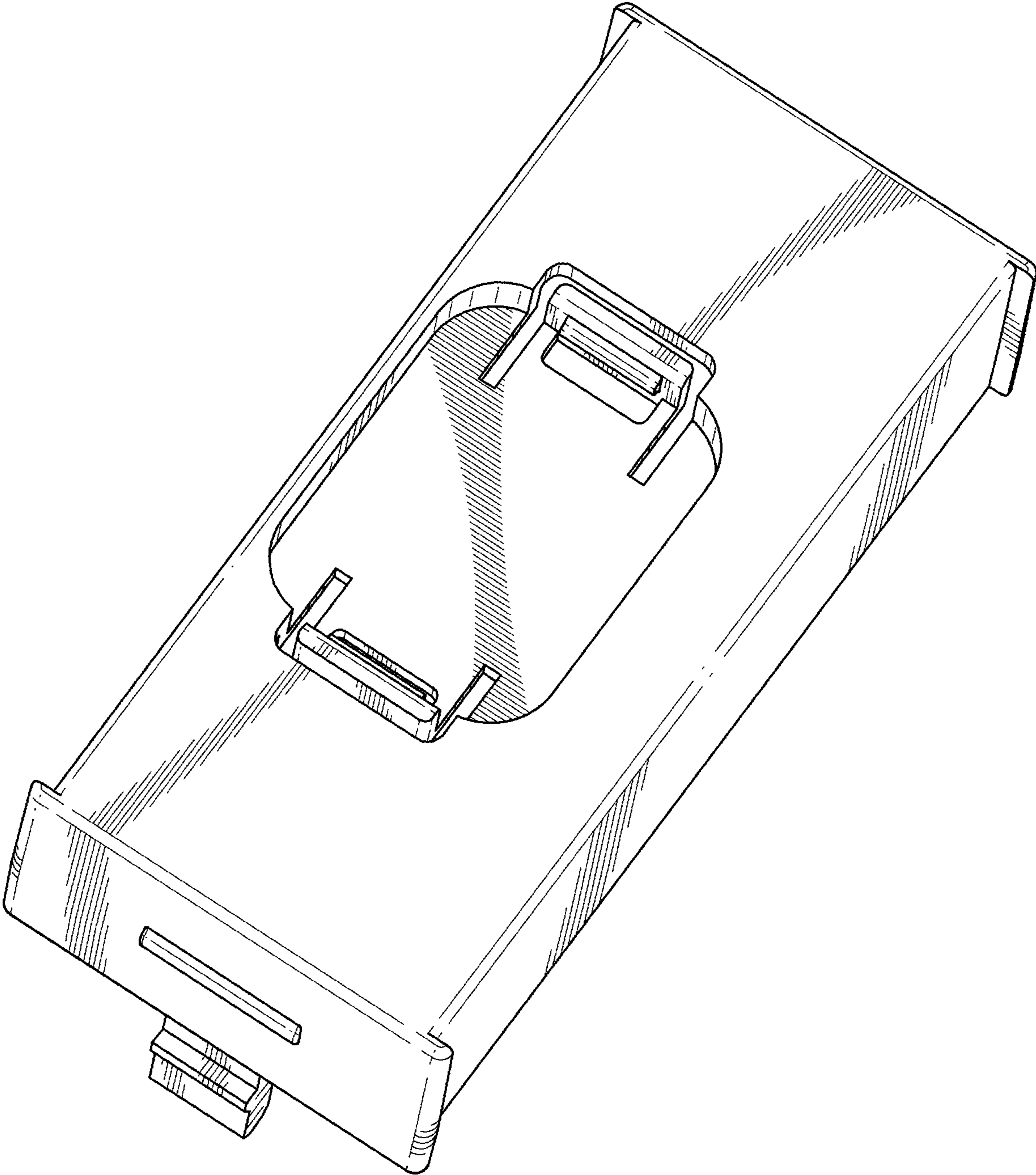


FIG. 2

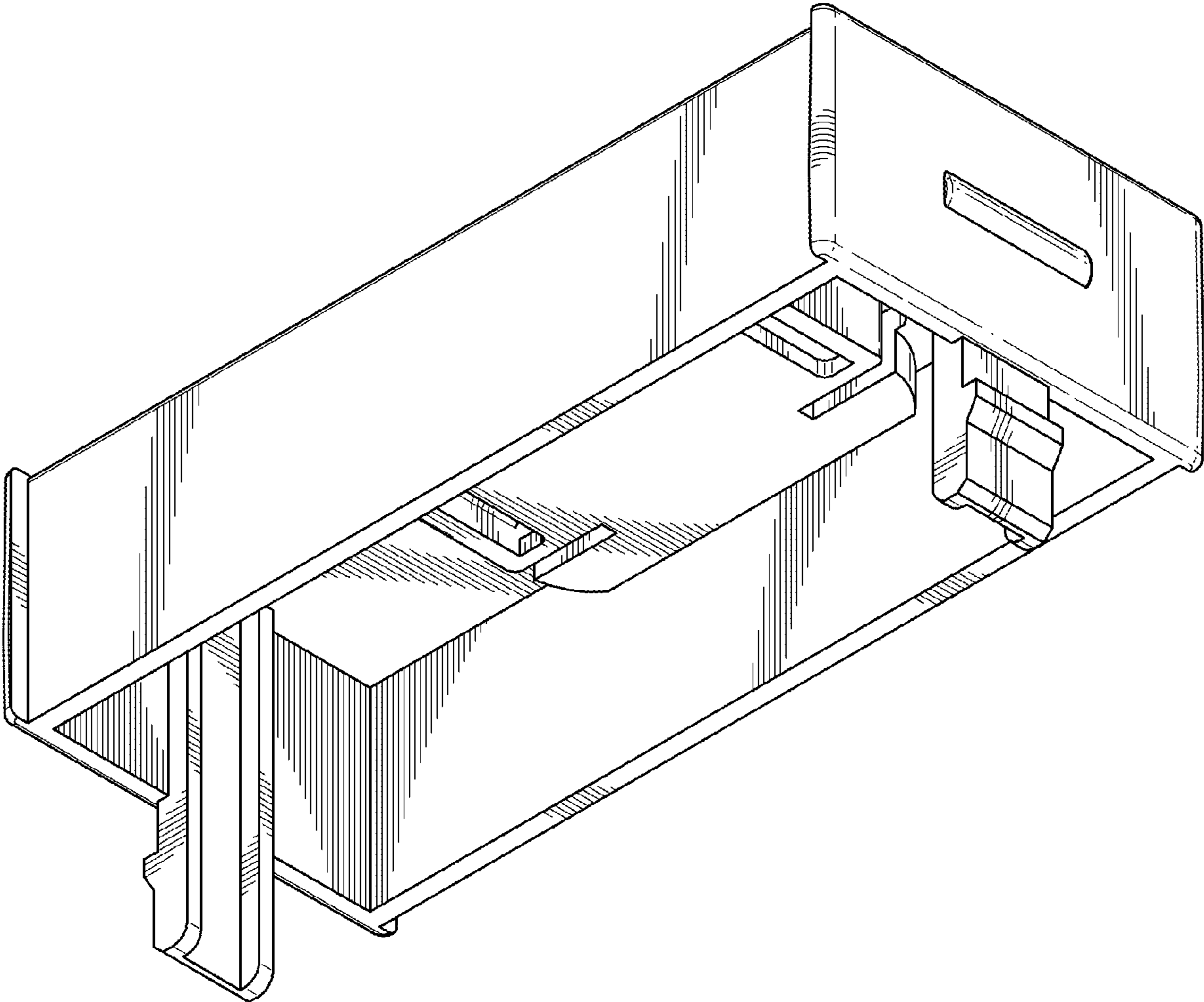


FIG. 3

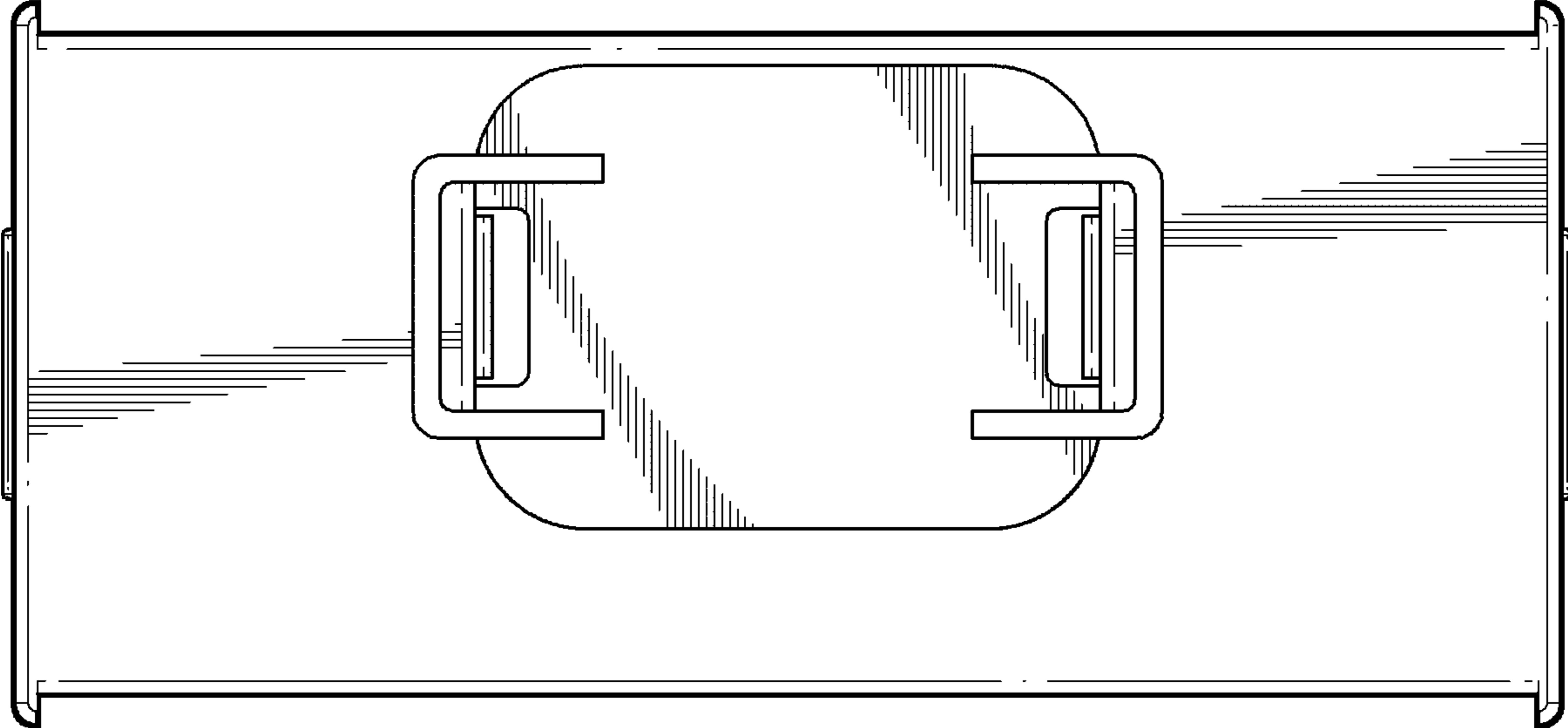


FIG. 4

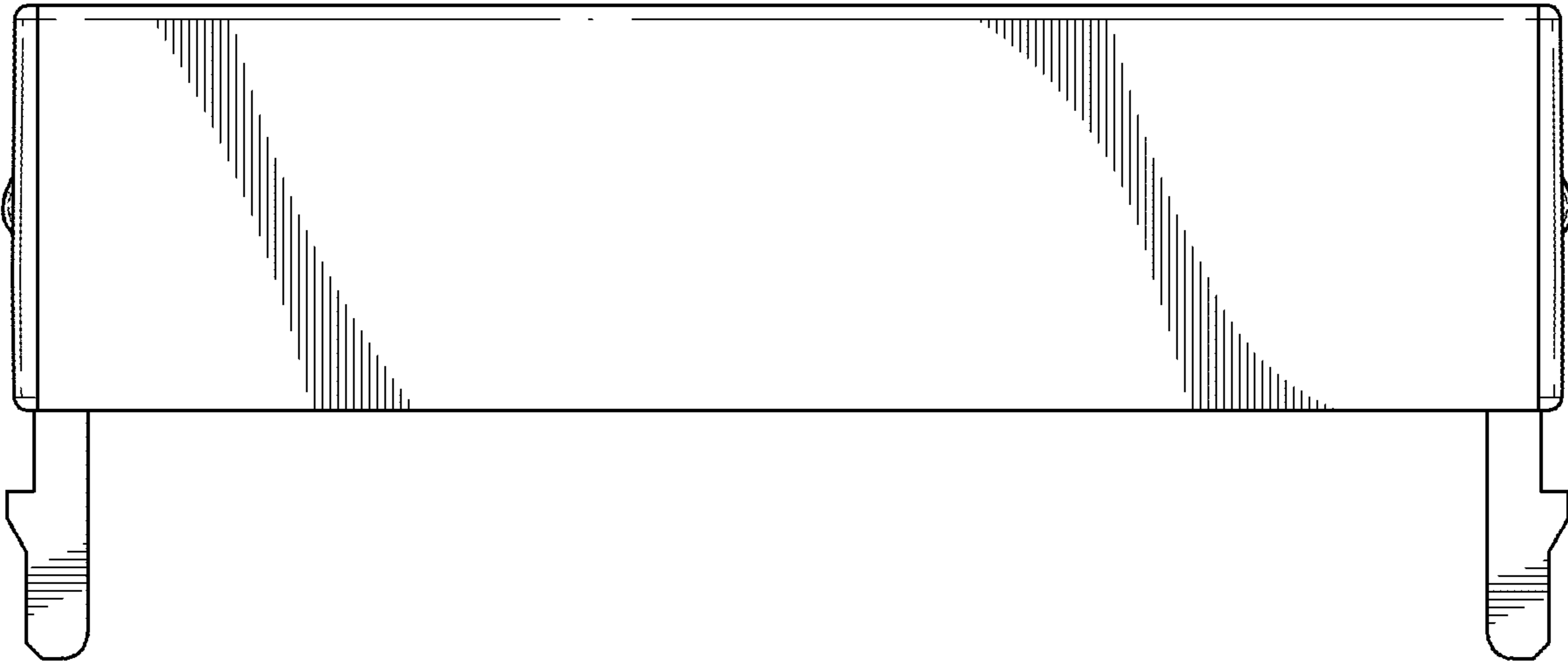


FIG. 5

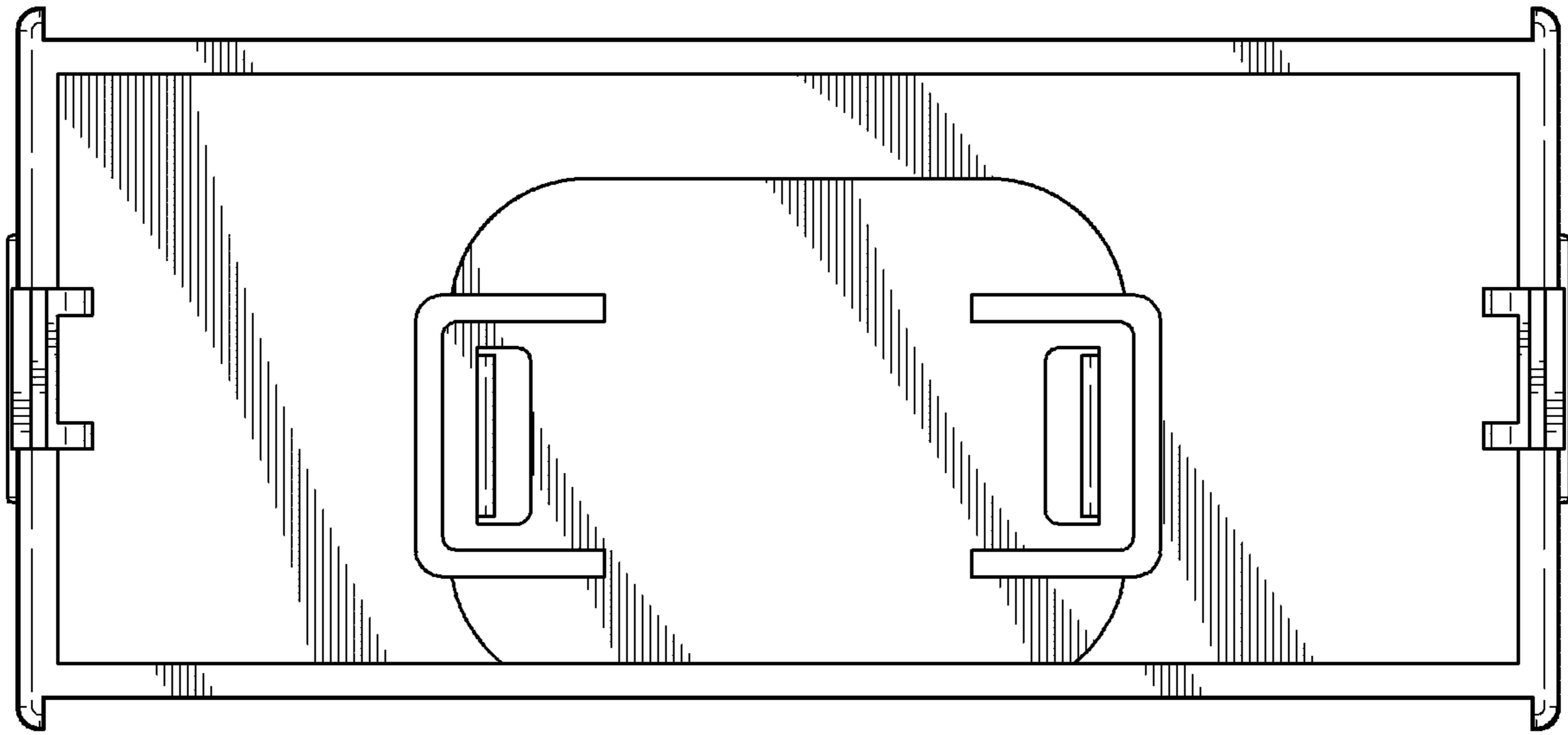


FIG. 6

