



US00D974900S

(12) **United States Design Patent**
Beeravu

(10) **Patent No.:** **US D974,900 S**
(45) **Date of Patent:** **** Jan. 10, 2023**

(54) **HEAVY DUTY ROUND CONTAINER**

(71) Applicant: **Hotpack Packaging Industries LLC**,
Dubai (AE)

(72) Inventor: **Anvar Puthiyaveetil Beeravu**, Dubai
(AE)

(73) Assignee: **Hotpack Packaging Industries LLC**,
Dubai (AE)

(**) Term: **15 Years**

(21) Appl. No.: **29/769,115**

(22) Filed: **Feb. 3, 2021**

(51) **LOC (14) Cl.** **09-03**

(52) **U.S. Cl.**
USPC **D9/429**

(58) **Field of Classification Search**

USPC D9/414, 424, 425, 426, 428, 432, 456,
D9/503, 504, 703, 716, 719, 737, 738,
D9/739, 740, 744, 745, 756, 759, 760,
D9/761; D7/538, 540, 541, 542, 550.1,
D7/553.1, 553.6, 554.1, 554.2, 560, 561,
D7/562, 602, 629, 701, 703, 708;
D3/203.3, 273, 283, 294, 295, 310, 313;
D24/226, 227, 229
CPC ... B65D 1/24; B65D 1/30; B65D 1/34; B65D
1/36; B65D 1/46; B65D 5/46; B65D
5/48; B65D 5/4803; B65D 21/00; B65D
21/02; B65D 21/0233; B65D 25/04;
B65D 2543/00027; B65D 2543/00296;
B65D 77/046; B65D 81/3294; B65D
81/3813; B65D 81/3816; B65D 81/3827;
B65D

(Continued)

(56) **References Cited**

U.S. PATENT DOCUMENTS

3,695,084 A * 10/1972 Siemonsen B65D 21/02
72/348
RE29,320 E * 7/1977 Kalata B65D 21/0233
206/520

(Continued)

FOREIGN PATENT DOCUMENTS

CA 181770 * 7/2019
JP D1676870 * 1/2021
JP D1691061 * 2/2021

OTHER PUBLICATIONS

Igluu Round Plastic Container, posted at Amazon.co.uk on Jul. 21, 2019, [site visited Jul. 14, 2022]. Available from internet, URL: <<https://www.amazon.co.uk/Round-Plastic-Meal-Prep-Containers/dp/B07VF6LYJN/>> (Year: 2019).*

Primary Examiner — Andrew Kerr

Assistant Examiner — Chariton Alexakis

(74) *Attorney, Agent, or Firm* — Avek IP, LLC

(57) **CLAIM**

The ornamental design for a heavy duty round container, as shown and described.

DESCRIPTION

FIG. 1 is a perspective view of a heavy duty round container showing the new design.

FIG. 2 is another perspective view of the heavy duty round container of FIG. 1.

FIG. 3 is a front view of the heavy duty round container of FIG. 1.

FIG. 4 is a rear view of the heavy duty round container of FIG. 1.

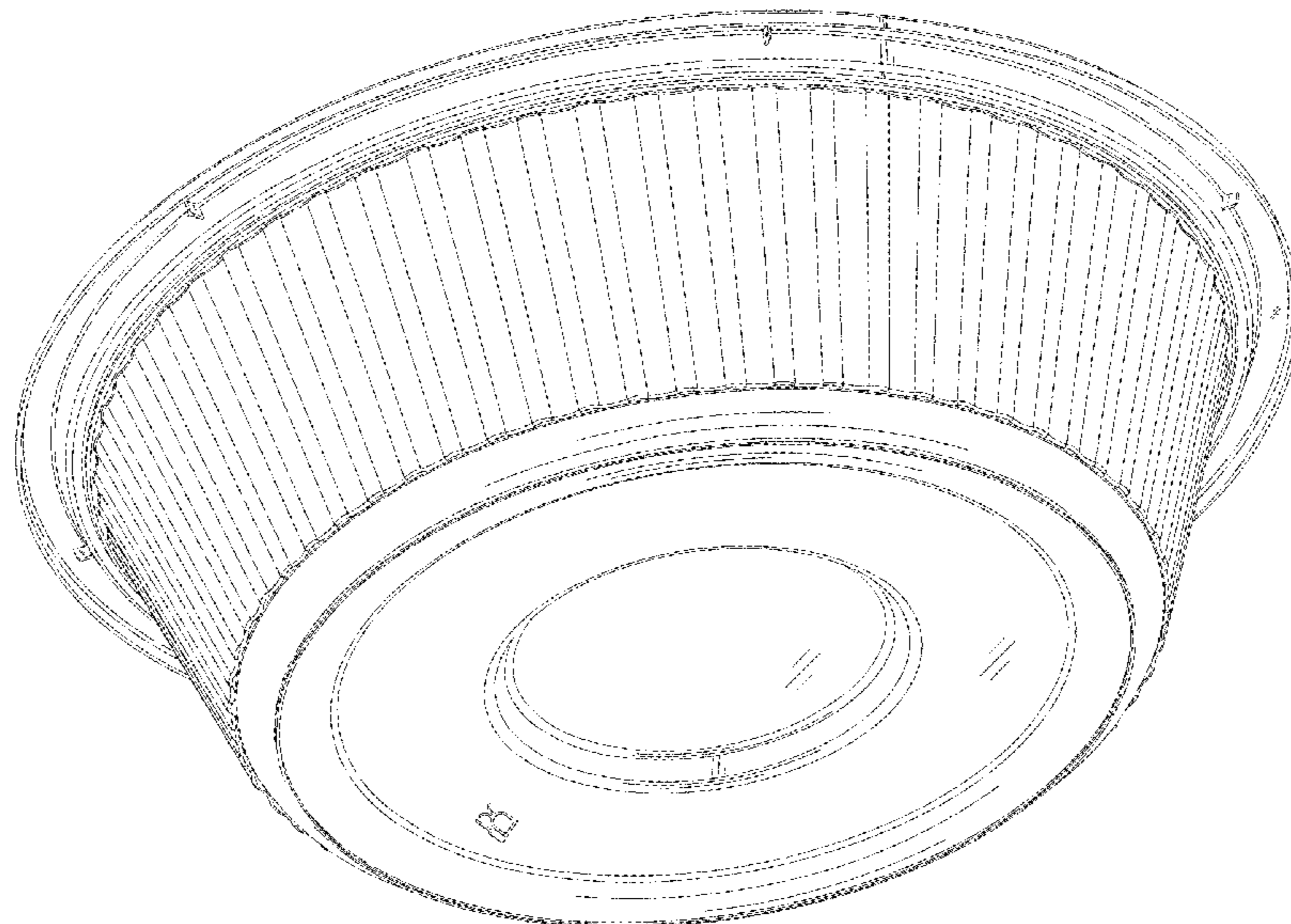
FIG. 5 is a side view of the heavy duty round container of FIG. 1.

FIG. 6 is an opposite side view the heavy duty round container of FIG. 1.

FIG. 7 is a top view the heavy duty round container of FIG. 1; and,

FIG. 8 is a bottom view the heavy duty round container of FIG. 1.

1 Claim, 8 Drawing Sheets



(58) **Field of Classification Search**

CPC .. 85/321; B65D 85/322; B65D 85/324; B65D
85/325; B65D 85/327; Y10S 229/904

See application file for complete search history.

(56) **References Cited**

U.S. PATENT DOCUMENTS

D291,398	S	*	8/1987	Schmidt	D7/354
D371,938	S	*	7/1996	Davis	D7/354
D438,466	S	*	3/2001	Fletcher	D9/429
D468,202	S	*	1/2003	Chou	D9/425
D494,468	S	*	8/2004	Vovan	D9/429
D651,895	S	*	1/2012	Cimmerer	D9/429
D674,689	S	*	1/2013	Chen	D9/429
D684,857	S	*	6/2013	Zhen	D9/429
D705,051	S	*	5/2014	Cassens	D9/429
D791,546	S	*	7/2017	Howell	D7/584
D796,318	S	*	9/2017	Buck	D9/428
D807,704	S	*	1/2018	Epstein	D7/554.2
D815,520	S	*	4/2018	Heo	D9/428
D817,757	S	*	5/2018	Kim	D9/429
D843,829	S	*	3/2019	Brown	D9/425
D850,251	S	*	6/2019	Lin	D9/428
D886,592	S	*	6/2020	Dominion	D9/425
D930,468	S	*	9/2021	Chen	D9/429

* cited by examiner

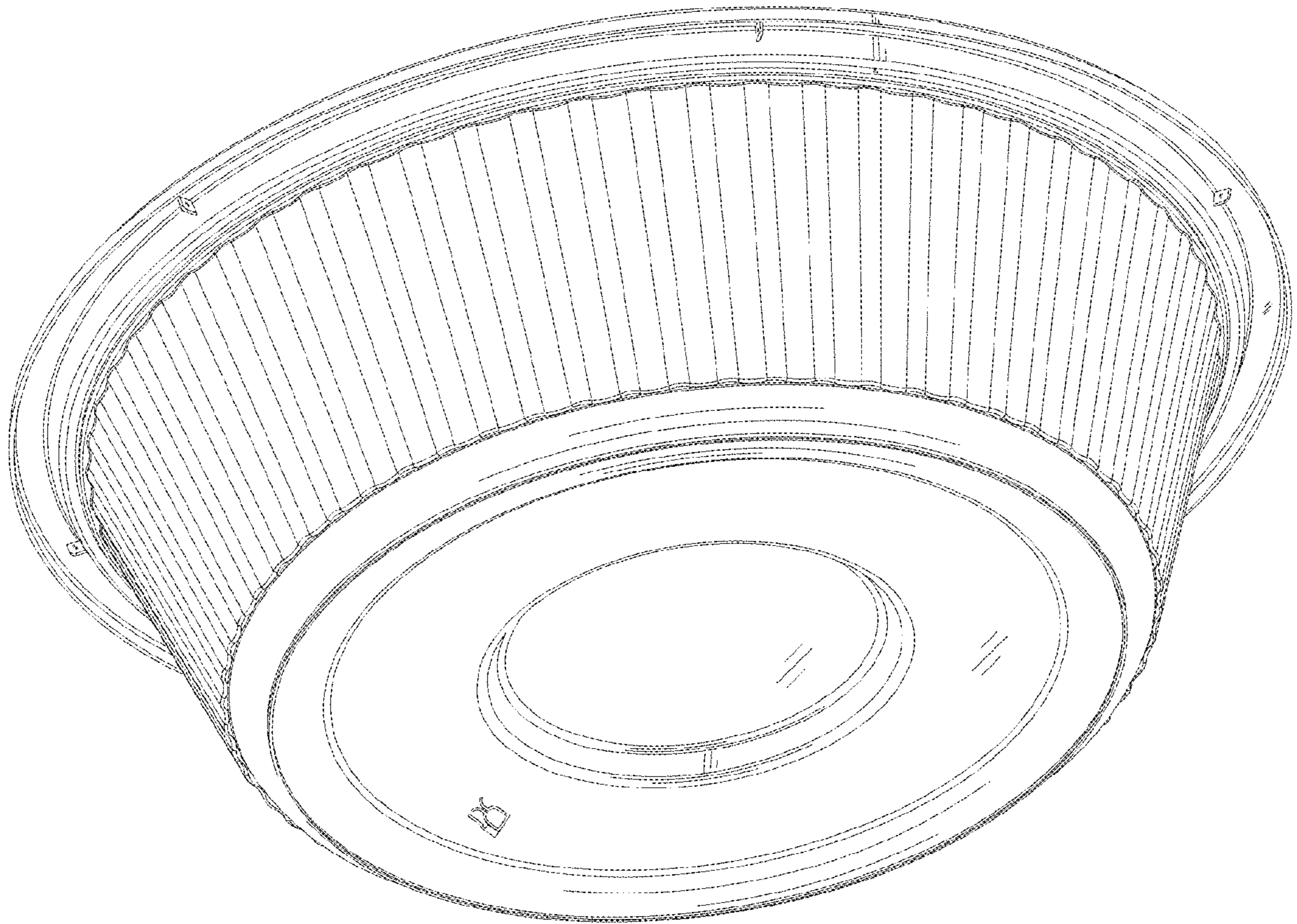


FIG. 1

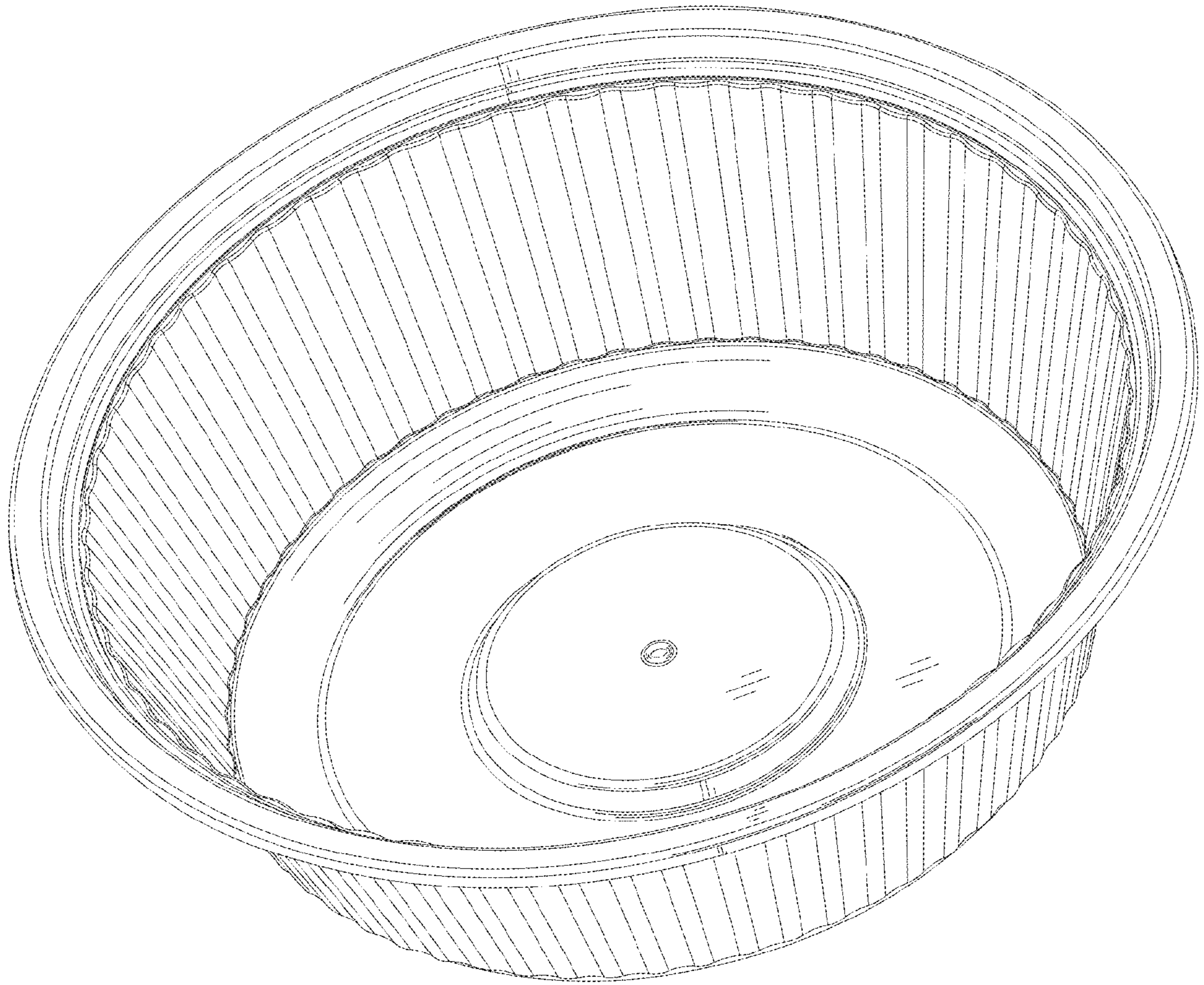


FIG. 2

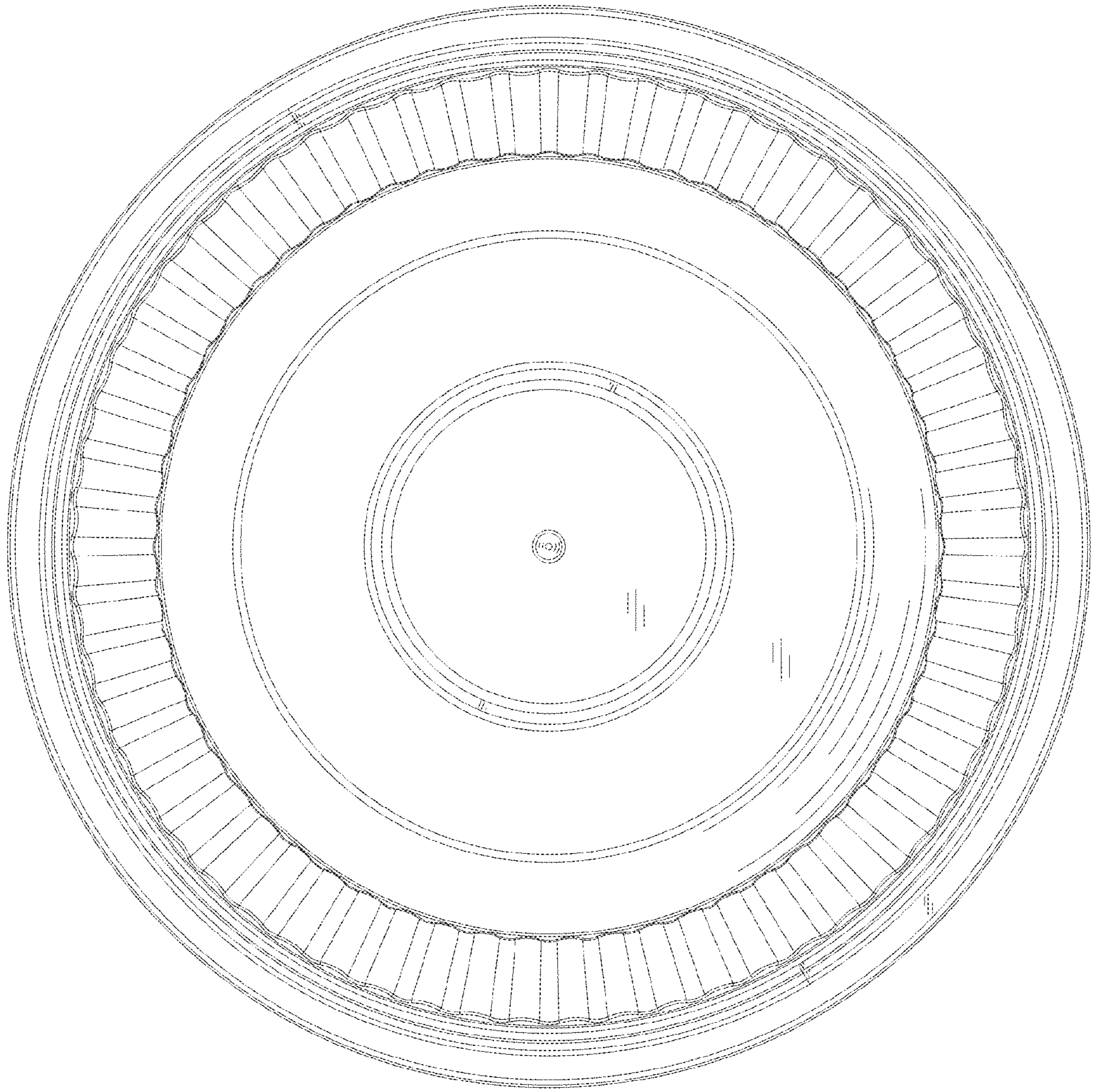


FIG. 3

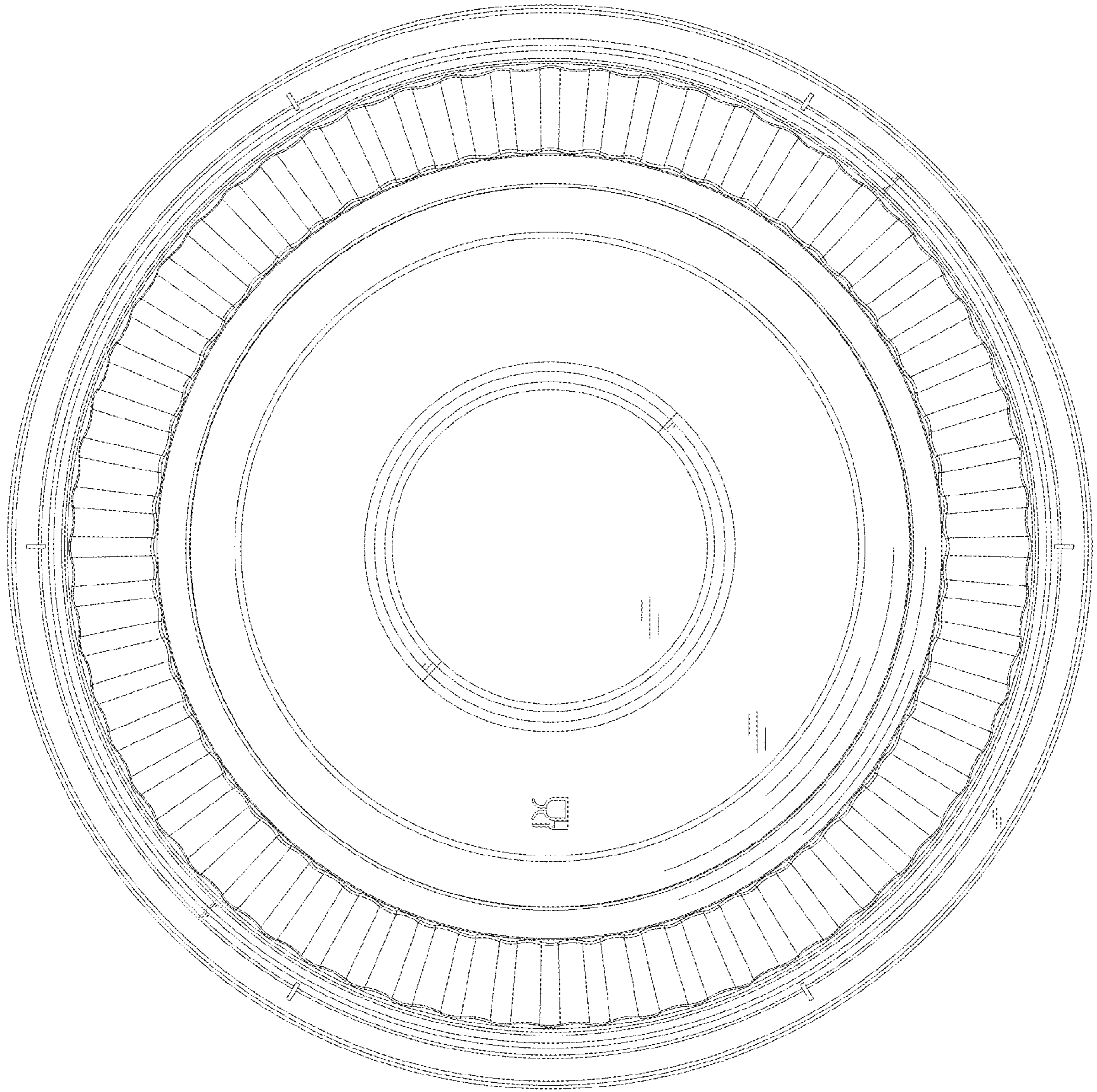


FIG. 4

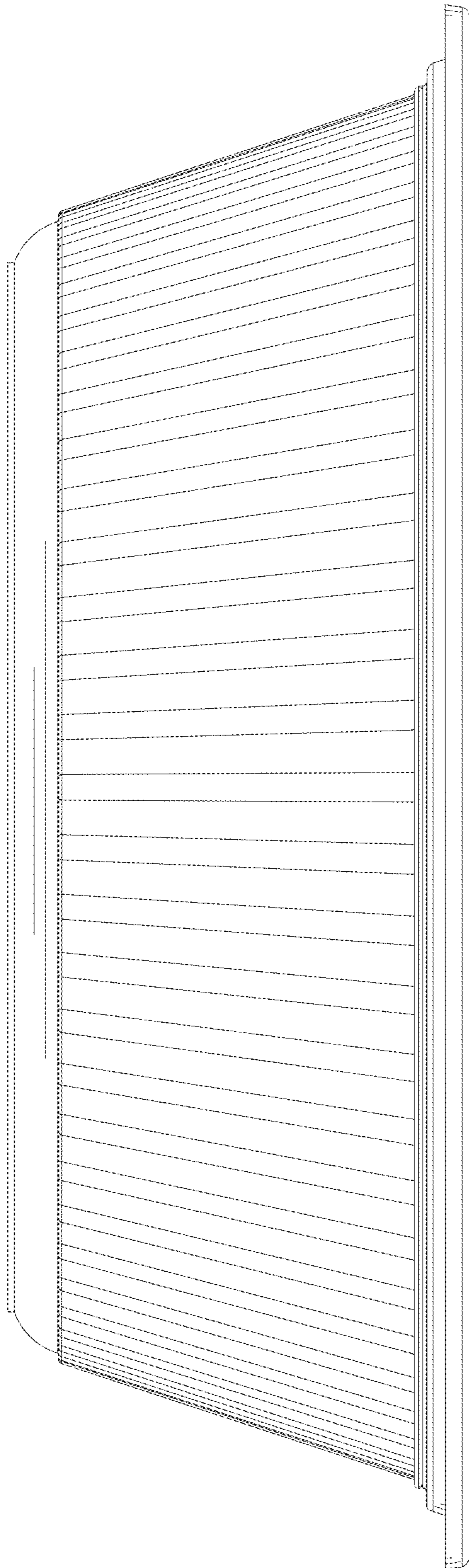


FIG. 5

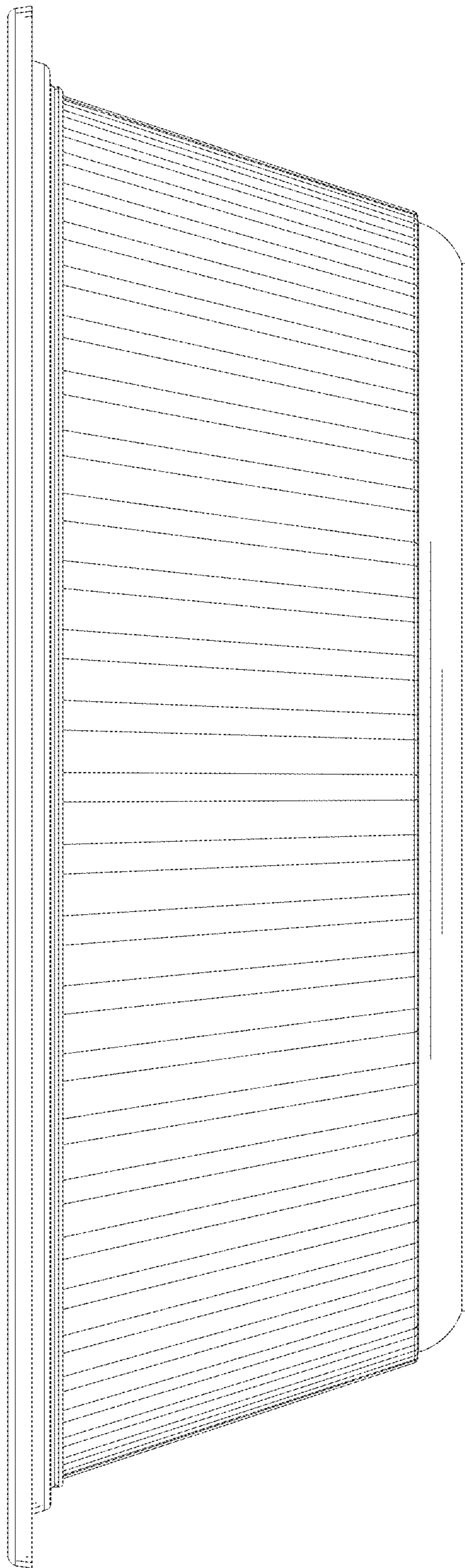


FIG. 6

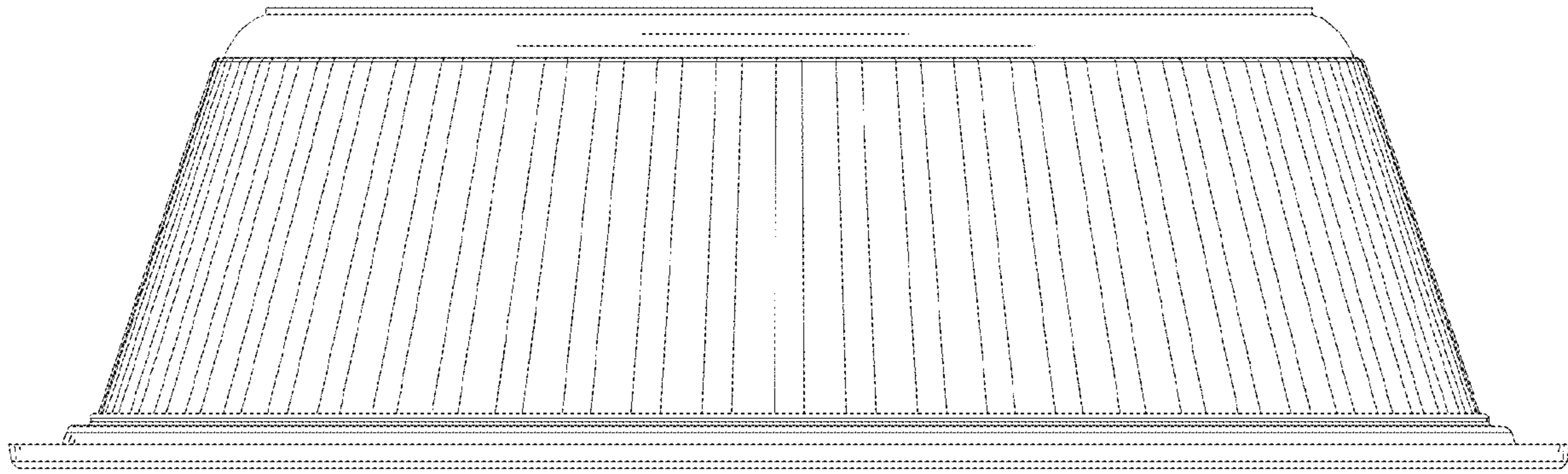


FIG. 7

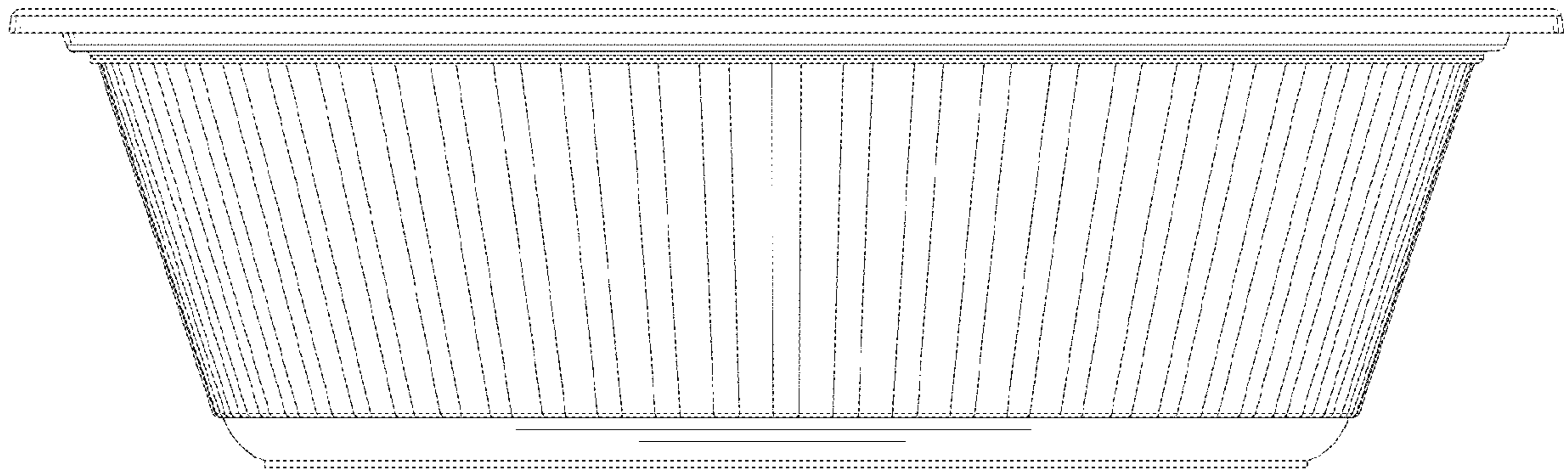


FIG. 8