



US00D974899S

(12) **United States Design Patent**
Fucinato et al.

(10) **Patent No.:** **US D974,899 S**
(45) **Date of Patent:** **** Jan. 10, 2023**

(54) **SECONDARY PACKAGE FOR CONTACT LENS BLISTER PACKAGING**

(71) Applicant: **Johnson & Johnson Vision Care, Inc.**,
Jacksonville, FL (US)

(72) Inventors: **Robert Fucinato**, Jacksonville, FL
(US); **Jay Swamy**, Jacksonville, FL
(US)

(73) Assignee: **Johnson & Johnson Vision Care, Inc.**,
Jacksonville, FL (US)

(**) Term: **15 Years**

(21) Appl. No.: **29/826,357**

(22) Filed: **Feb. 11, 2022**

Related U.S. Application Data

(62) Division of application No. 29/648,524, filed on May 22, 2018, now Pat. No. Des. 945,878.

(51) **LOC (14) Cl.** **09-03**

(52) **U.S. Cl.**
USPC **D9/426; D9/428**

(58) **Field of Classification Search**
USPC D9/414, 420, 428, 730, 735, 736, 737,
D9/748, 749; D3/201, 205, 263, 264,
D3/302; D28/49; D7/502, 601; D6/536
CPC A45C 11/005; A45C 2011/006; A45C
13/1076; A45C 13/002; B65D 2585/545;
B65D 75/326; B65D 83/00; B65D 85/00;
B65D 43/02
See application file for complete search history.

(56) **References Cited**

U.S. PATENT DOCUMENTS

D159,884 S * 8/1950 Baldanza D19/92
D210,273 S * 2/1968 Rhee D9/425

D259,543 S * 6/1981 Commisso D9/426
D262,189 S * 12/1981 Swatek D9/428
D291,067 S * 7/1987 Minost D3/302
D299,606 S * 1/1989 Pomroy D7/542
D363,218 S * 10/1995 Mann D9/418
6,257,790 B1 * 7/2001 Toder A47K 5/02
206/77.1
D486,995 S * 2/2004 Liu D7/502
D658,948 S * 5/2012 Zorovich D7/629
8,960,441 B1 * 2/2015 Marquis A47G 19/26
D7/502
9,994,068 B1 * 6/2018 Kassan B44D 3/02
D872,178 S * 1/2020 Zhu D19/187
D885,844 S * 6/2020 Beebe D7/703
D945,878 S * 3/2022 Fucinato D9/426
2016/0341966 A1 * 11/2016 Palanisamy B65D 5/5045

* cited by examiner

Primary Examiner — Lauren R Calve

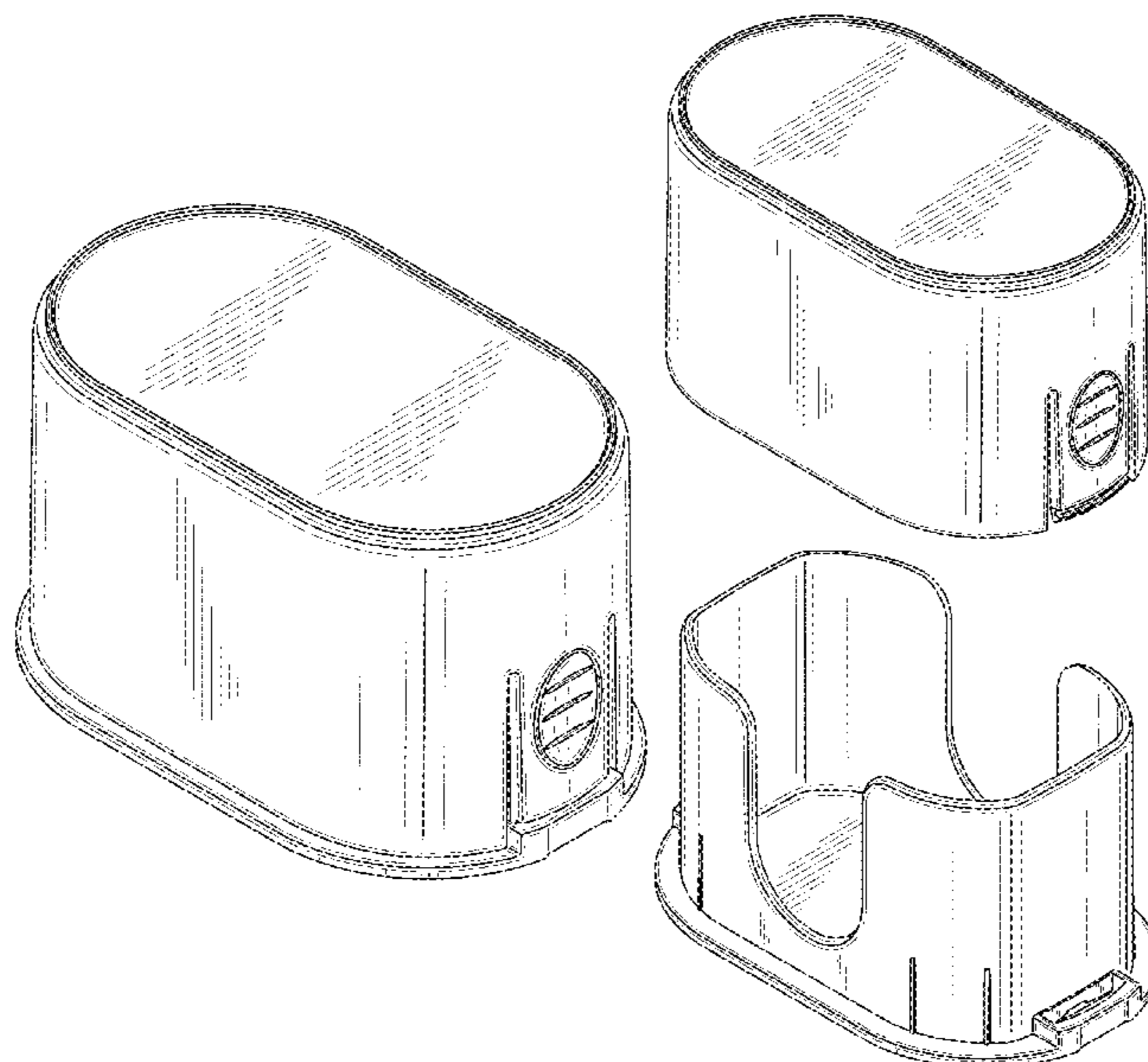
(57) **CLAIM**

The ornamental design for a secondary package for contact lens blister packaging, as shown and described.

DESCRIPTION

FIG. 1 is a perspective view of a secondary package for contact lens blister packaging showing the new design; FIG. 2 is a side view of the secondary package for contact lens blister packaging of FIG. 1; FIG. 3 is a front view of the secondary package for contact lens blister packaging of FIG. 1; FIG. 4 is a top view of the secondary package for contact lens blister packaging of FIG. 1; FIG. 5 is a bottom view of the secondary package for contact lens blister packaging of FIG. 1; and, FIG. 6 is an exploded perspective view of the secondary package for contact lens blister packaging of FIG. 1. The broken lines shown represent portions of the secondary package for contact lens blister packaging that form no part of the claimed design.

1 Claim, 4 Drawing Sheets



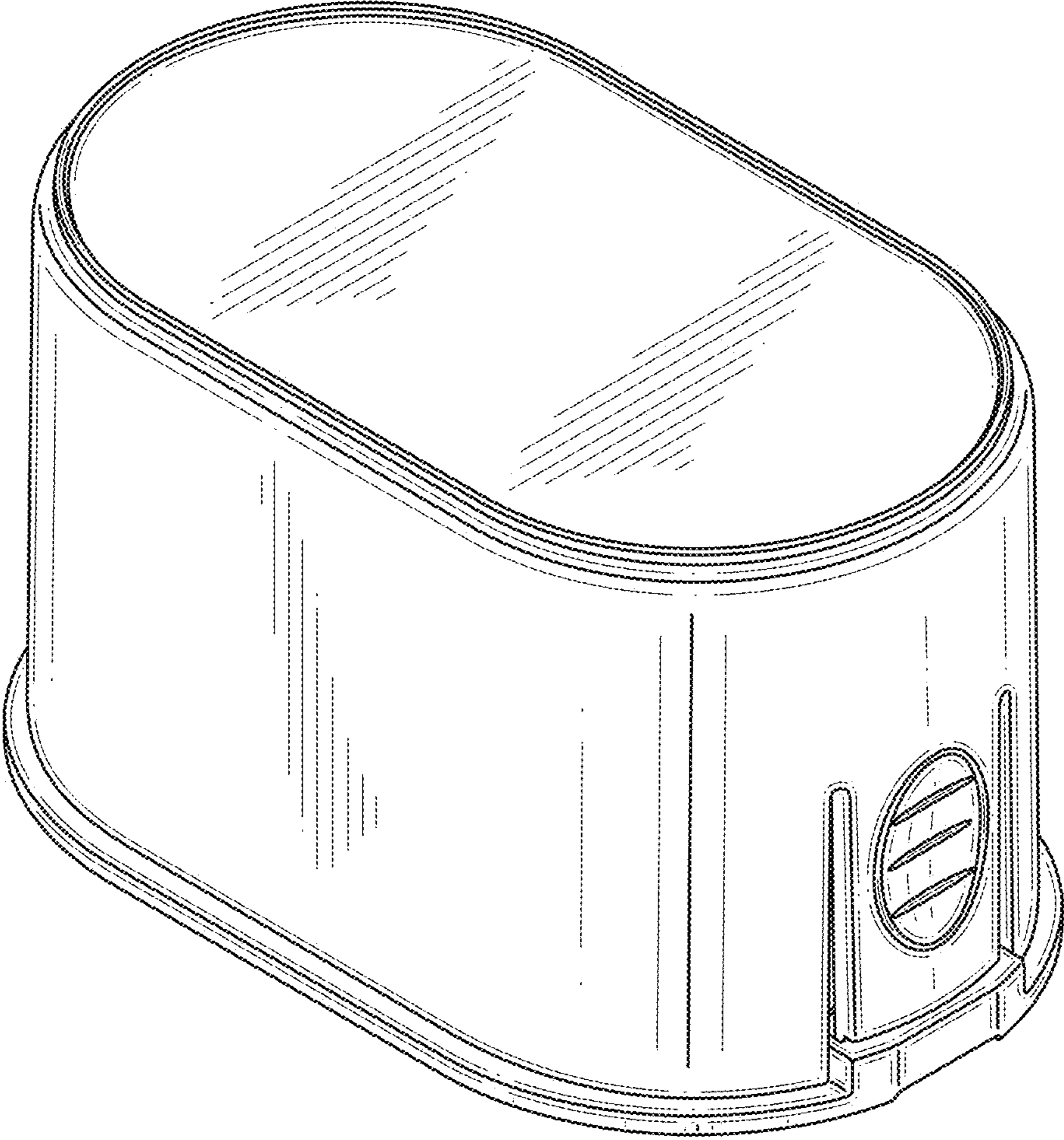


FIG. 1

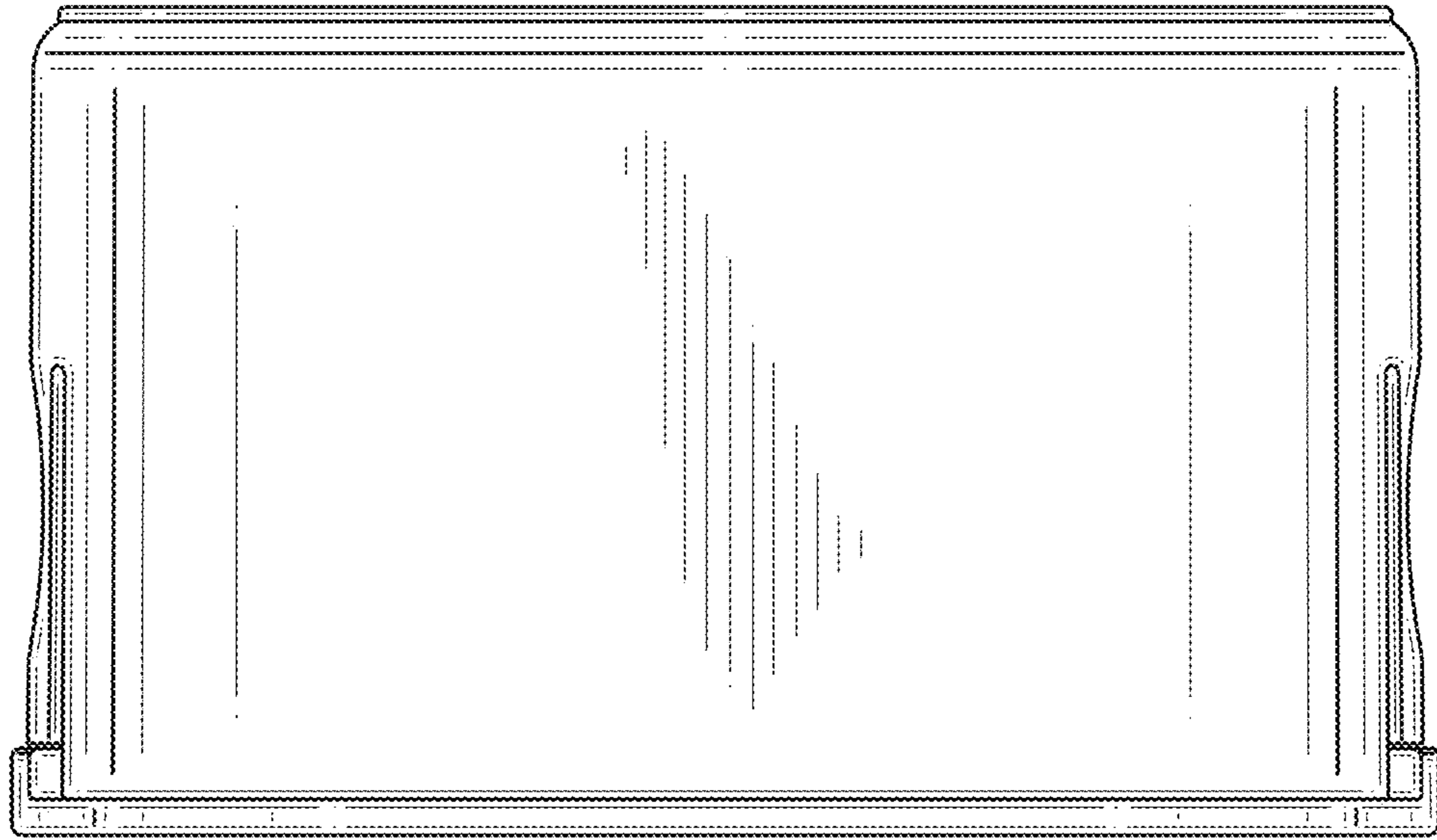


FIG. 2

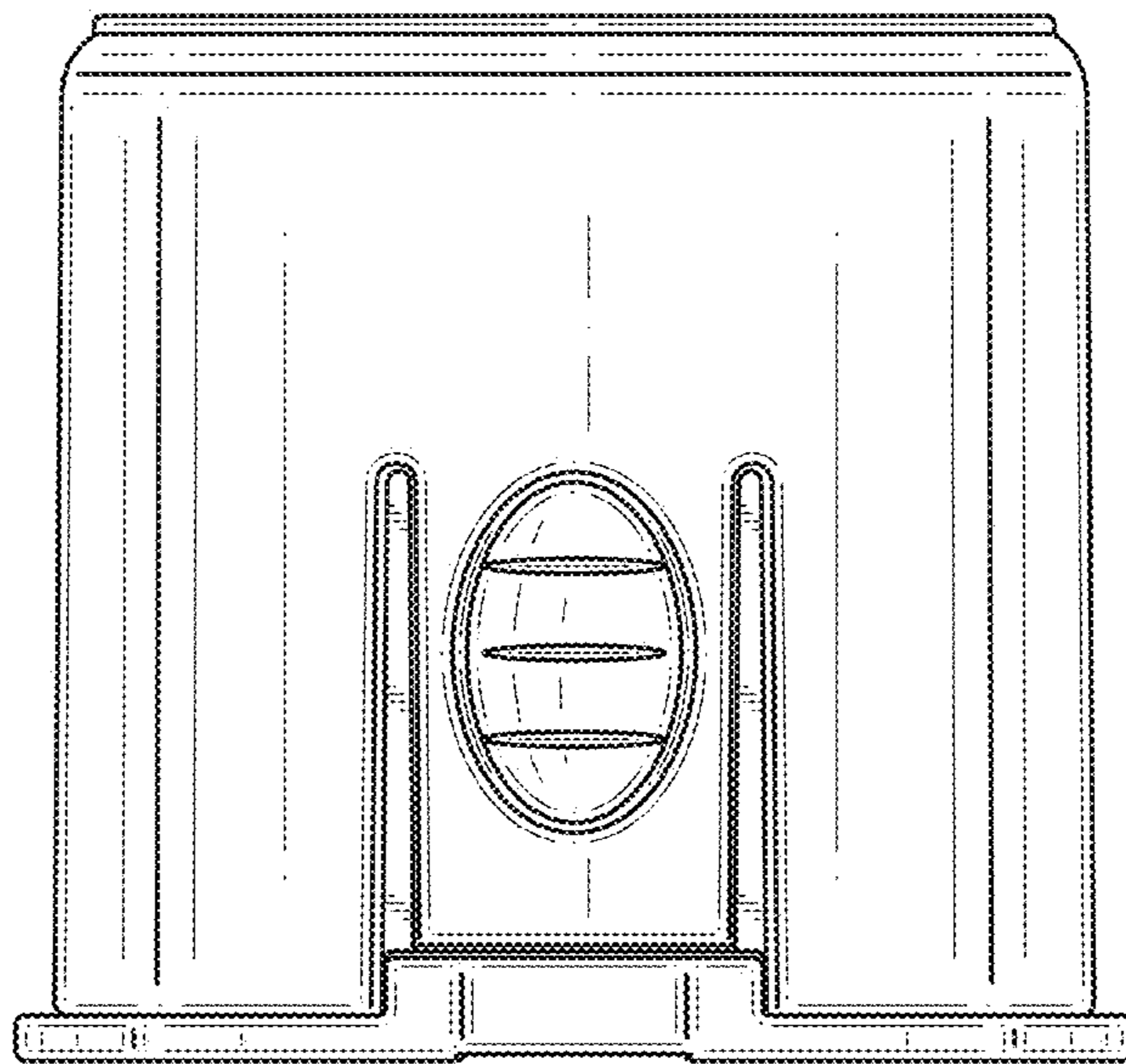


FIG. 3

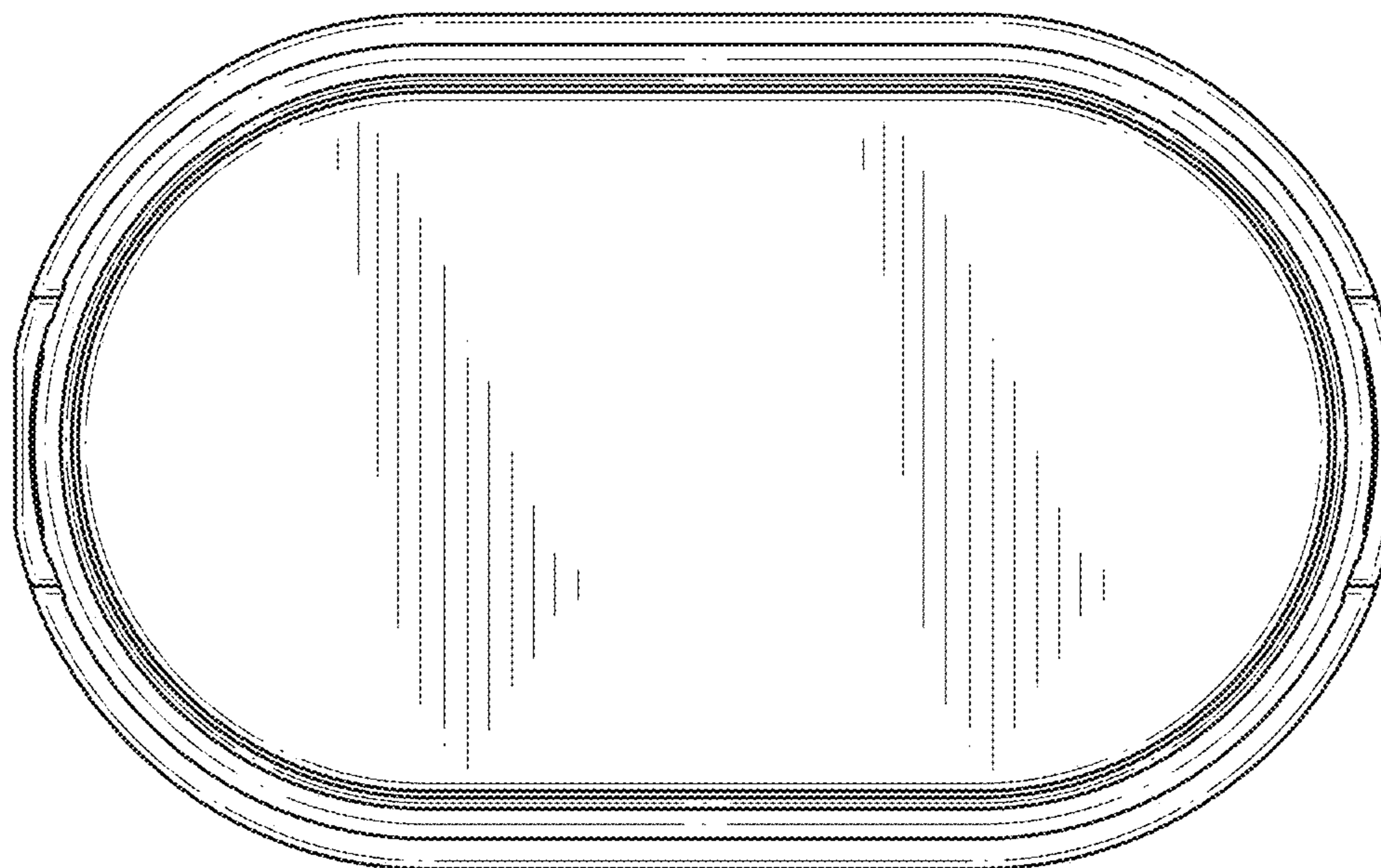


FIG. 4

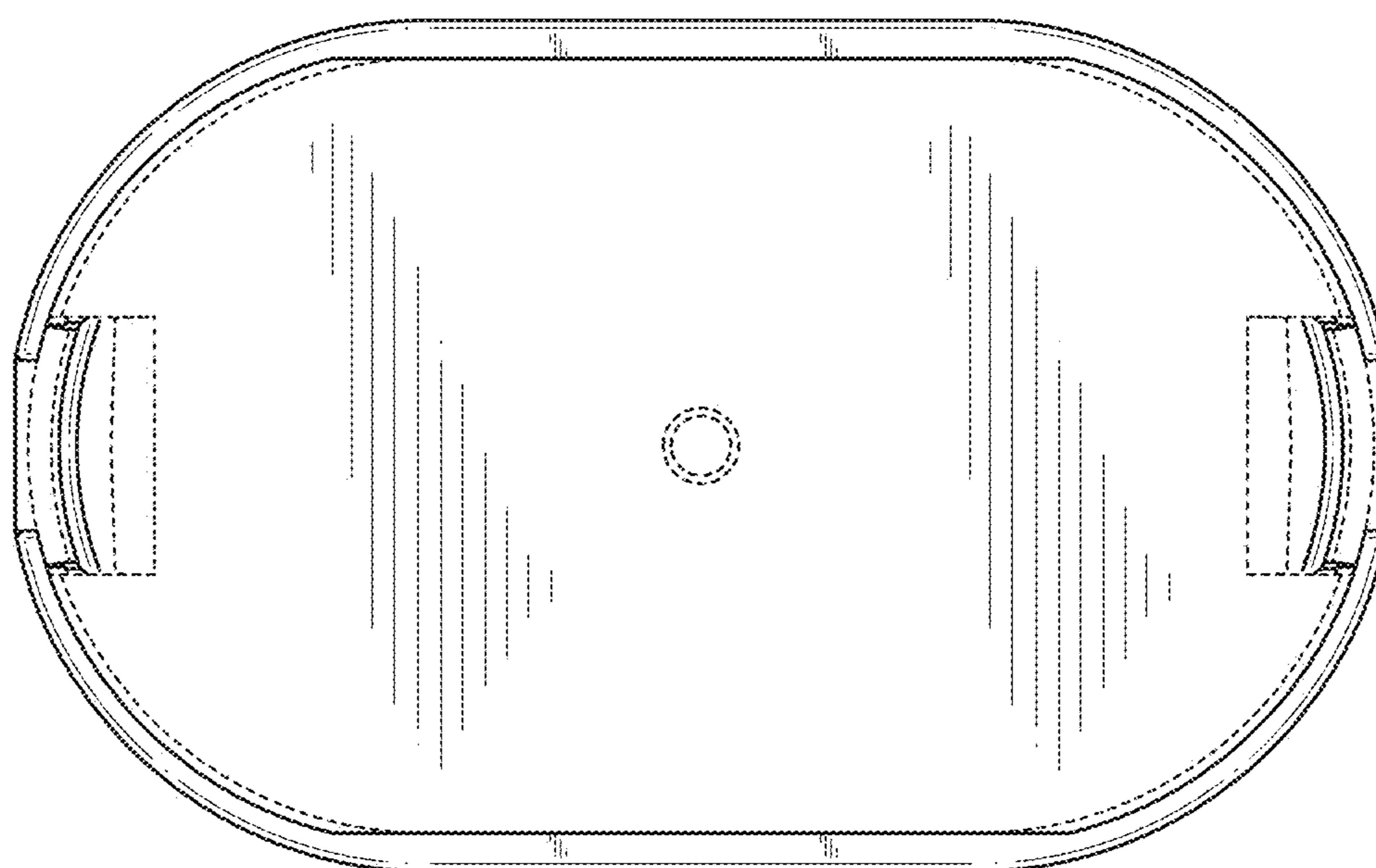


FIG. 5

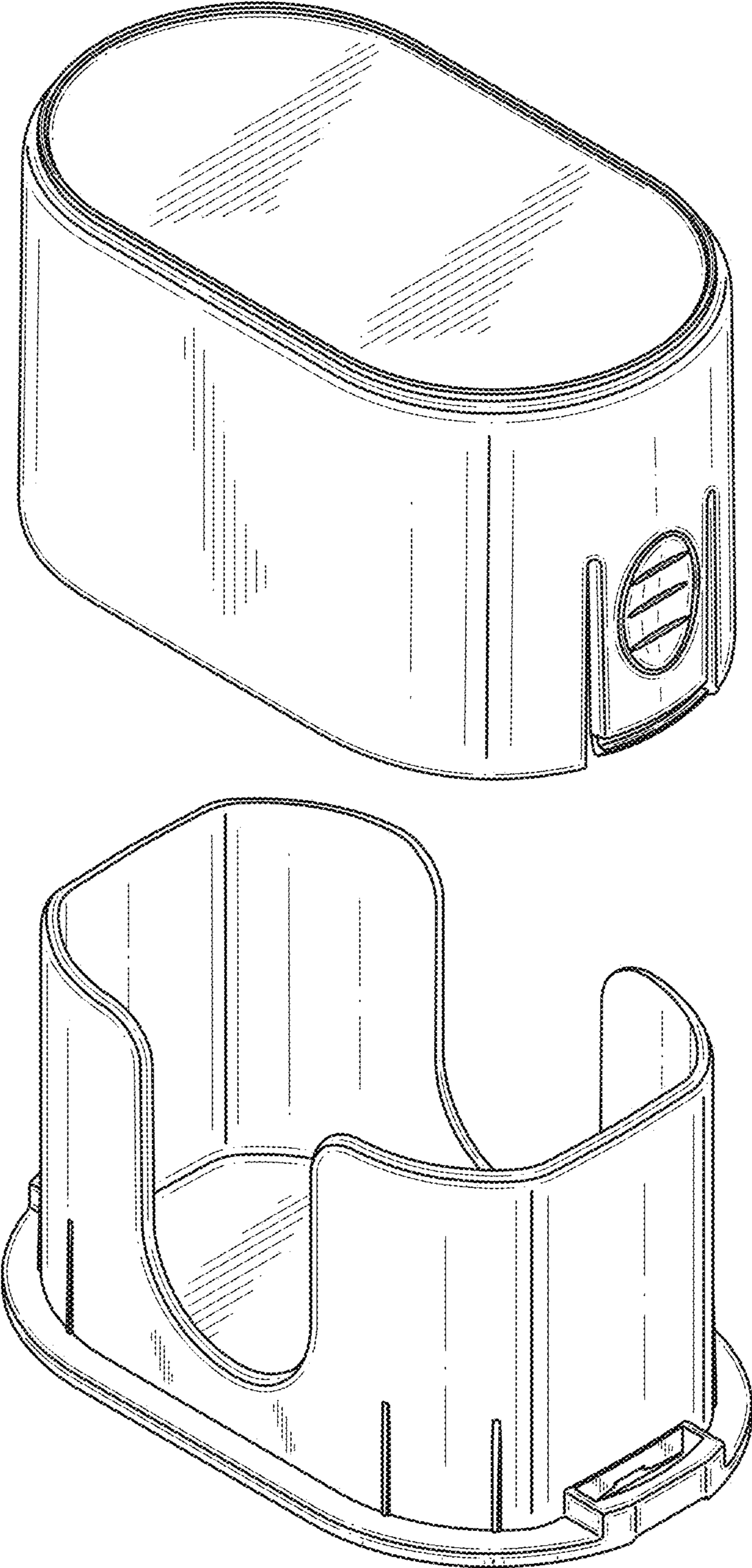


FIG. 6