



US00D974898S

(12) **United States Design Patent** (10) **Patent No.:** **US D974,898 S**
McCloskey (45) **Date of Patent:** **** Jan. 10, 2023**

(54) **CLAMSHELL CONTAINER**
(71) Applicant: **Church Brothers Farms**, Salinas, CA (US)
(72) Inventor: **Alex McCloskey**, Carmel, CA (US)
(73) Assignee: **CHURCH BROTHERS FARMS**, Salinas, CA (US)
(**) Term: **15 Years**
(21) Appl. No.: **29/757,628**
(22) Filed: **Nov. 6, 2020**
(51) **LOC (14) Cl.** **09-03**
(52) **U.S. Cl.**
USPC **D9/425; D9/430**
(58) **Field of Classification Search**
USPC D9/425, 428, 430, 529, 614, 337, 414, D9/420, 423, 424, 521, 522, 549, 551, D9/554, 559, 566; D7/601, 602, 629
(Continued)

(56) **References Cited**
U.S. PATENT DOCUMENTS
D213,674 S * 4/1969 Dewees D9/425
D223,232 S * 4/1972 Jacobson D9/425
(Continued)

FOREIGN PATENT DOCUMENTS
CA 78892 * 8/1996

OTHER PUBLICATIONS
Inline Plastics Safe-T-Fresh® Sandwich Wedge—17.2 oz. by Paper Supply Company, Inc, Online, published N/A. Retrieved Oct. 20, 2022 from URL:<https://catalog.prpaper.com/p/INL-TS1SW/Inline-Plastics-Safe-T-Fresh-Sandwich-Wedge-172-oz/> (Year: 2022).*

Primary Examiner — Jae Liang
Assistant Examiner — Royner Mendoza
(74) *Attorney, Agent, or Firm* — Nixon & Vanderhye, PC
(57) **CLAIM**

The ornamental design for a clamshell container, as shown and described.

DESCRIPTION

FIG. 1 is a front perspective view of a clamshell container according to a first embodiment of our design, wherein the clamshell container is the closed position;

FIG. 2 is a front elevation view thereof;
FIG. 3 is a rear elevation view thereof;
FIG. 4 is a top plan view thereof;
FIG. 5 is a bottom plan view thereof;
FIG. 6 is a right side view thereof;
FIG. 7 is a left side view thereof;
FIG. 8 is a left front perspective view thereof;
FIG. 9 is a rear perspective view thereof;
FIG. 10 is a front perspective view thereof wherein the clamshell container is in an open position;
FIG. 11 is a front elevation view of the open clamshell container of FIG.10;
FIG. 12 is a rear elevation view of the open clamshell container of FIG. 10;
FIG. 13 is a top plan view of the open clamshell container of FIG. 10;
FIG. 14 is a bottom plan view of the open clamshell container of FIG. 10;
FIG. 15 is a right side view of the open clamshell container of FIG. 10;
FIG. 16 is a left side view of the open clamshell container of FIG. 10;
FIG. 17 is a left front perspective view of the open clamshell container of FIG. 10;
FIG. 18 is a rear perspective view of the open clamshell container of FIG. 10;
FIG. 19 is a top elevation view of the clamshell container according to a second embodiment of our design;
FIG. 20 is a front perspective view of the clamshell container of FIG. 19;
FIG. 21 is a top elevation view of a clamshell container according to a third embodiment of our design;
FIG. 22 is a bottom elevation view of the clamshell container of FIG. 21;
FIG. 23 is a front perspective view of the clamshell container of FIG. 21;
FIG. 24 is rear perspective view of the clamshell container of FIG. 21;
FIG. 25 is a right front perspective view of a clamshell container according to a fourth embodiment of our design;
FIG. 26 is a rear plan view of the clamshell container of FIG. 25;
FIG. 27 is a top plan view of the clamshell container of FIG. 25;

(Continued)

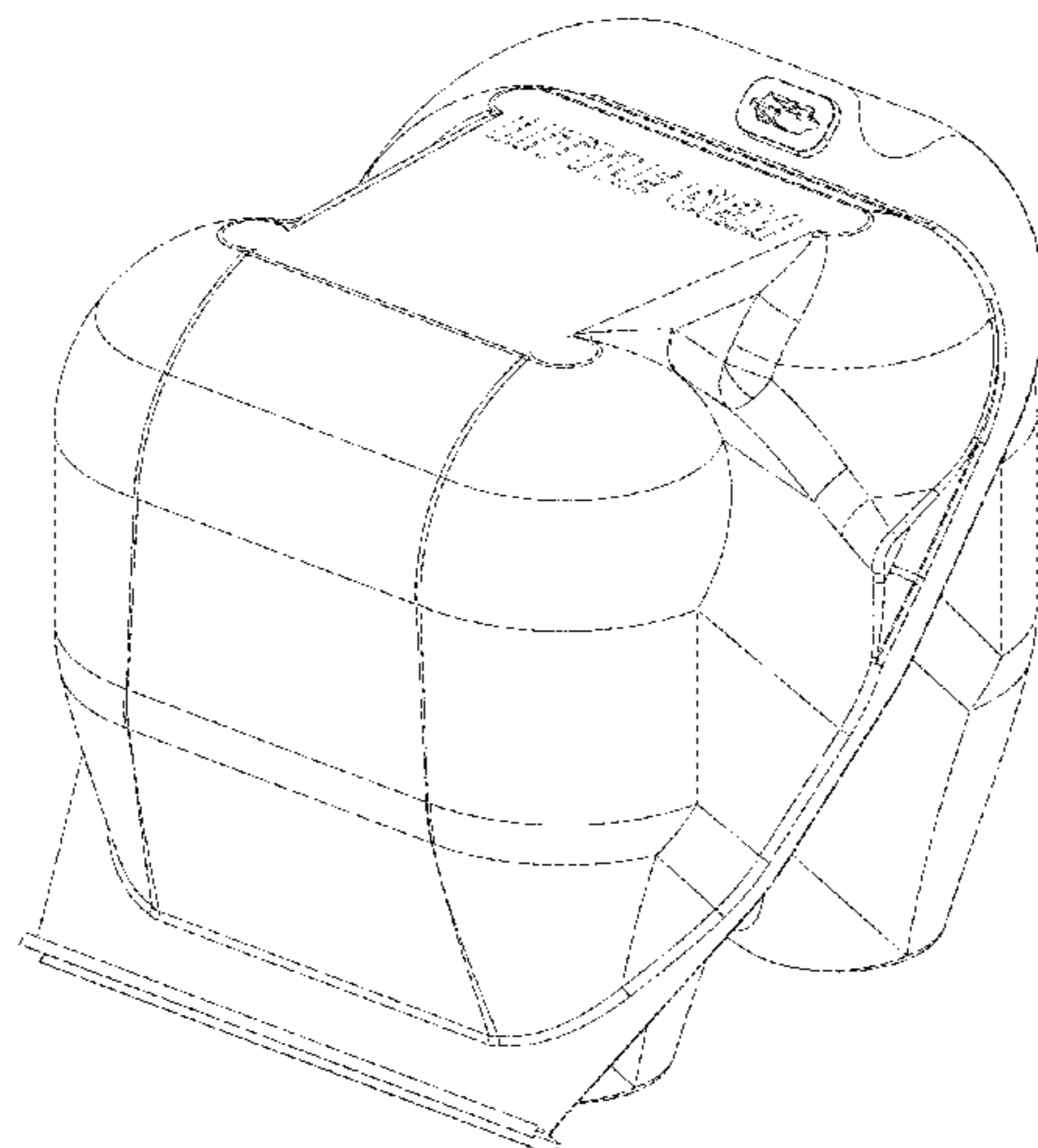


FIG. 28 is a left front perspective view of the clamshell container of FIG. 25; and,

FIG. 29 is a left rear perspective view of the clamshell container of FIG. 25.

The dashed lines shown in the FIGURES represent environmental structure and form no part of the claimed design.

1 Claim, 29 Drawing Sheets

(58) **Field of Classification Search**

CPC A45D 40/0068; A45D 2200/051; B65D
2251/0015; B65D 50/041; B65D
2501/0081; B65D 1/0223; B65D 23/102;
B65D 2501/00; B65D 2501/0009

See application file for complete search history.

(56) **References Cited**

U.S. PATENT DOCUMENTS

D365,272 S *	12/1995	Krupa	D9/425
D477,219 S *	7/2003	Waterhouse	D9/430
D653,943 S *	2/2012	Bhattacharya	D9/430
D752,430 S *	3/2016	Stevenson	D9/425
D850,906 S *	6/2019	Ahn	D9/425
D962,075 S *	8/2022	Wu	D9/557
2006/0037930 A1 *	2/2006	Darr	B65D 1/0223 215/396

* cited by examiner

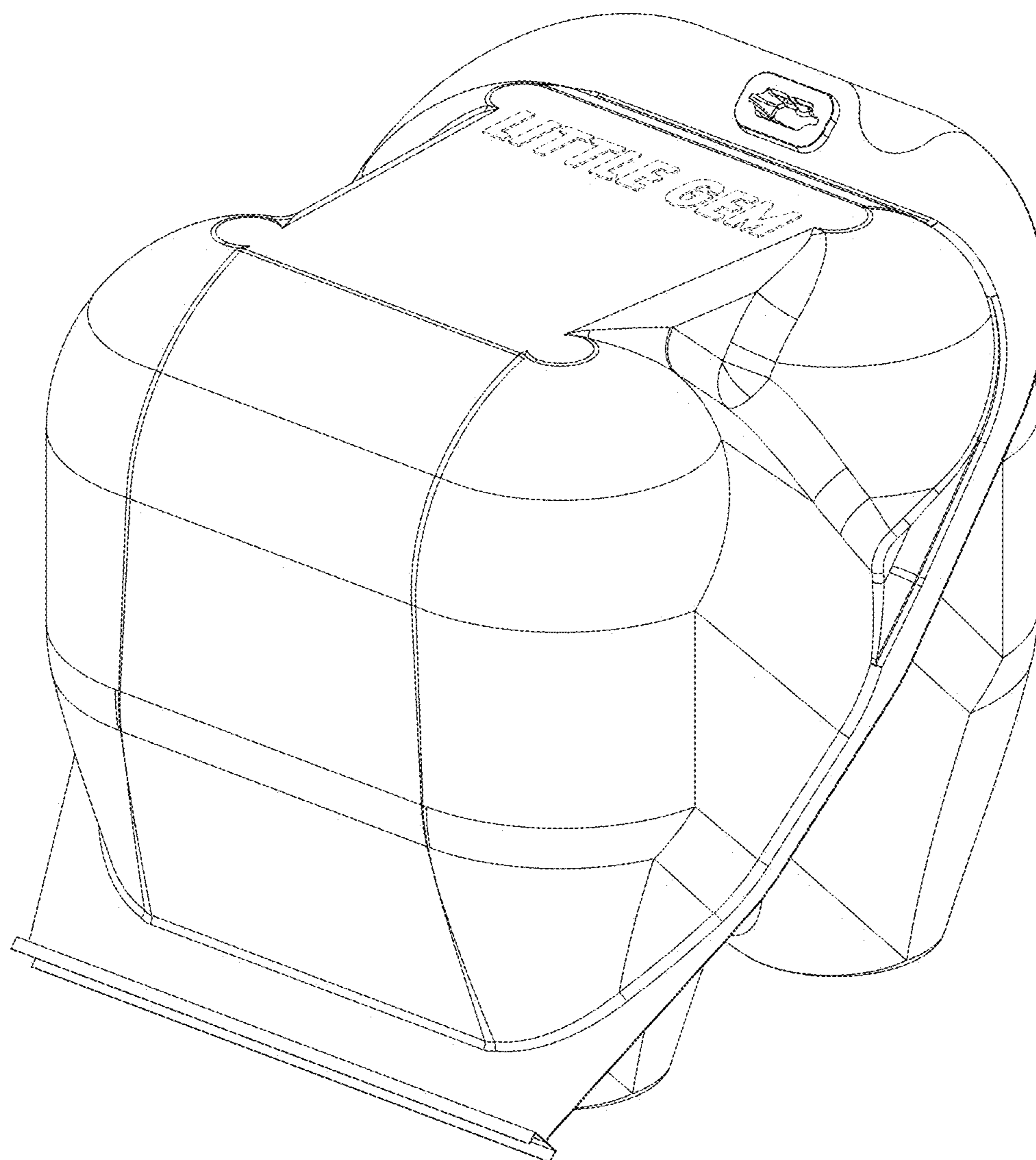


FIG. 1

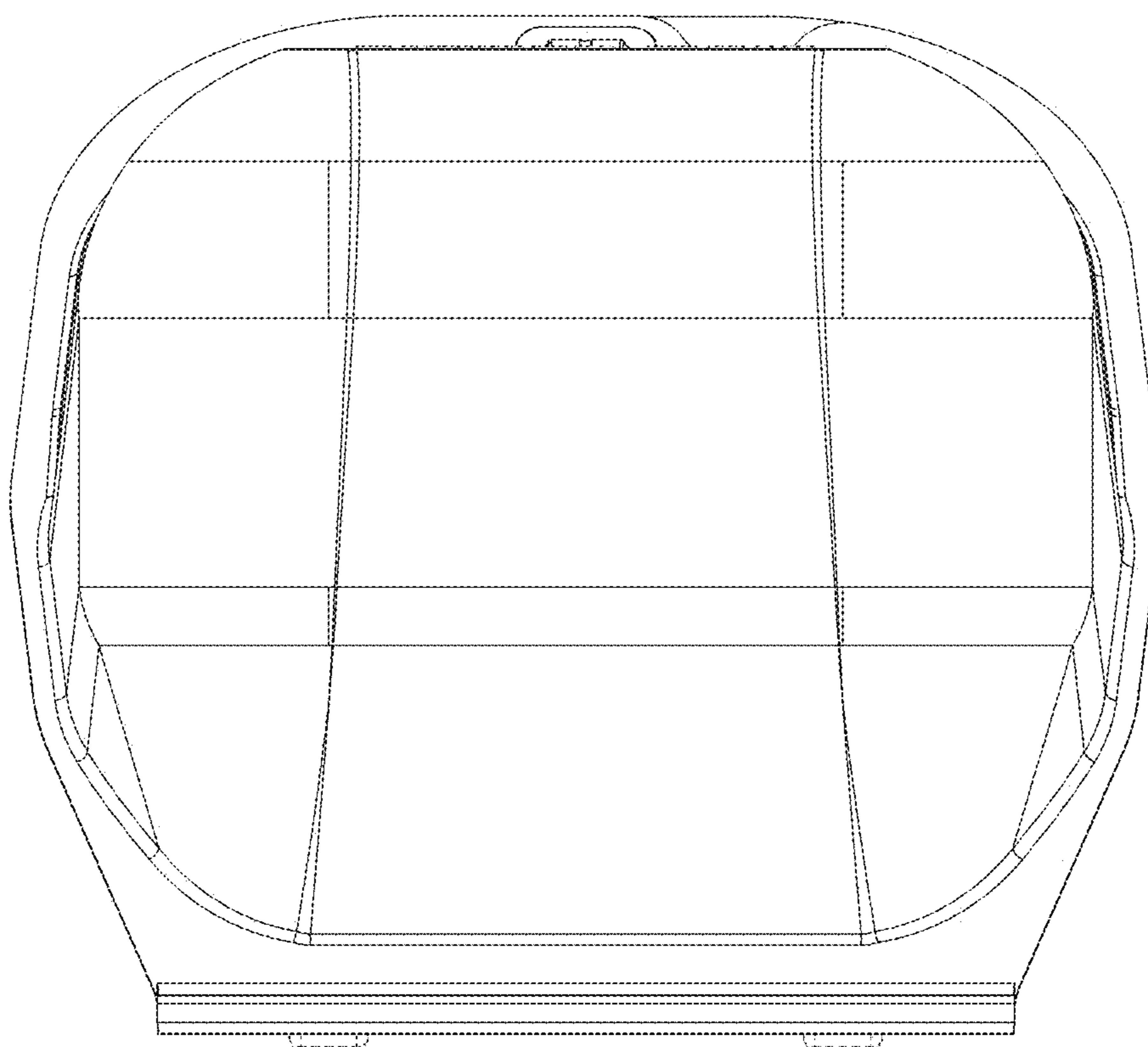


FIG. 2

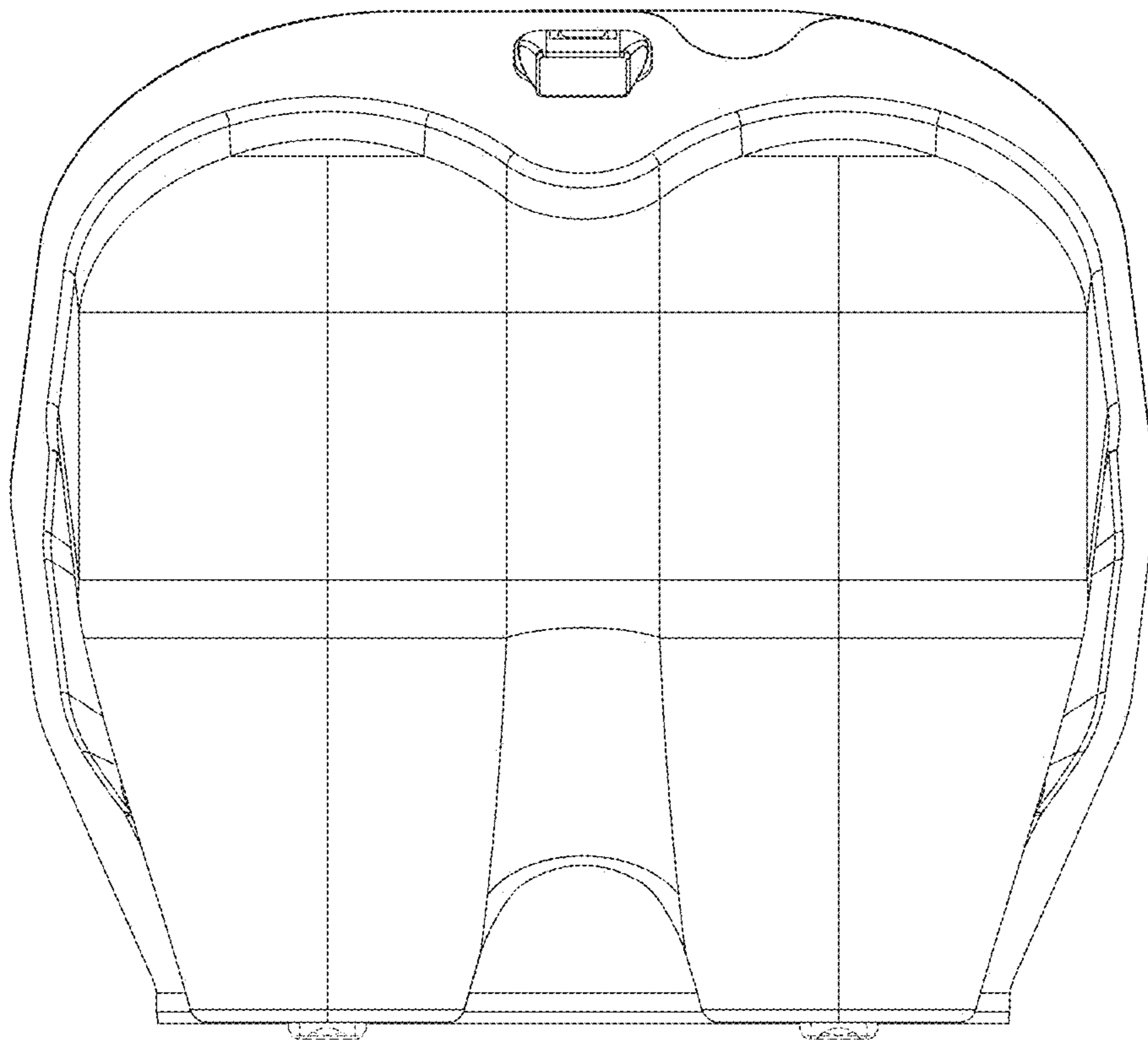


FIG. 3

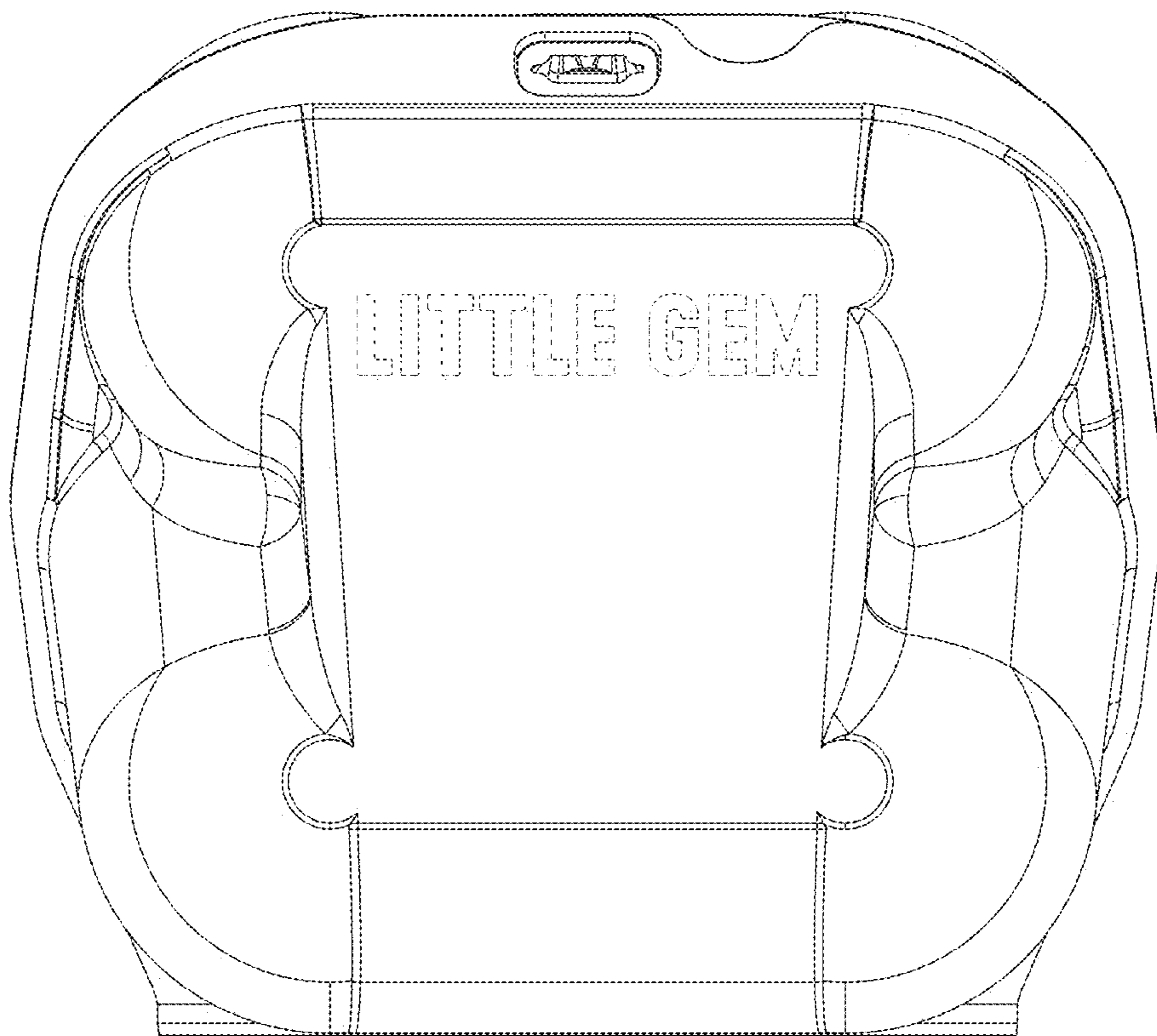


FIG. 4

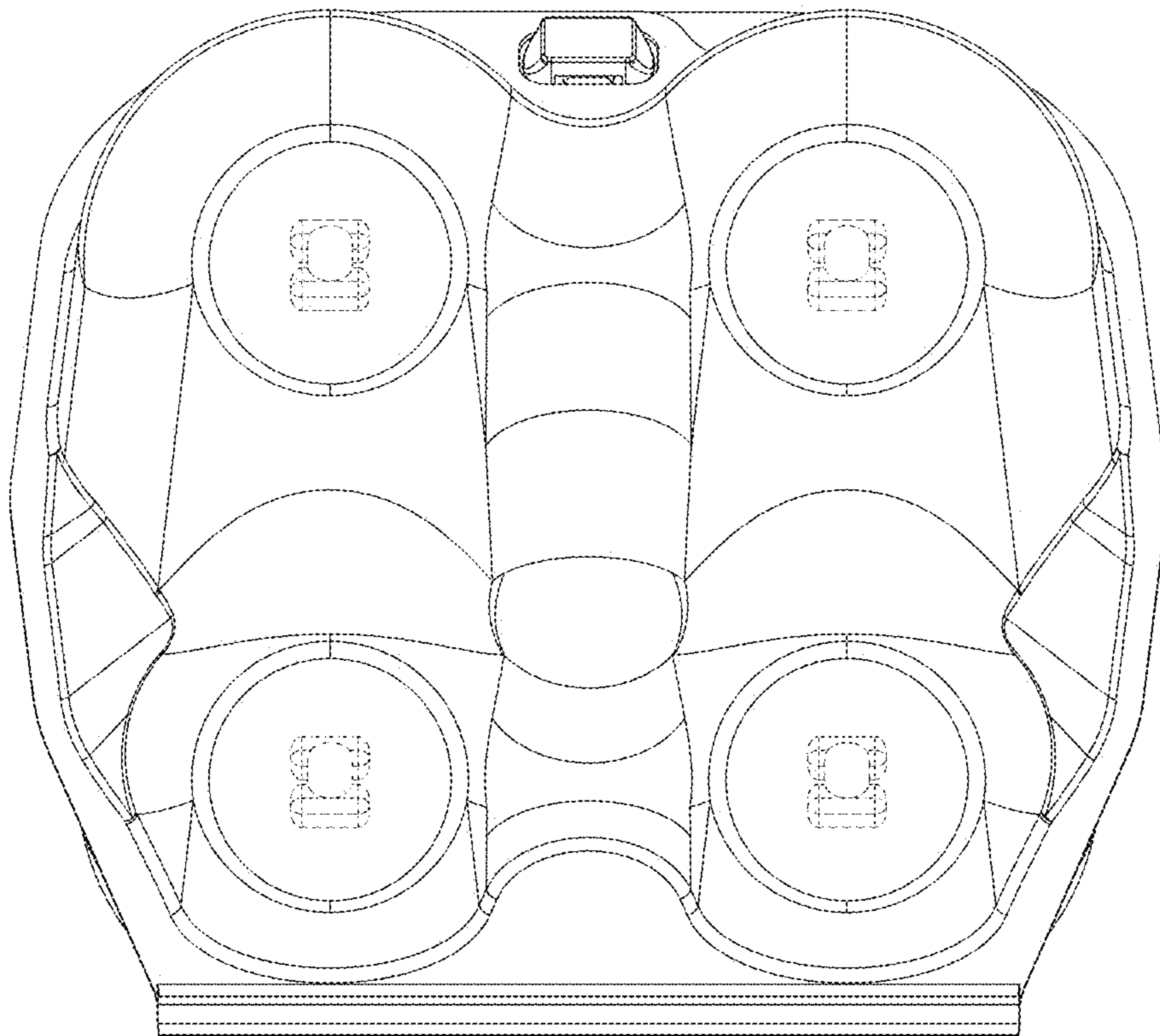


FIG. 5

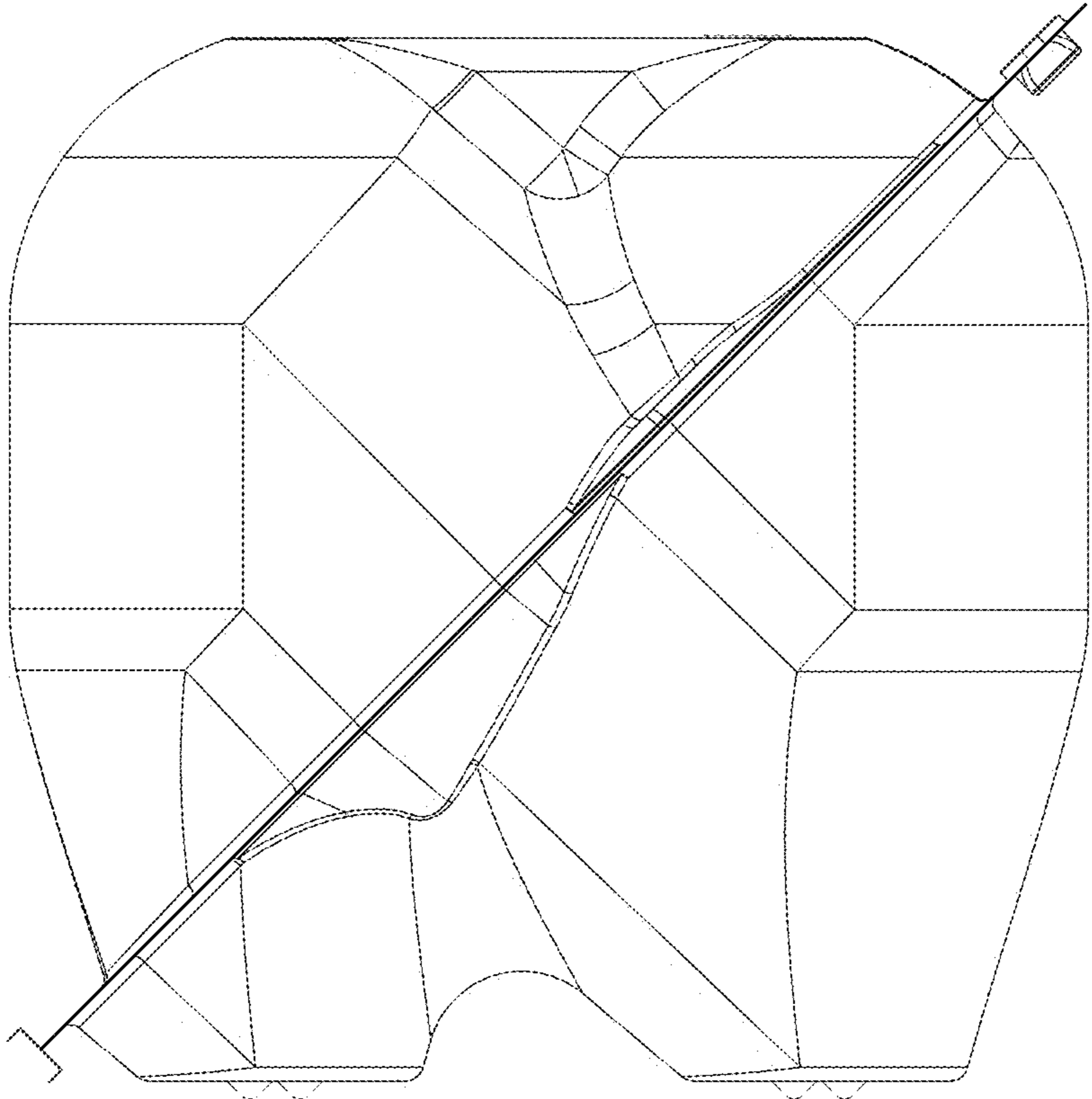


FIG. 6

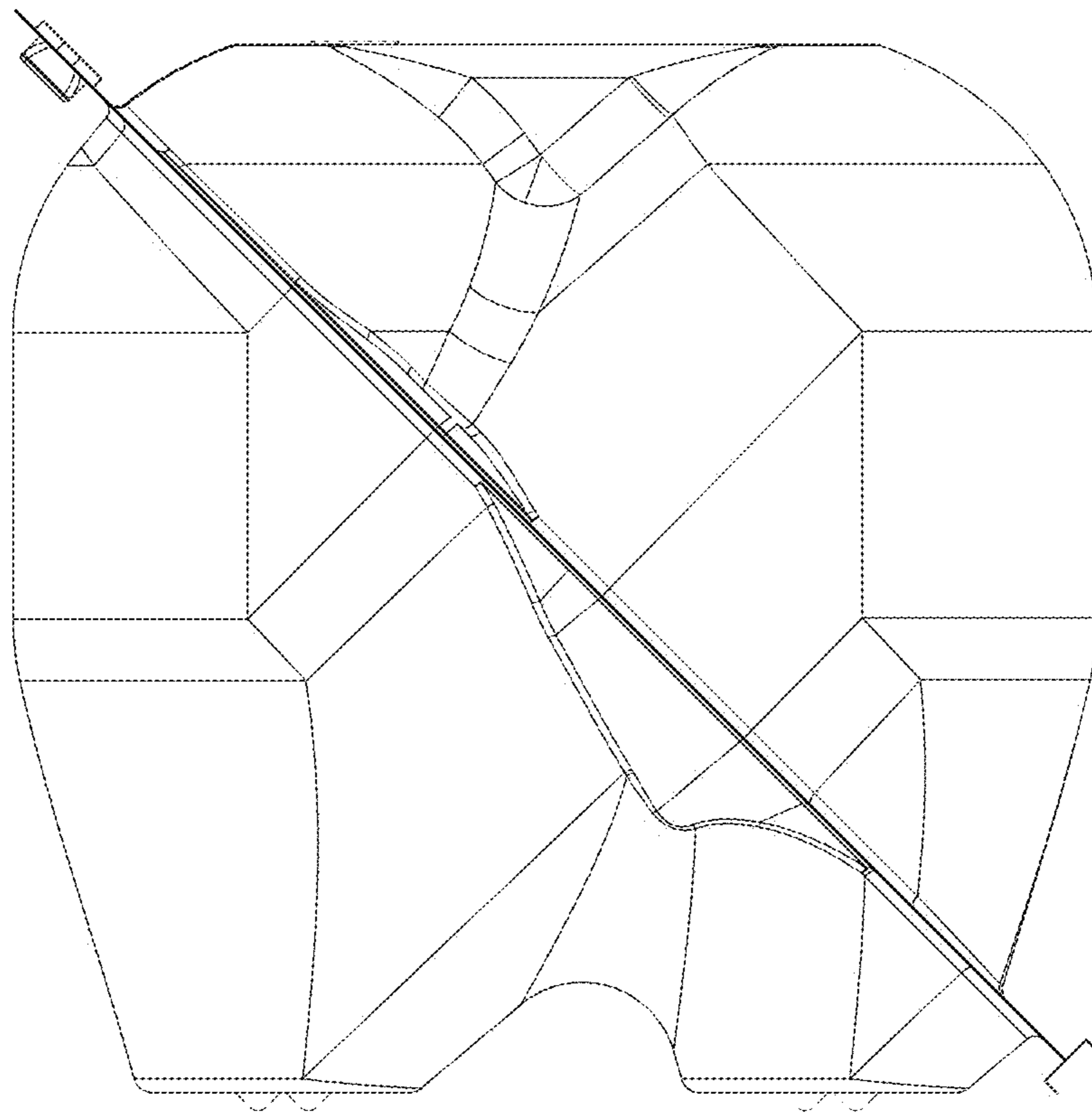


FIG. 7

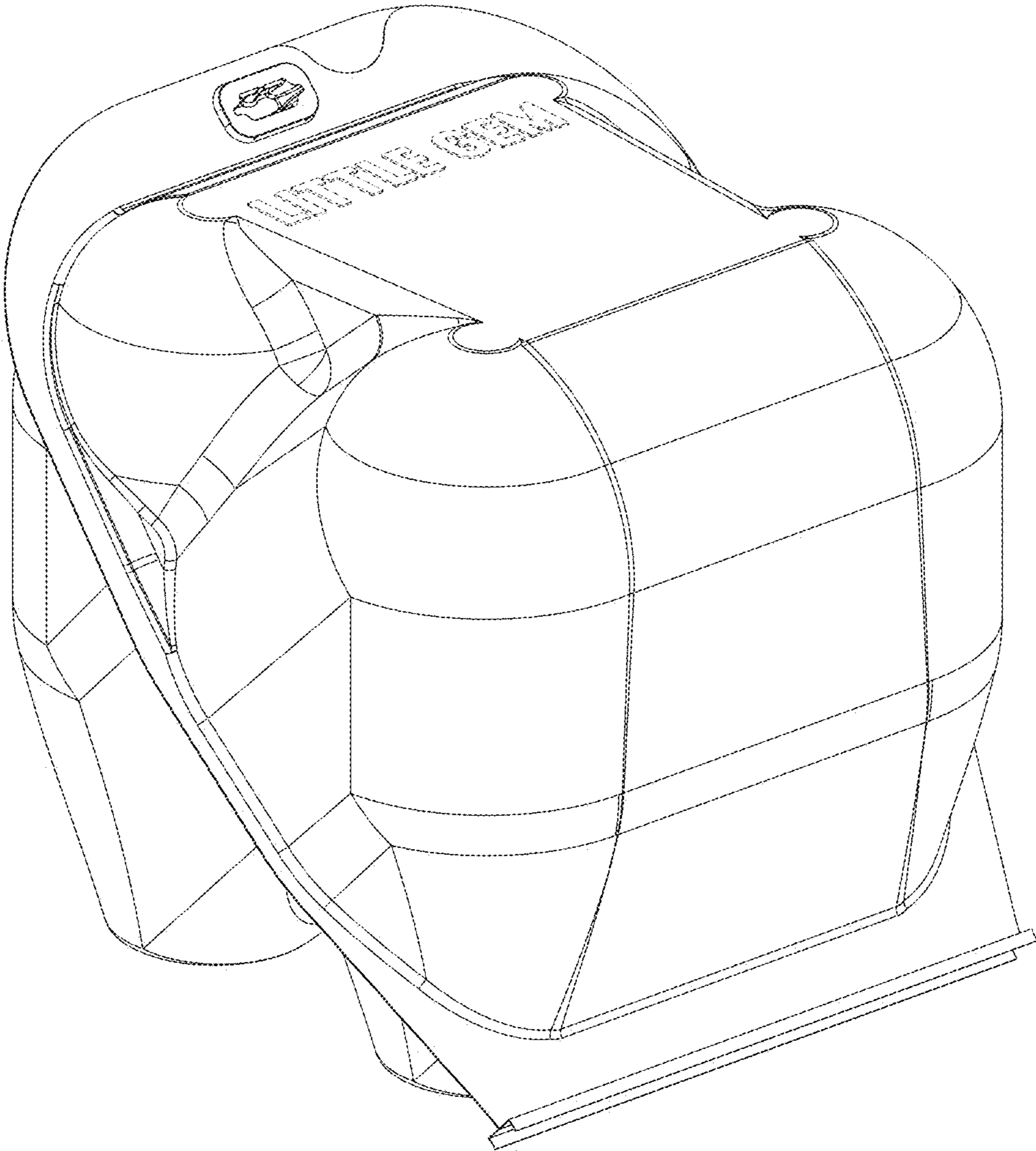


FIG. 8

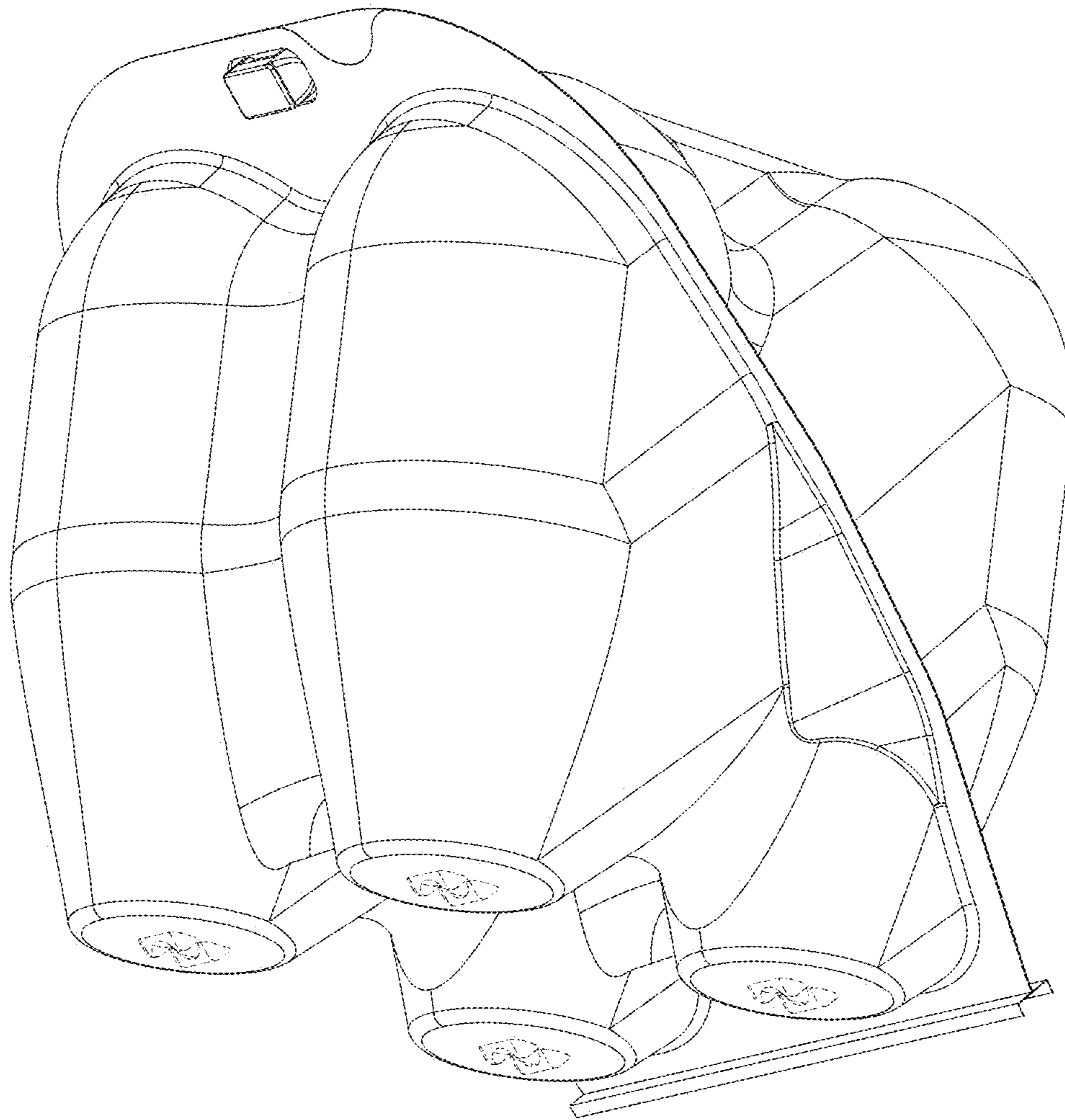


FIG. 9

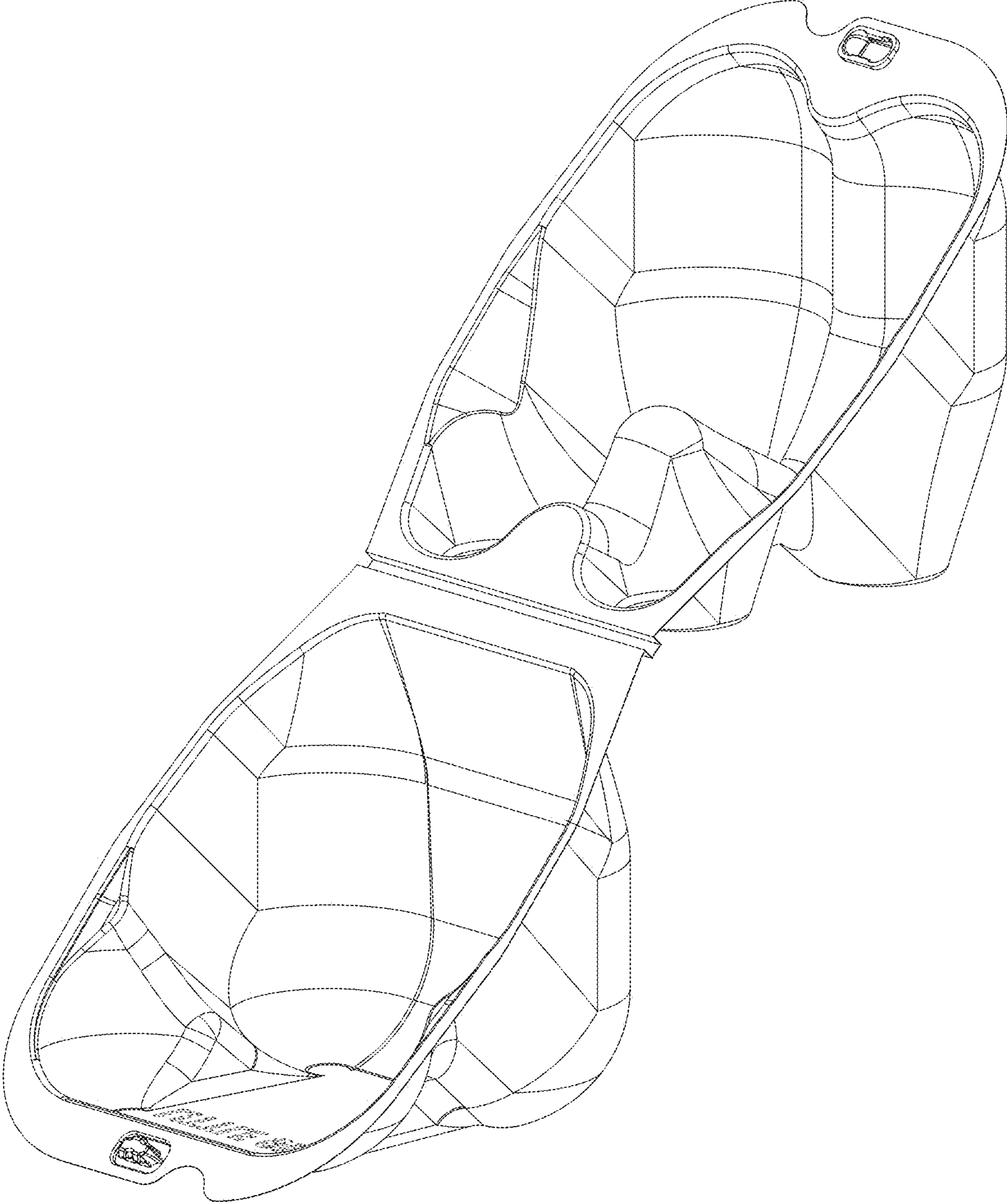


FIG. 10

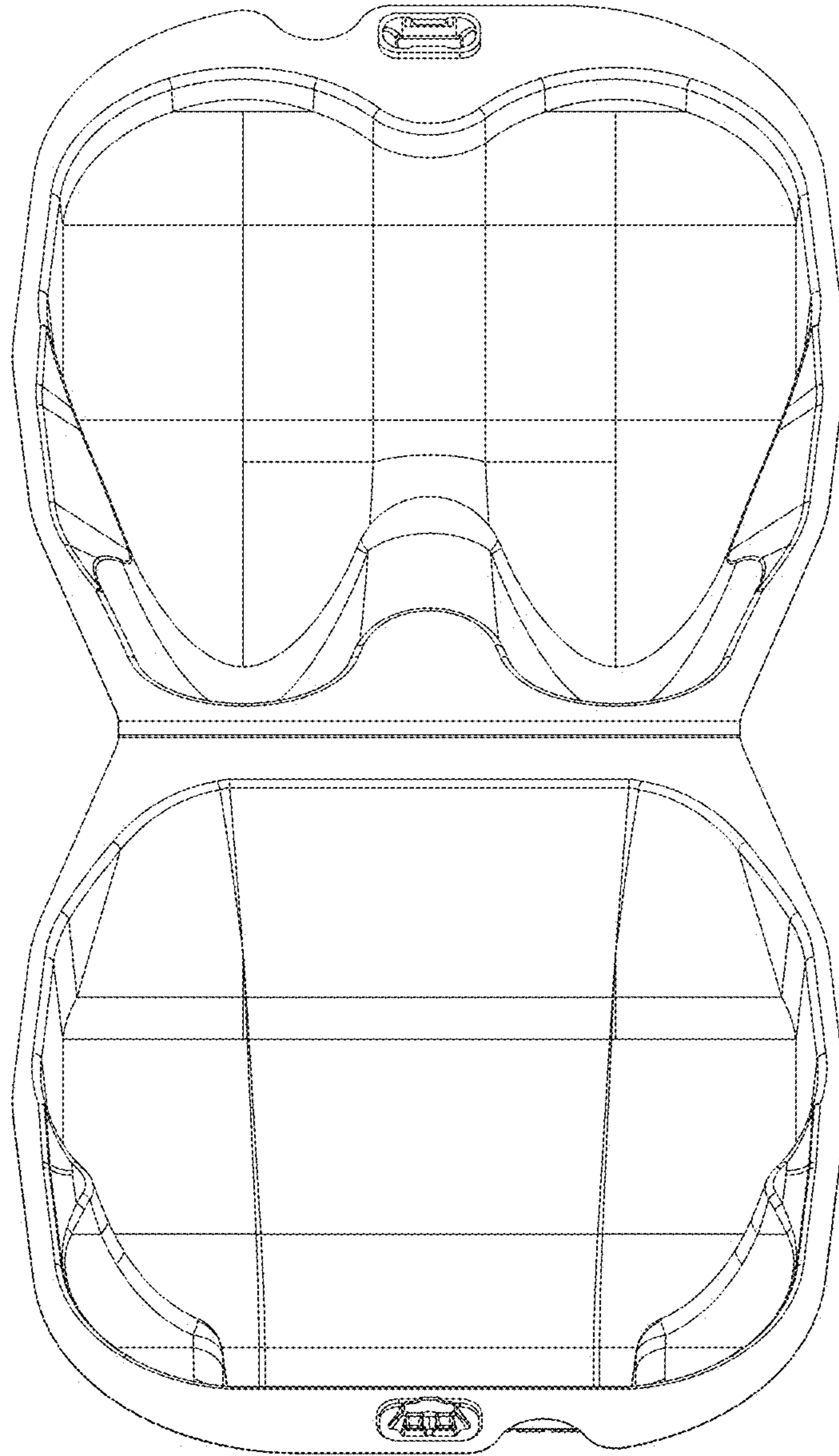


FIG. 11

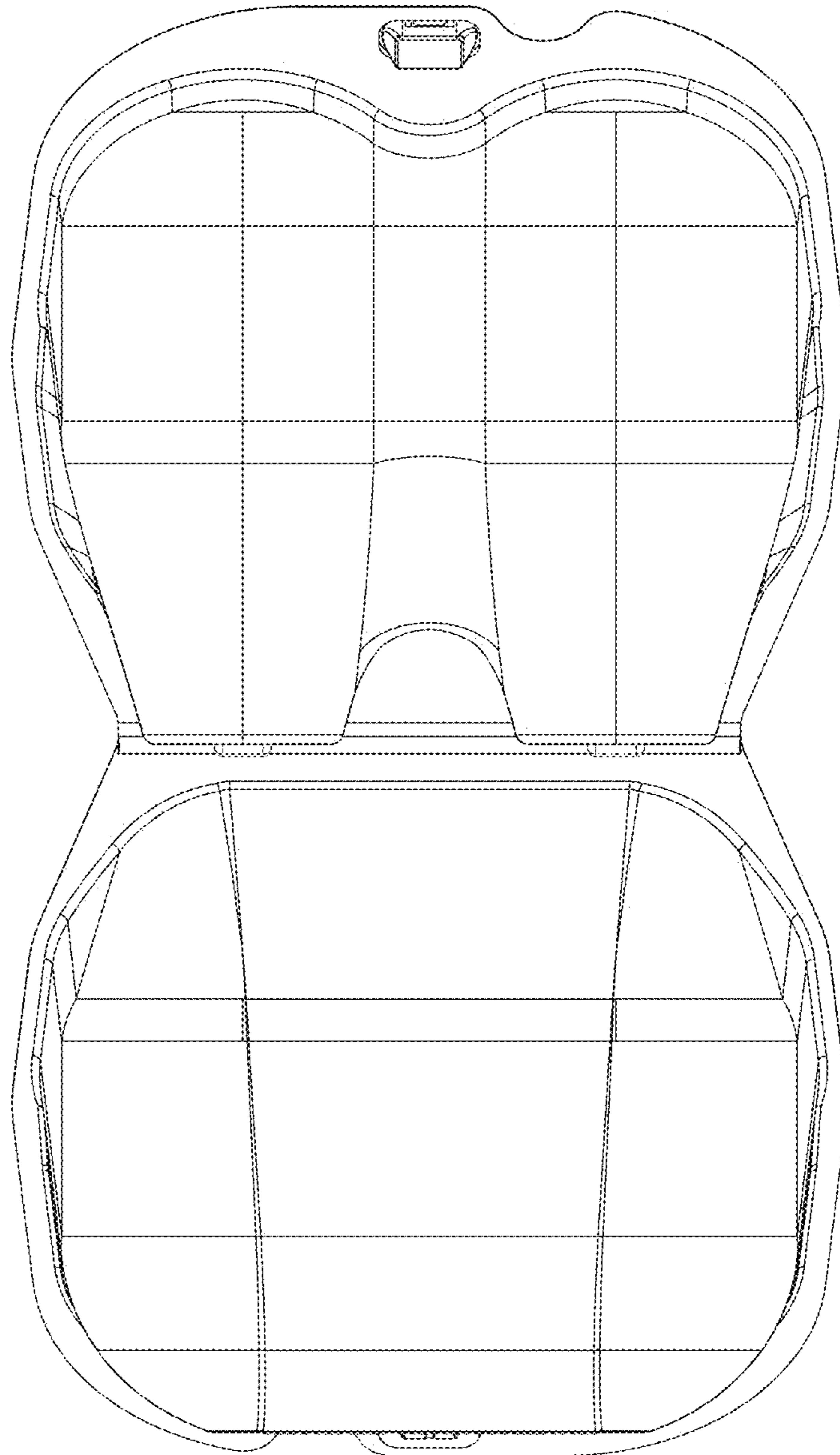


FIG. 12

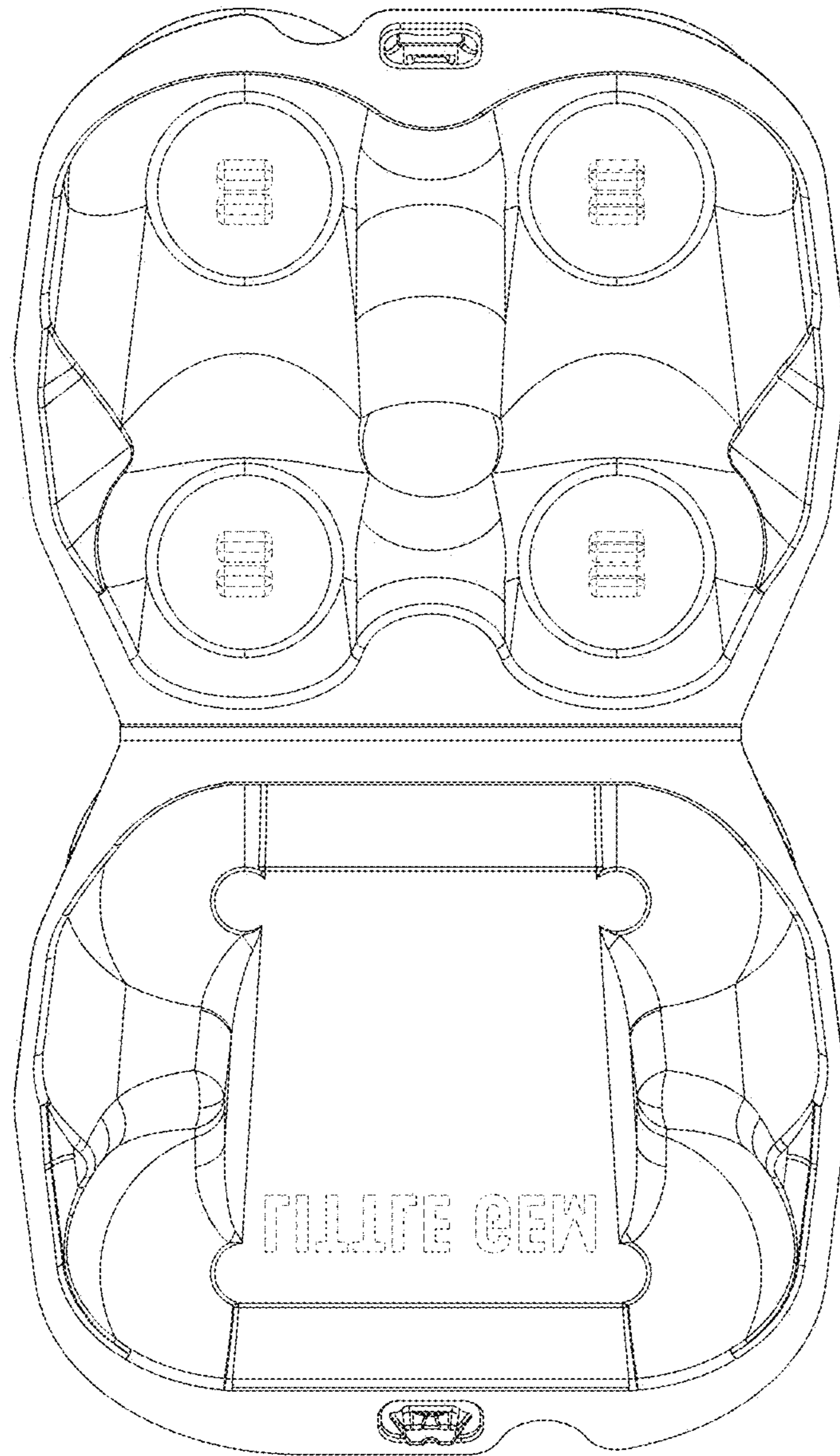


FIG. 13

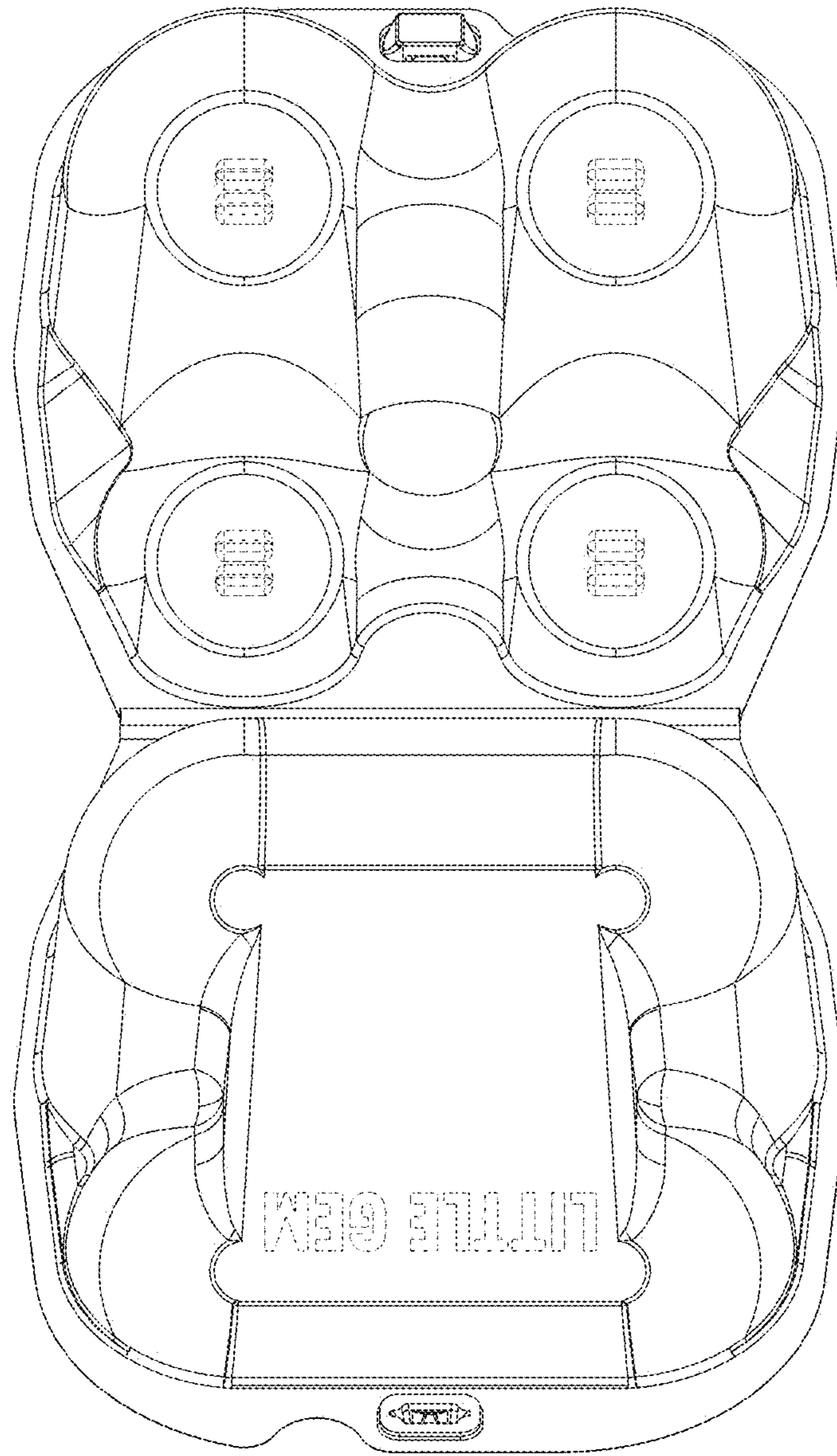


FIG. 14

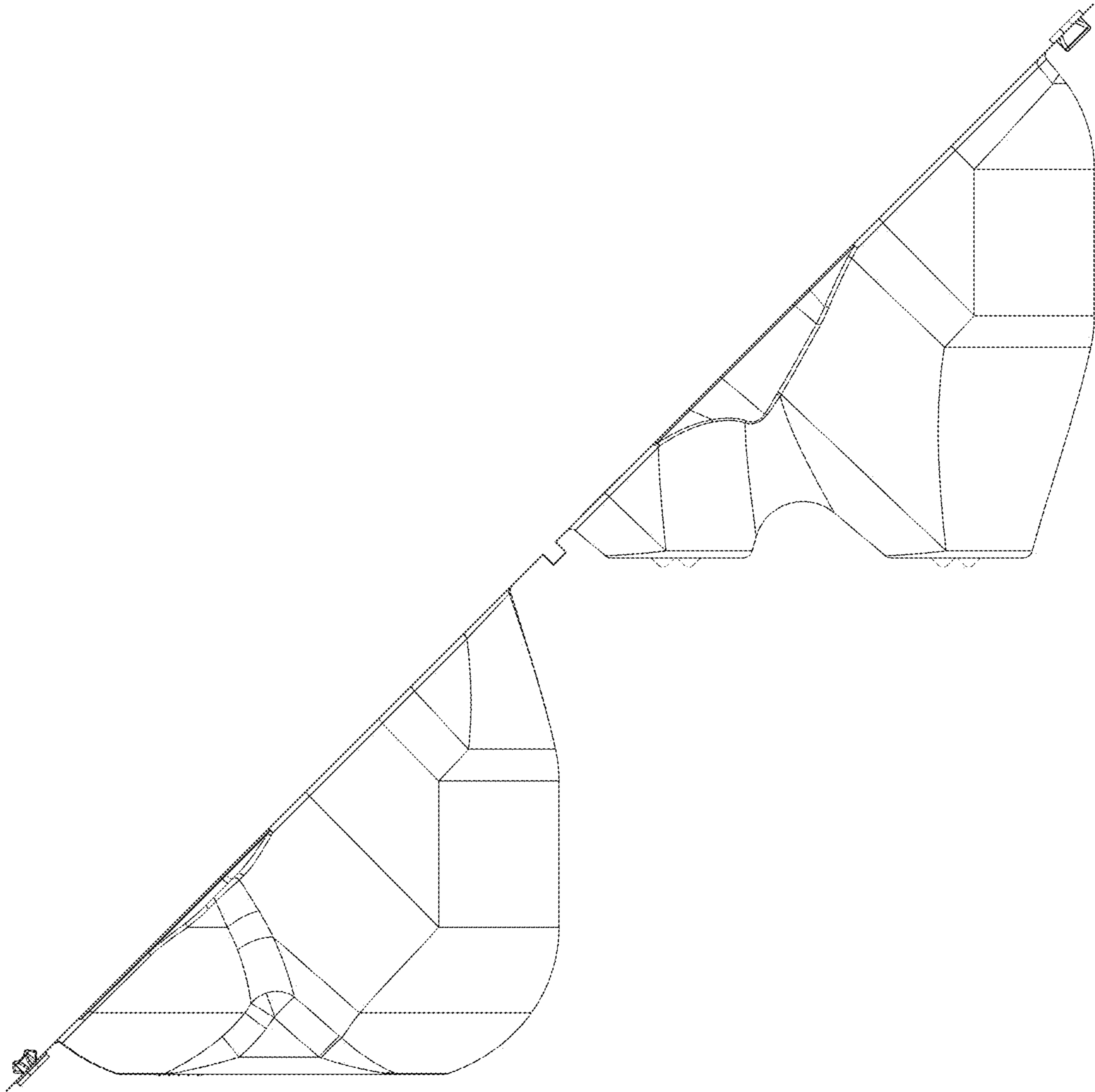


FIG. 15

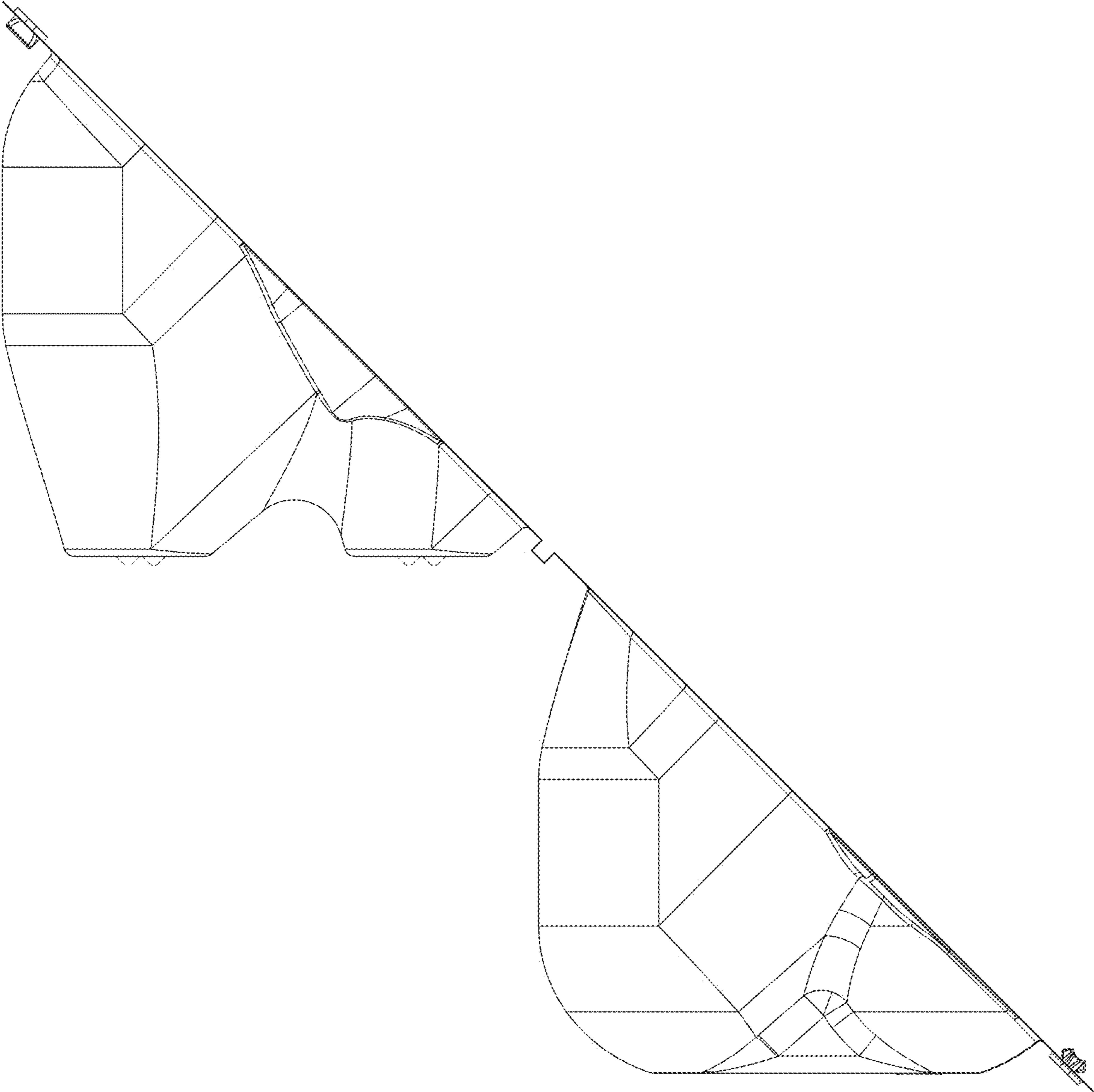


FIG. 16

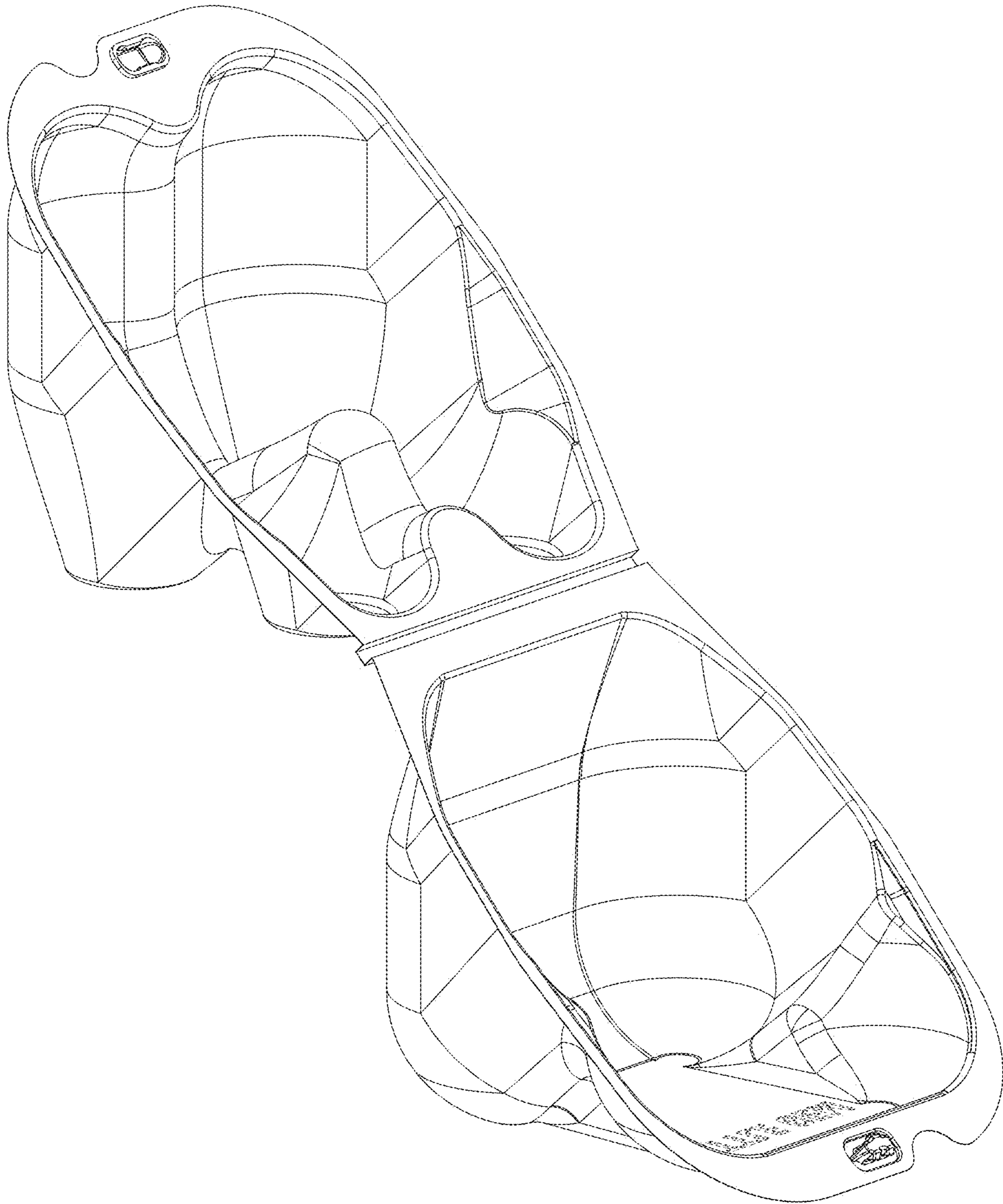


FIG. 17

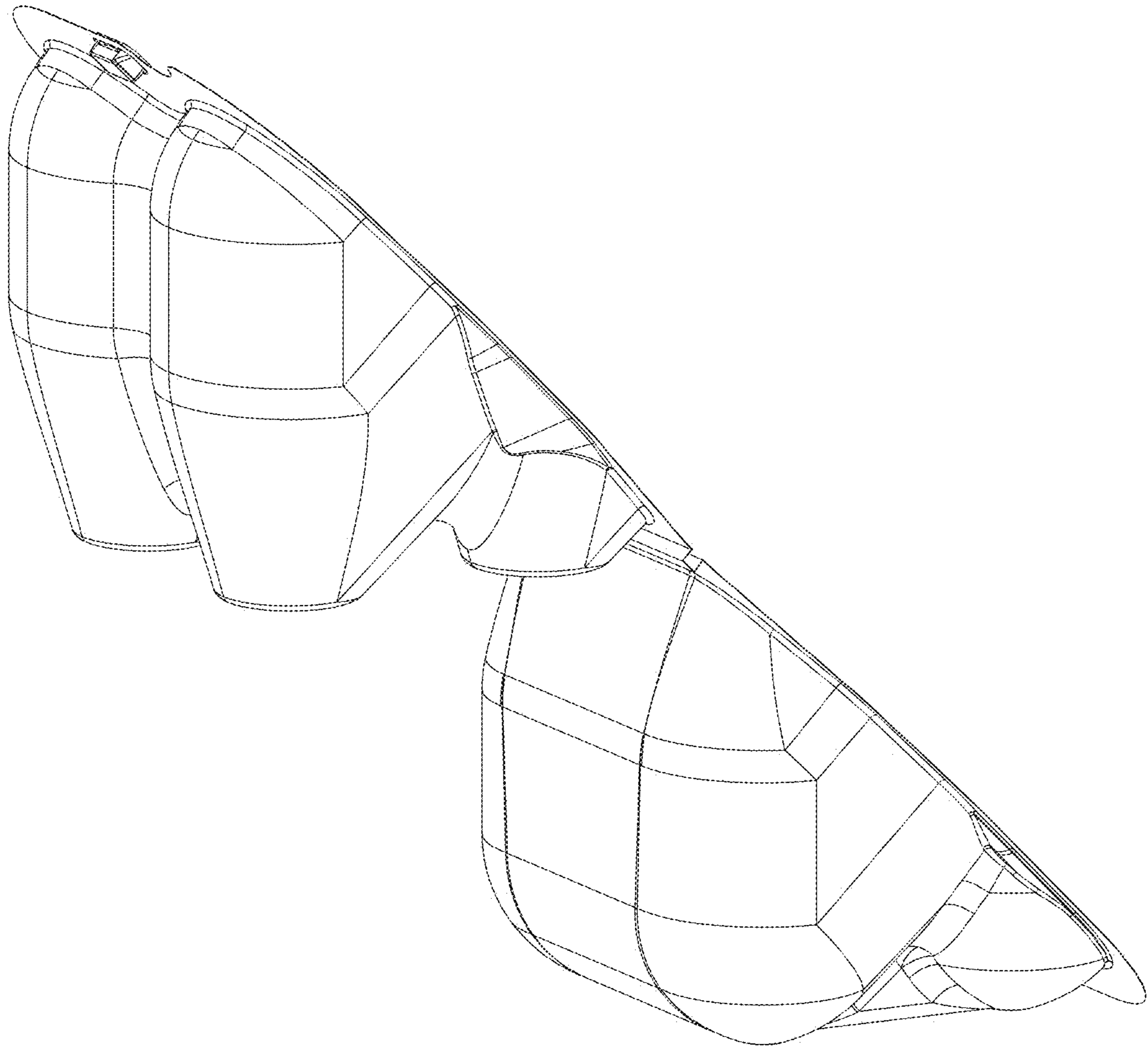


FIG. 18

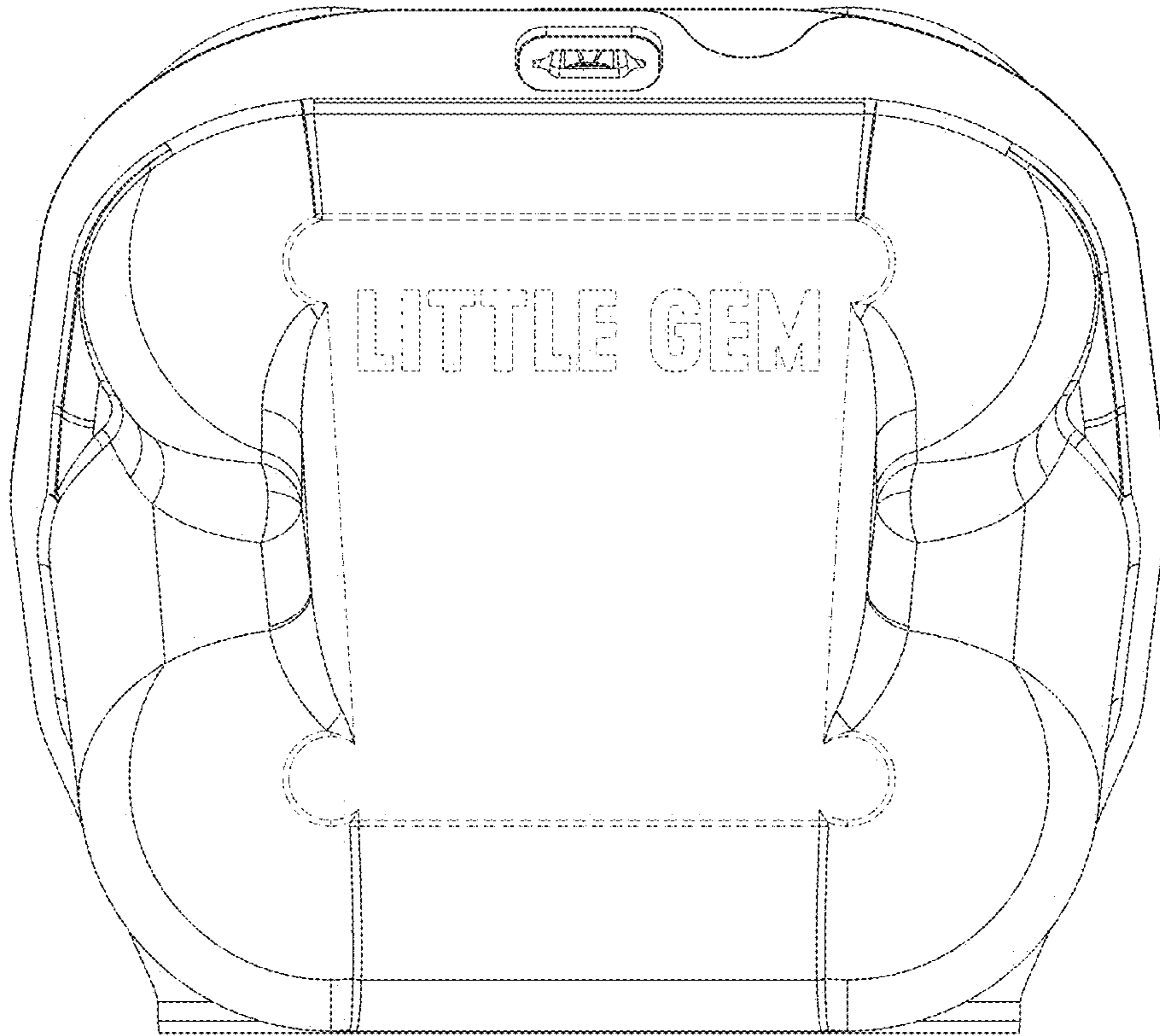


FIG. 19

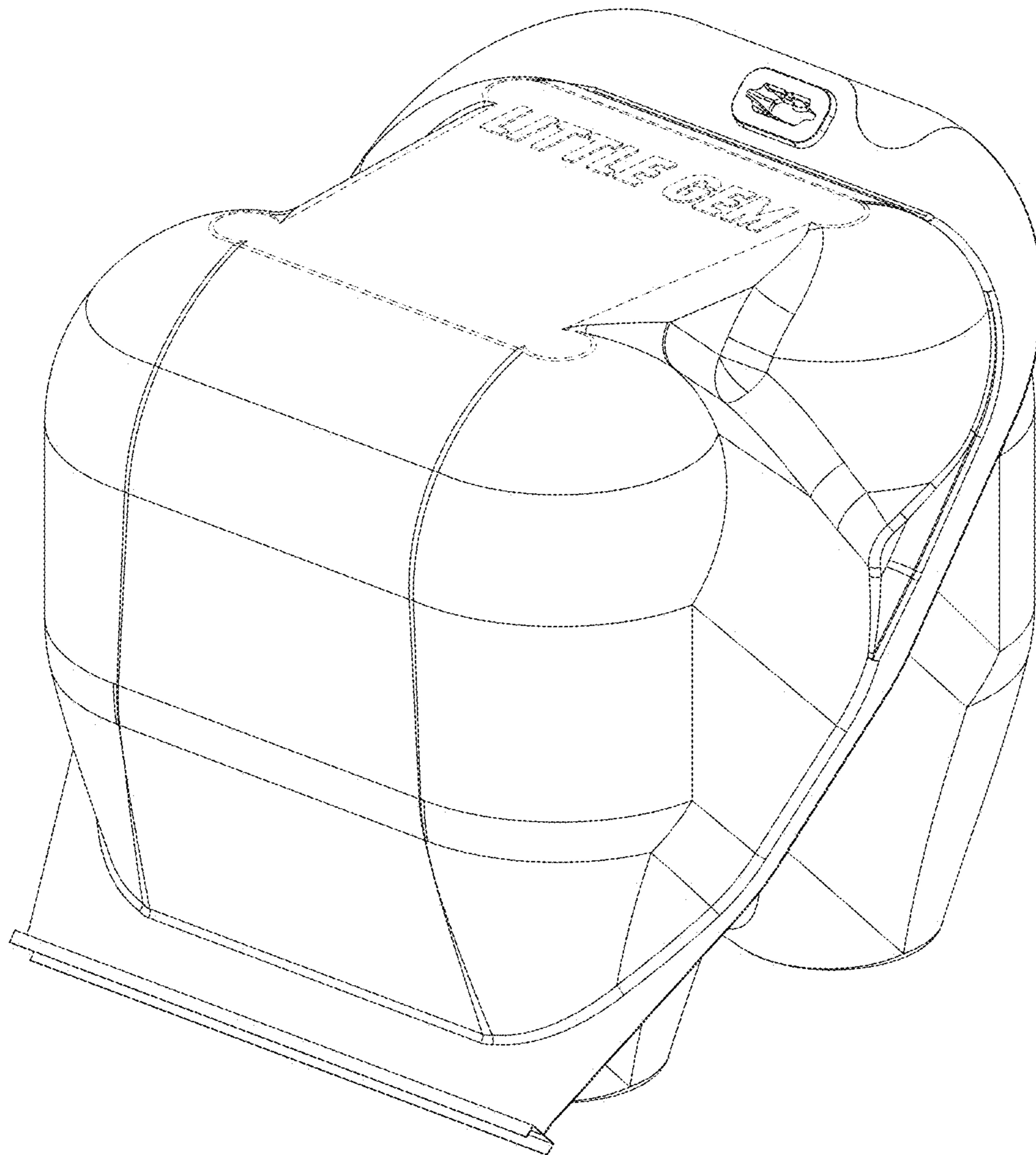


FIG. 20

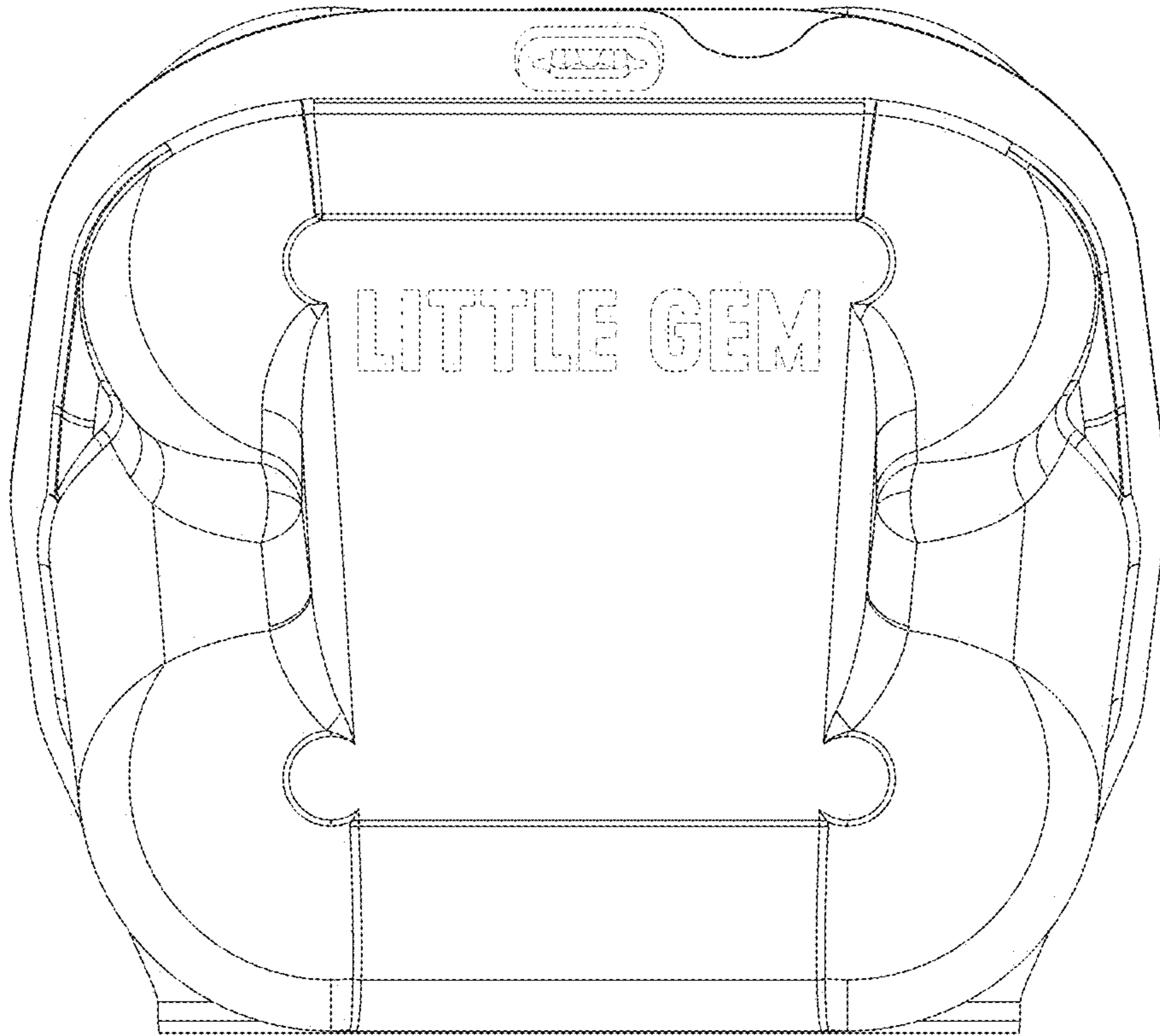


FIG. 21

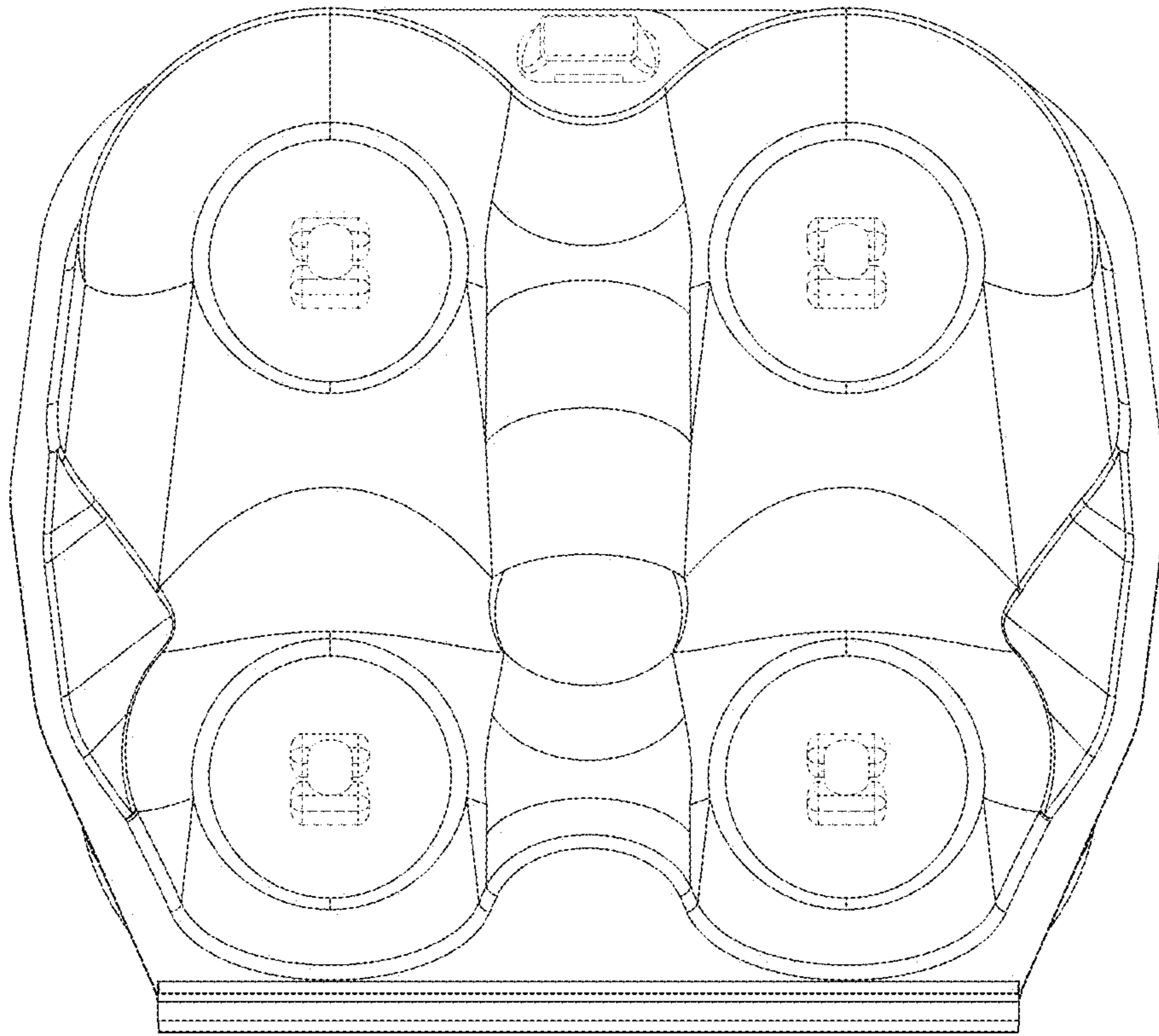


FIG. 22

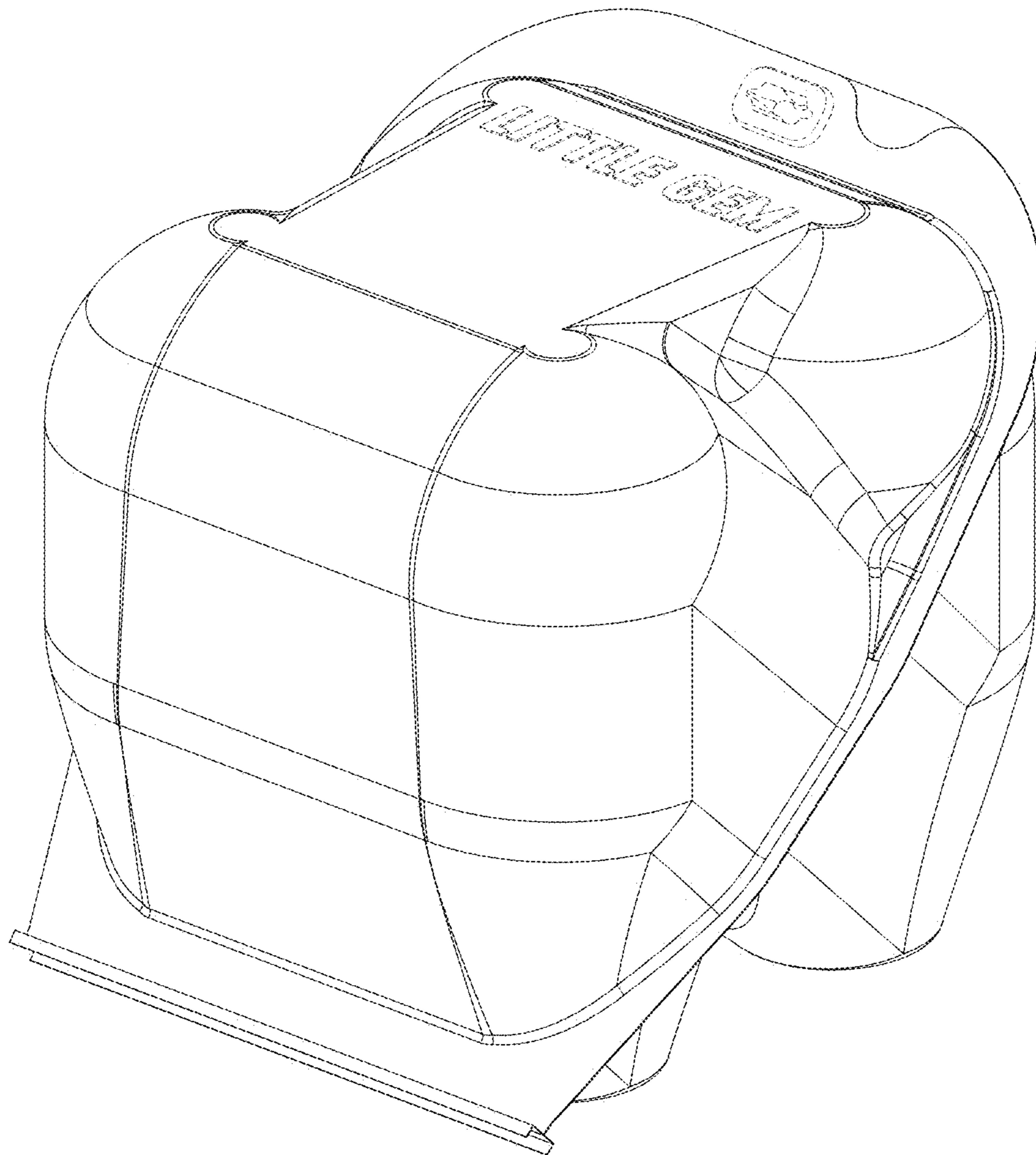


FIG. 23

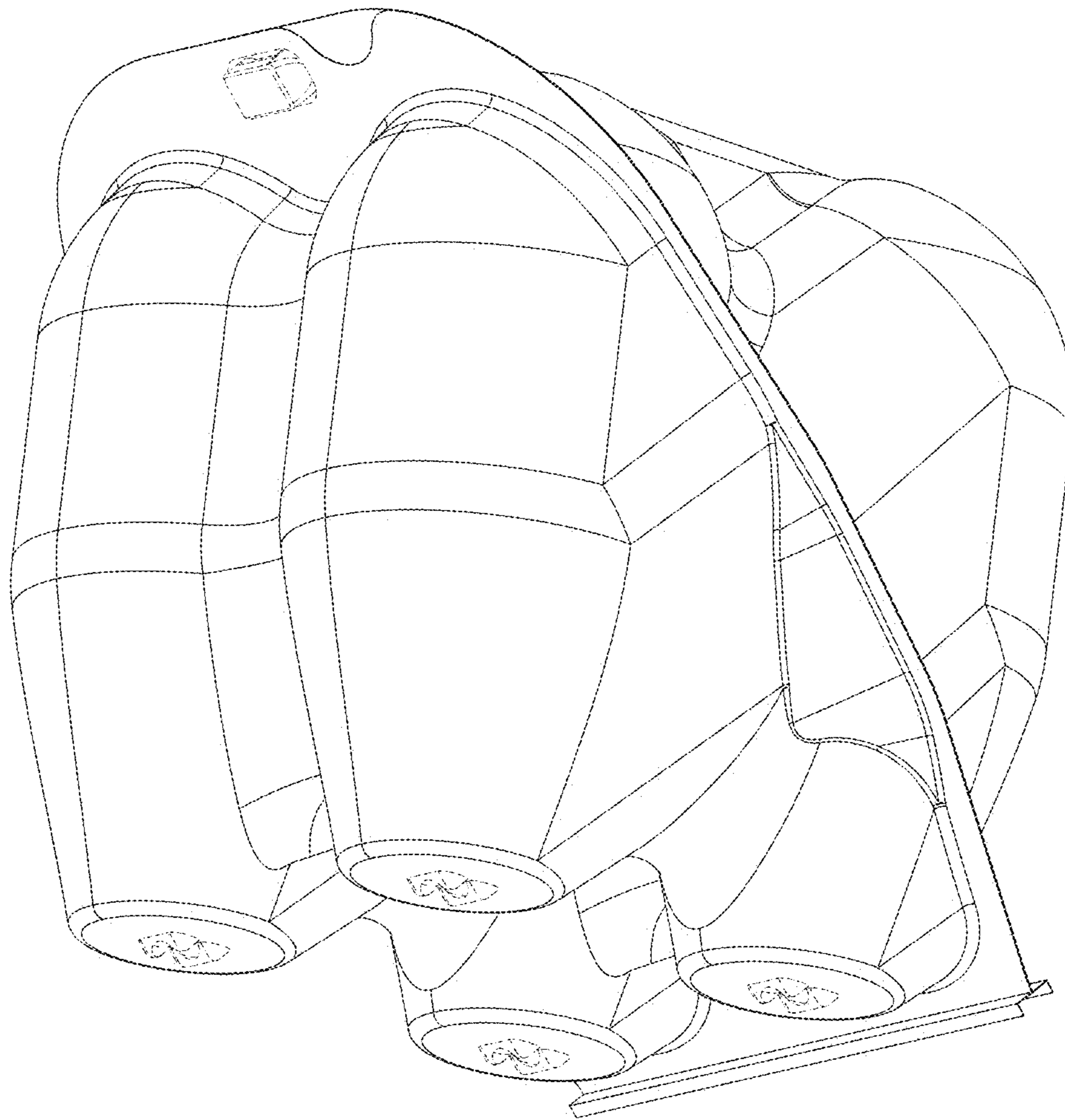


FIG. 24

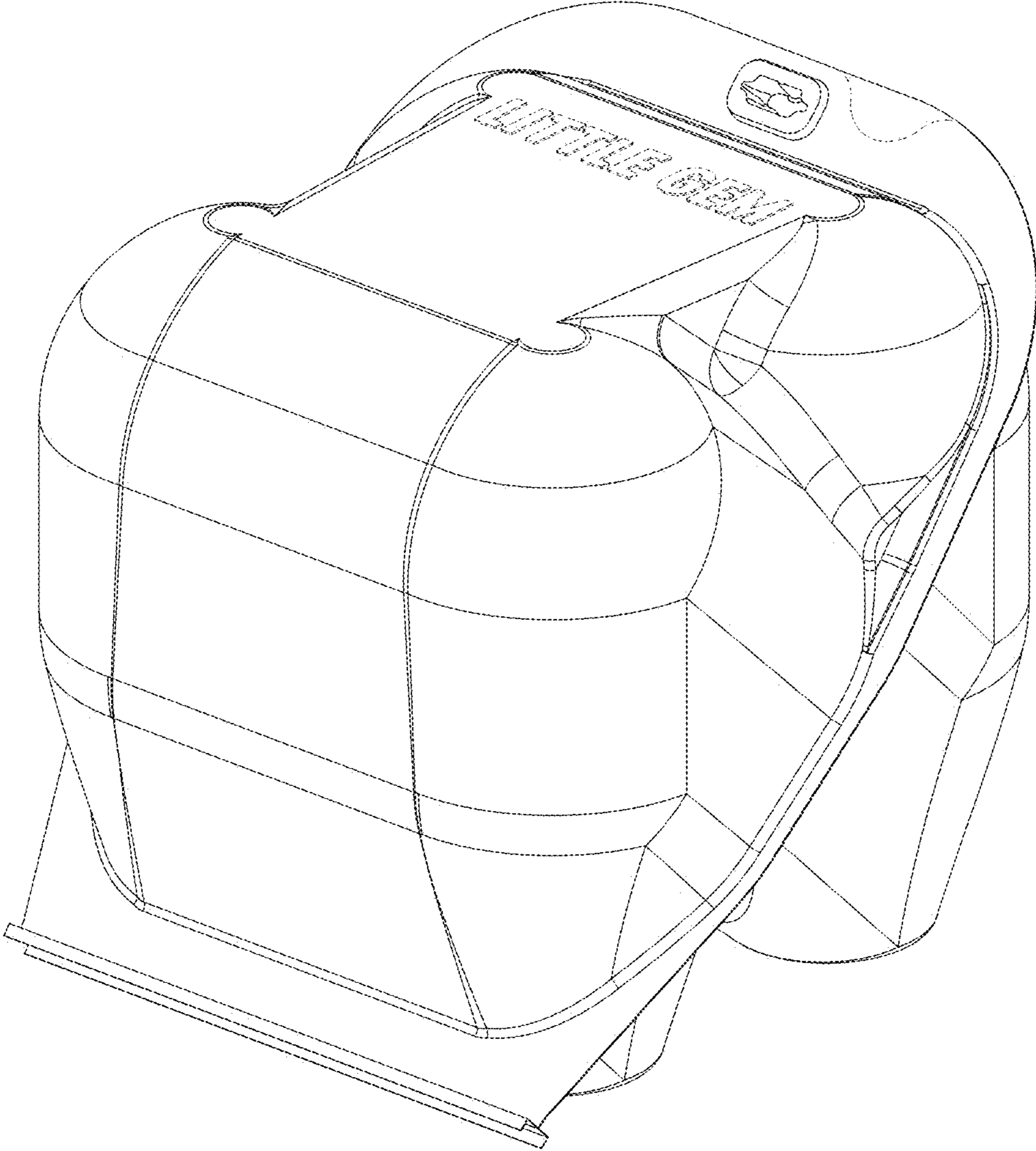


FIG. 25

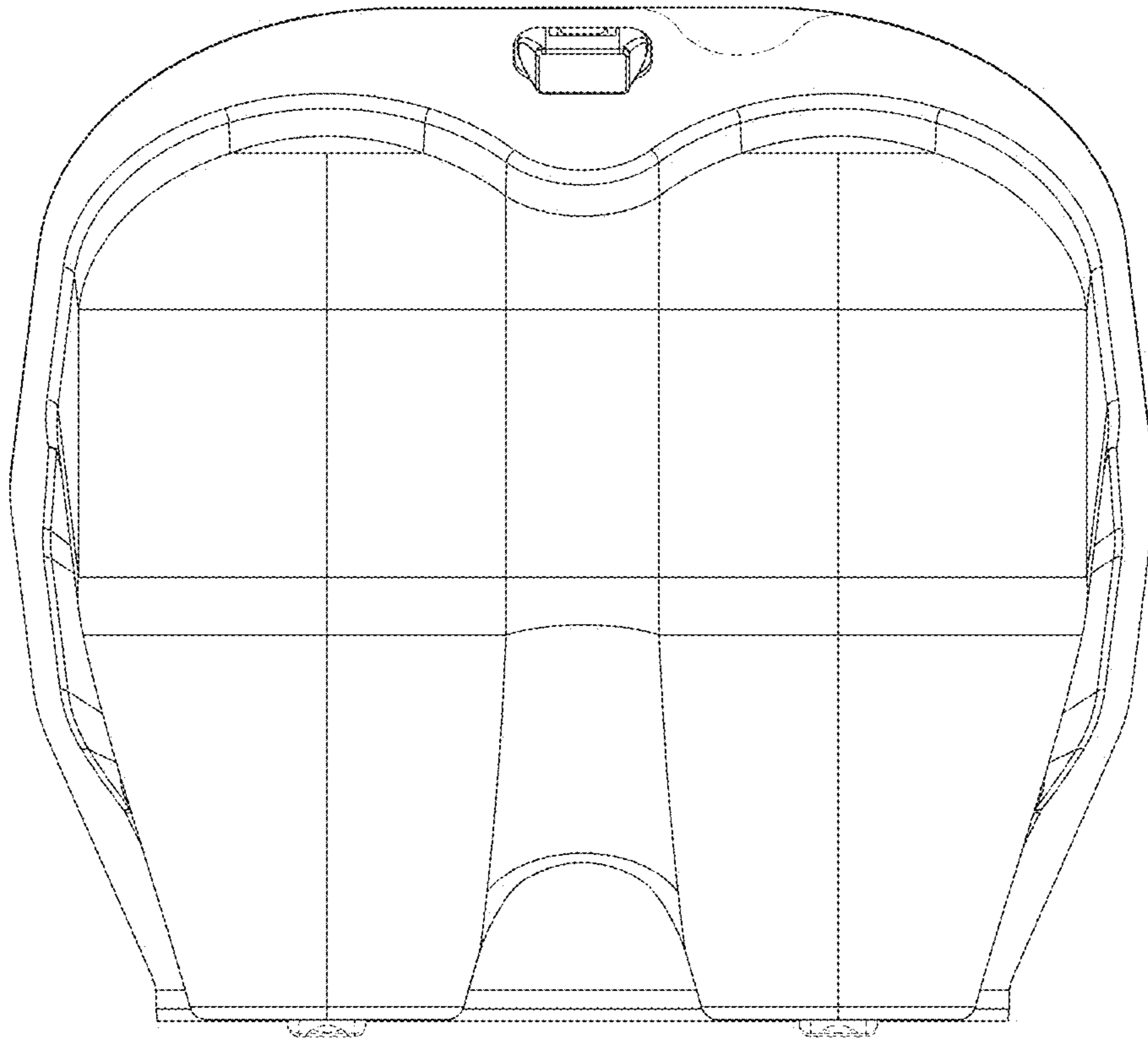


FIG. 26

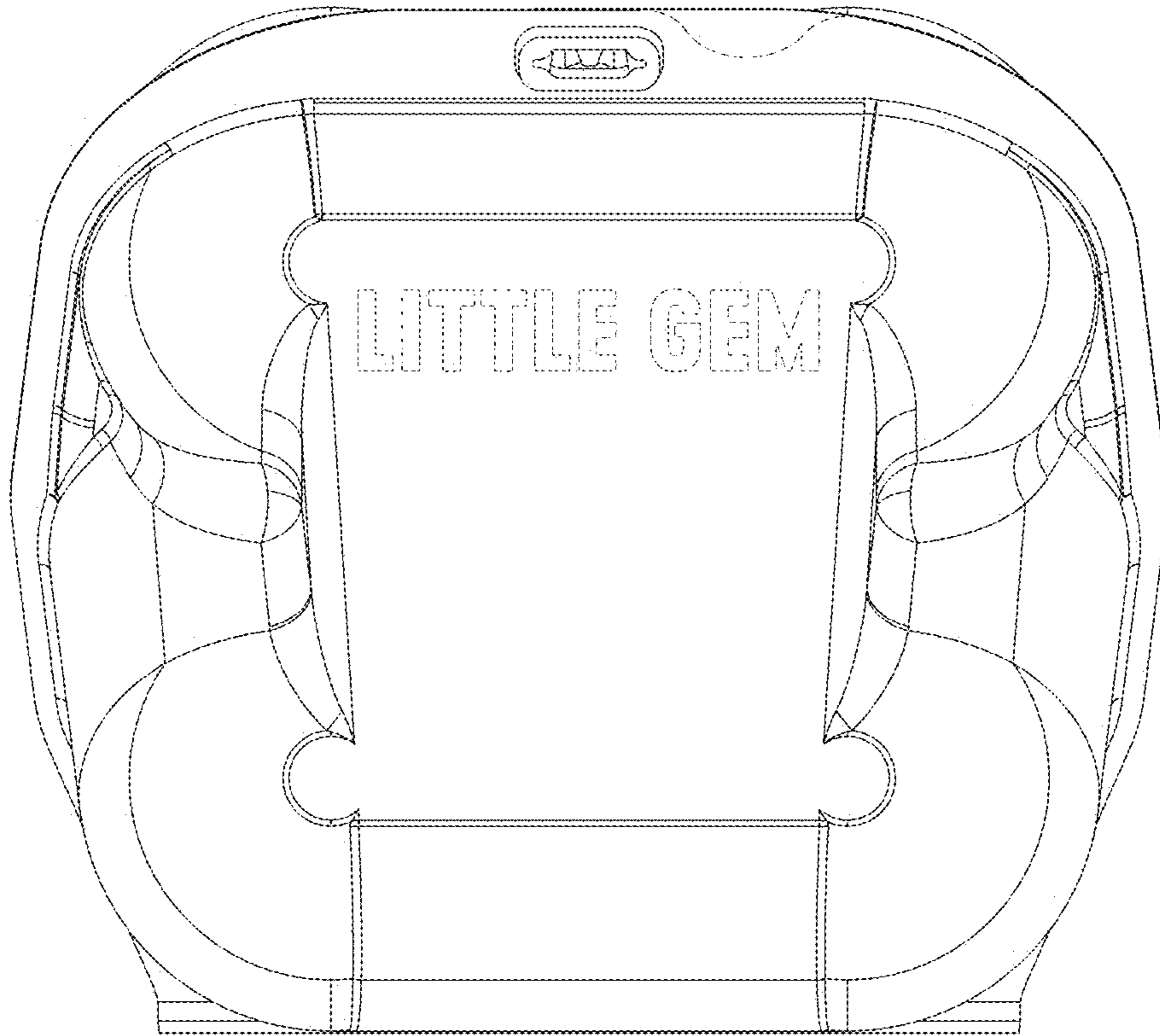


FIG. 27

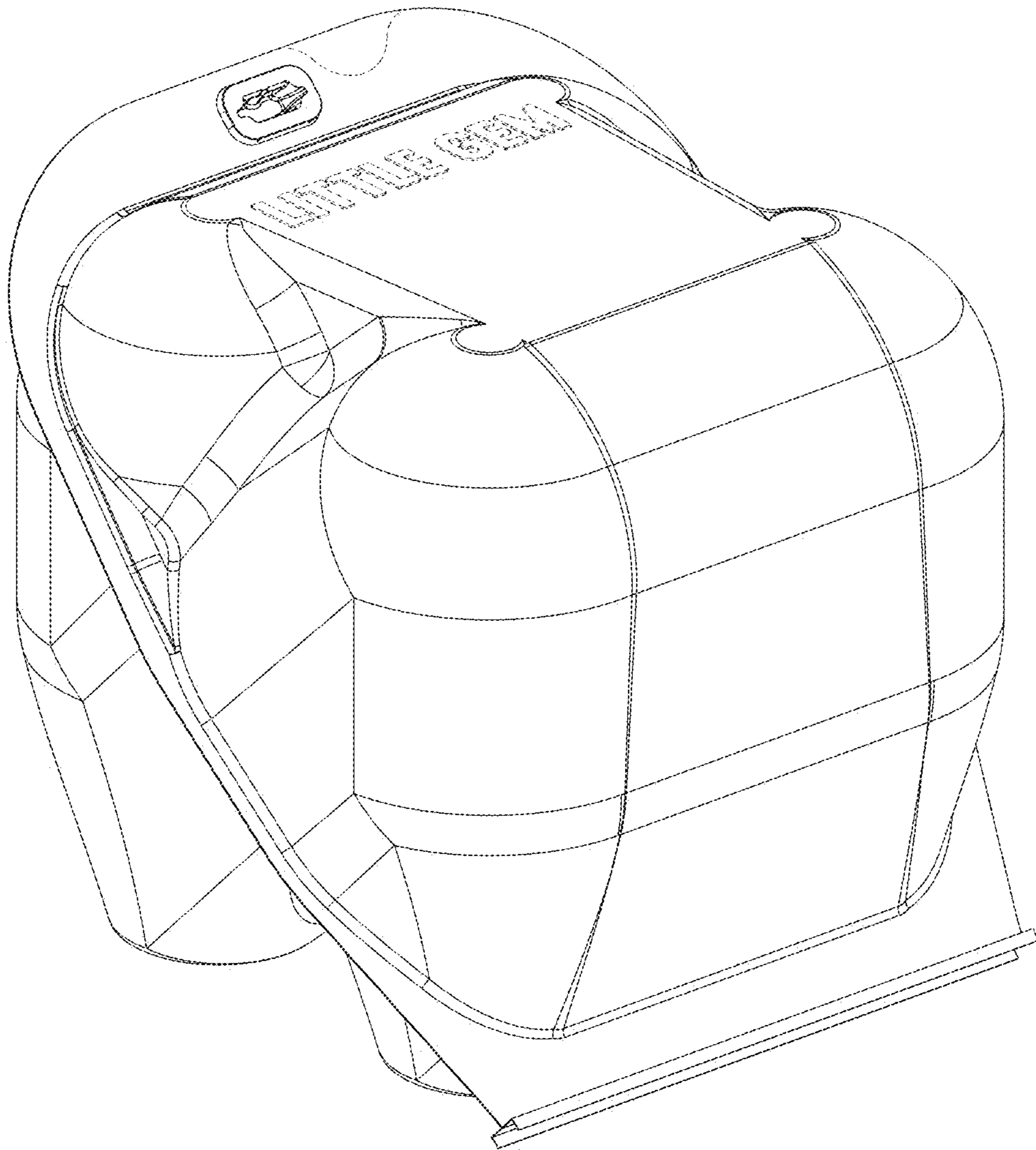


FIG. 28

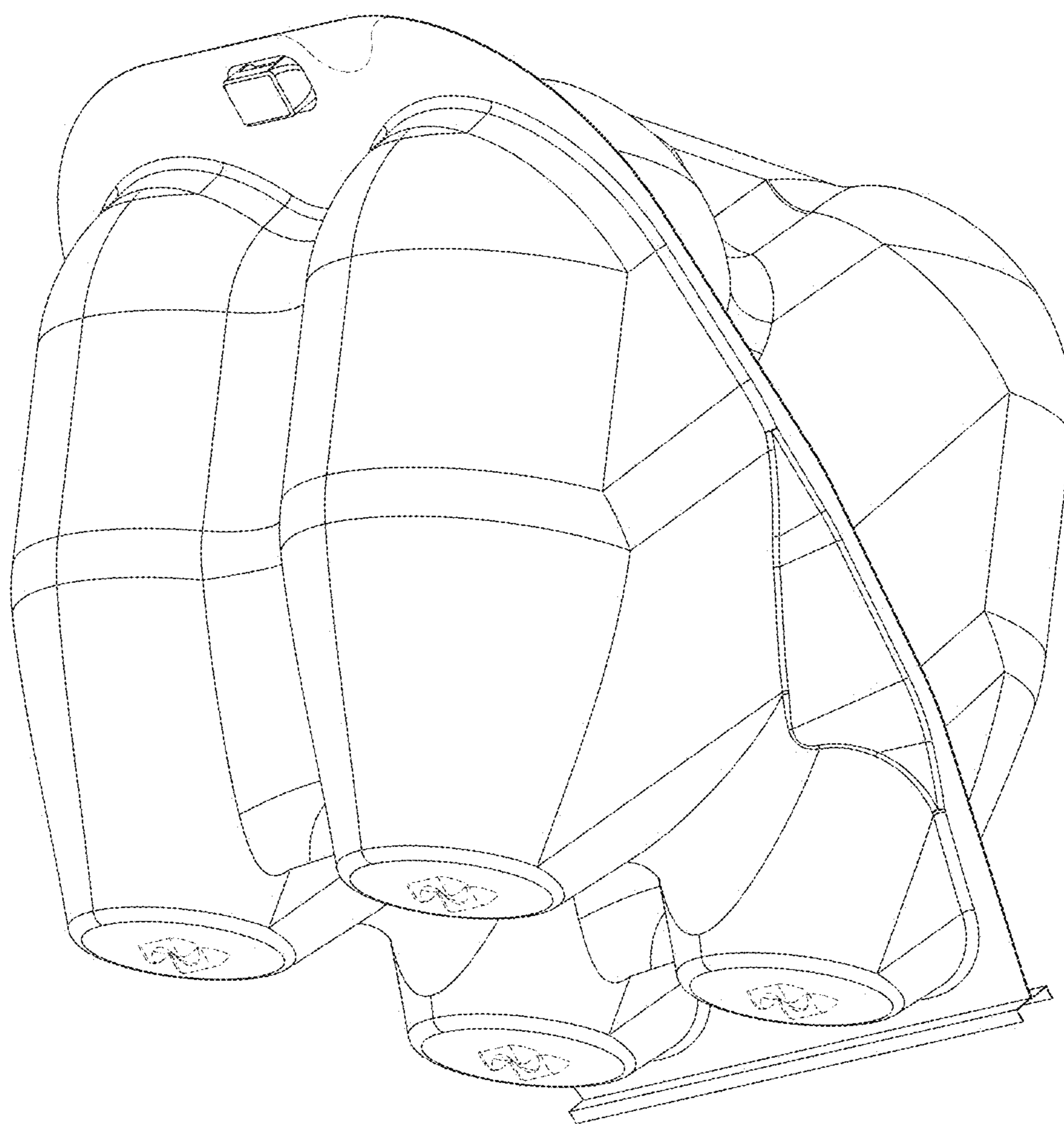


FIG. 29