



US00D974887S

(12) **United States Design Patent** (10) **Patent No.:** **US D974,887 S**
Liu (45) **Date of Patent:** **** Jan. 10, 2023**

(54) **HOOK**
(71) Applicant: **Yuncong Liu, Dengzhou (CN)**
(72) Inventor: **Yuncong Liu, Dengzhou (CN)**
(**) Term: **15 Years**
(21) Appl. No.: **29/857,806**
(22) Filed: **Oct. 26, 2022**
(51) **LOC (14) Cl.** **08-11**
(52) **U.S. Cl.**
USPC **D8/367**
(58) **Field of Classification Search**
USPC D8/367, 354, 349, 373; D6/323;
248/301-304, 339
CPC .. A47G 1/00; A47G 25/00; A47G 1/17; F16B
47/003
See application file for complete search history.

D356,941 S * 4/1995 Reddick D8/367
D374,602 S * 10/1996 Protz, Jr. D8/367
D658,029 S * 4/2012 Fulkerson D8/301
D670,997 S * 11/2012 Thompson D8/367
D761,093 S * 7/2016 Liu D8/367
D811,201 S * 2/2018 Berger D8/367
D811,862 S * 3/2018 Berger D8/367
D812,454 S * 3/2018 Berger D8/367
D818,353 S * 5/2018 Sacks D8/367
D821,184 S * 6/2018 Berger D8/367
D842,083 S * 3/2019 Thompson D8/367
D864,697 S * 10/2019 Gnocchini D8/367
D864,700 S * 10/2019 Chen D8/367
D867,771 S * 11/2019 Zhong D6/323
D879,596 S * 3/2020 Li D8/367
10,842,304 B2 * 11/2020 Ye A47G 25/0607
D918,698 S * 5/2021 Man D8/367
D935,312 S * 11/2021 Zhou D8/367
D939,330 S * 12/2021 Zhou D8/367
D966,871 S 10/2022 Wang

* cited by examiner

Primary Examiner — Cynthia R Underwood

(56) **References Cited**
U.S. PATENT DOCUMENTS

2,679,998 A * 6/1954 Keller F16B 47/003
D8/367
2,765,998 A * 10/1956 Engert A47G 1/17
248/467
D212,553 S * 10/1968 Hekman D8/367
3,637,181 A * 1/1972 Janssen A47G 1/17
156/320
4,003,538 A * 1/1977 Frye A47G 1/17
24/304
4,756,498 A * 7/1988 Frye A47G 1/17
248/205.3
5,121,896 A * 6/1992 Frye F16B 47/003
248/205.3
D327,641 S * 7/1992 Hoskinson D8/367

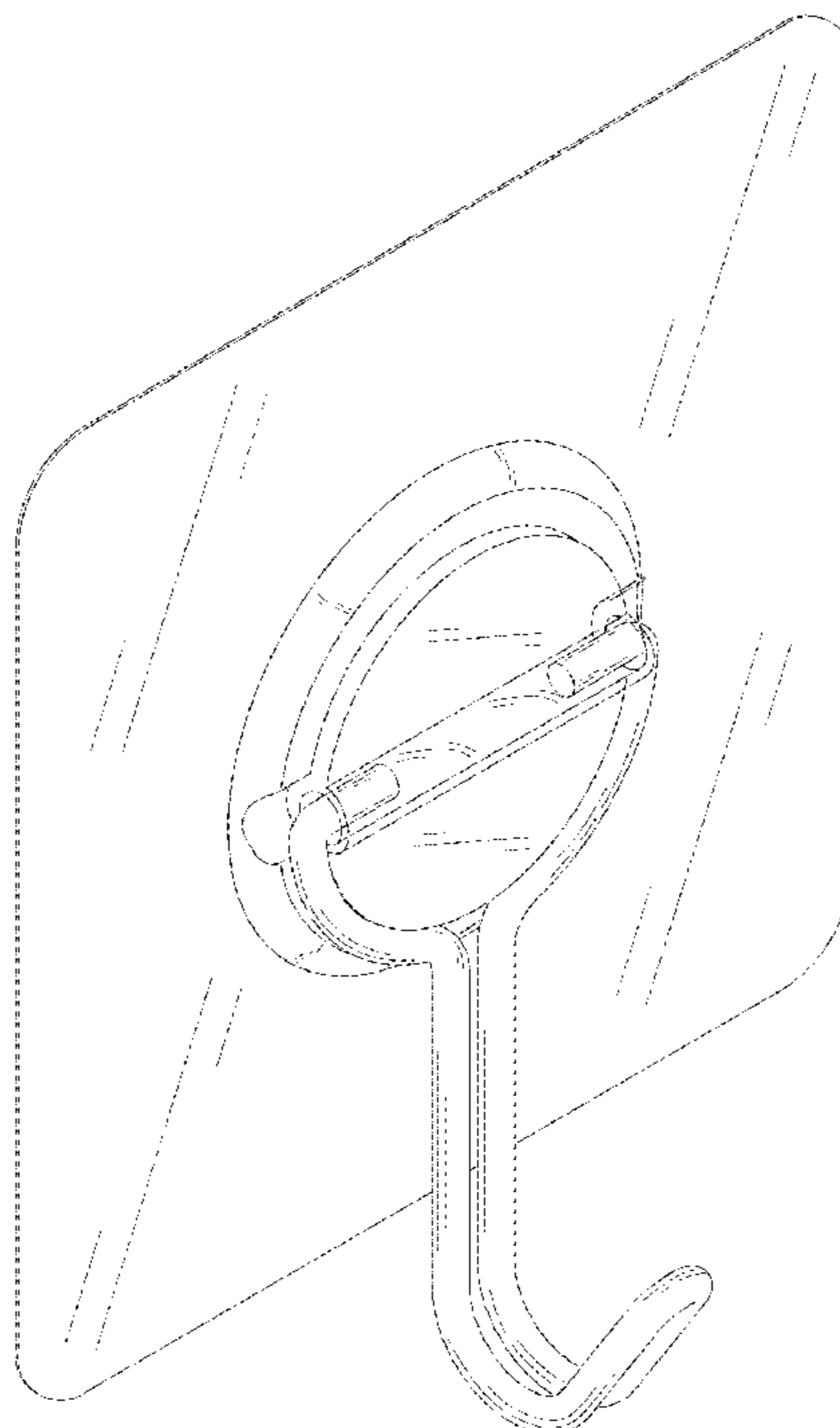
(57) **CLAIM**

The ornamental design for a hook, as shown and described.

DESCRIPTION

FIG. 1 is a front perspective view of a hook, showing my new design;
FIG. 2 is a front view thereof;
FIG. 3 is a rear view thereof;
FIG. 4 is a left side view thereof;
FIG. 5 is a right side view thereof;
FIG. 6 is a top view thereof; and,
FIG. 7 is a bottom view thereof.

1 Claim, 7 Drawing Sheets



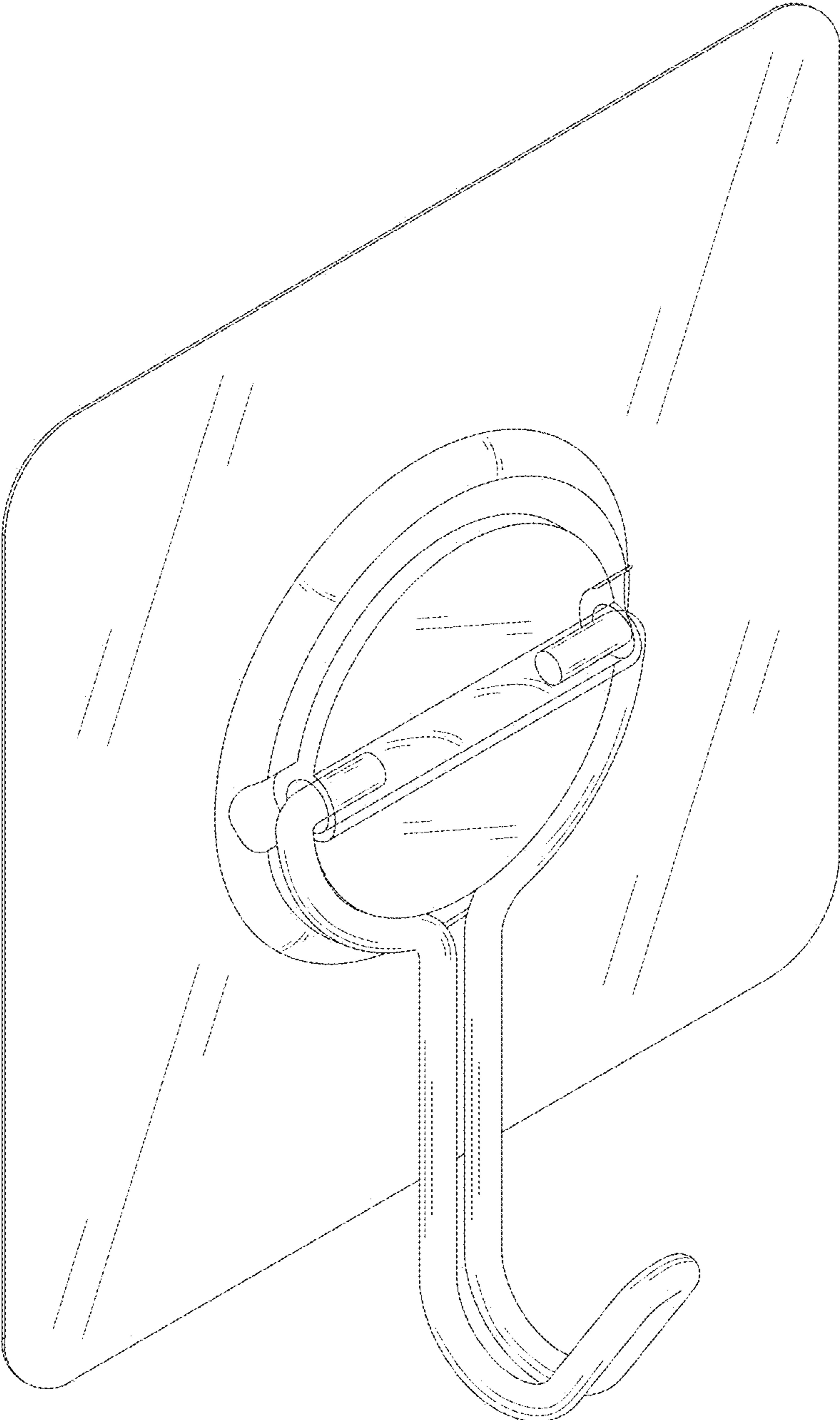


FIG. 1

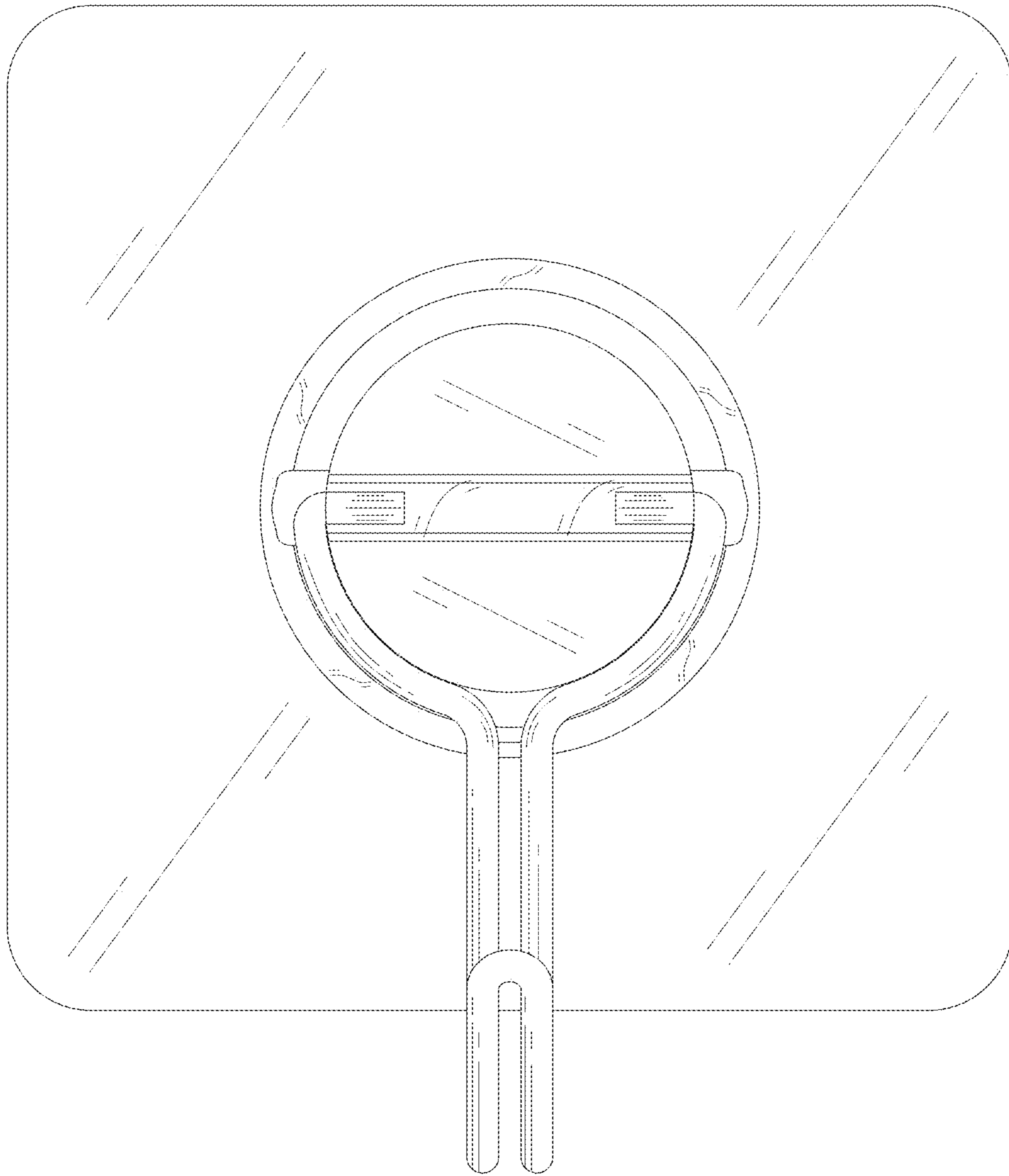


FIG. 2

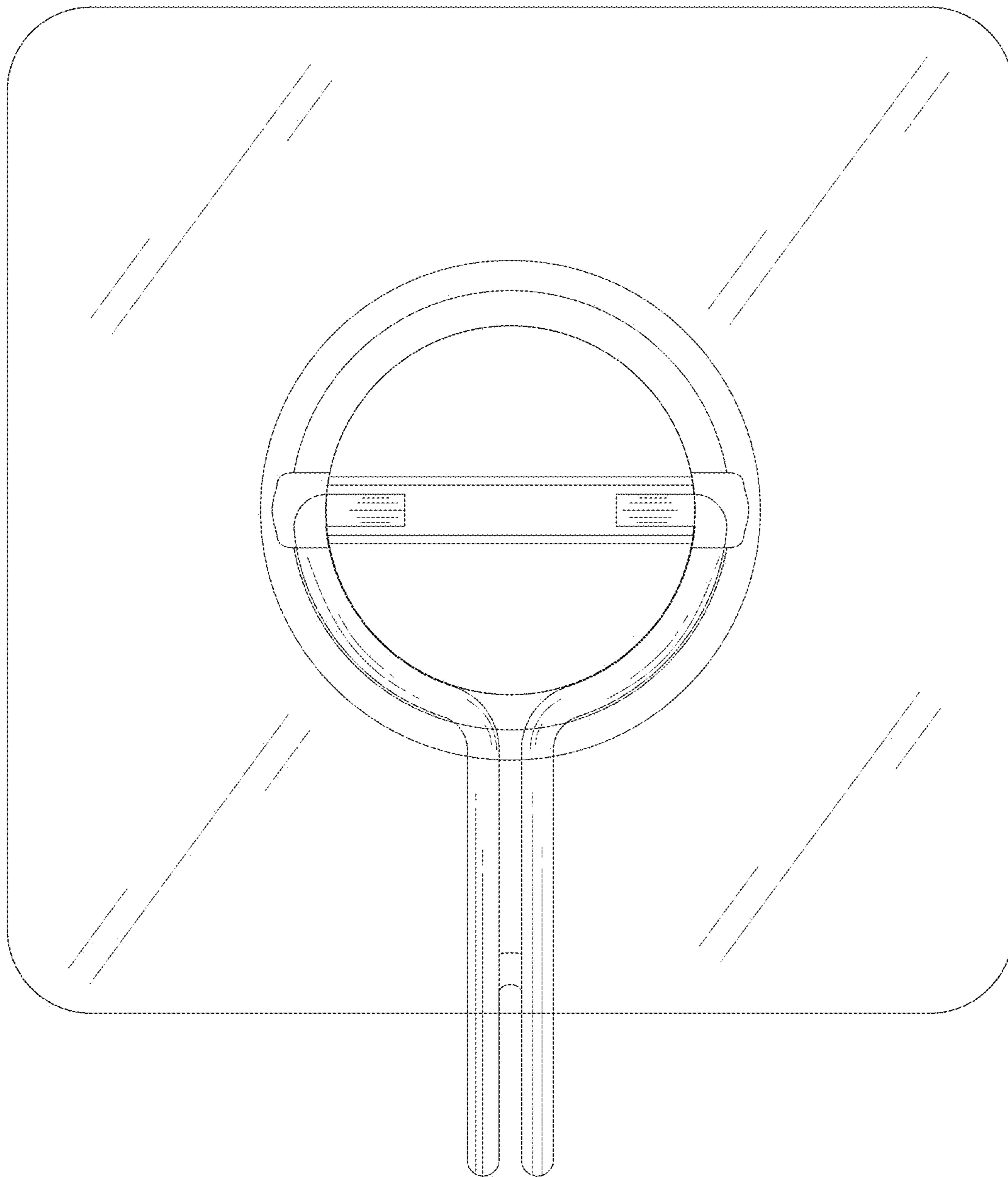


FIG. 3

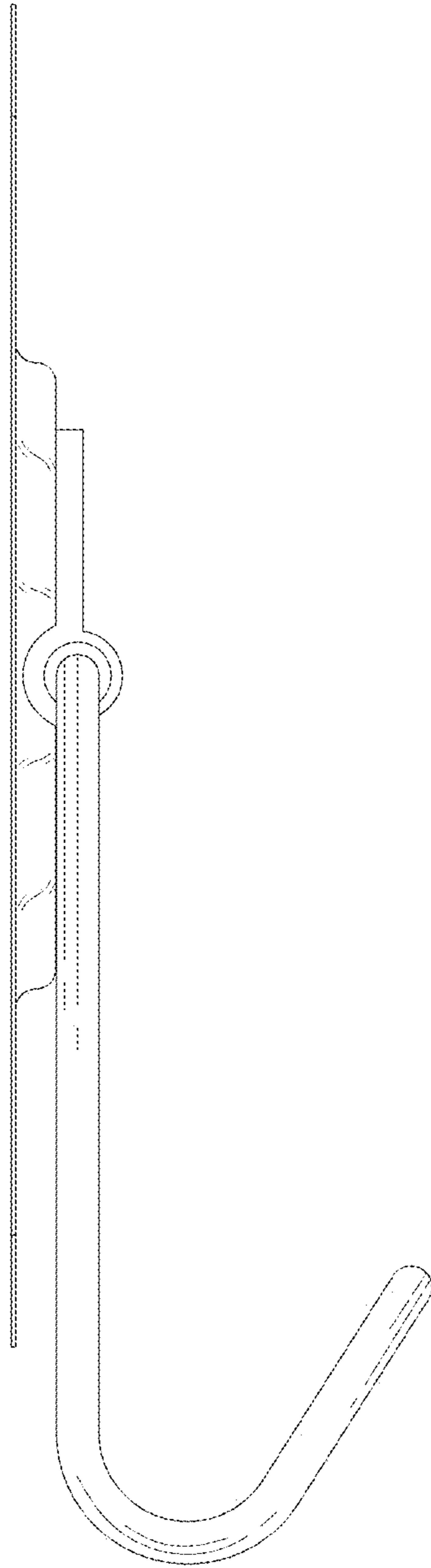


FIG. 4

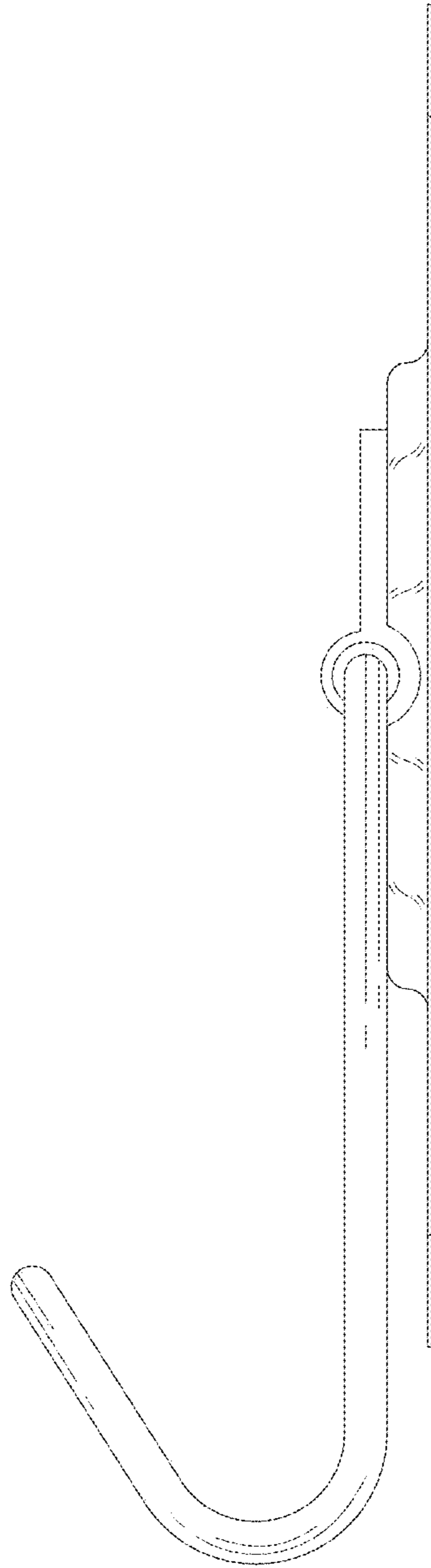


FIG. 5

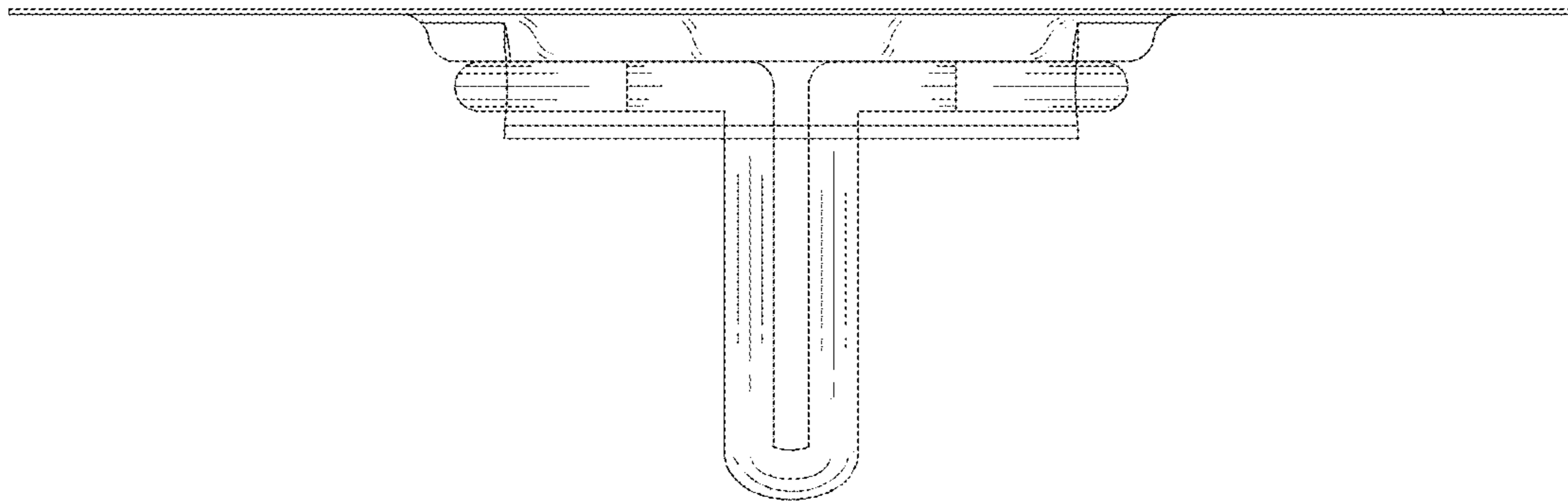


FIG. 6

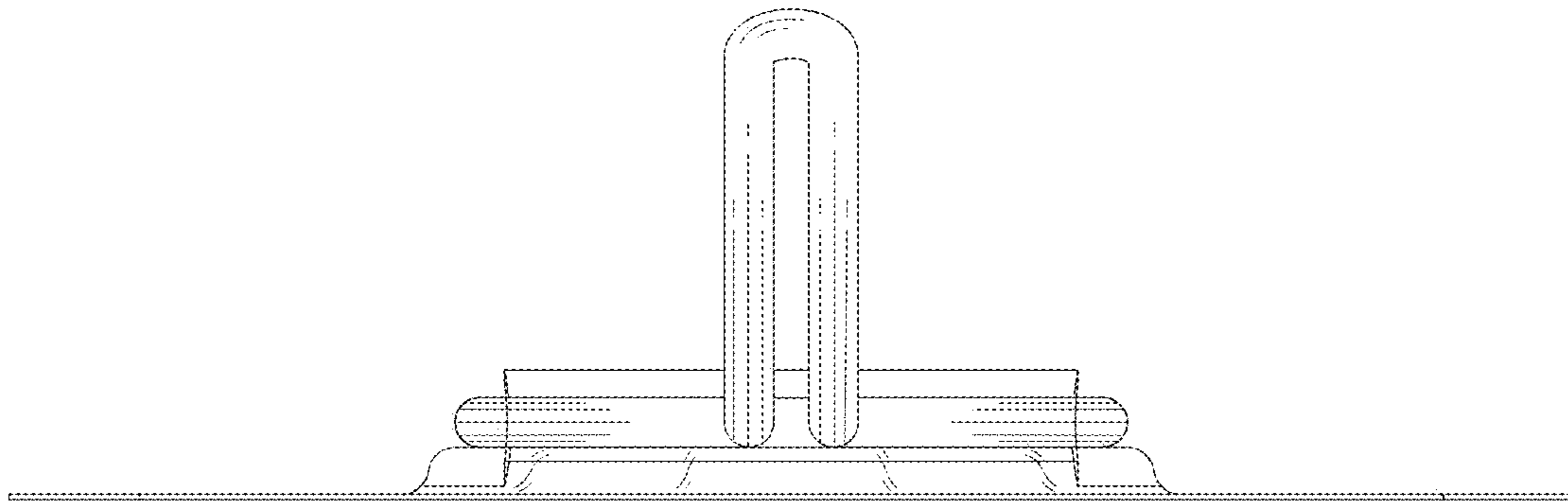


FIG. 7