



US00D974885S

(12) **United States Design Patent**  
**Zhou**

(10) **Patent No.:** **US D974,885 S**  
(45) **Date of Patent:** **\*\* Jan. 10, 2023**

- (54) **PLASTIC WALL HOOK**
- (71) Applicant: **Junhao Zhou**, Guangdong (CN)
- (72) Inventor: **Junhao Zhou**, Guangdong (CN)
- (\*\*) Term: **15 Years**
- (21) Appl. No.: **29/853,943**
- (22) Filed: **Sep. 20, 2022**
- (51) **LOC (14) Cl.** ..... **08-11**
- (52) **U.S. Cl.**  
USPC ..... **D8/367**
- (58) **Field of Classification Search**  
USPC ..... D8/367, 354, 349, 373, 356; D6/323;  
248/301-304, 339  
CPC .. A47G 1/00; A47G 25/00; A47G 1/17; F16B  
47/003  
See application file for complete search history.

D436,517 S *	1/2001	Barry	.....	D8/354
D473,454 S *	4/2003	Goodman	.....	D8/372
D477,526 S *	7/2003	Goodman	.....	D8/370
D499,329 S	12/2004	Suero, Jr.		
D590,577 S *	4/2009	Bruno	.....	D2/999
D670,997 S *	11/2012	Thompson	.....	D8/367
D761,093 S *	7/2016	Liu	.....	D8/367
D832,685 S *	11/2018	Wei	.....	D8/367
D864,700 S *	10/2019	Chen	.....	D8/367
D872,567 S	1/2020	Bond		
D879,596 S *	3/2020	Li	.....	D8/367
D918,698 S *	5/2021	Man	.....	D8/367
D935,312 S *	11/2021	Zhou	.....	D8/367
D939,330 S *	12/2021	Zhou	.....	D8/367
D940,792 S *	1/2022	Wu	.....	D20/43
2013/0168517 A1 *	7/2013	Chu	.....	A47K 10/12 248/304

\* cited by examiner

*Primary Examiner* — Cynthia R Underwood

(56) **References Cited**

**U.S. PATENT DOCUMENTS**

2,765,998 A *	10/1956	Engert	.....	A47G 1/17 248/467
D212,553 S *	10/1968	Hekman	.....	D8/367
3,637,181 A *	1/1972	Janssen	.....	A47G 1/17 156/320
4,003,538 A *	1/1977	Frye	.....	A47G 1/17 24/304
4,756,498 A *	7/1988	Frye	.....	F16B 47/003 248/467
5,121,896 A *	6/1992	Frye	.....	A47G 1/17 248/205.5
5,699,591 A *	12/1997	Kane	.....	F16G 11/00 24/304
D424,351 S *	5/2000	Hill	.....	D8/367

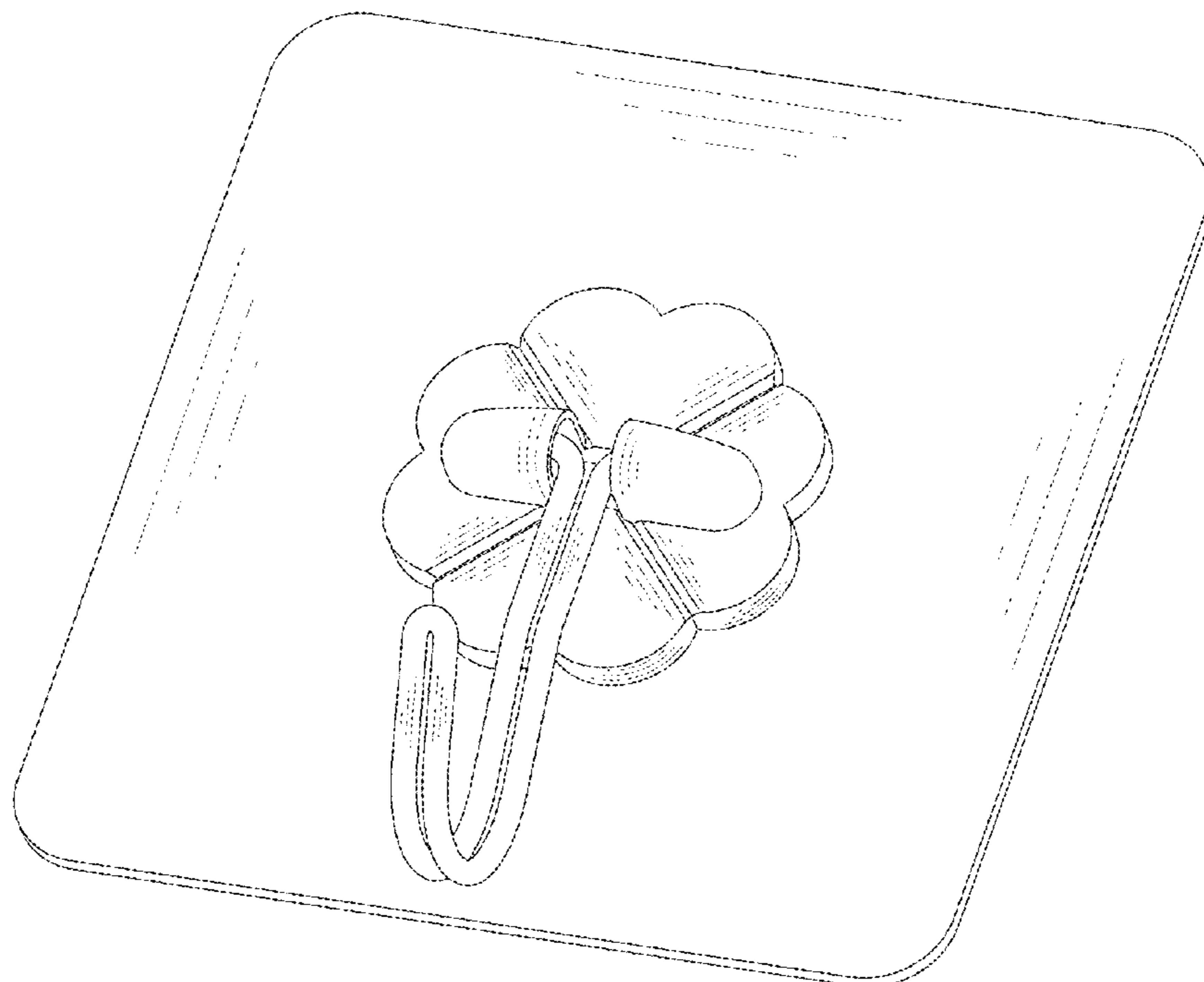
(57) **CLAIM**

The ornamental design for a plastic wall hook, as shown and described.

**DESCRIPTION**

FIG. 1 is a front and right side perspective view of a plastic wall hook, showing my new design; FIG. 2 is a front elevational view thereof; FIG. 3 is a back elevational view thereof; FIG. 4 is a left side elevational view thereof; FIG. 5 is a right side elevational view thereof; FIG. 6 is a top plan view thereof; and, FIG. 7 is a bottom plan view thereof.

**1 Claim, 7 Drawing Sheets**



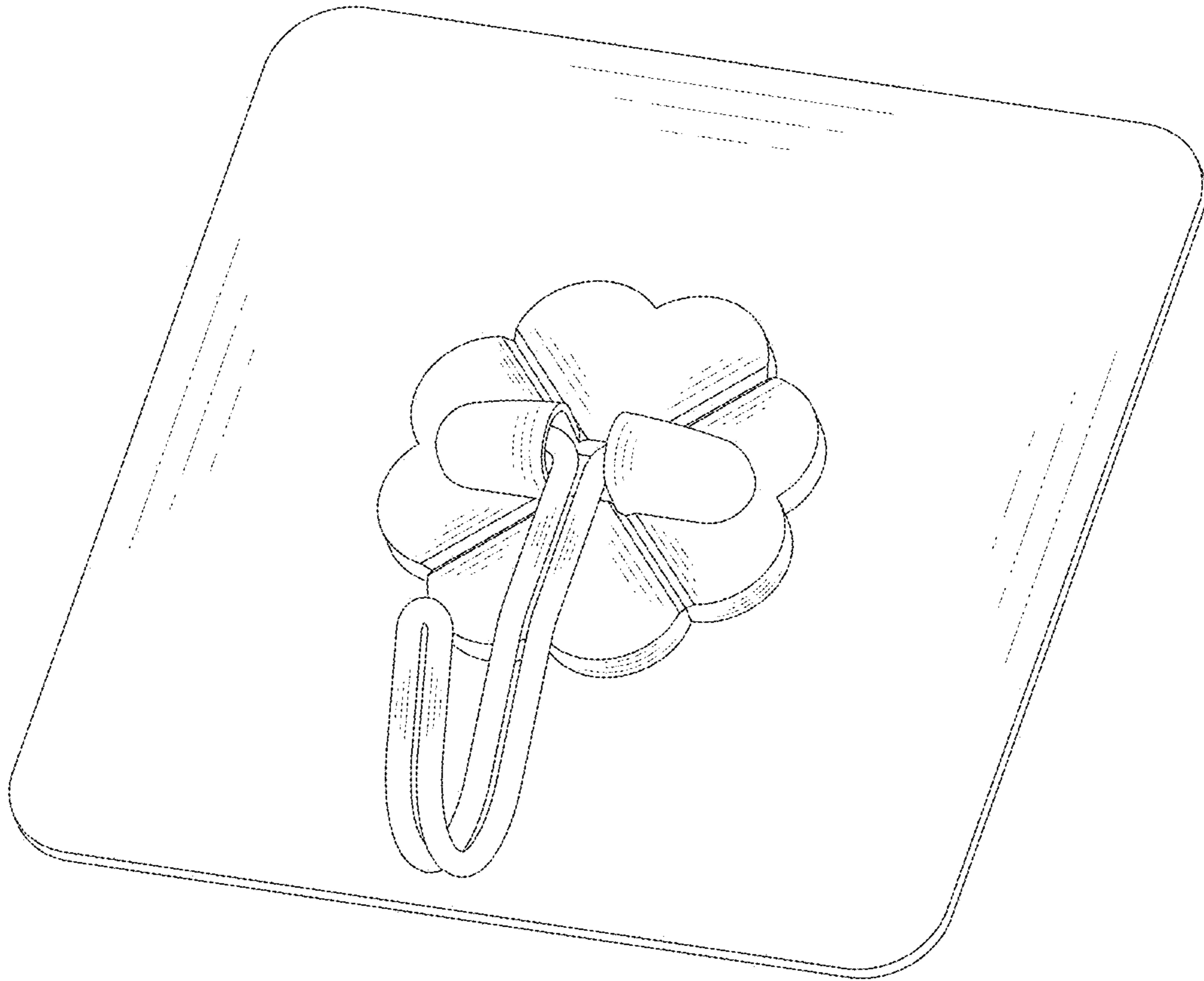


FIG. 1

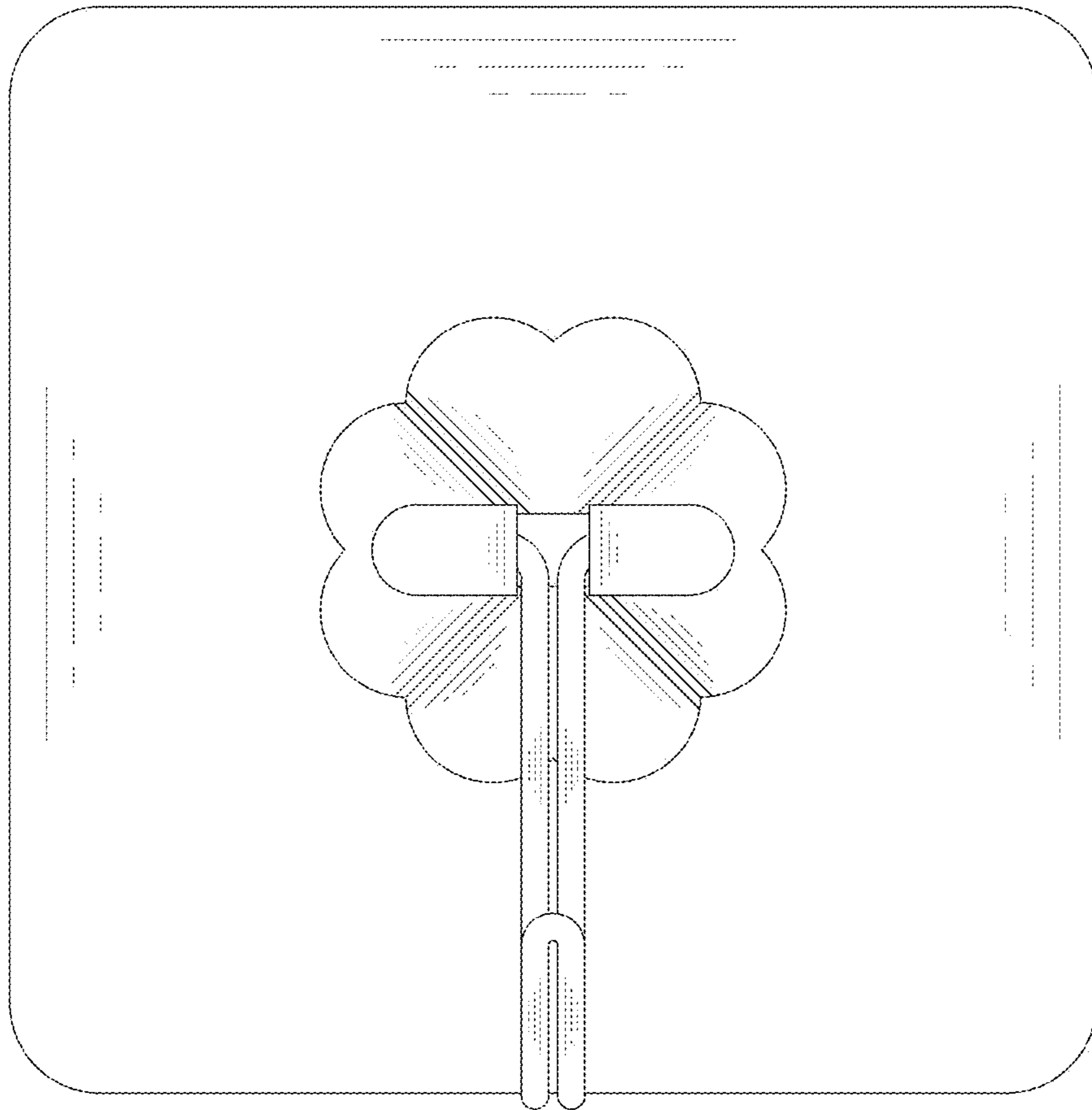


FIG. 2

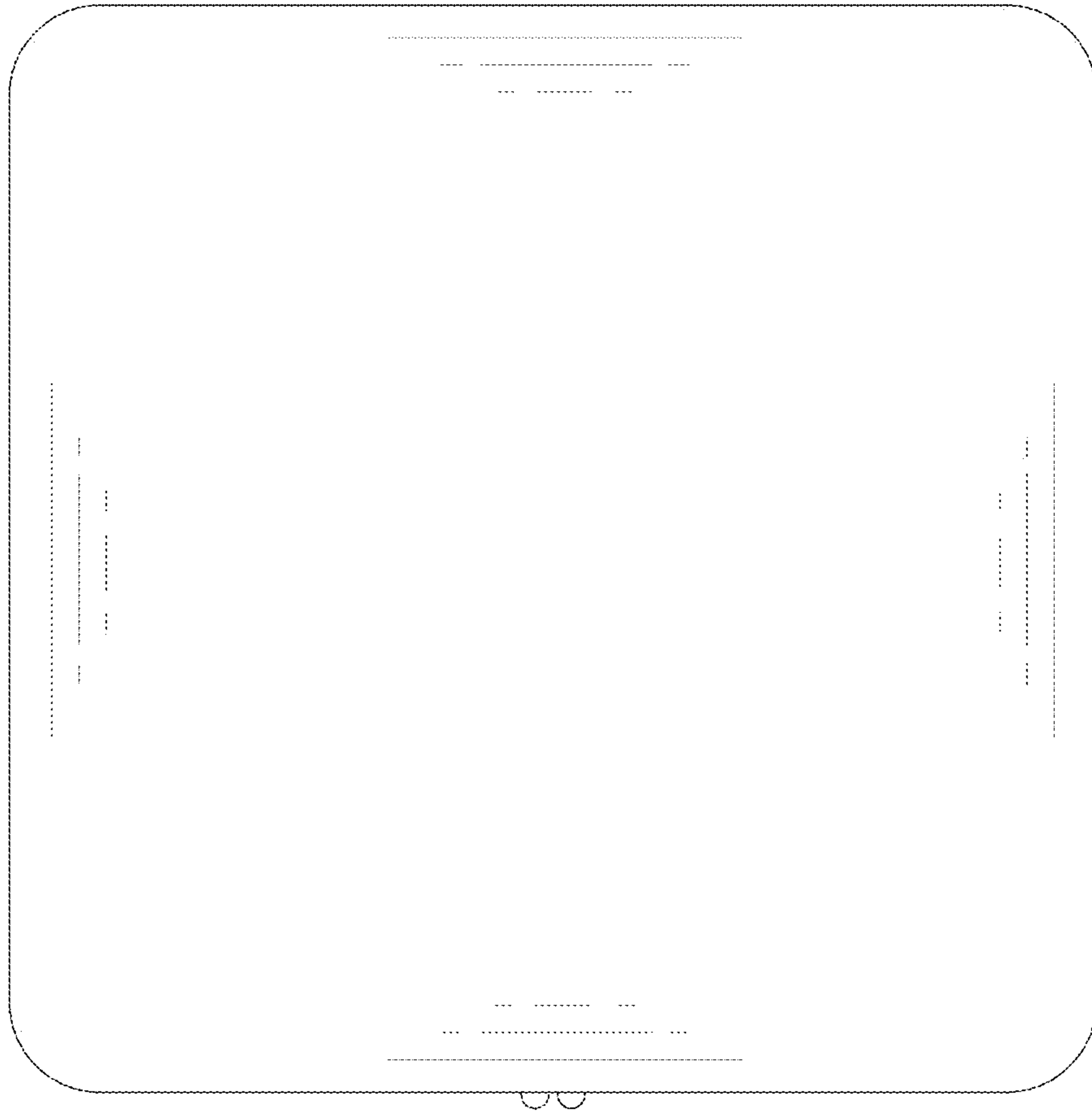


FIG. 3

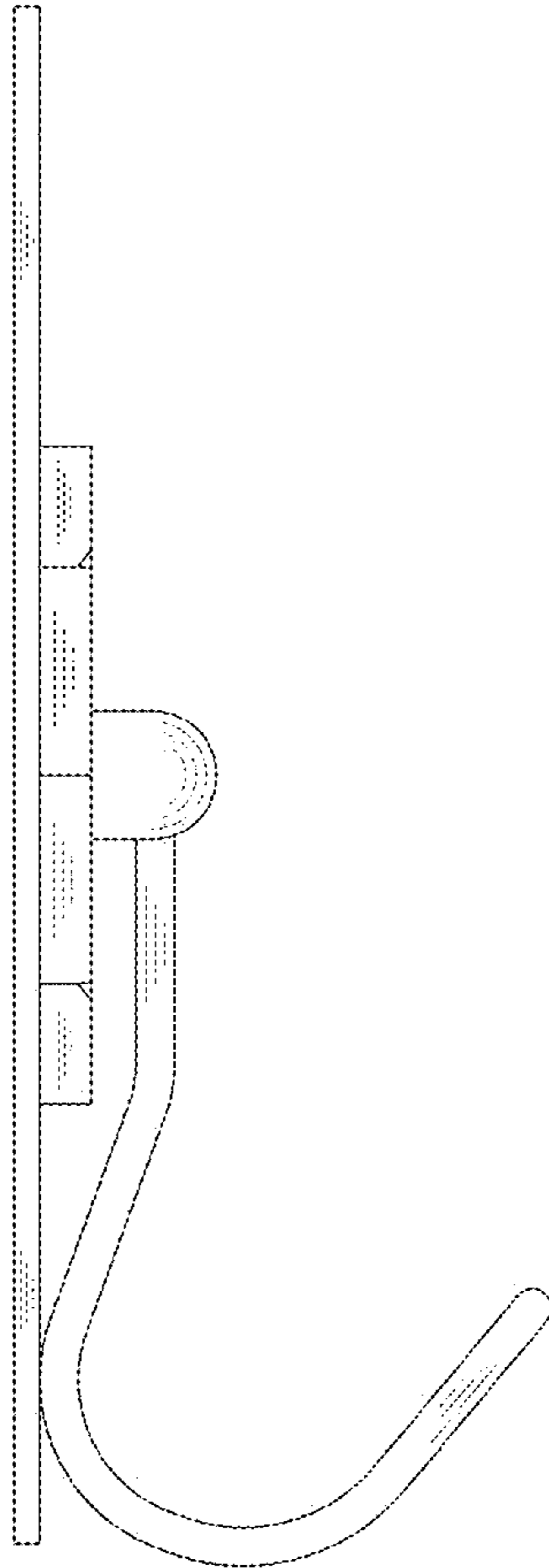


FIG. 4

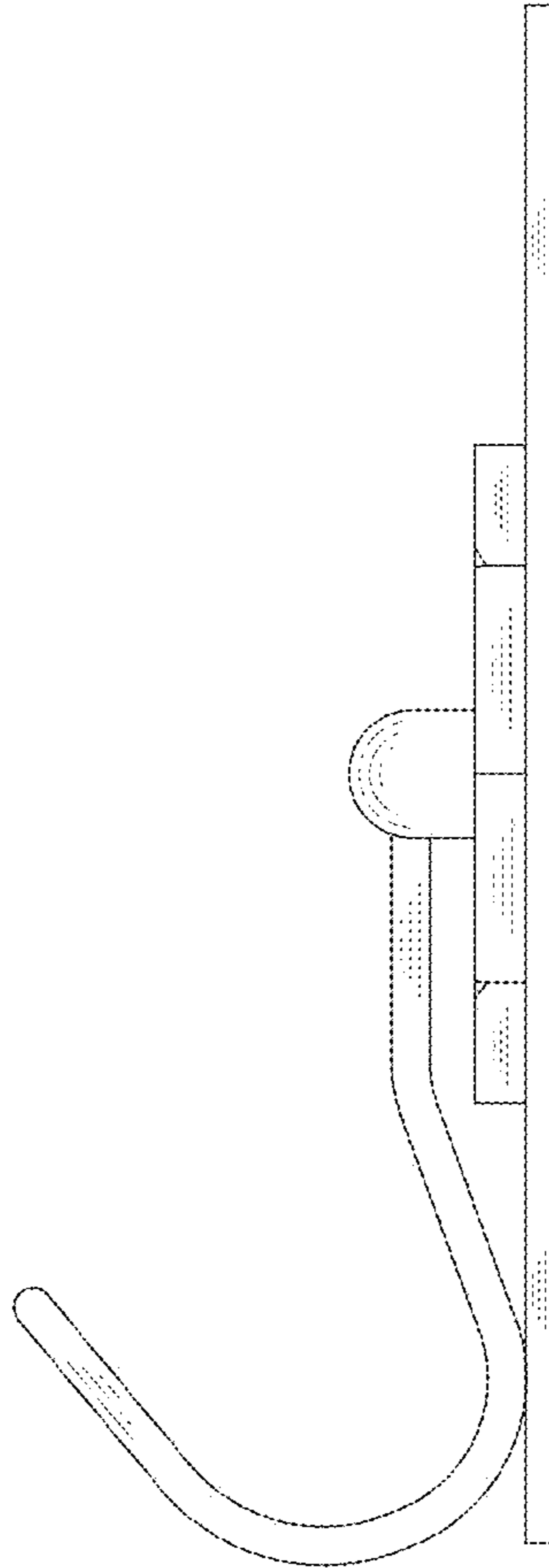


FIG. 5

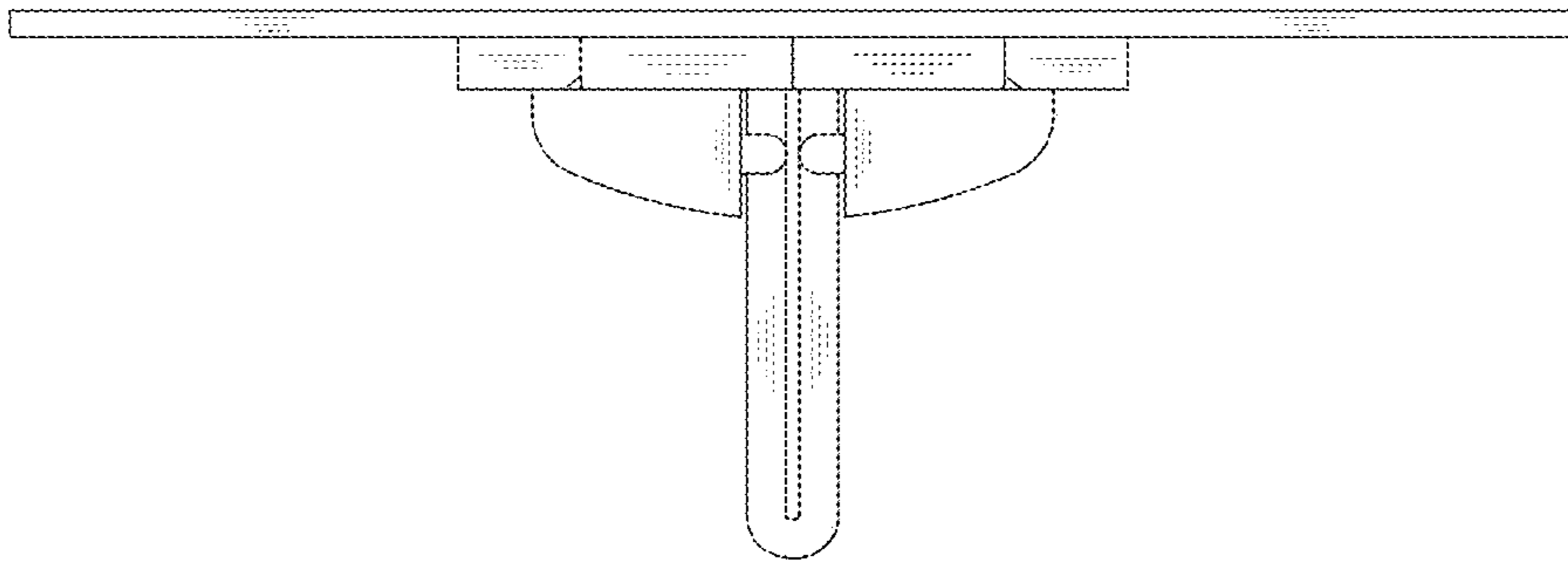


FIG. 6

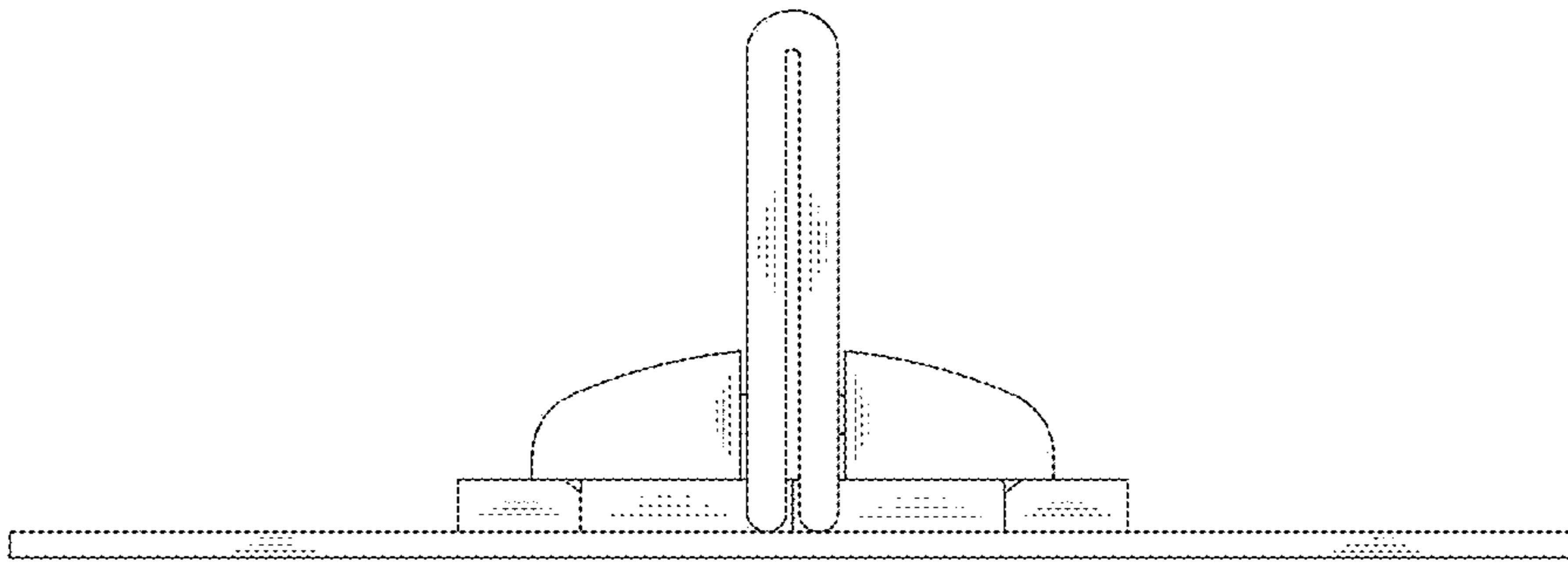


FIG. 7