



US00D974882S

(12) **United States Design Patent**  
**Griffin**

(10) **Patent No.:** **US D974,882 S**  
(45) **Date of Patent:** **\*\* Jan. 10, 2023**

- (54) **LIFTING EYE**
- (71) Applicant: **Leon Griffin**, Mounth Pleasant, SC (US)
- (72) Inventor: **Leon Griffin**, Mounth Pleasant, SC (US)
- (\*\*) Term: **15 Years**
- (21) Appl. No.: **29/784,068**
- (22) Filed: **May 17, 2021**
- (51) **LOC (14) Cl.** ..... **08-11**
- (52) **U.S. Cl.**  
USPC ..... **D8/367; D8/387**
- (58) **Field of Classification Search**  
USPC ..... D8/367, 387, 349, 354  
CPC .. F16B 23/00; F16B 45/00; B66C 1/66; F16C 11/10; F16G 15/08  
See application file for complete search history.

- 6,746,194 B2 \* 6/2004 Boe ..... F16B 35/06  
411/409
  - D605,500 S \* 12/2009 Lee ..... D8/387
  - 7,783,519 B2 \* 8/2010 Alba ..... G06Q 10/087  
705/26.1
  - D638,695 S \* 5/2011 Woodrow ..... D8/382
  - 8,201,867 B2 \* 6/2012 Thomeczek ..... B66C 1/66  
294/215
  - 9,046,123 B2 \* 6/2015 Rinklake ..... F16B 45/00
- (Continued)

FOREIGN PATENT DOCUMENTS

- CN 3016747 \* 2/1993
  - CN 302141284 \* 10/2012
- (Continued)

*Primary Examiner* — Sheryl Lane  
*Assistant Examiner* — Ieisha N Price  
 (74) *Attorney, Agent, or Firm* — Quickpatents, LLC;  
 Kevin Prince

(56) **References Cited**

U.S. PATENT DOCUMENTS

- 2,343,283 A \* 3/1944 Davis ..... F16B 13/066  
403/243
- D198,281 S \* 5/1964 Mills ..... D8/367
- 3,248,996 A \* 5/1966 Larson ..... F16B 45/00  
411/368
- 4,958,796 A \* 9/1990 Bernosky ..... E21D 21/0093  
411/374
- 5,125,861 A \* 6/1992 Freeman ..... B66C 1/66  
411/397
- 5,690,457 A \* 11/1997 Smetz ..... F16B 45/00  
81/436
- 5,865,416 A \* 2/1999 Hanaway ..... B64F 1/16  
24/457
- D413,791 S \* 9/1999 May ..... D8/387
- 5,992,910 A \* 11/1999 Kwon ..... B66C 1/66  
294/215
- D446,442 S \* 8/2001 Simpson ..... D8/354
- 6,360,408 B1 \* 3/2002 Dykstra ..... F16G 11/10  
24/598.5

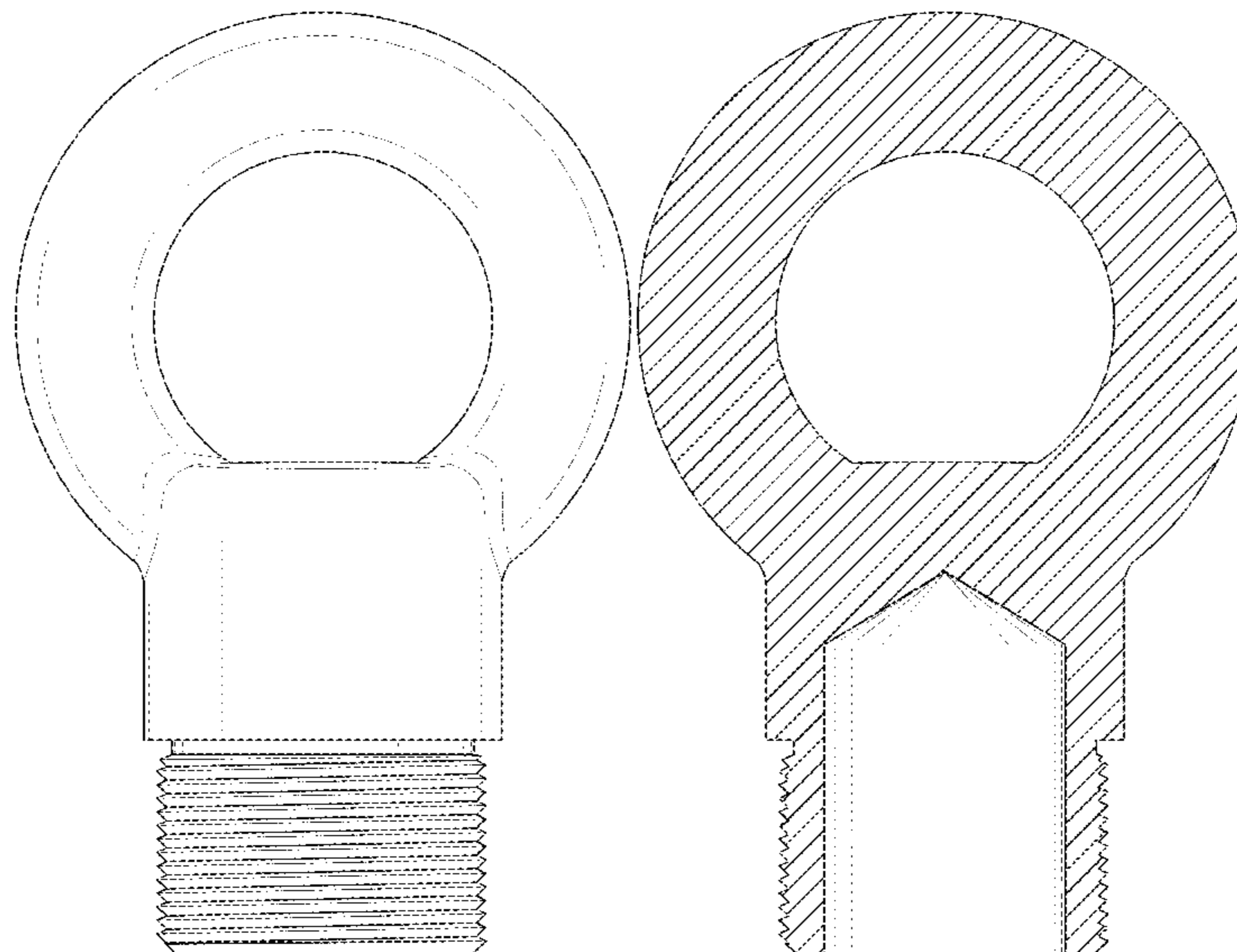
(57) **CLAIM**

The ornamental design for a lifting eye, as shown and described.

**DESCRIPTION**

FIG. 1 is a top perspective view of a lifting eye, showing my new design;  
 FIG. 2 is a front elevational view thereof;  
 FIG. 3 is a rear elevational view thereof;  
 FIG. 4 is a left-side elevational view thereof;  
 FIG. 5 is a right-side elevational view thereof;  
 FIG. 6 is a top plan view thereof;  
 FIG. 7 is a bottom plan view thereof;  
 FIG. 8 is a cross-sectional view thereof, taken along line 8--8 of FIG. 4; and,  
 FIG. 9 is a cross-sectional view thereof, taken along line 9--9 of FIG. 3.

**1 Claim, 8 Drawing Sheets**



(56)

References Cited

U.S. PATENT DOCUMENTS

D736,063 S \* 8/2015 White ..... D8/354  
 D742,724 S \* 11/2015 Smetz ..... D8/367  
 9,188,151 B2 \* 11/2015 Ivanic ..... B60P 7/0807  
 9,302,889 B2 \* 4/2016 Bateman ..... B66C 15/065  
 9,327,945 B2 \* 5/2016 Boisson ..... B66C 1/66  
 D803,668 S \* 11/2017 Bradshaw ..... D8/367  
 D814,257 S \* 4/2018 Berndt ..... D8/14  
 D840,794 S \* 2/2019 Bradshaw ..... D8/367  
 10,259,691 B1 \* 4/2019 Hong ..... B66C 1/66  
 10,710,846 B2 \* 7/2020 Redder ..... F16G 15/08  
 10,759,633 B2 \* 9/2020 Verbrugge ..... F16B 45/00  
 D899,230 S \* 10/2020 Tang ..... D8/367  
 D908,477 S \* 1/2021 Liu ..... D8/367  
 10,962,046 B2 \* 3/2021 Kilpatrick ..... F16B 43/00  
 D922,185 S \* 6/2021 Liu ..... D8/367  
 11,167,957 B1 \* 11/2021 Striebel ..... B66C 1/66  
 2002/0014569 A1 \* 2/2002 Pearl ..... B66C 1/66  
 248/499  
 2003/0072636 A1 \* 4/2003 Boe ..... F16B 35/06  
 411/409  
 2003/0180118 A1 \* 9/2003 Alba ..... G06Q 10/087  
 411/400  
 2005/0019135 A1 \* 1/2005 Smetz ..... B66C 1/66  
 411/400  
 2007/0194588 A1 \* 8/2007 Taubert ..... F16B 45/00  
 296/37.14  
 2010/0207406 A1 \* 8/2010 Thomeczek ..... B66C 1/66  
 294/215

2013/0193671 A1 \* 8/2013 McCoy ..... B60D 1/488  
 280/495  
 2013/0251444 A1 \* 9/2013 Ivanic ..... F16B 45/00  
 403/78  
 2013/0298493 A1 \* 11/2013 Guthrie ..... E04G 21/3276  
 52/749.1  
 2013/0305582 A1 \* 11/2013 Mayberry ..... F41C 23/02  
 42/85  
 2014/0327262 A1 \* 11/2014 Alba ..... B66C 1/66  
 294/215  
 2015/0071732 A1 \* 3/2015 Hong ..... F16B 35/06  
 411/383  
 2015/0300399 A1 \* 10/2015 Ivanic ..... B60P 7/0807  
 411/192  
 2016/0123374 A1 \* 5/2016 Roberts ..... A45F 3/14  
 294/215  
 2017/0089151 A1 \* 3/2017 Cavalheiro ..... E21B 19/04  
 2017/0363138 A1 \* 12/2017 Kilpatrick ..... F16B 2/065  
 2018/0029846 A1 \* 2/2018 Verbrugge ..... F16B 39/101  
 2018/0079628 A1 \* 3/2018 Bradshaw ..... B66C 1/66  
 2019/0031473 A1 \* 1/2019 Kim ..... F16G 15/06  
 2019/0202669 A1 \* 7/2019 Betzler ..... B66C 1/66  
 2019/0210844 A1 \* 7/2019 Redder ..... B66C 1/66  
 2022/0055873 A1 \* 2/2022 Biggerstaff ..... B66C 1/66

FOREIGN PATENT DOCUMENTS

CN 302935324 \* 9/2014  
 CN 304304760 \* 10/2017  
 KR 300747798.0000 \* 6/2014

\* cited by examiner

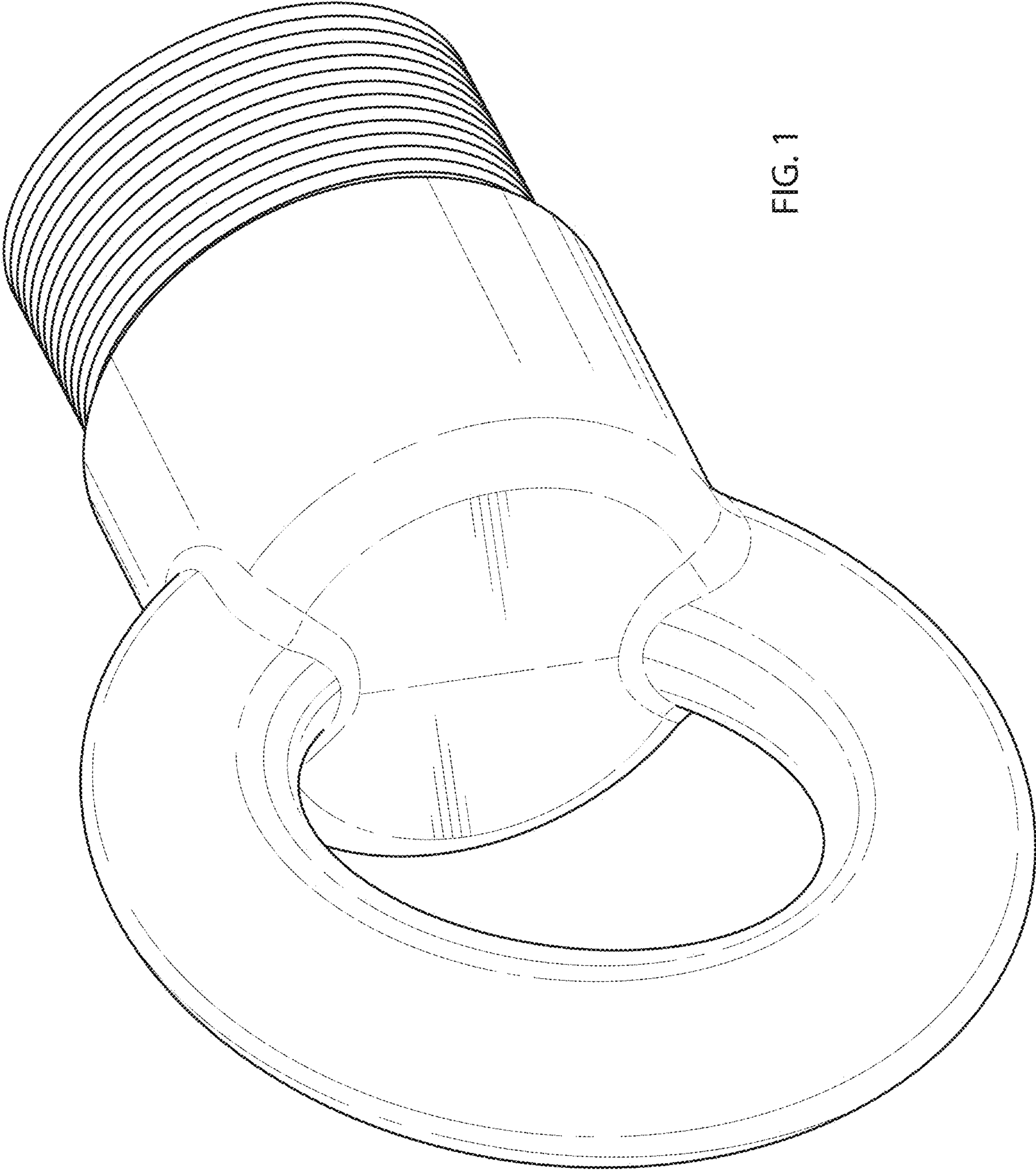


FIG. 1

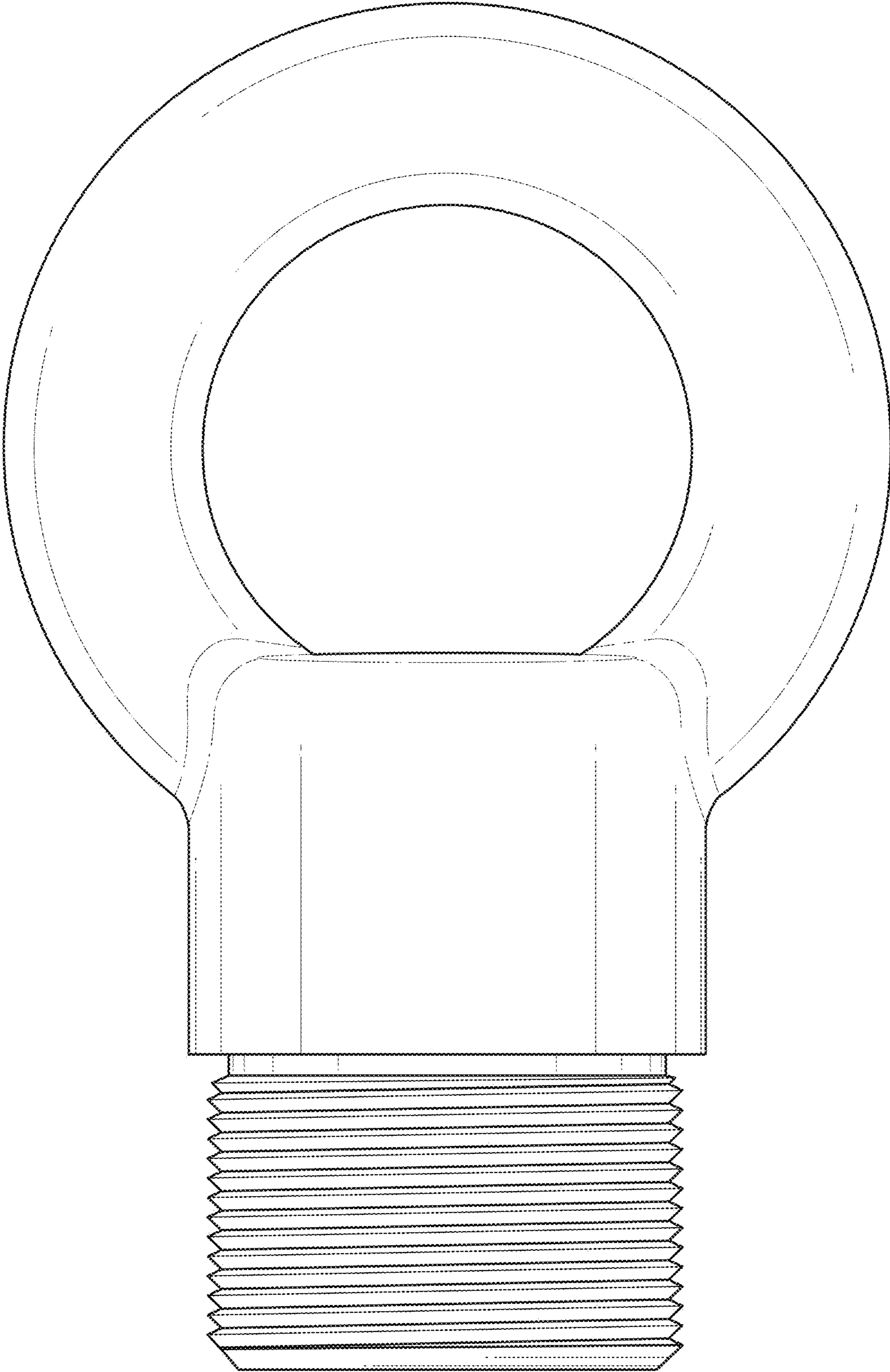


FIG. 2

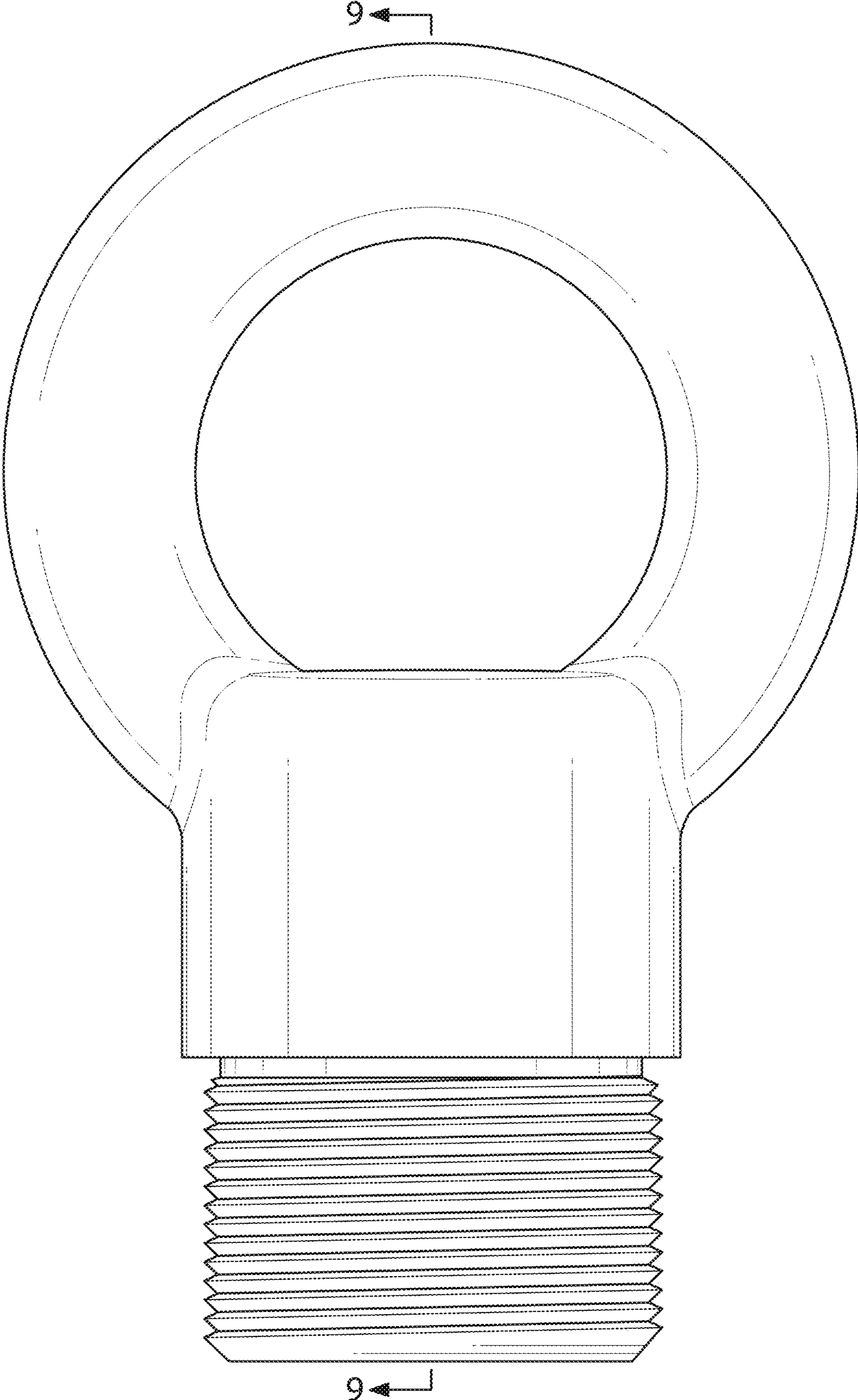


FIG. 3

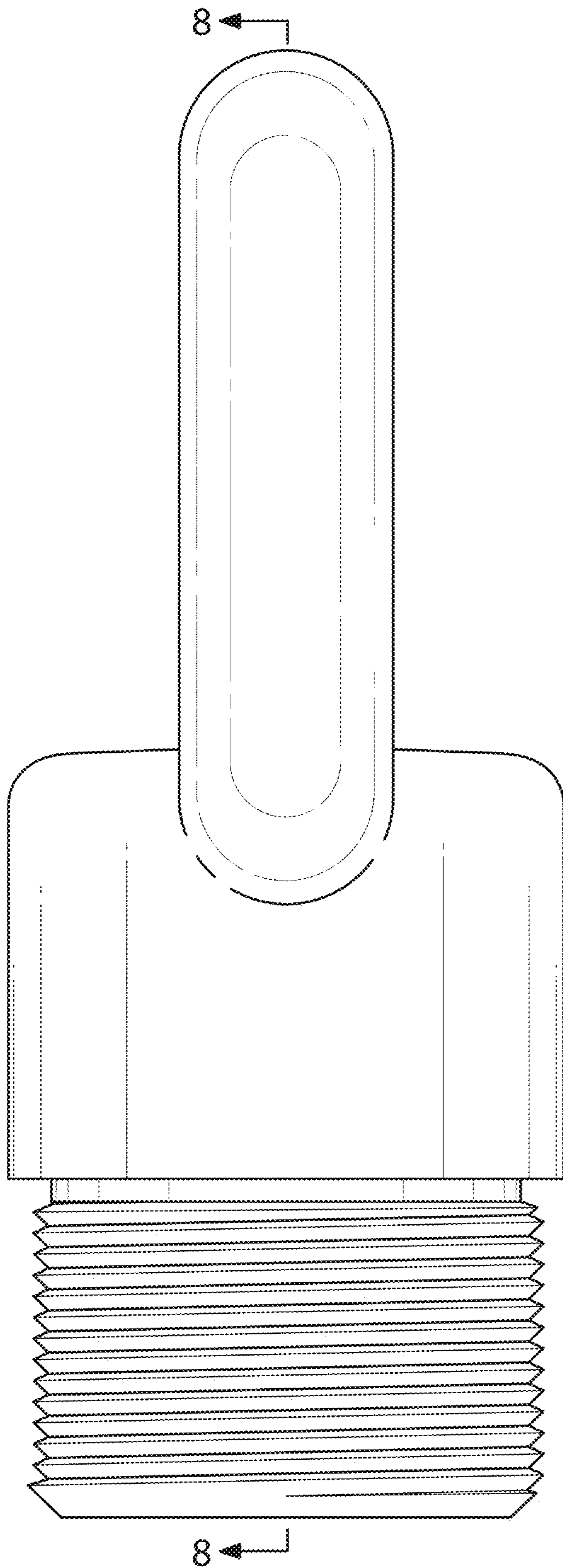


FIG. 4

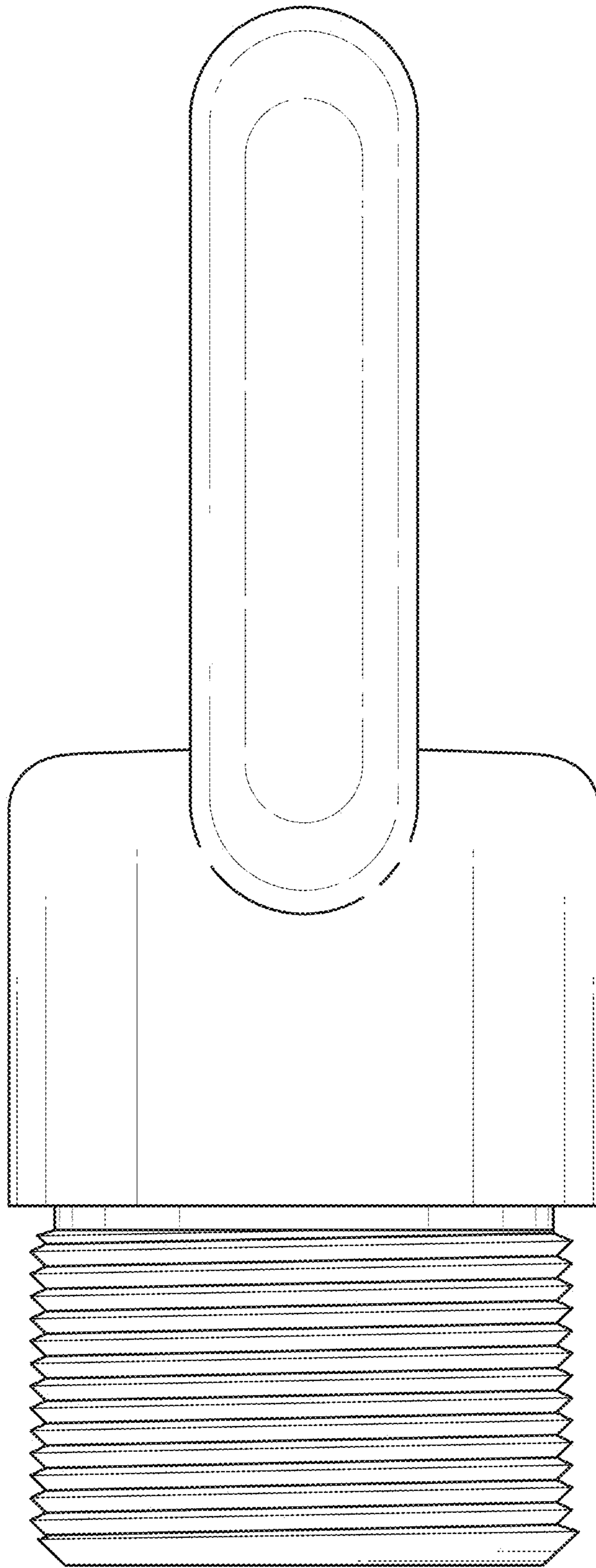


FIG. 5

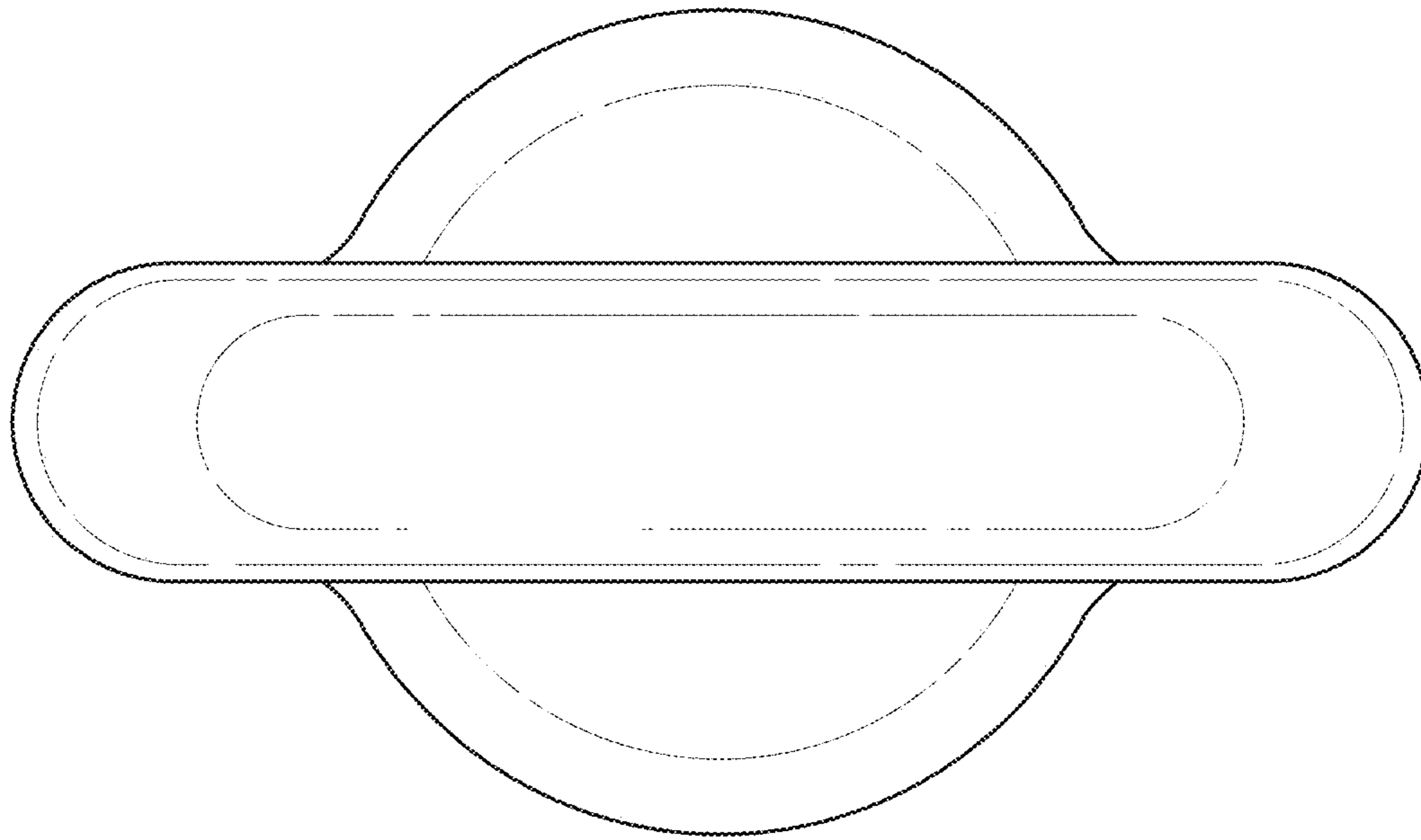


FIG. 6

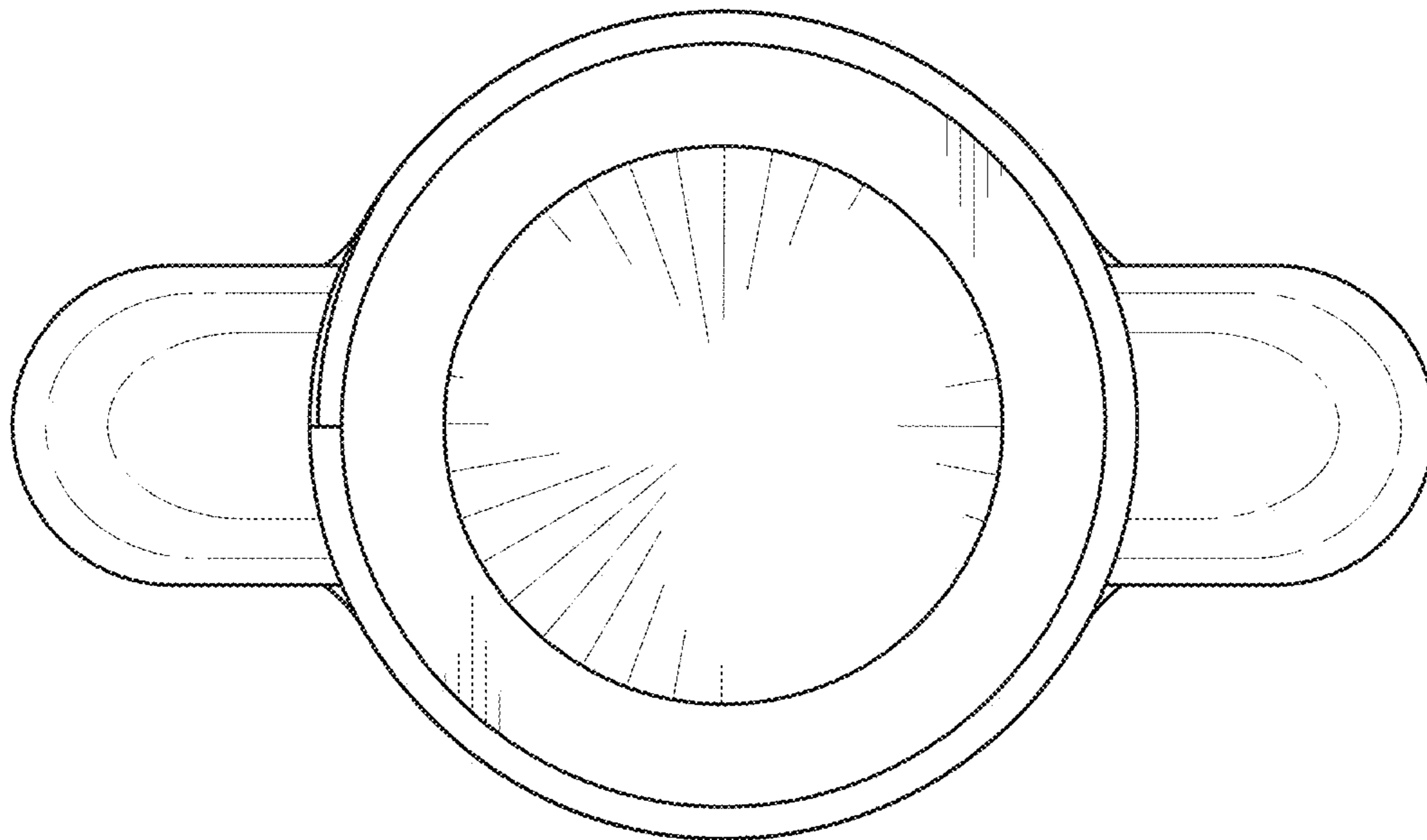


FIG. 7



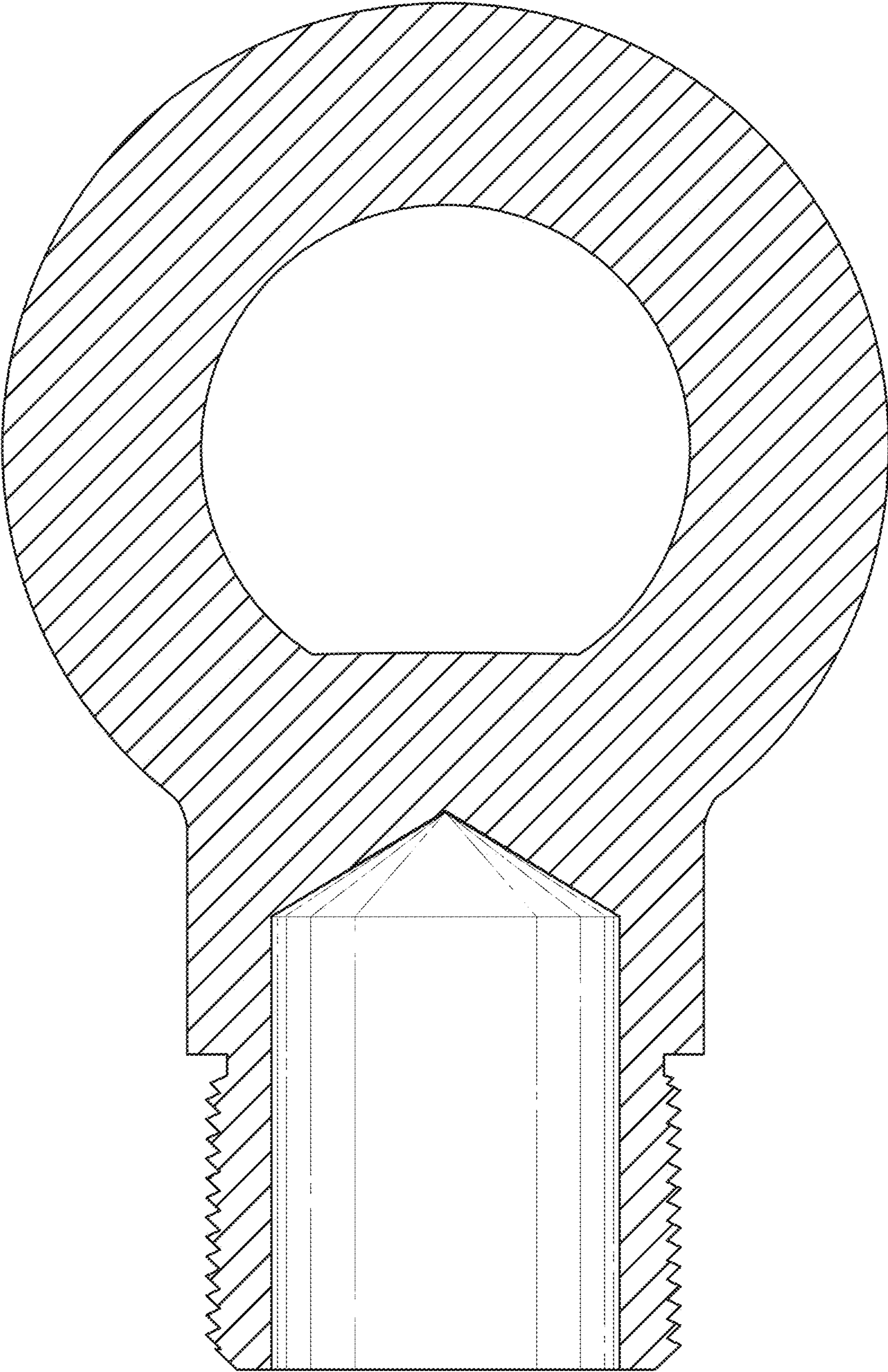


FIG. 8

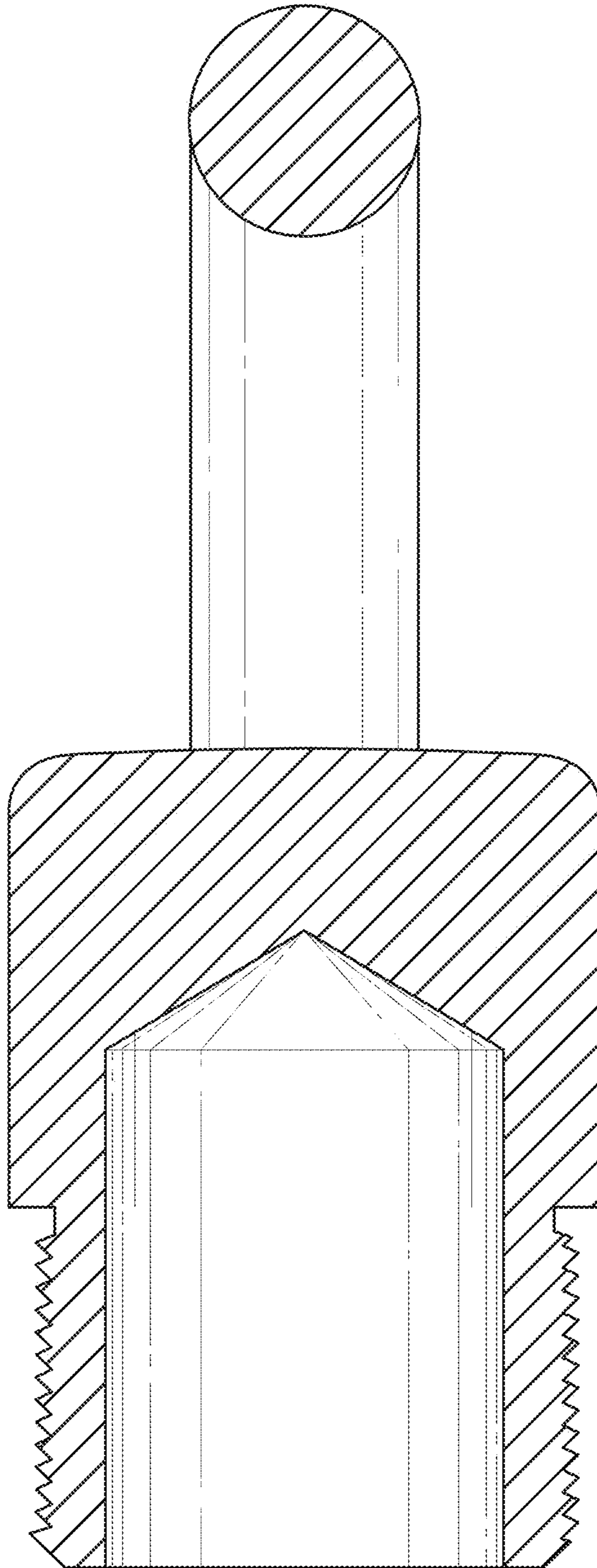


FIG. 9