



US00D974881S

(12) **United States Design Patent**  
**Jacobs**

(10) **Patent No.:** **US D974,881 S**

(45) **Date of Patent:** **\*\* Jan. 10, 2023**

(54) **GARDENING IMPLEMENT**

(71) Applicant: **Jeeb, Inc.**, Grand View, WI (US)

(72) Inventor: **Bobby Jacobs**, Grand View, WI (US)

(73) Assignee: **Jeeb, Inc.**, Grand View, WI (US)

(\*\*) Term: **15 Years**

(21) Appl. No.: **29/725,845**

(22) Filed: **Feb. 27, 2020**

(51) **LOC (14) Cl.** ..... **08-05**

(52) **U.S. Cl.**  
USPC ..... **D8/367**; D8/1; D8/371; D8/373

(58) **Field of Classification Search**  
USPC ..... D8/1, 3, 6, 7, 9, 12, 13, 367, 370, 371,  
D8/373  
CPC .... A01B 1/16; A01C 5/02; A01G 5/04; A44B  
13/0017; A47G 3/00; A47G 7/02; A47G  
7/044; E04B 1/2612; E04B 9/006; F16B  
45/00

See application file for complete search history.

(56) **References Cited**

**U.S. PATENT DOCUMENTS**

D11,809 S *	6/1880	Christesen	.....	A01B 1/16 D8/367
D24,540 S *	8/1895	Bickel	.....	D8/370
D32,851 S *	6/1900	Wilkerson	.....	A01B 1/16 D8/371
D131,503 S *	3/1942	Dreyfuss	.....	A01B 1/18 D6/323
D241,206 S *	8/1976	Halsted	.....	E21B 11/005 D8/367
D267,455 S *	1/1983	Cohen	.....	A01B 1/16 D8/367

(Continued)

**OTHER PUBLICATIONS**

Bird Pole Post Straight Hanger Arms. (n.d.). Backyard Wild Birds.  
Retrieved Feb. 15, 2022, URL:<[https://www.backyardwildbirds.com/Bird-Pole-Post-Straight-Hanger-Arms\\_p\\_3277.html](https://www.backyardwildbirds.com/Bird-Pole-Post-Straight-Hanger-Arms_p_3277.html)> (Year: 2022).\*

com/Bird-Pole-Post-Straight-Hanger-Arms\_p\_3277.html> (Year: 2022).\*

*Primary Examiner* — Rachel A. Voorhies  
*Assistant Examiner* — Benjamin D. Wannemacher

(74) *Attorney, Agent, or Firm* — Lerner, David, Littenberg, Krumholz & Mentlik, LLP

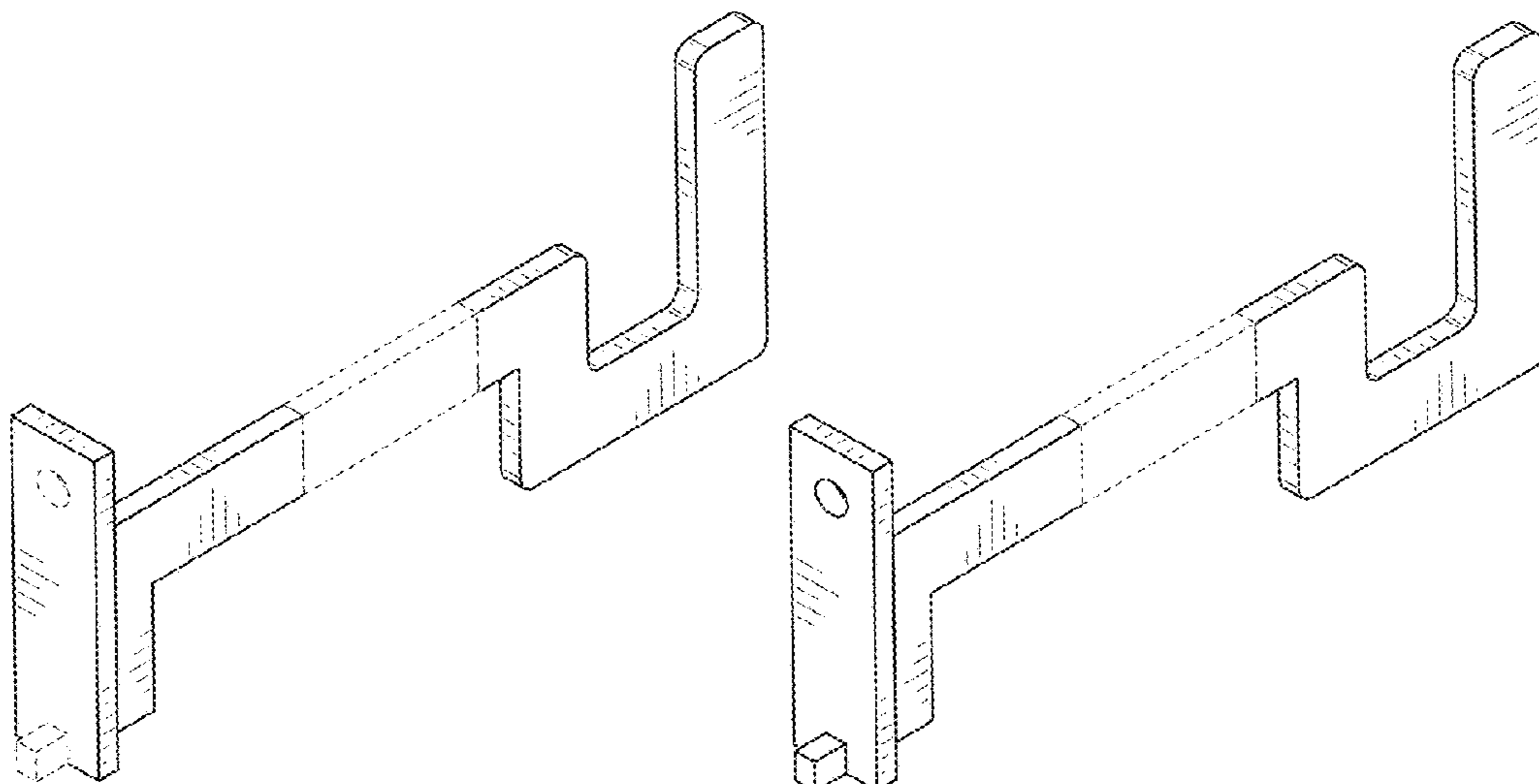
(57) **CLAIM**

I claim the ornamental design for a gardening implement, as shown and described.

**DESCRIPTION**

FIG. 1 is a top perspective view of a first exemplary embodiment of the gardening implement according to my new design, in accordance with the present invention; FIG. 2 is a right side plan view thereof, the left side plan view being a mirror image thereof; FIG. 3 is a top plan view thereof; FIG. 4 is a bottom plant view thereof; FIG. 5 is a first end plan view thereof; FIG. 6 is a second end plan view thereof; FIG. 7 is a top perspective view of a second exemplary embodiment of the gardening implement according to my new design, in accordance with the present invention; FIG. 8 is a right side plan view thereof, the left side plan view being a mirror image thereof; FIG. 9 is a top plan view thereof; FIG. 10 is a bottom plant view thereof; FIG. 11 is a first end plan view thereof; and, FIG. 12 is a second end plan view thereof. The dot-dash broken lines of FIGS. 1-4 and 7-10 illustrate a symbolic break such that the dash-dash broken lines portions between the dash-dot lines indicate indeterminate length and thus form no part of the claimed design. The other dash-dash broken lines in FIGS. 1-6 illustrate portions of the gardening implement that form no part of the claimed design.

**1 Claim, 2 Drawing Sheets**



(56)

**References Cited**

U.S. PATENT DOCUMENTS

D305,299 S \* 1/1990 Freeman ..... A01B 1/16  
D8/371  
D405,682 S \* 2/1999 Suher ..... D8/370  
D516,900 S \* 3/2006 Hoernig ..... A01B 1/18  
D8/367  
D644,090 S \* 8/2011 Sittig ..... D8/367  
D665,654 S \* 8/2012 Nommensen ..... B62C 5/02  
D8/367  
D669,766 S \* 10/2012 Mirer ..... B62C 5/02  
D8/370  
D831,471 S \* 10/2018 Kim ..... A01B 1/165  
D8/370  
D941,663 S \* 1/2022 Lazarini ..... A01B 1/16  
D8/367

\* cited by examiner

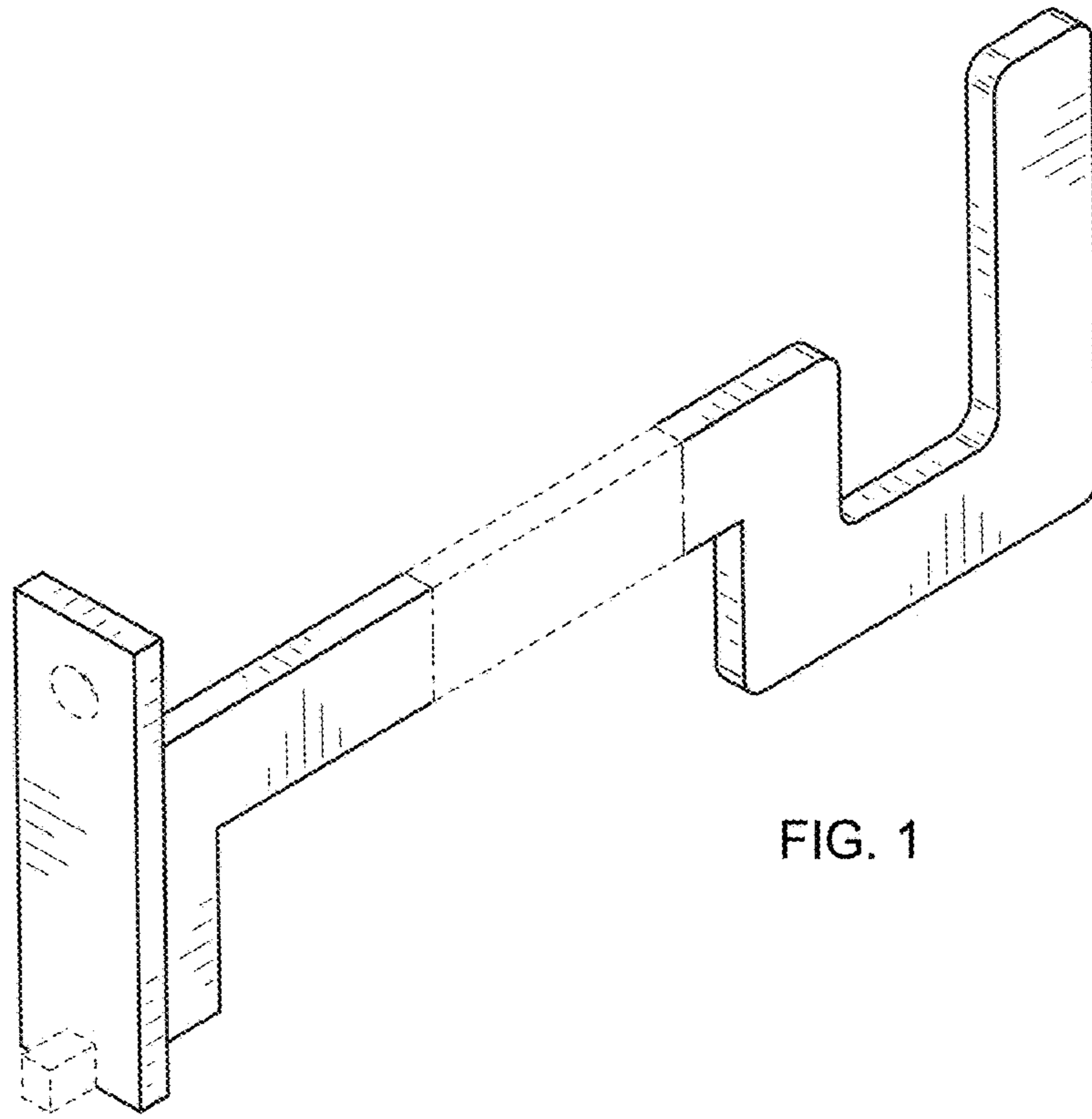


FIG. 1

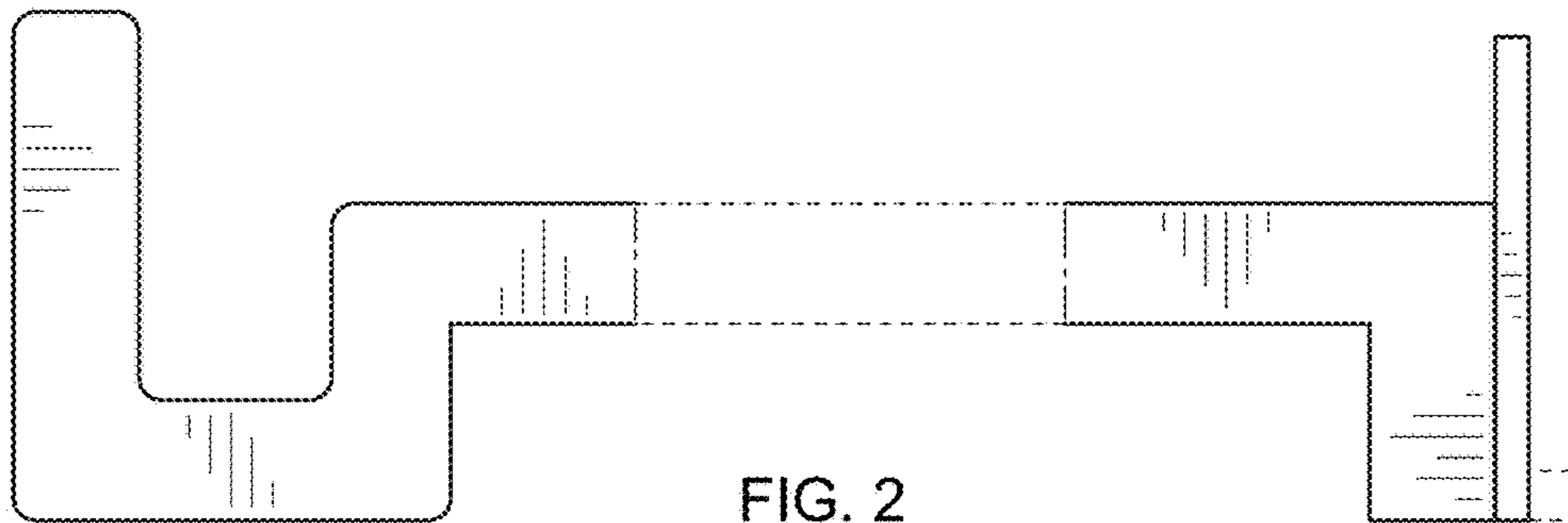


FIG. 2

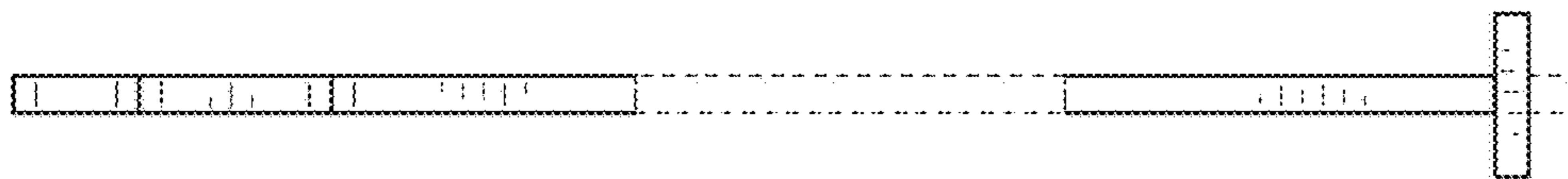


FIG. 3

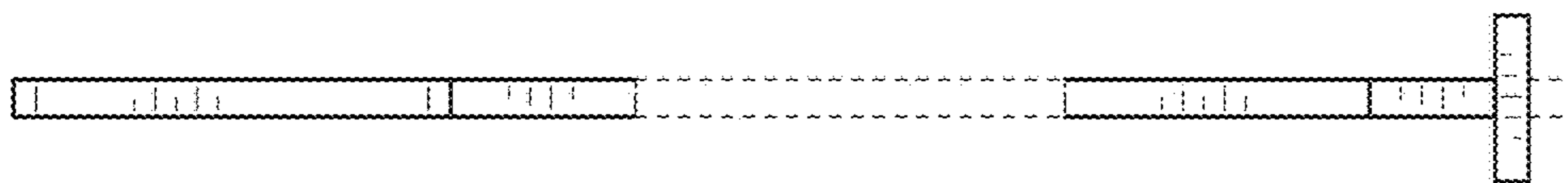


FIG. 4

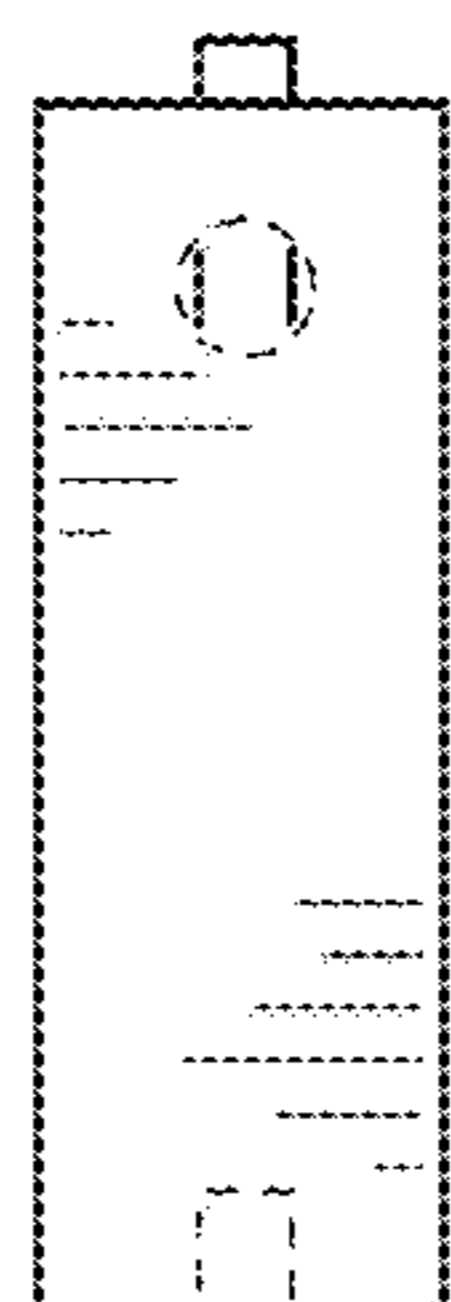


FIG. 5

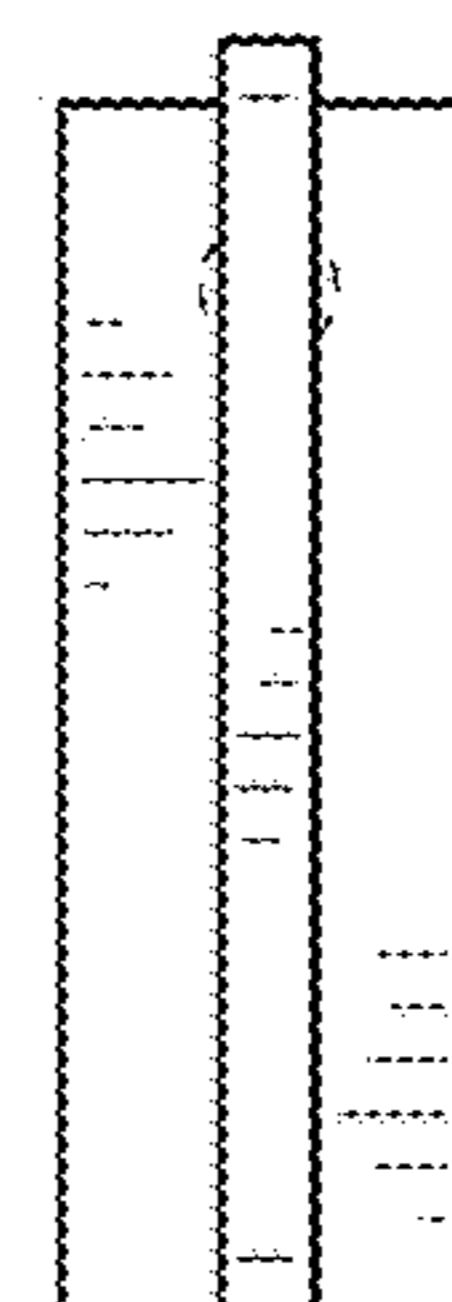


FIG. 6

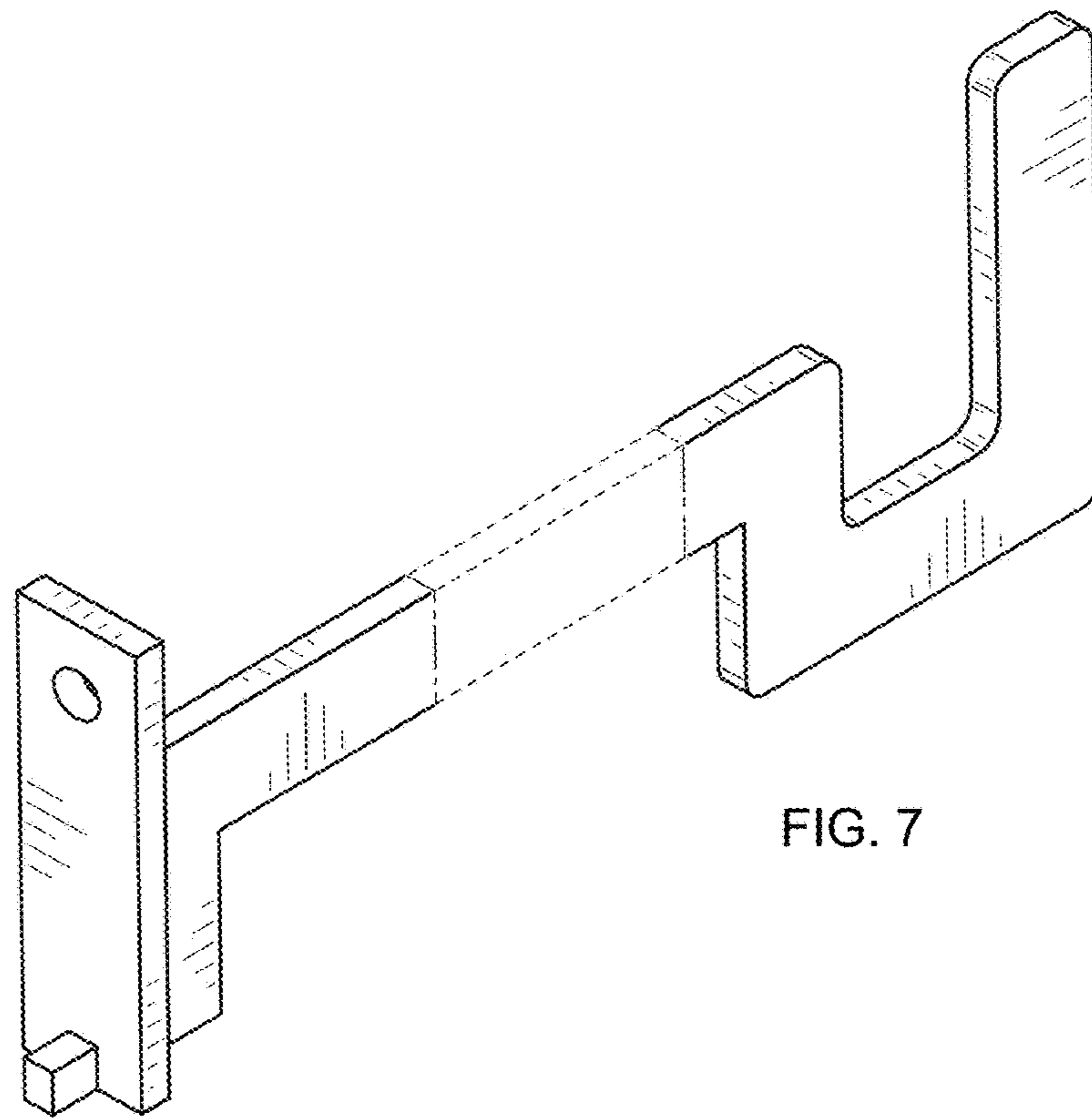


FIG. 7

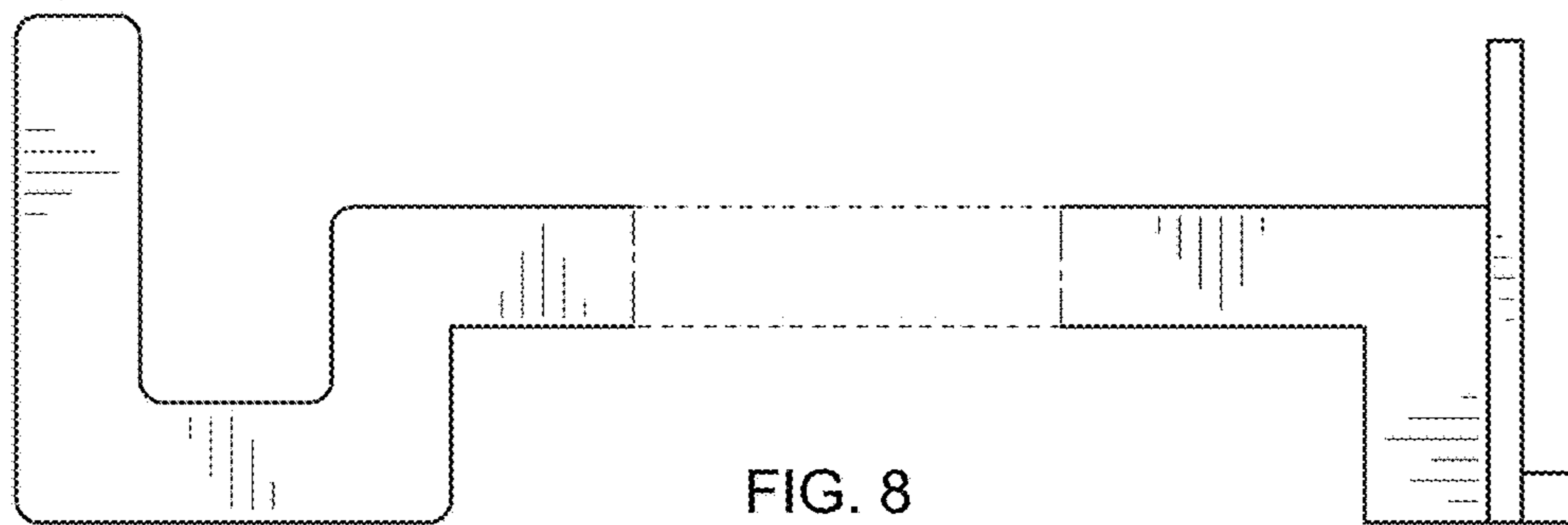


FIG. 8

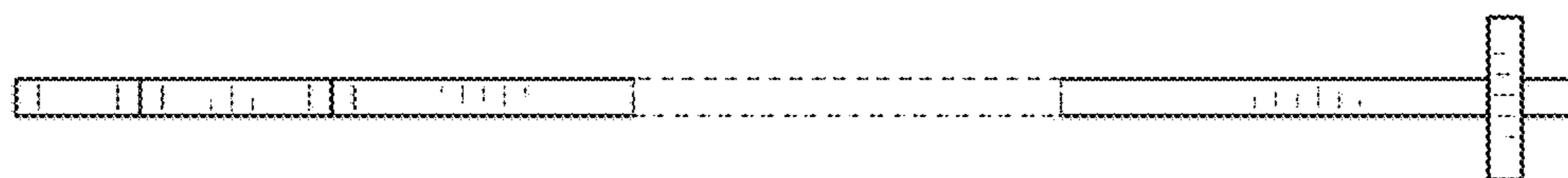


FIG. 9

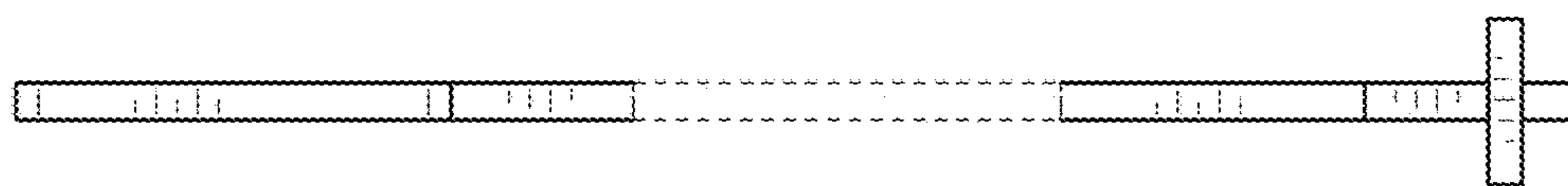


FIG. 10

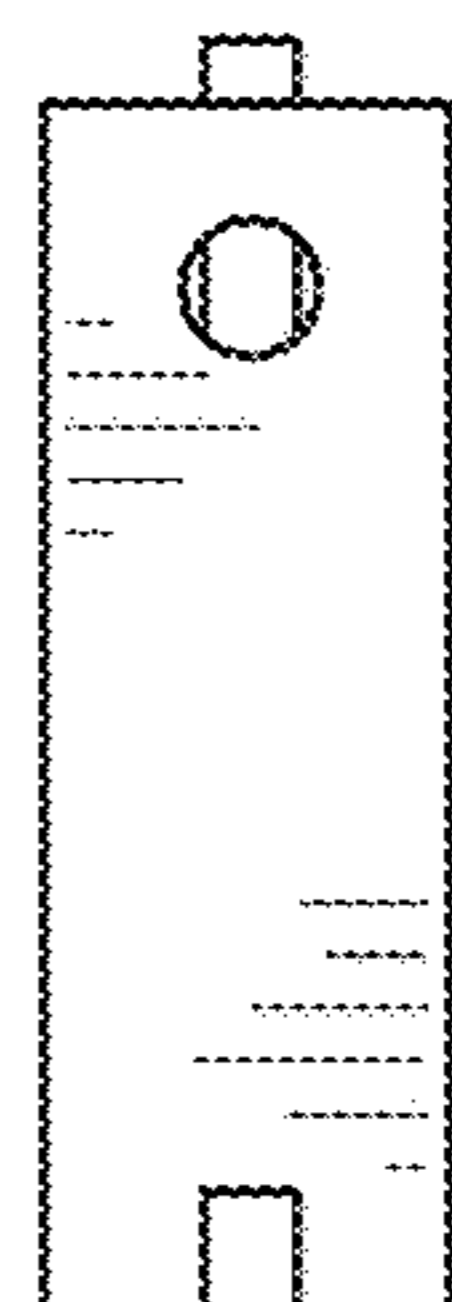


FIG. 11

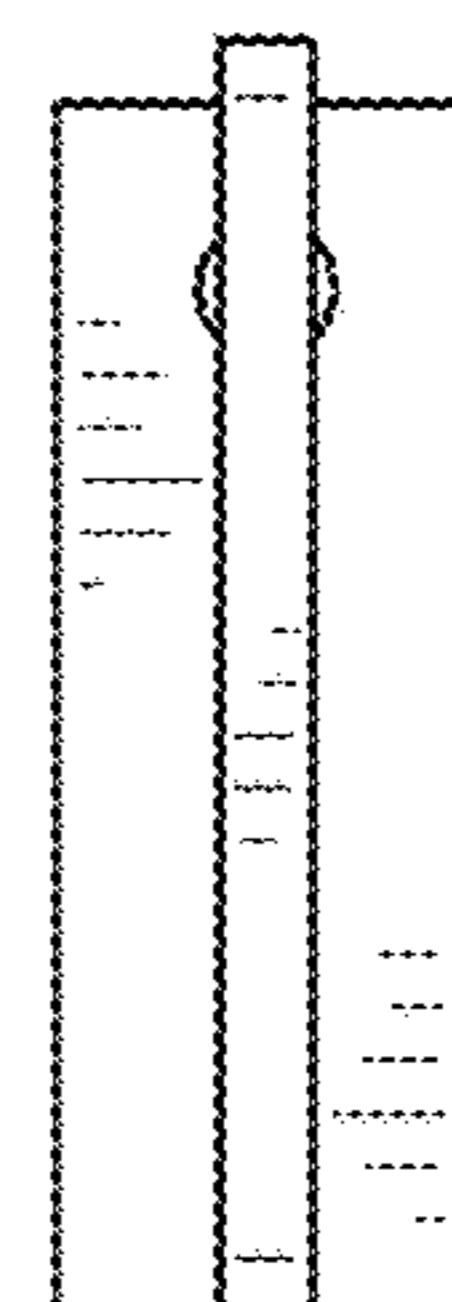


FIG. 12