



US00D974879S

(12) **United States Design Patent** (10) **Patent No.:** **US D974,879 S**
Wu (45) **Date of Patent:** **** Jan. 10, 2023**

(54) **CABLE HOLDER**

(71) Applicant: **WISTRON NEWEB CORPORATION**, Hsinchu (TW)

(72) Inventor: **Yu-Shuo Wu**, Hsinchu (TW)

(73) Assignee: **WISTRON NEWEB CORPORATION**, Hsinchu (TW)

(**) Term: **15 Years**

(21) Appl. No.: **29/779,559**

(22) Filed: **Apr. 20, 2021**

(30) **Foreign Application Priority Data**

Jan. 13, 2021 (TW) 110300201

(51) **LOC (14) Cl.** **09-06**

(52) **U.S. Cl.**
USPC **D8/356; D8/394; D8/382**

(58) **Field of Classification Search**
USPC **D8/349, 394, 395, 16, 71, 356, 367, 386, D8/382; D15/140; D13/154**

(Continued)

(56) **References Cited**

U.S. PATENT DOCUMENTS

D19,588 S * 1/1890 Alexander D8/396
D138,739 S * 9/1944 Harris D8/356

(Continued)

Primary Examiner — Calvin E Vansant

Assistant Examiner — Benjamin Lucas Gray

(74) *Attorney, Agent, or Firm* — McClure, Qualey & Rodack, LLP

(57) **CLAIM**

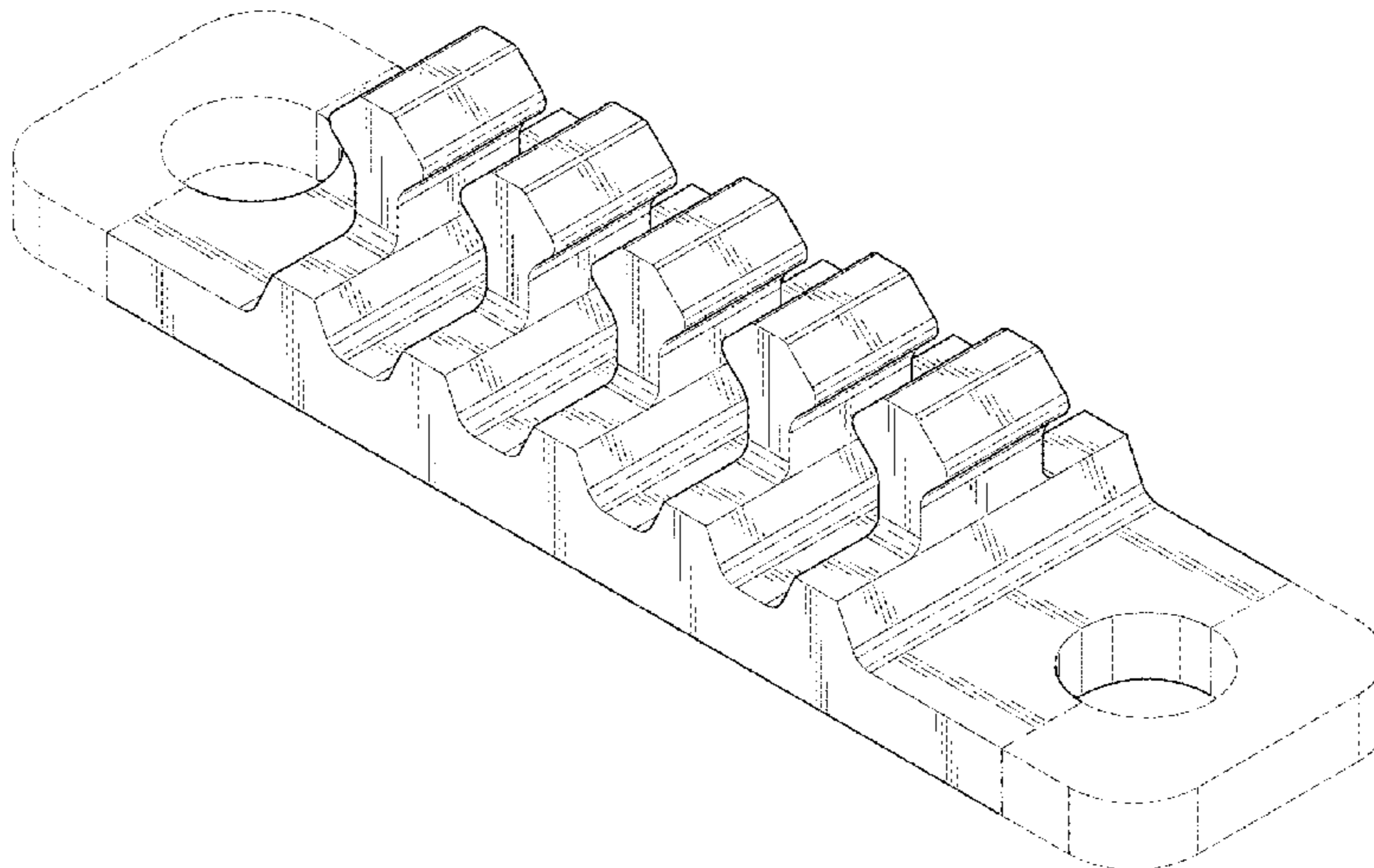
The ornamental design for a cable holder, as shown and described.

DESCRIPTION

FIG. 1 is a front, top, right perspective view of a cable holder according to a first embodiment, showing the claimed design;

FIG. 2 is a front elevation view of FIG. 1;
FIG. 3 is a rear elevation view of FIG. 1;
FIG. 4 is a left side elevation view of FIG. 1;
FIG. 5 is a right side elevation view of FIG. 1;
FIG. 6 is a top plan view of FIG. 1;
FIG. 7 is a bottom plan view of FIG. 1;
FIG. 8 is a rear, bottom, left perspective view of the cable holder according to the first embodiment, showing the claimed design;
FIG. 9 is a front, top, right perspective view of a cable holder according to a second embodiment, showing the claimed design;
FIG. 10 is a rear, bottom, left perspective view of the cable holder according to the second embodiment, showing the claimed design;
FIG. 11 is a front, top, right perspective view of a cable holder according to a third embodiment, showing the claimed design;
FIG. 12 is a rear, bottom, left perspective view of the cable holder according to the third embodiment, showing the claimed design;
FIG. 13 is a front, top, right perspective view of a cable holder according to a fourth embodiment, showing the claimed design;
FIG. 14 is a rear, bottom, left perspective view of the cable holder according to the fourth embodiment, showing the claimed design;
FIG. 15 is a front, top, right perspective view of a cable holder according to a fifth embodiment, showing the claimed design;
FIG. 16 is a rear, bottom, left perspective view of the cable holder according to the fifth embodiment, showing the claimed design;
FIG. 17 is a front, top, right perspective view of a cable holder according to a sixth embodiment, showing the claimed design;
FIG. 18 is a rear, bottom, left perspective view of the cable holder according to the sixth embodiment, showing the claimed design;
FIG. 19 is a front, top, right perspective view of a cable holder according to a seventh embodiment, showing the claimed design; and,
FIG. 20 is a rear, bottom, left perspective view of the cable holder according to the seventh embodiment, showing the claimed design.

(Continued)



The dashed broken lines in the drawing depict portions of the cable holder that form no part of the claimed design. The dot-dot-dash lines depict boundaries of the dashed broken lines that form no part of the claimed design.

1 Claim, 19 Drawing Sheets

(58) Field of Classification Search

CPC F16B 2/205; F16B 2/22; F16B 2/26; F16B 2/04; F16B 2/06; F16B 5/0614; F16B 5/0621; F16B 2005/0678; F16B 9/02; F16B 7/04; B65H 57/17; B63B 21/04

See application file for complete search history.

(56) References Cited

U.S. PATENT DOCUMENTS

D229,484 S * 12/1973 Brown D8/394
D269,851 S * 7/1983 Kimura D8/356

D272,785 S * 2/1984 Rumbaugh D6/552
D376,309 S * 12/1996 Takai D8/356
6,360,051 B1 * 3/2002 Daoud G02B 6/4471
385/136
D520,863 S * 5/2006 Schwartz D8/394
D638,692 S * 5/2011 Hoek D8/356
D728,349 S * 5/2015 Lake D8/356
D743,048 S * 11/2015 Kuran D24/231
D755,043 S * 5/2016 Bailey D8/394
D777,253 S * 1/2017 Condren D19/65
D790,127 S * 6/2017 Verleur D6/552
D832,346 S * 10/2018 Condren D19/65
D907,988 S * 1/2021 Yu D8/356
D944,075 S * 2/2022 Shang D8/367
D944,629 S * 3/2022 Barrett D8/356
D947,010 S * 3/2022 Lv D8/356
2004/0118982 A1 * 6/2004 Shillings F16L 3/223
248/68.1
2020/0103053 A1 * 4/2020 Weber H02G 3/32

* cited by examiner

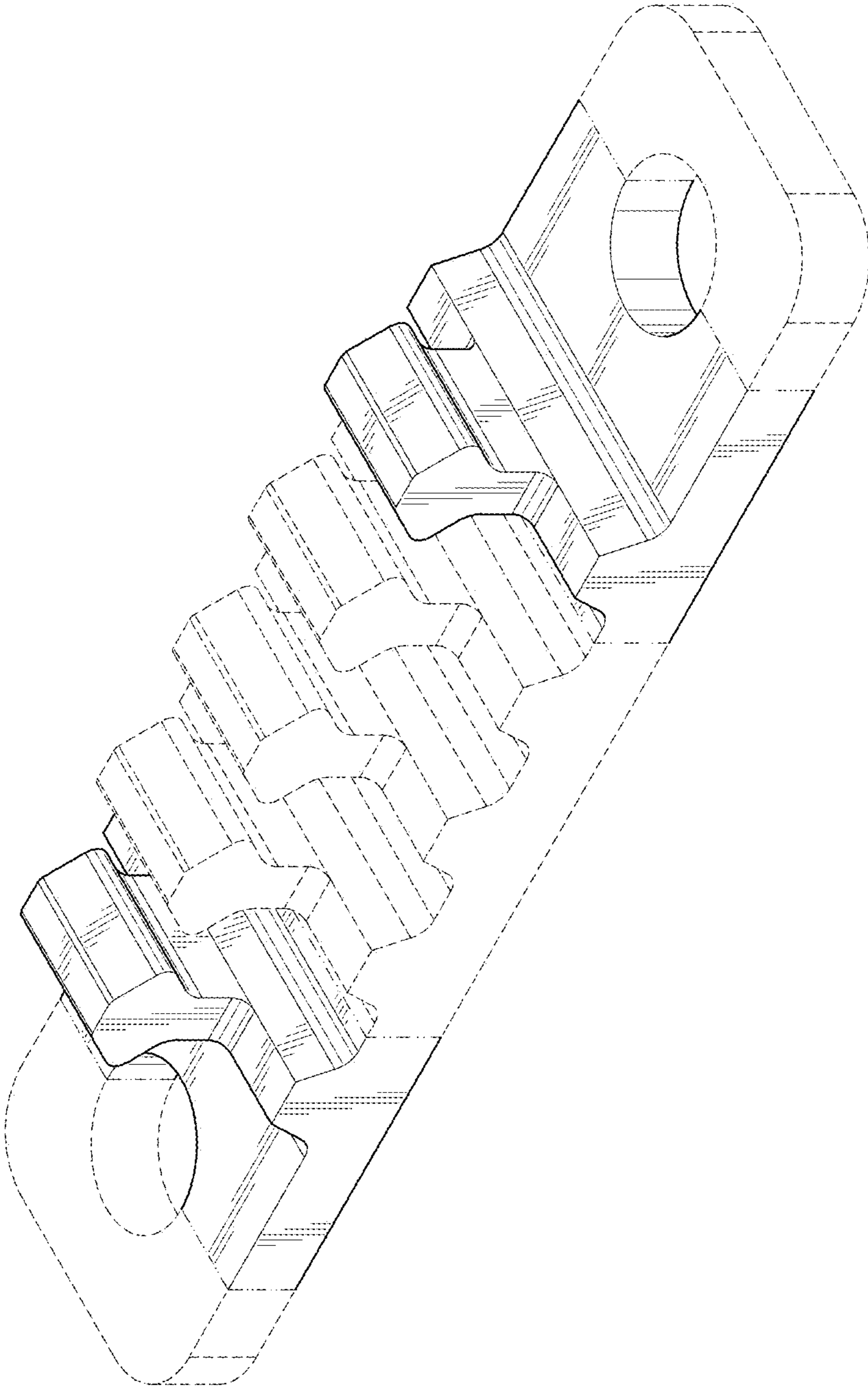


FIG. 1

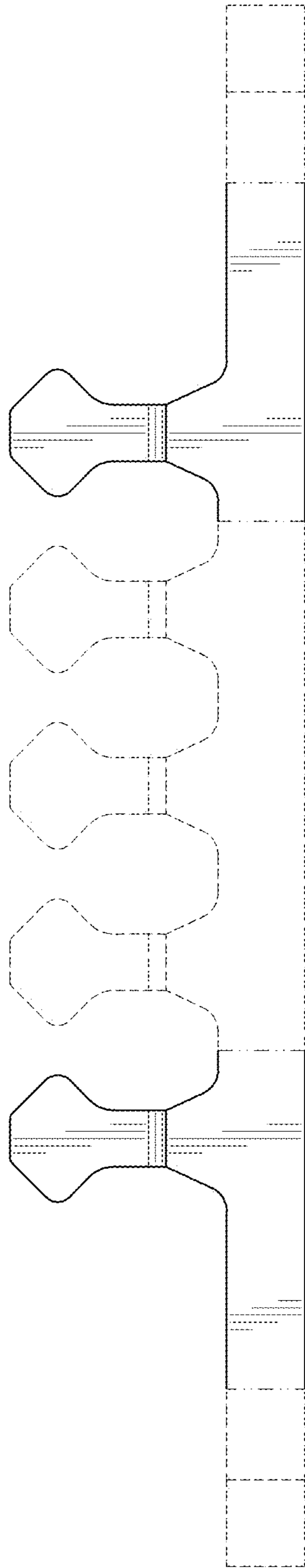


FIG. 2

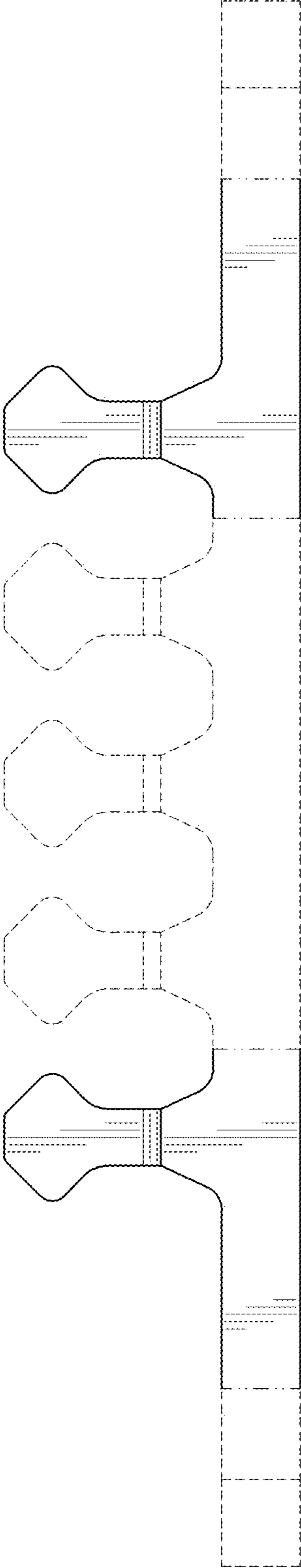


FIG. 3

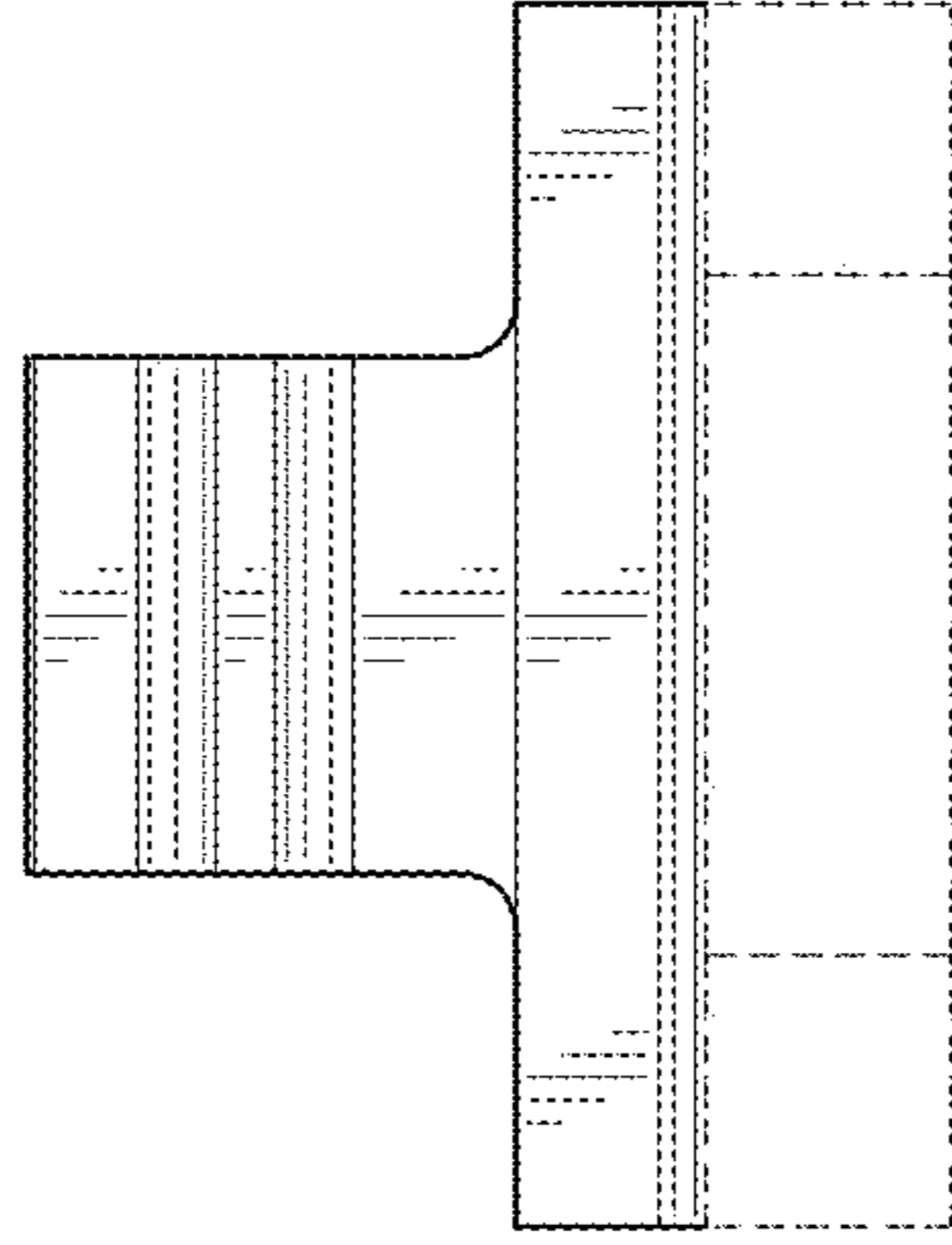


FIG. 5

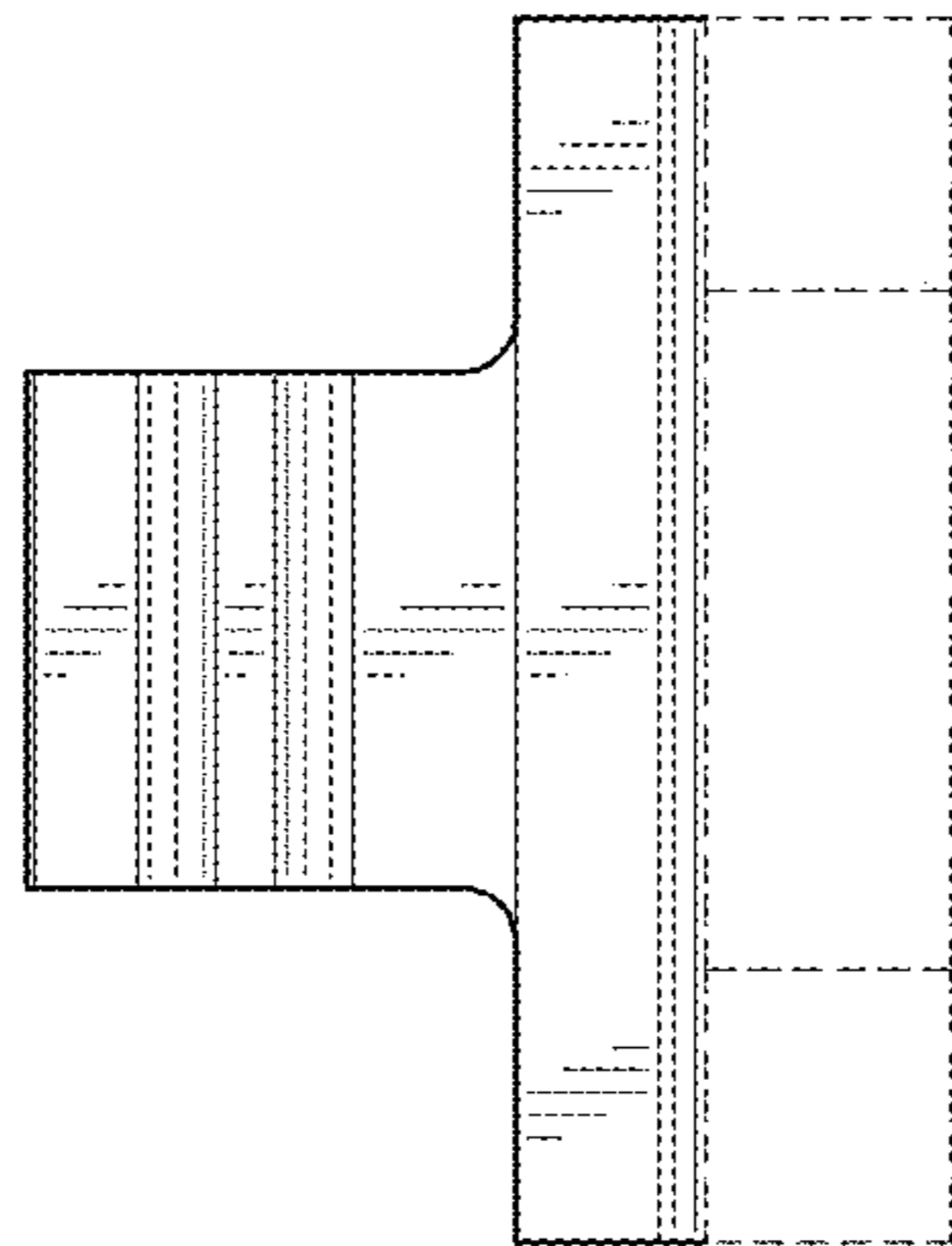


FIG. 4

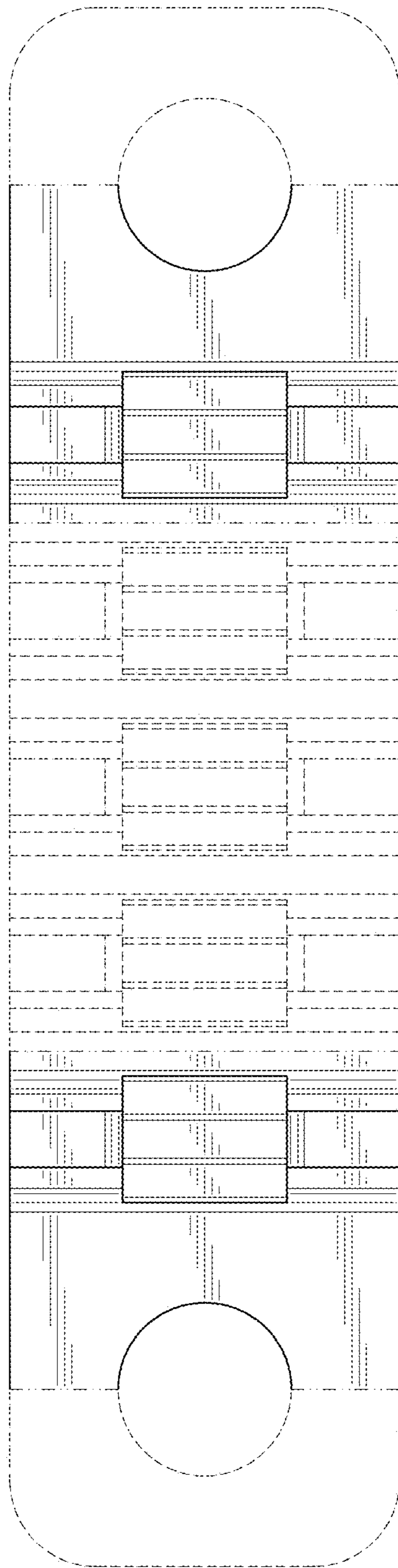


FIG. 6

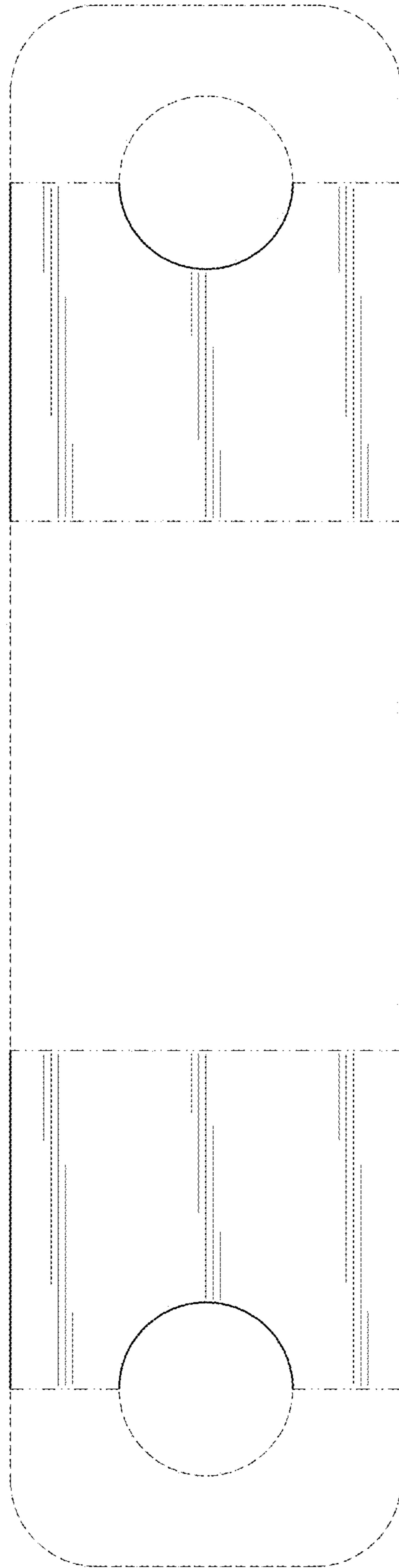


FIG. 7

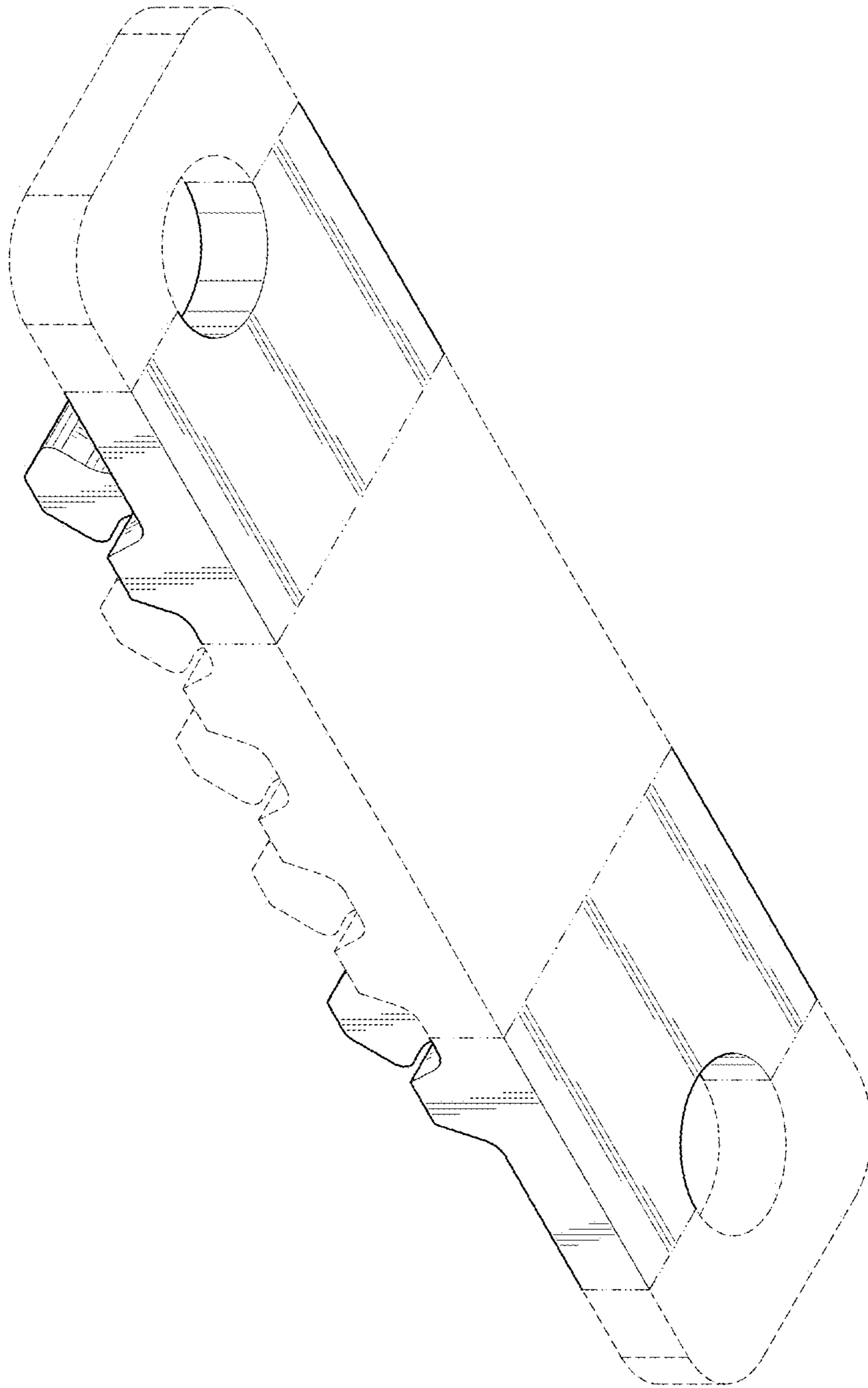


FIG. 8

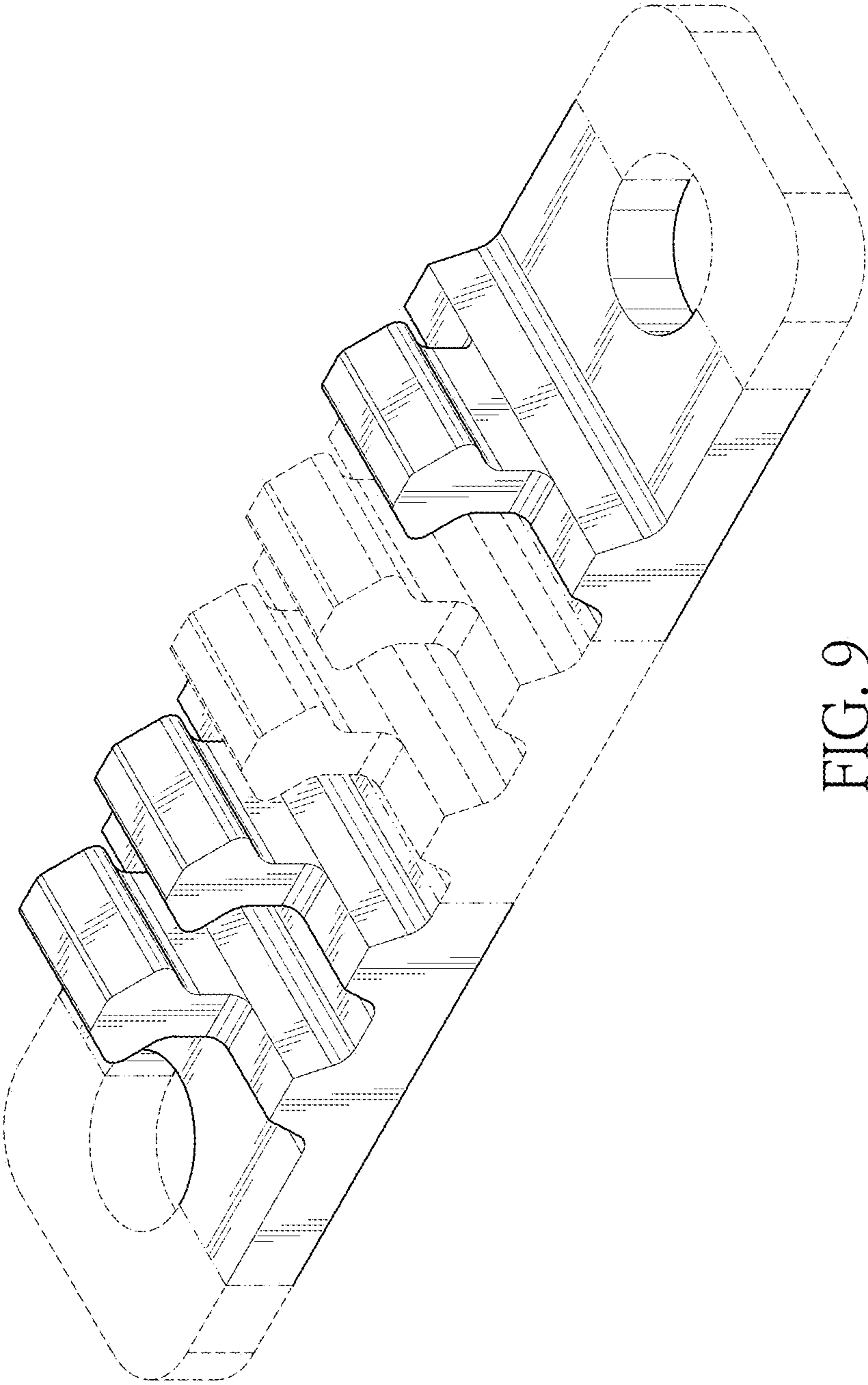


FIG. 9

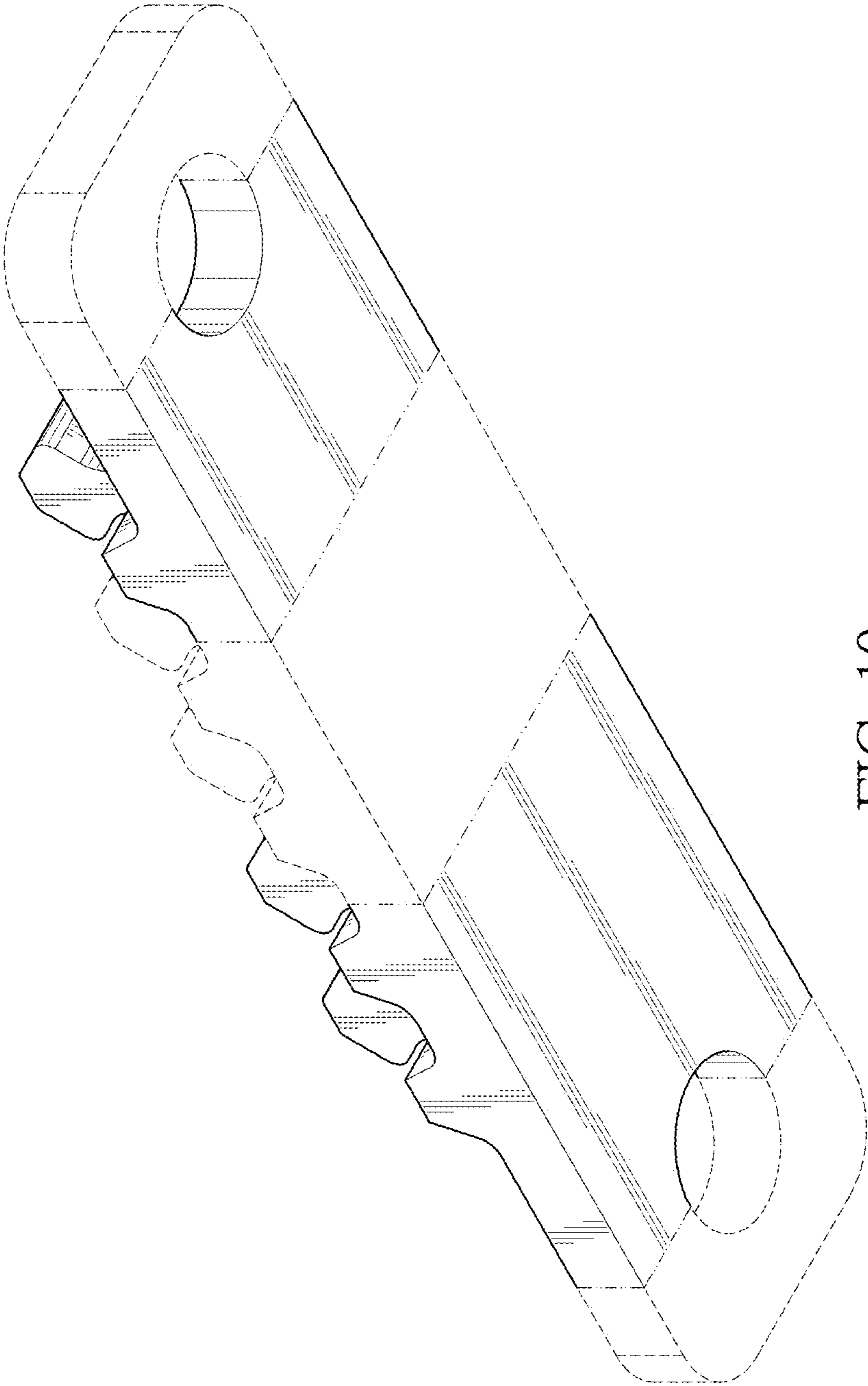


FIG. 10

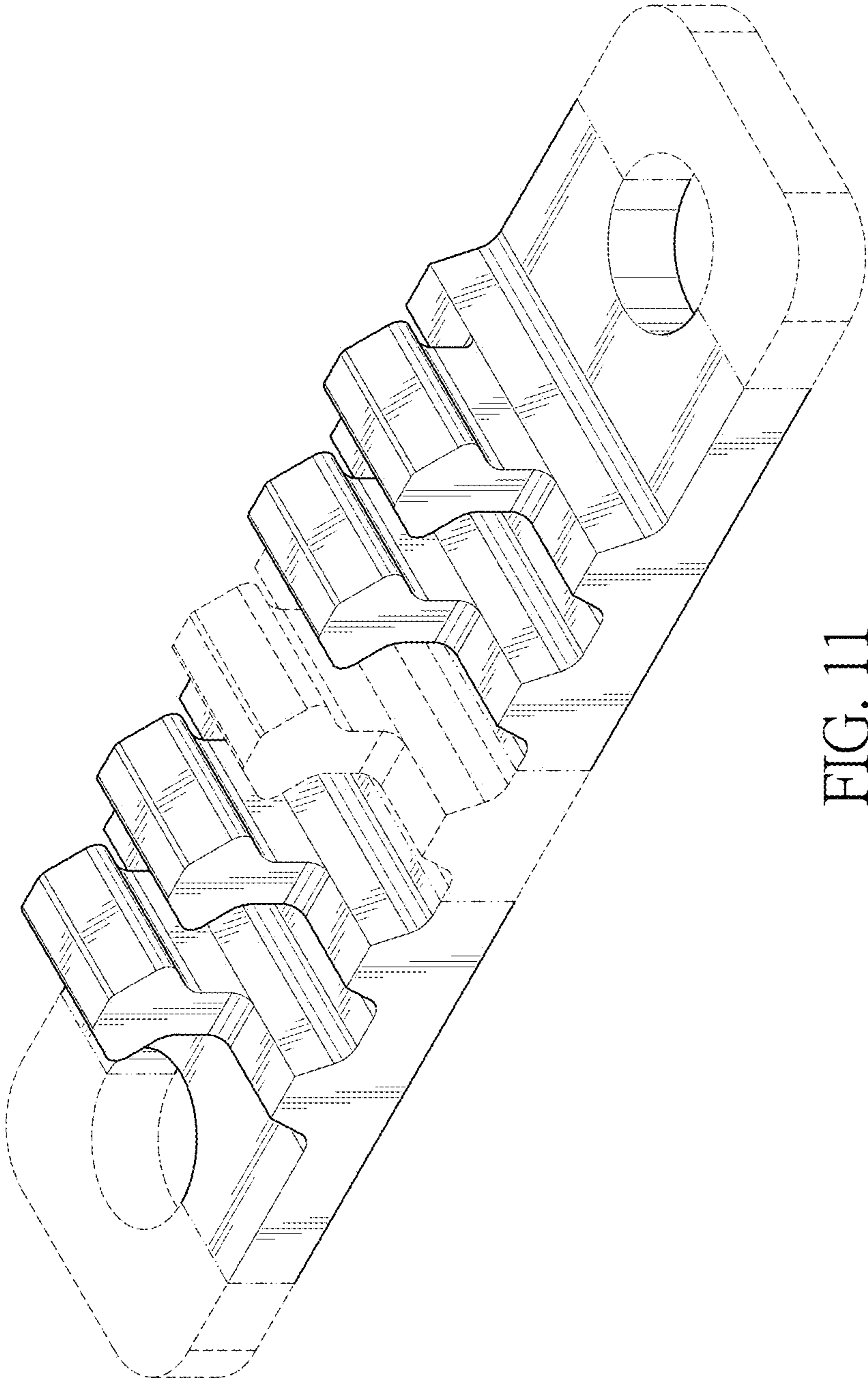


FIG. 11

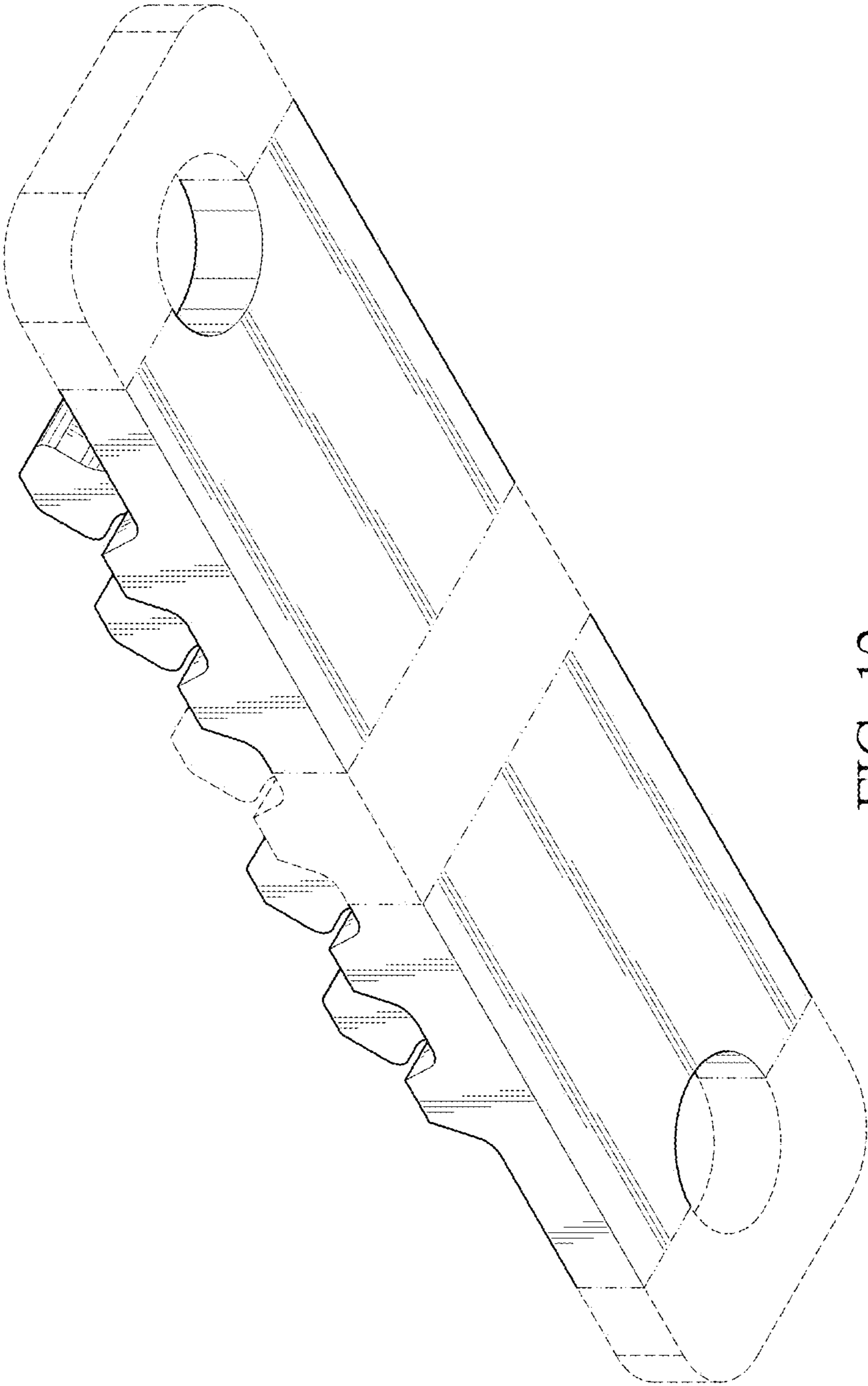


FIG. 12

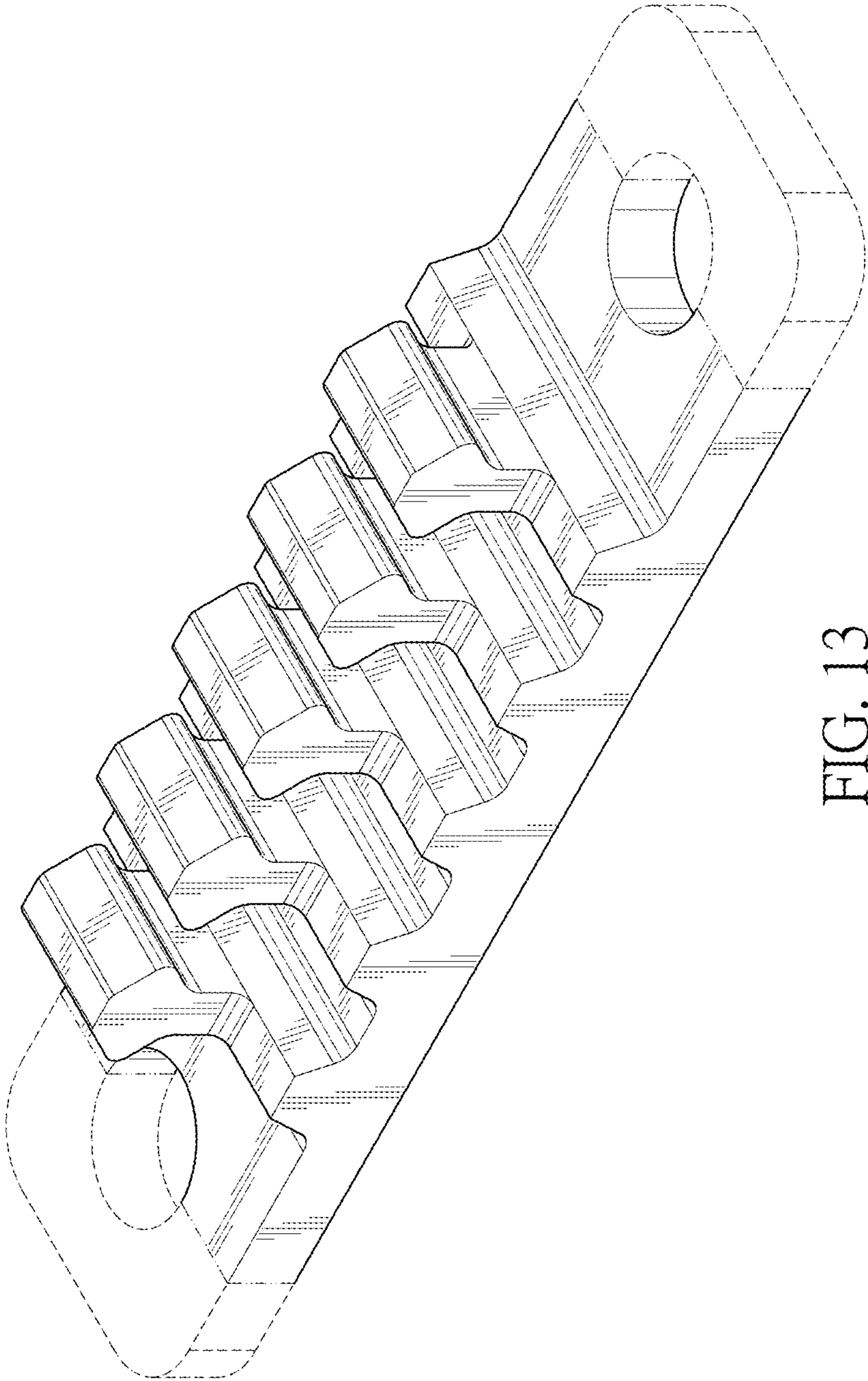


FIG. 13

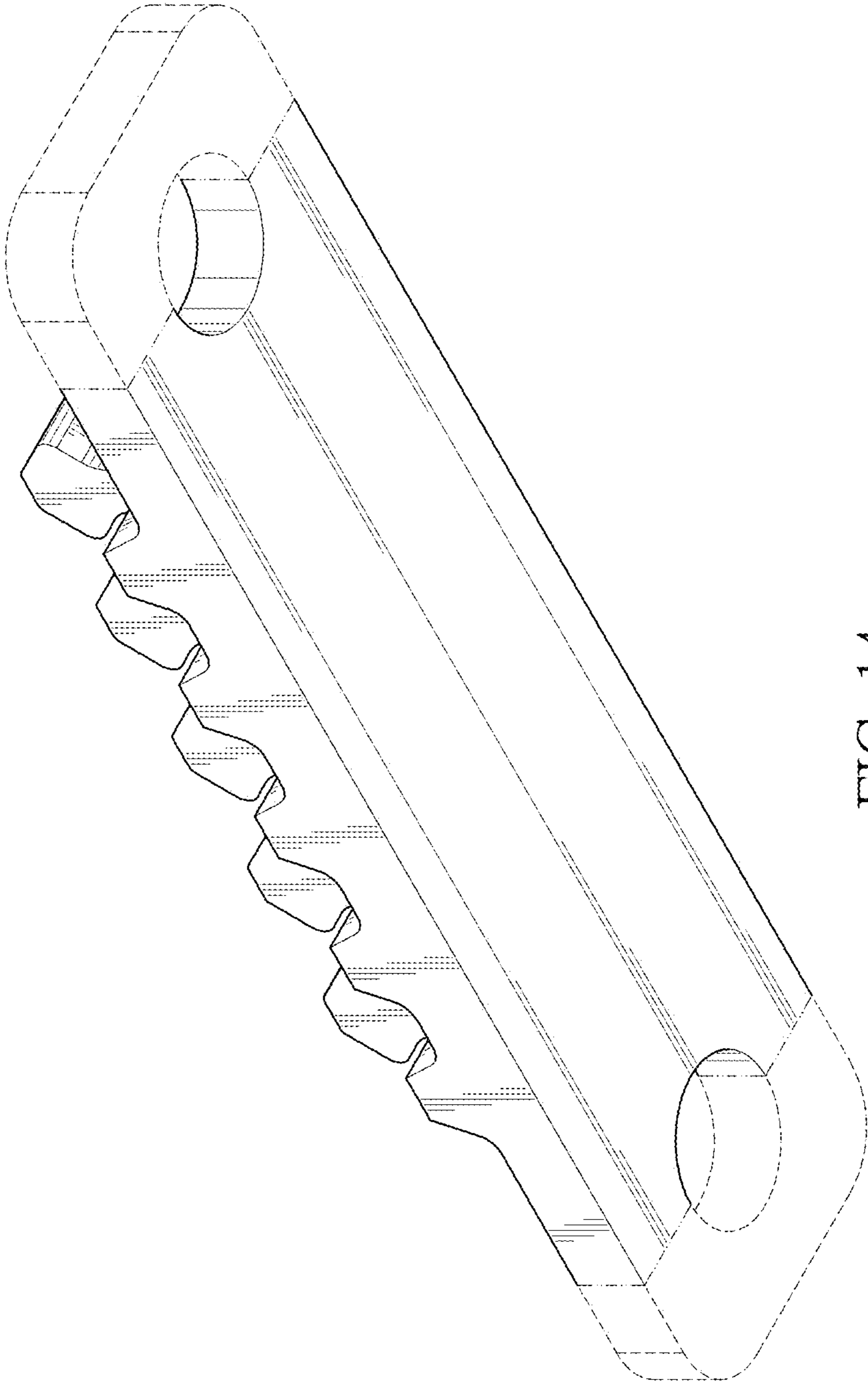


FIG. 14

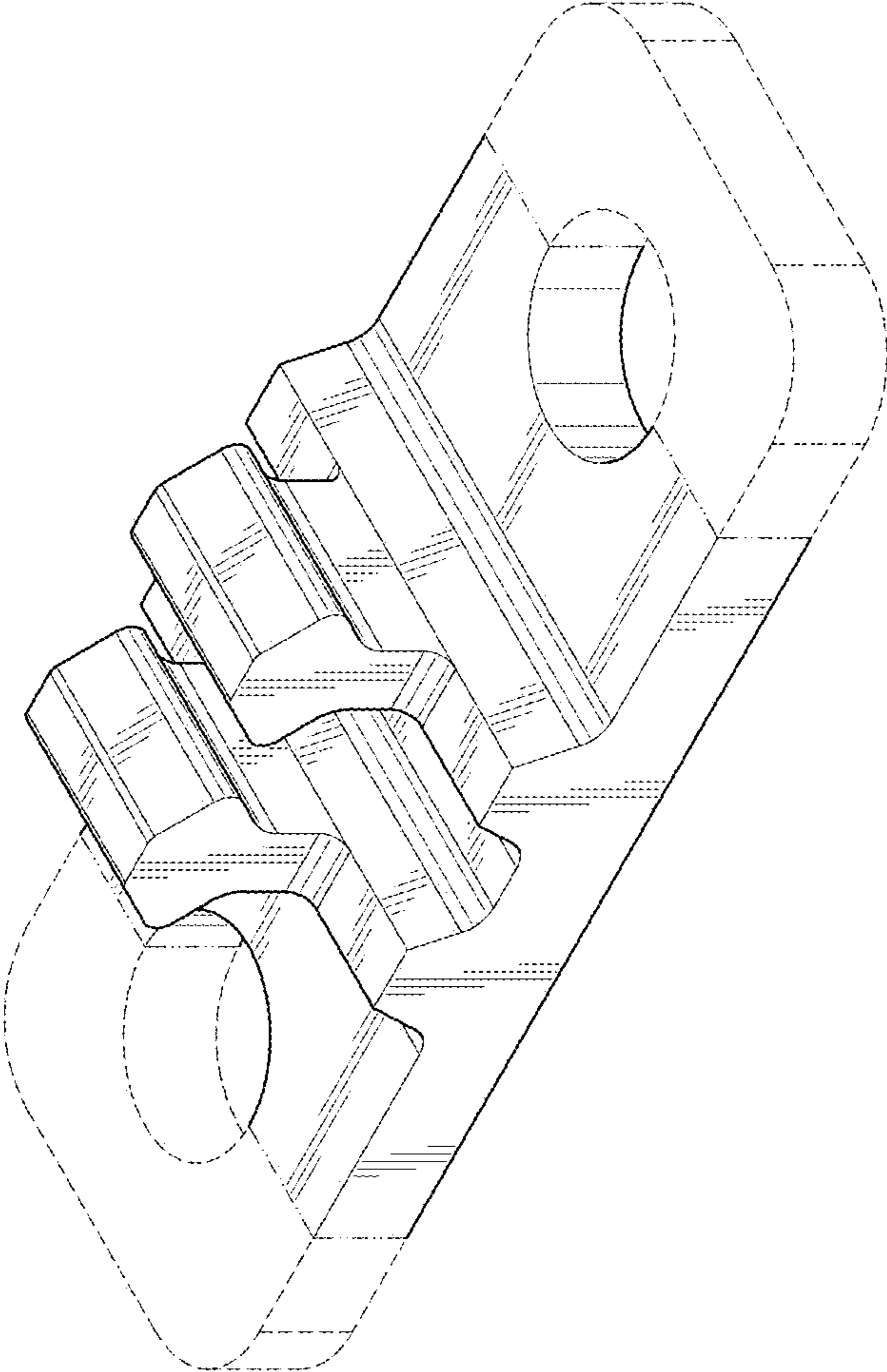


FIG. 15

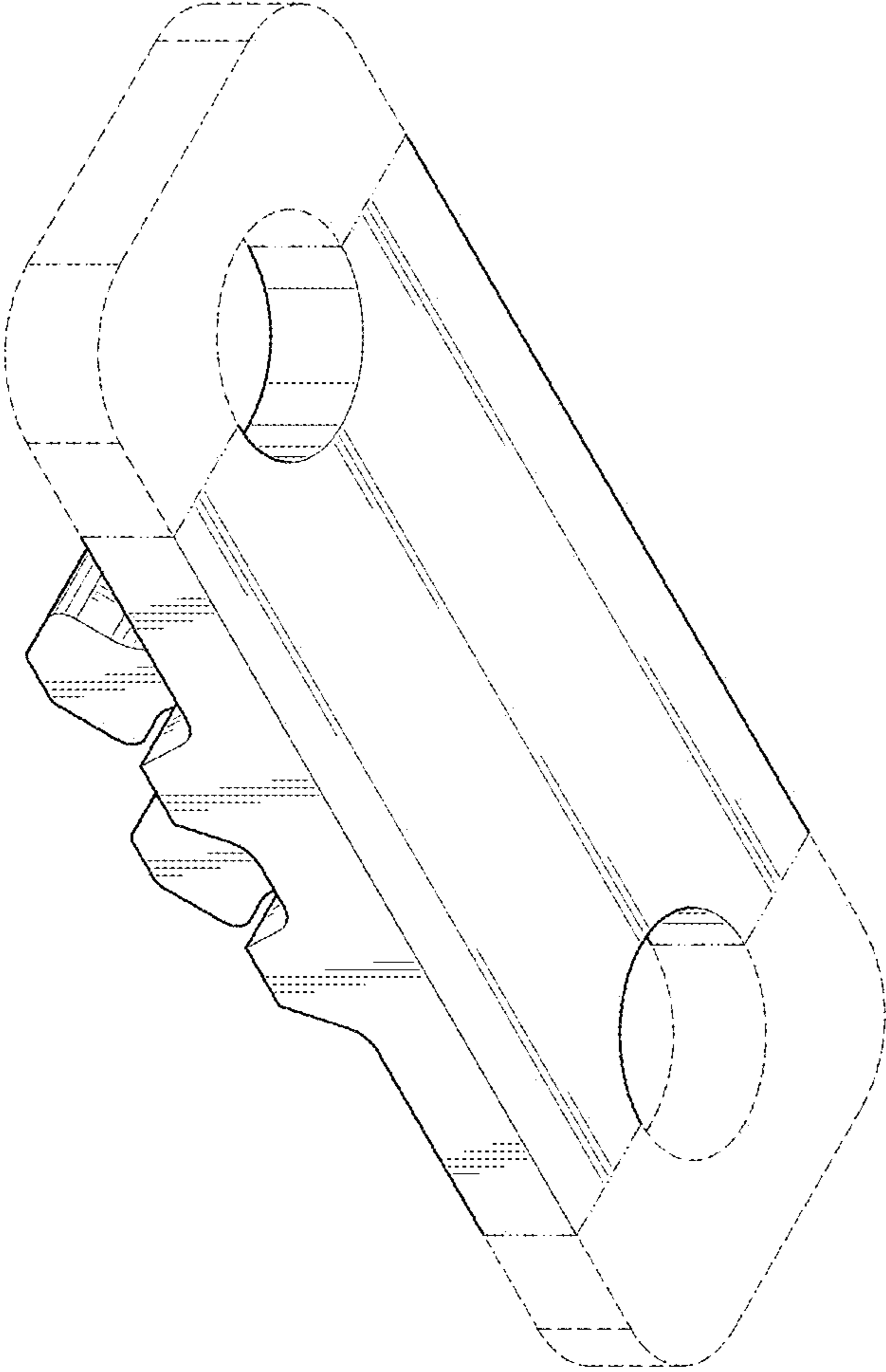


FIG. 16

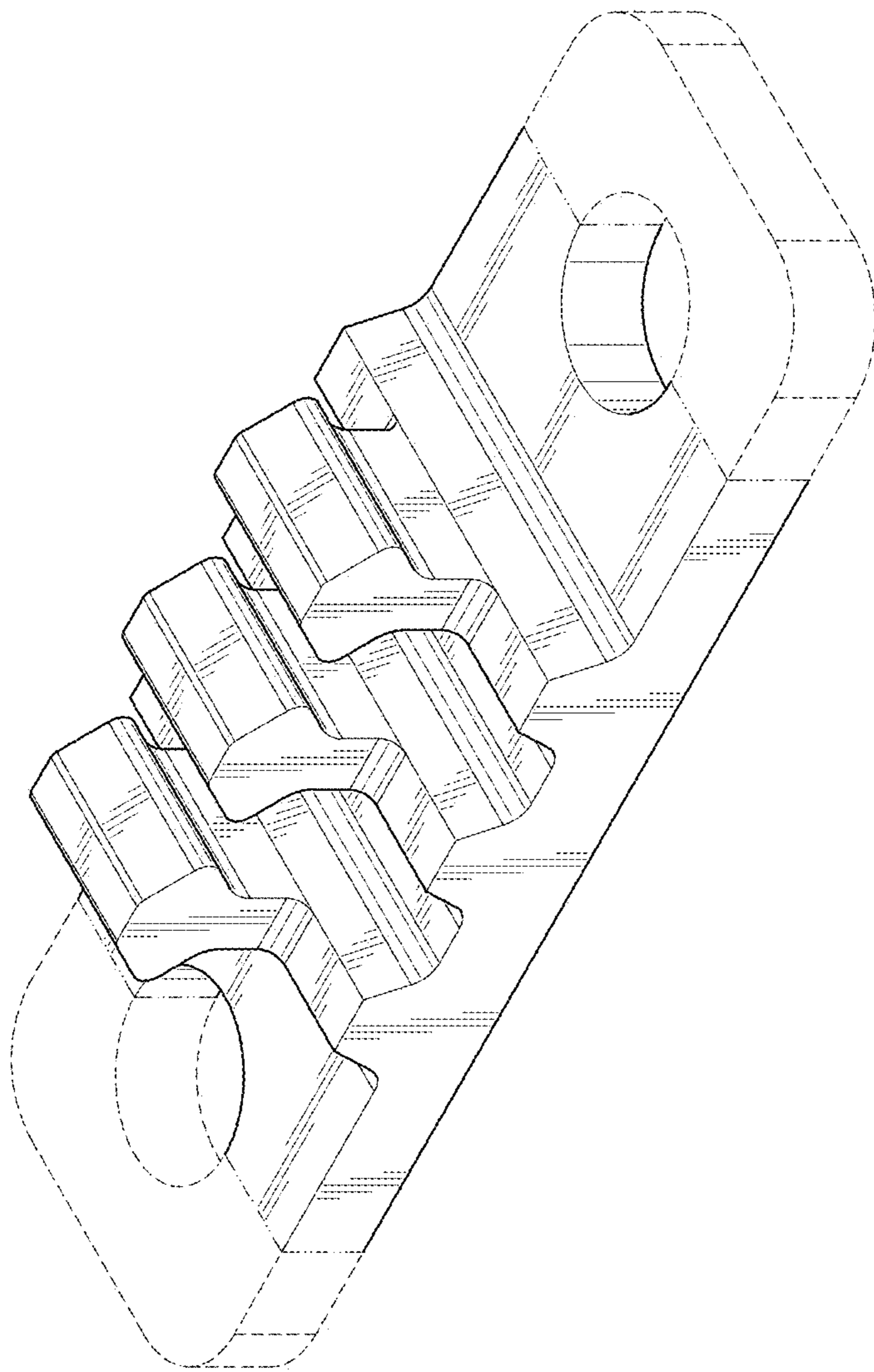


FIG. 17

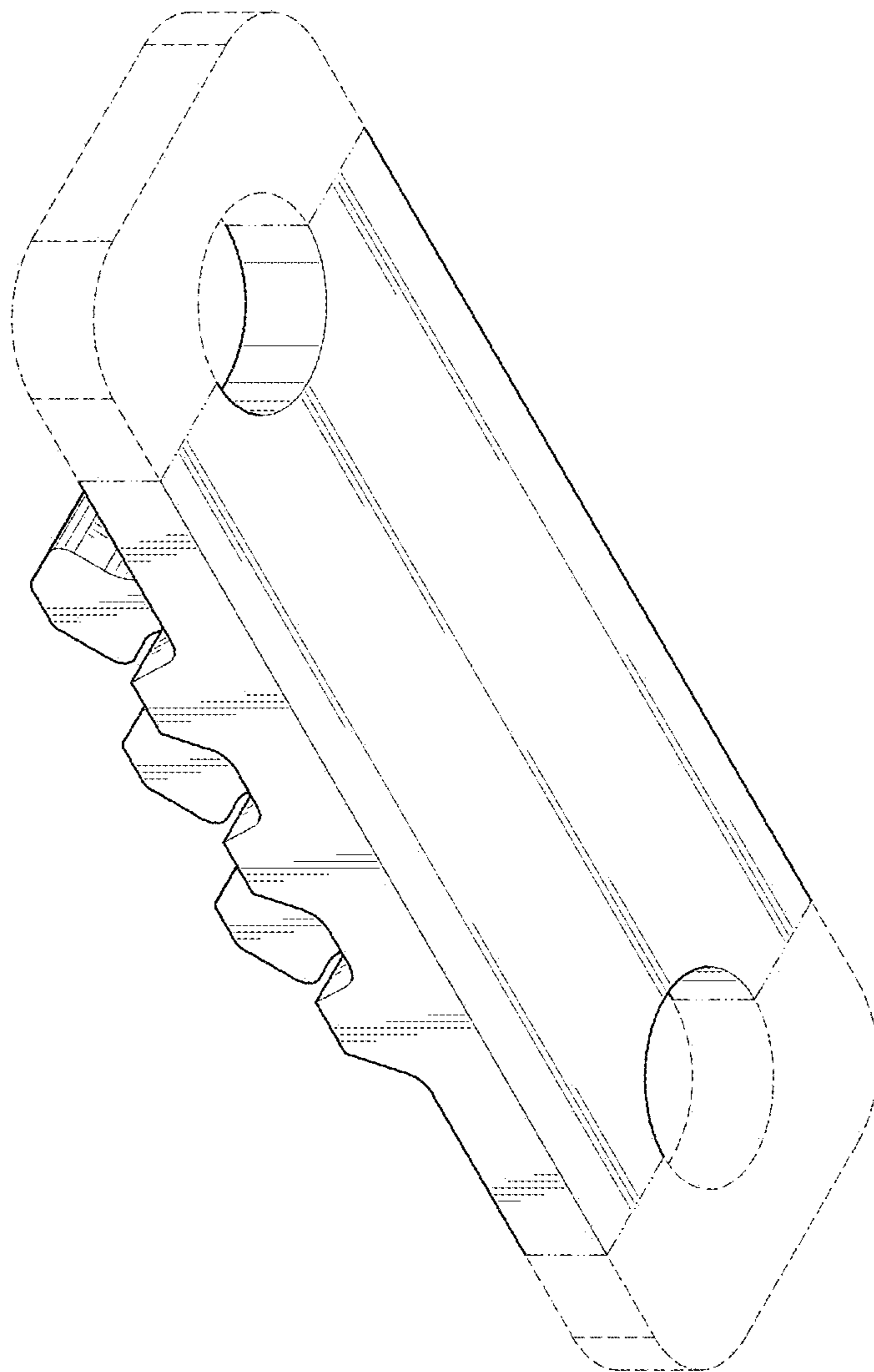


FIG. 18

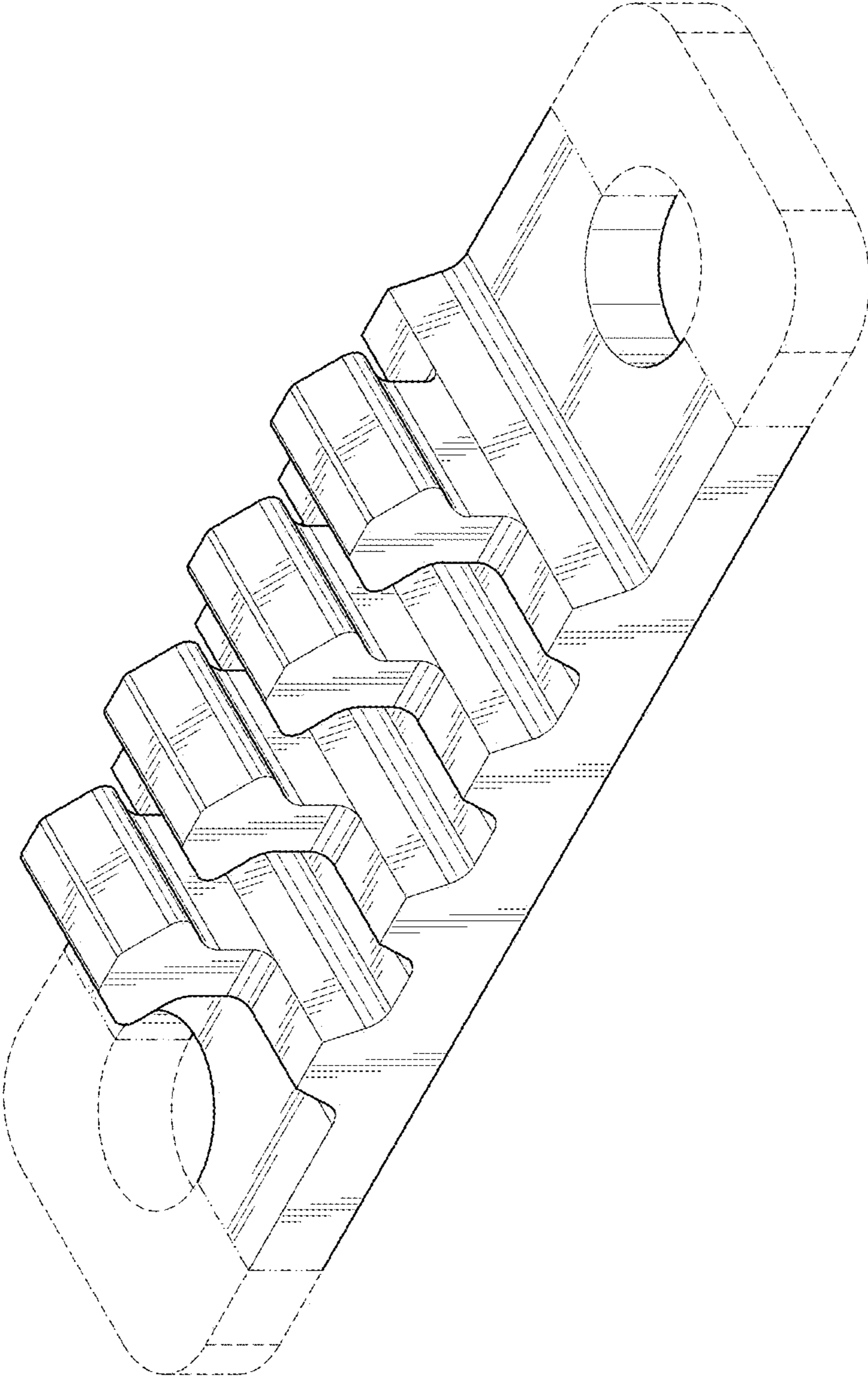


FIG. 19

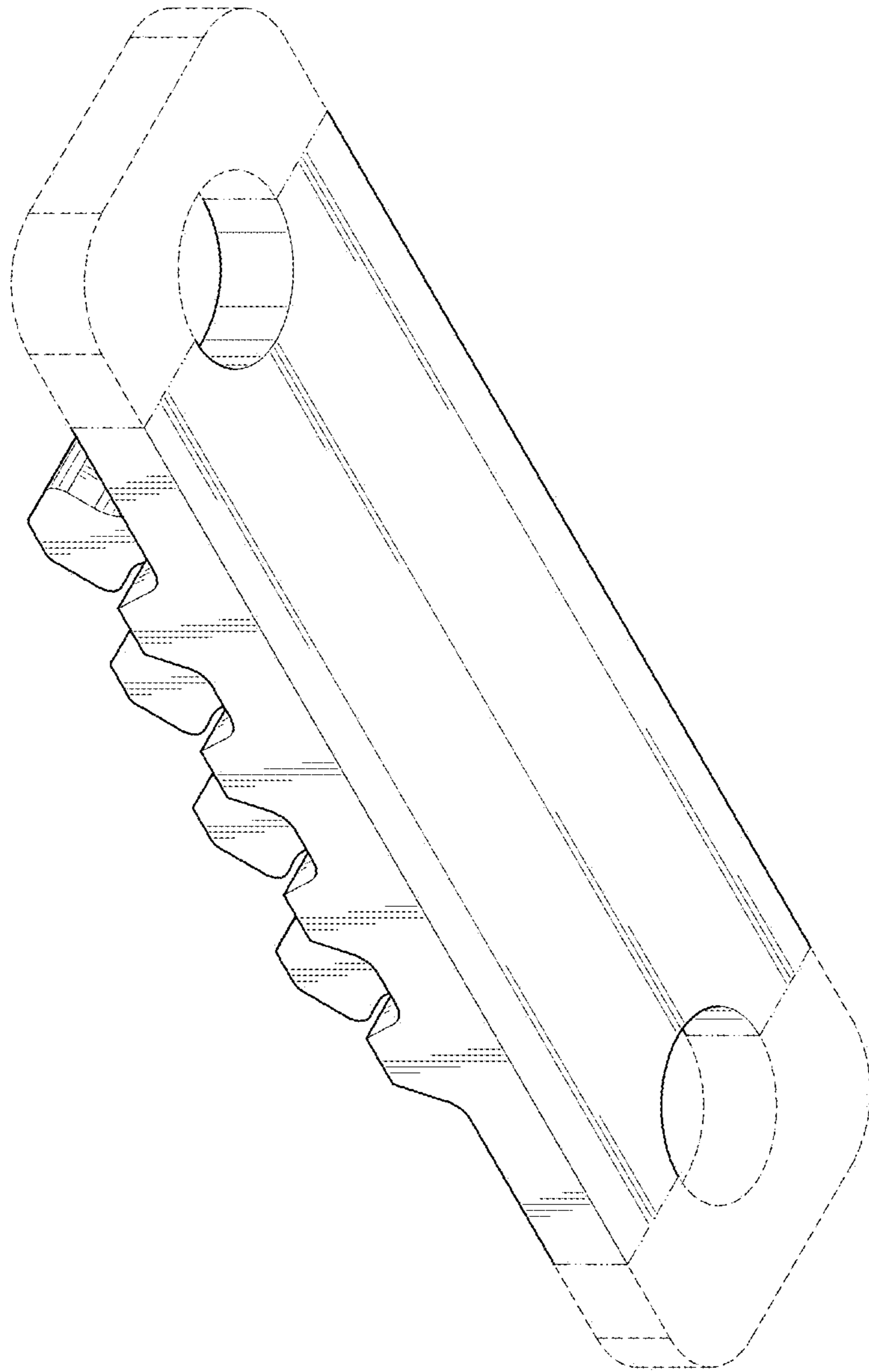


FIG. 20