



US00D974878S

(12) **United States Design Patent**
Bond

(10) **Patent No.:** **US D974,878 S**

(45) **Date of Patent:** **** Jan. 10, 2023**

(54) **WALL SPACER**

(71) Applicant: **Arthur H Bond**, Sunrise, FL (US)

(72) Inventor: **Arthur H Bond**, Sunrise, FL (US)

(**) Term: **15 Years**

(21) Appl. No.: **29/755,043**

(22) Filed: **Oct. 16, 2020**

(51) **LOC (14) Cl.** **08-05**

(52) **U.S. Cl.**
USPC **D8/354**

(58) **Field of Classification Search**
USPC D8/354, 358, 363, 366, 373, 375, 379,
D8/382; D12/223, 414, 400, 406;
D7/624.1-642.3, 633; D24/127-128, 130
CPC E04C 5/201; E04C 5/168; E04C 5/203;
E04C 5/205; A47B 1/10; A47B 21/03;
B65H 75/4471; B65H 2701/34; B65H
75/40; B65H 75/4473

See application file for complete search history.

(56) **References Cited**

U.S. PATENT DOCUMENTS

D230,728 S *	3/1974	Richman	D8/383
D401,329 S *	11/1998	Bierman	D24/128
D404,815 S *	1/1999	Bierman	D24/128
D424,691 S *	5/2000	Yavitz	D24/189
6,553,737 B1	4/2003	Borg		
D547,862 S *	7/2007	Dikeman	D24/128
D552,732 S *	10/2007	Bierman	D24/128
8,051,619 B2	11/2011	Hohmann, Jr.		
D670,996 S *	11/2012	Rogers	D8/349
D719,822 S *	12/2014	Van Es	D8/394
D780,914 S *	3/2017	Kyvik	D24/130
D821,185 S *	6/2018	Joshi	D8/381

D881,388 S *	4/2020	Ziemann	D24/128
D891,903 S *	8/2020	Cotton	D8/356
D896,617 S *	9/2020	Zhan	D8/354
D905,552 S *	12/2020	Milbrandt	D20/28
D928,312 S *	8/2021	Turnbull	D24/128
D928,947 S *	8/2021	Gugliotti	D24/128
D934,433 S *	10/2021	Sieracki	D24/189
D954,531 S *	6/2022	LaPorta	D8/349
D957,633 S *	7/2022	Haynes	D24/128
D957,937 S *	7/2022	Milbrandt	D20/28
2006/0059804 A1	3/2006	Brown		

* cited by examiner

Primary Examiner — Karen S Acker

Assistant Examiner — Elizabeth S Ko

(74) *Attorney, Agent, or Firm* — The Rapacke Law Group, P.A.

(57) **CLAIM**

The ornamental design for a wall spacer, as shown and described.

DESCRIPTION

FIG. 1 is a perspective view of a wall spacer, showing the new design;

FIG. 2 is a front elevational view of the wall spacer thereof;

FIG. 3 is a rear elevational view of the wall spacer thereof;

FIG. 4 is a left side elevational view of the wall spacer thereof;

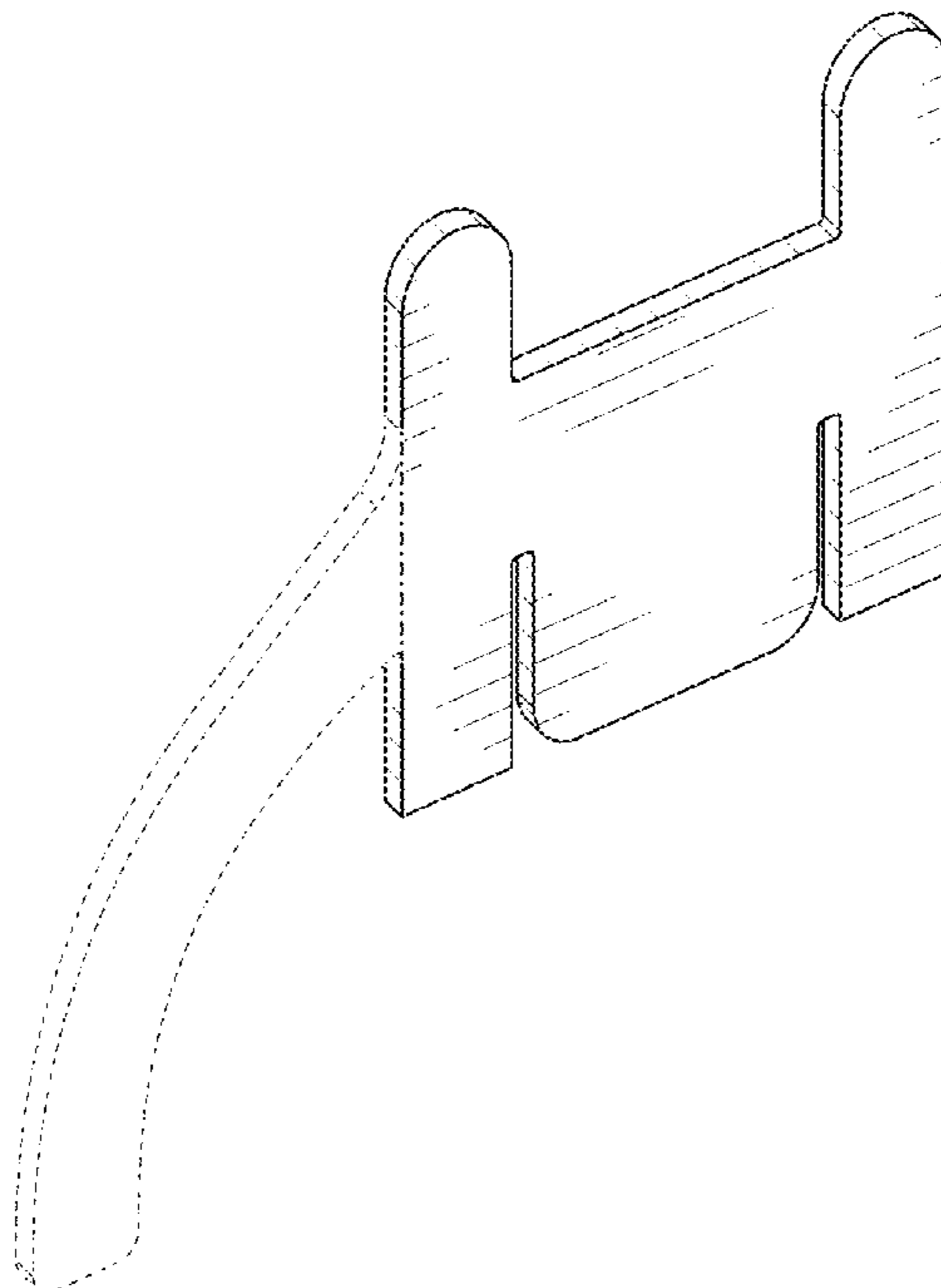
FIG. 5 is a right side elevational view of the wall spacer thereof;

FIG. 6 is a top plan view of the wall spacer thereof; and,

FIG. 7 is bottom plan view of the wall spacer thereof.

The dash-dot-dash broken lines depict the boundaries of the claim and form no part thereof.

1 Claim, 3 Drawing Sheets



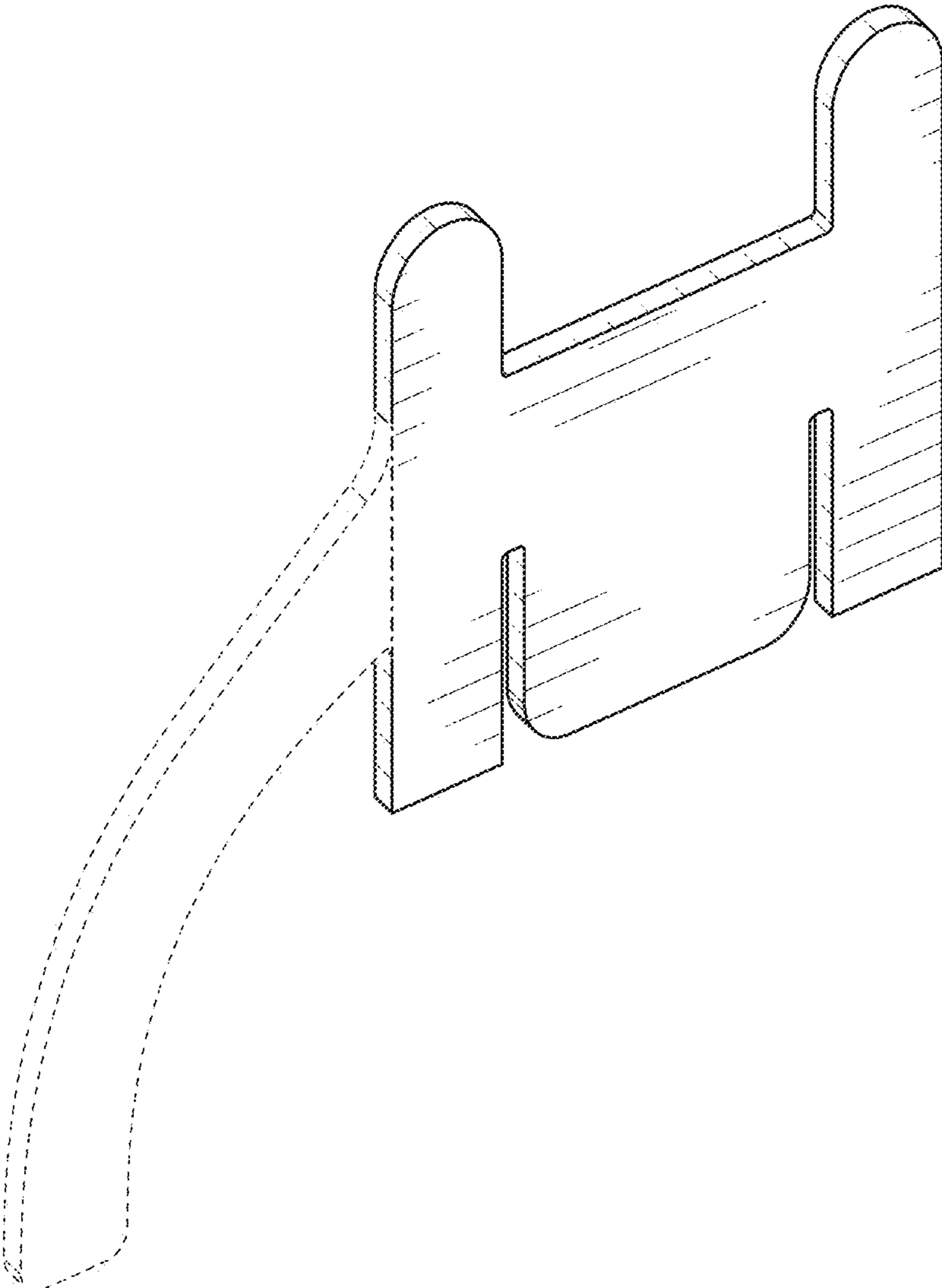


FIG. 1

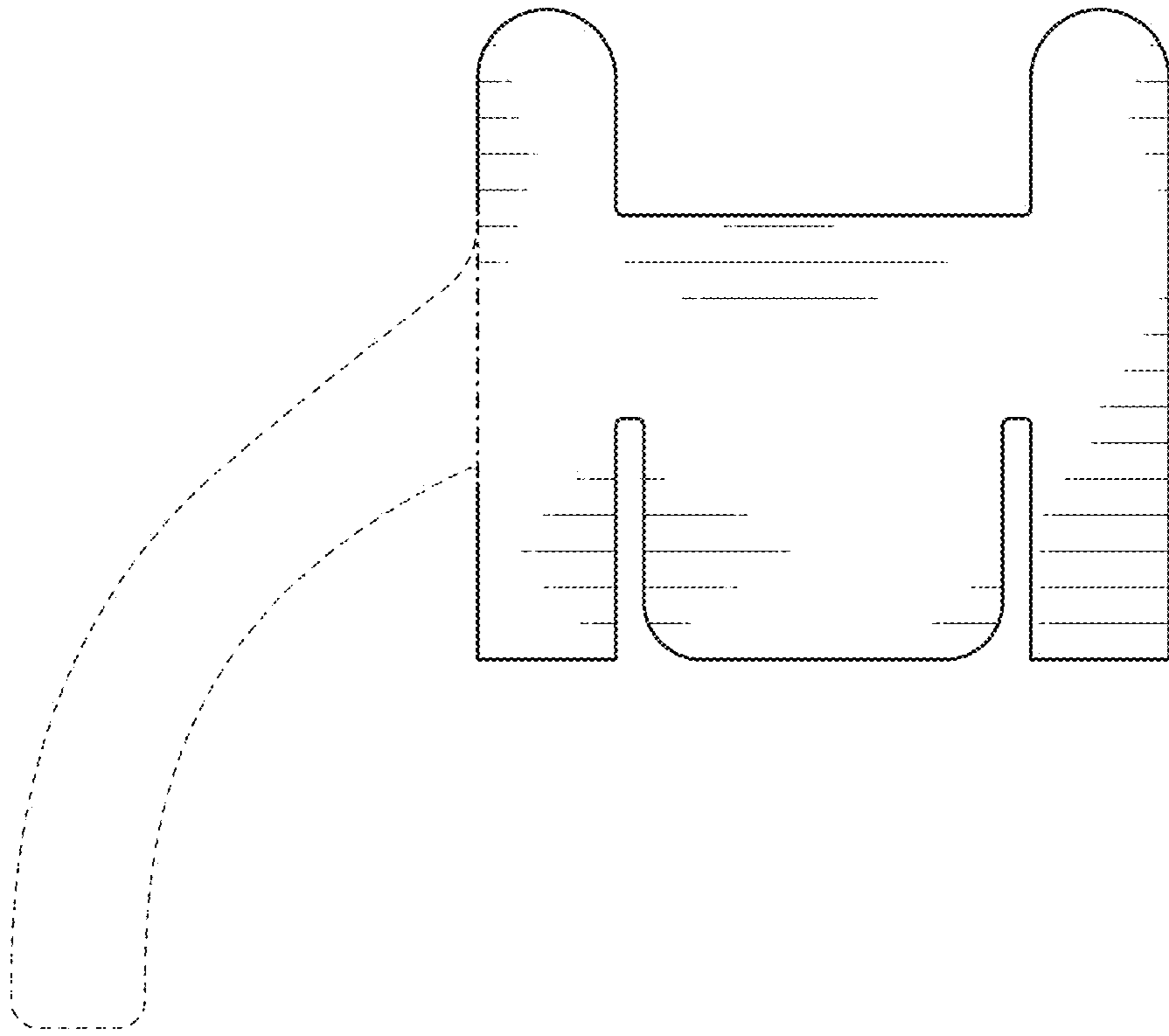


FIG. 2

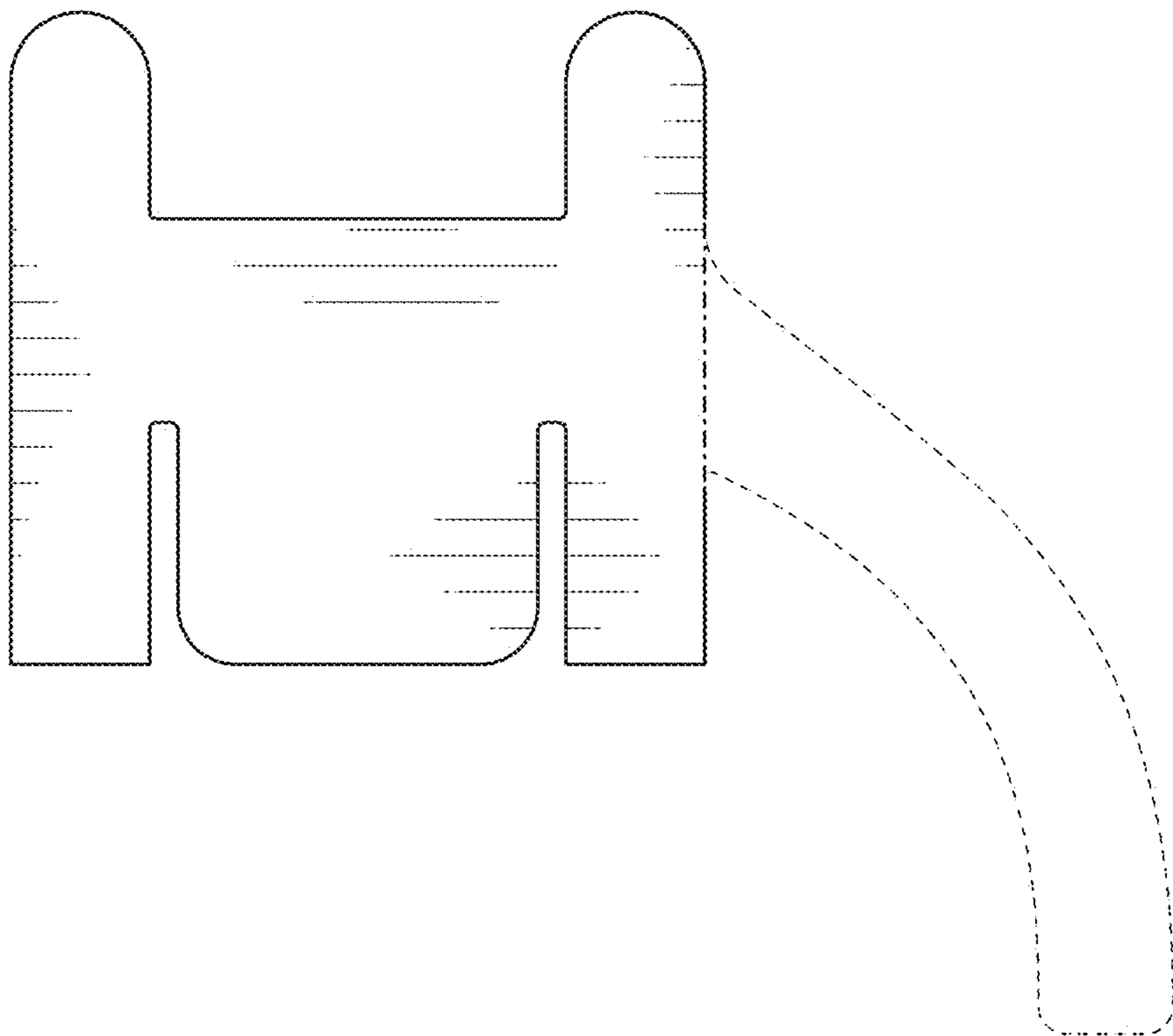


FIG. 3

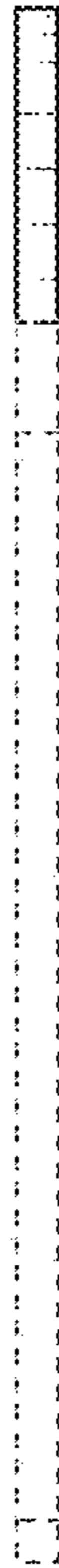


FIG. 4

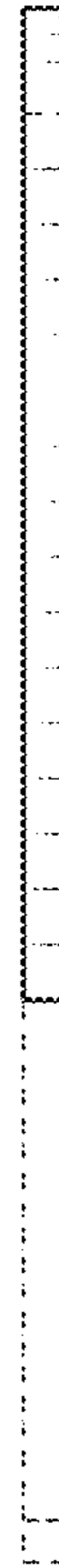


FIG. 5

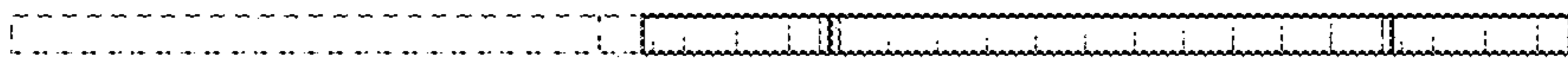


FIG. 6



FIG. 7