



US00D974876S

(12) **United States Design Patent**
Schulten et al.

(10) **Patent No.:** **US D974,876 S**
(45) **Date of Patent:** **** Jan. 10, 2023**

- (54) **PEG HOOK ADAPTER**
- (71) Applicant: **CHECKPOINT SYSTEMS, INC.**,
Thorofare, NJ (US)
- (72) Inventors: **Ingolf Schulten**, Ottersheim (DE);
Hans Jürgen Fechtmann, Epfenbach
(DE)
- (73) Assignee: **CHECKPOINT SYSTEMS, INC.**,
Thorofare, NJ (US)
- (**) Term: **15 Years**
- (21) Appl. No.: **29/721,460**
- (22) Filed: **Jan. 21, 2020**
- (51) **LOC (14) Cl.** **08-05**
- (52) **U.S. Cl.**
USPC **D8/354**
- (58) **Field of Classification Search**
USPC D8/330, 349, 353-354, 364, 367, 381,
D8/371, 373; D14/140, 432; D6/300,
D6/301
CPC ... E04C 5/18; E04C 5/168; E04C 5/20; E04C
2/044; E04C 2/288; E04C 2/384; E04C
2002/047; E04C 2003/026; E04C 5/02;
E04C 5/03; E04C 5/16; E04C 5/163;
E04C 5/201; E04C 5/203; F16M 13/02;
F16M 11/041; F16M 13/022; A47B
97/001; A47B 45/00; A47B 57/56; A47B
81/00
See application file for complete search history.

(56) **References Cited**

U.S. PATENT DOCUMENTS

- D533,547 S * 12/2006 Sergi D8/354
- D534,904 S * 1/2007 Crawford D8/354
- D556,014 S * 11/2007 Wurdack D8/349
- D556,546 S * 12/2007 Swanson D8/354
- D759,465 S * 6/2016 Reed D8/354

- D860,762 S * 9/2019 Gibson D8/354
- D892,597 S * 8/2020 Stoops D8/354
- D899,897 S * 10/2020 Gustafsson Salmonsson
D8/354
- D900,593 S * 11/2020 McKillips D8/354
- D900,594 S * 11/2020 Shaffer D8/354
- D900,595 S * 11/2020 Schmitz D8/354
- D902,016 S * 11/2020 Yehishalom D8/354
- D904,171 S * 12/2020 Ochi D8/354
- D904,861 S * 12/2020 McWilliams D8/354
- D906,095 S * 12/2020 DeDios-Shirley D8/354
- D906,788 S * 1/2021 Ochi D8/354
- D913,525 S * 3/2021 Xuewei D25/38.1
- D915,180 S * 4/2021 Priola D8/354
- D920,082 S * 5/2021 Kellerman D8/354
- D924,042 S * 7/2021 Shaffer D8/354
- D925,338 S * 7/2021 Dedios-Shirley D8/354
- D931,711 S * 9/2021 Sharma D8/354
- D937,070 S * 11/2021 Pavlov D8/354
- D937,072 S * 11/2021 Pavlov D8/354
- D937,664 S * 12/2021 Brunskill D8/354
- D938,815 S * 12/2021 Foral D8/395

(Continued)

Primary Examiner — Karen S Acker

Assistant Examiner — Elizabeth S Ko

(74) *Attorney, Agent, or Firm* — McDonald Hopkins LLC

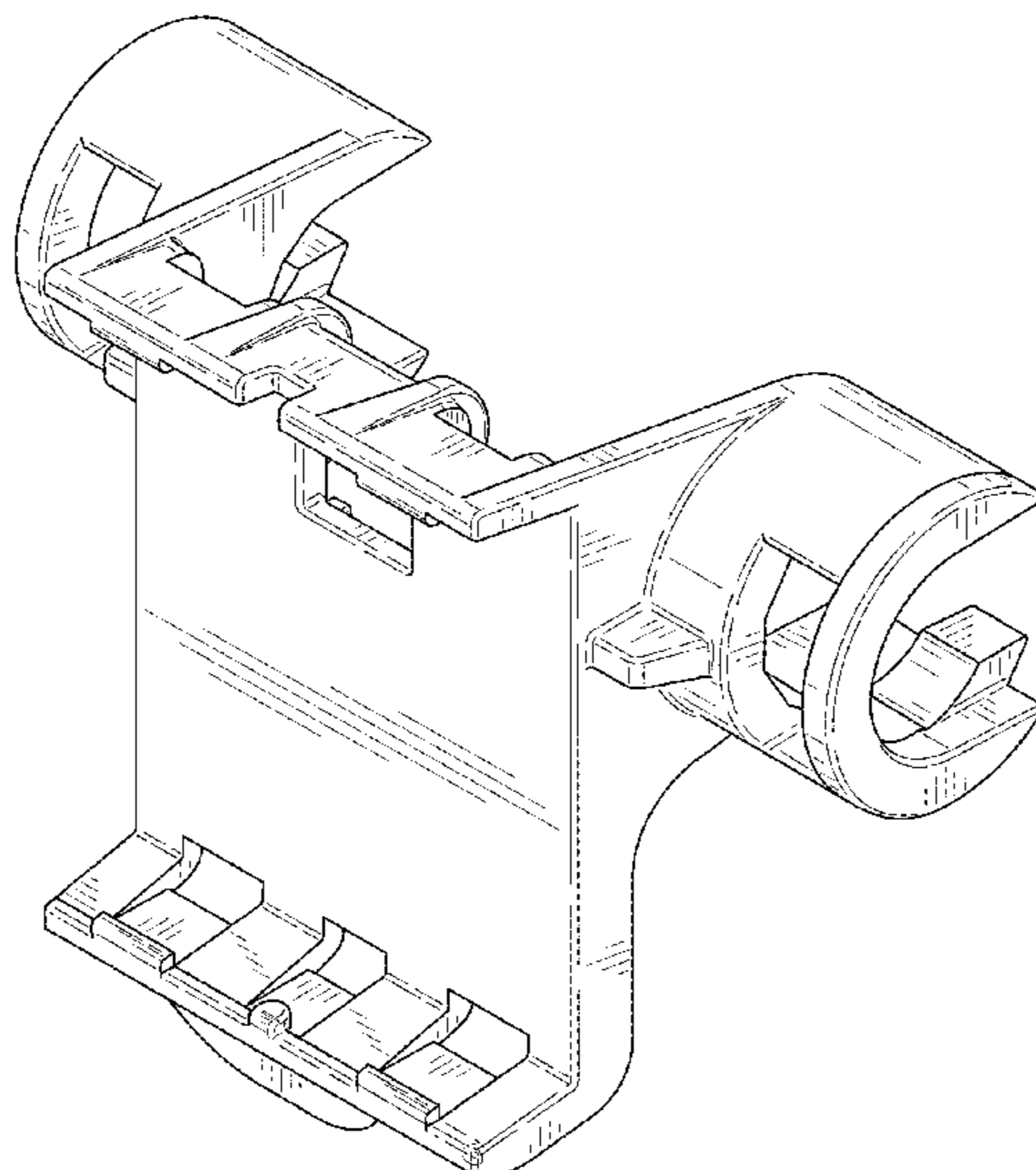
(57) **CLAIM**

The ornamental design for a peg hook adapter, as shown and described.

DESCRIPTION

FIG. 1 is a perspective view of a peg hook adapter showing our new design;
 FIG. 2 is a front end view thereof;
 FIG. 3 is a rear end view thereof;
 FIG. 4 is a right side view thereof;
 FIG. 5 is a left side view thereof;
 FIG. 6 is a top view thereof; and,
 FIG. 7 is a bottom view thereof.
 The broken lines in the drawings depict portions of the peg hook adapter that form no part of the claimed design.

1 Claim, 7 Drawing Sheets



(56)

References Cited

U.S. PATENT DOCUMENTS

D939,933	S	*	1/2022	Campbell	D8/354
D939,935	S	*	1/2022	Tang	D8/354
D941,120	S	*	1/2022	Switzer	D8/380
D941,661	S	*	1/2022	Tanner	D8/354
D942,245	S	*	2/2022	Gualtieri	D8/354
D942,837	S	*	2/2022	Rice	D8/354
D944,625	S	*	3/2022	Wu	D8/349
D945,356	S	*	3/2022	Ganshaw	D13/102
D945,606	S	*	3/2022	Bellows	D24/128
D945,857	S	*	3/2022	Smith	D8/354
D946,384	S	*	3/2022	Zhang	D8/367
D947,657	S	*	4/2022	Grindley	D8/367

* cited by examiner

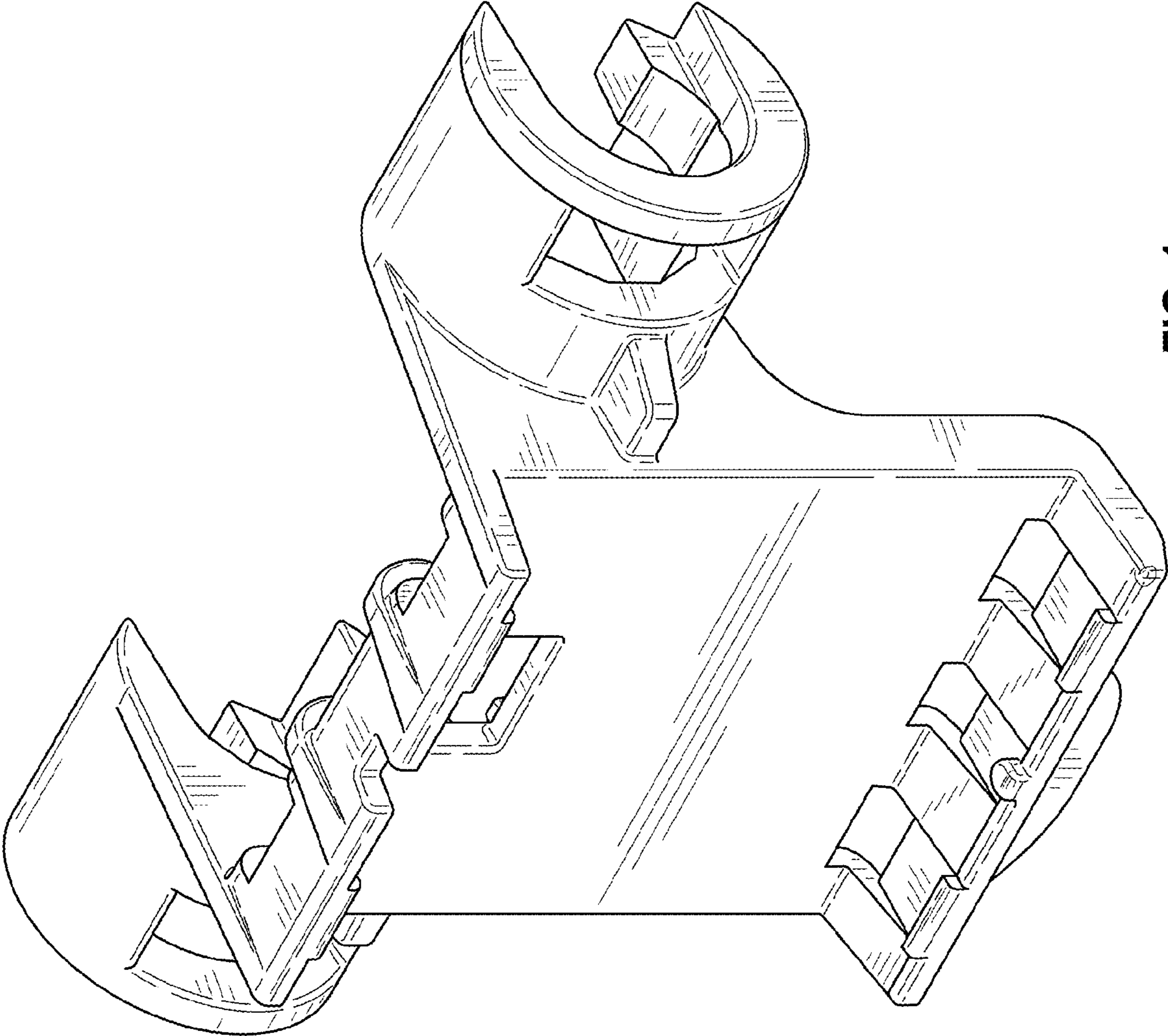


FIG. 1

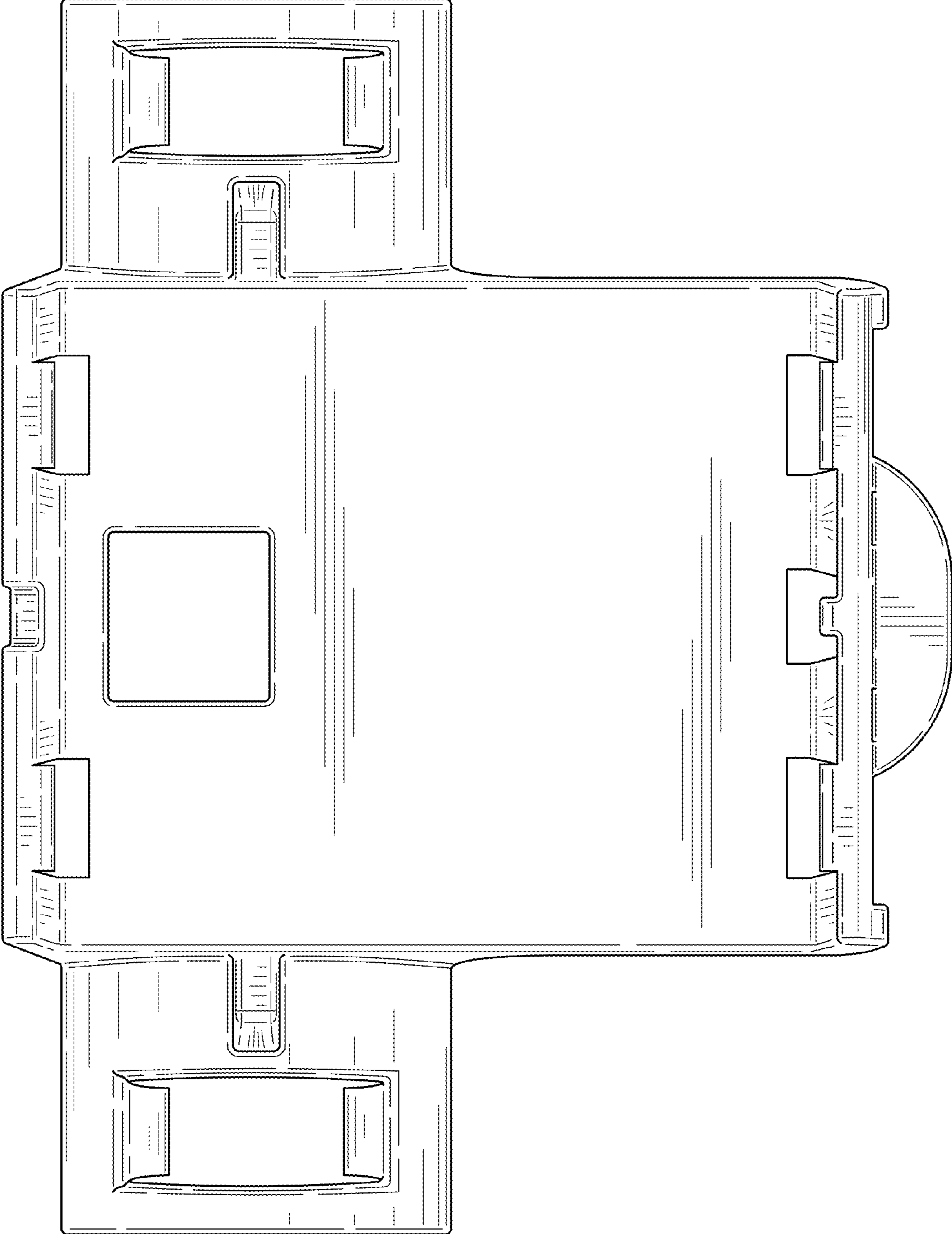


FIG. 2

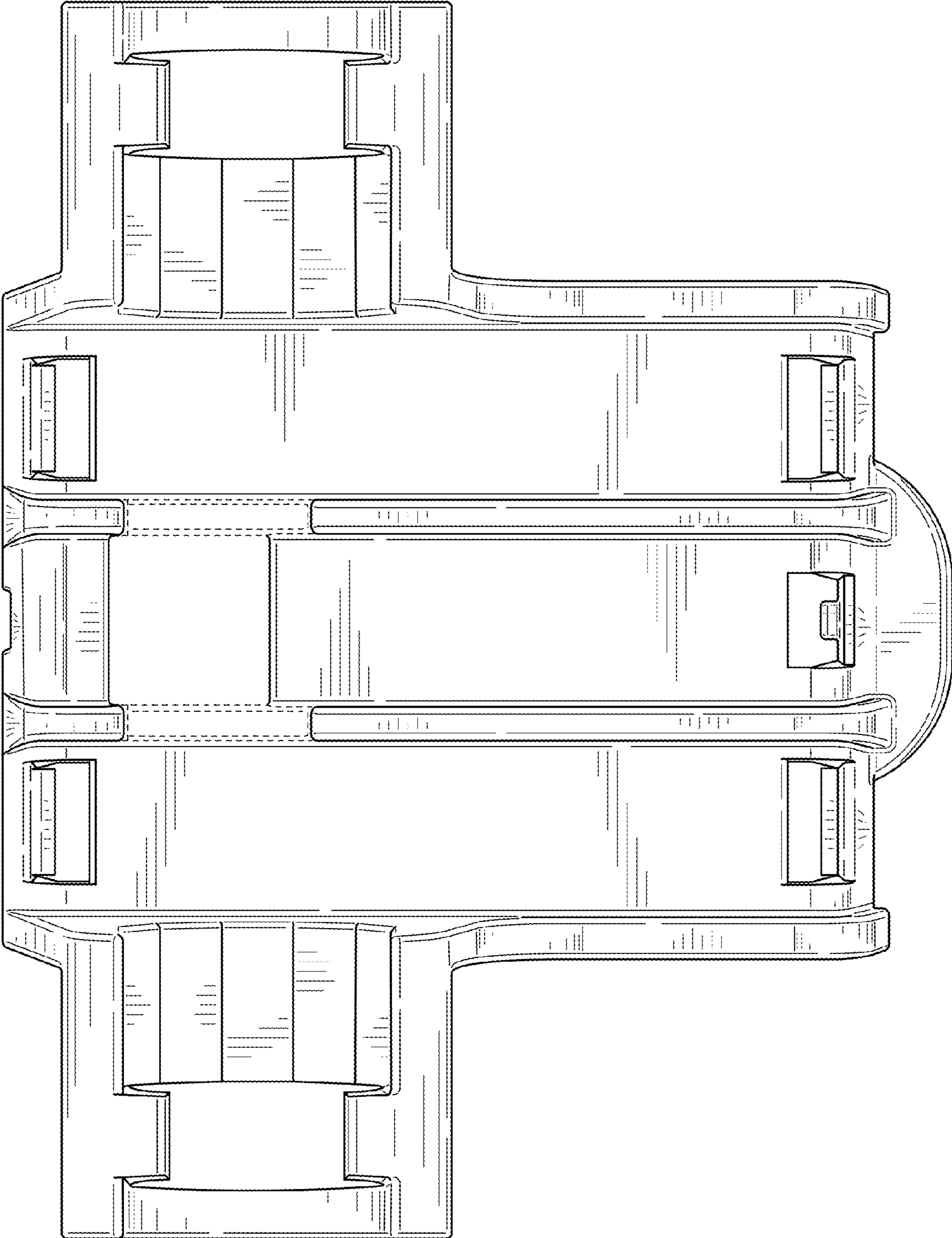


FIG. 3

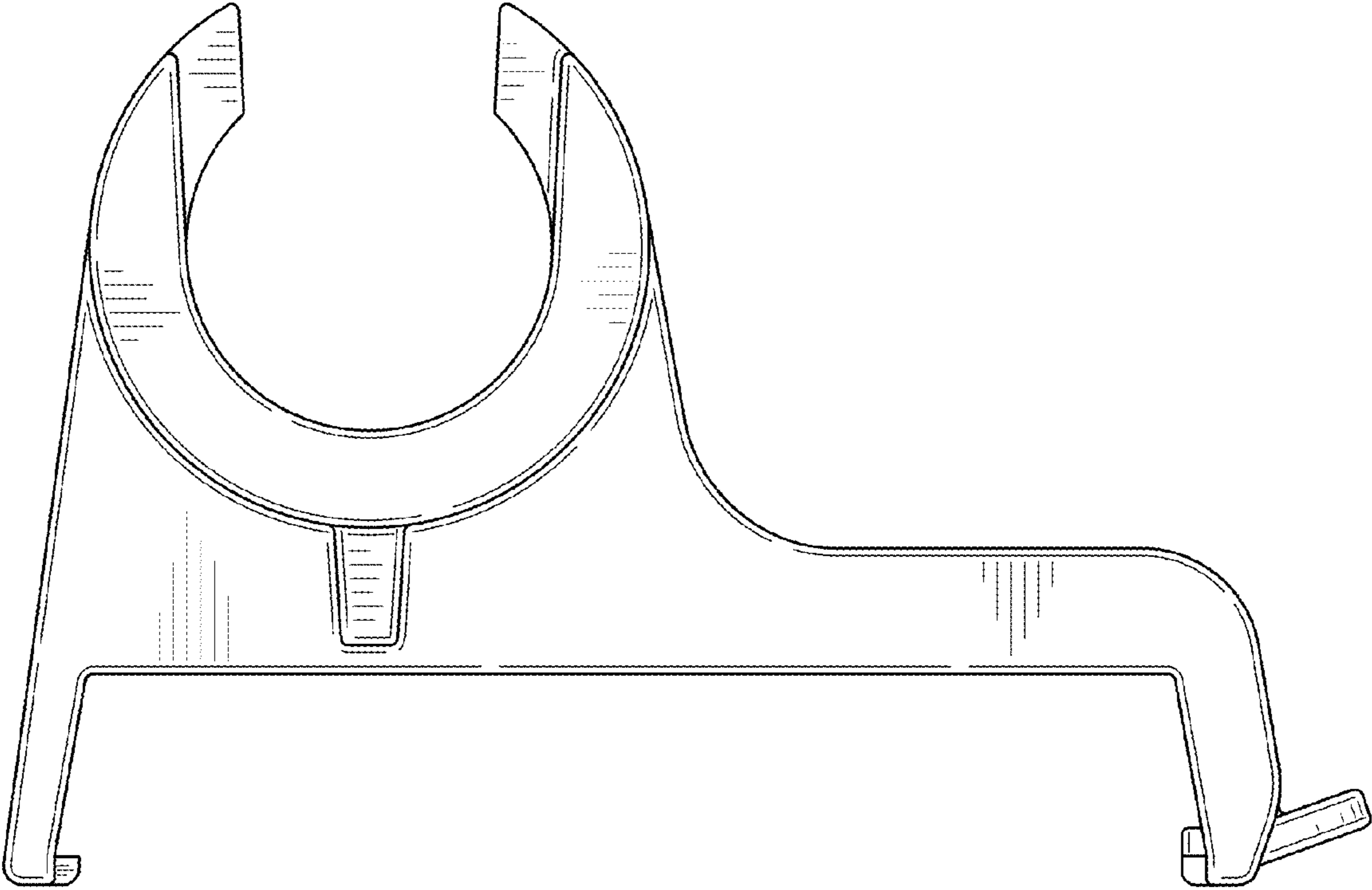


FIG. 4

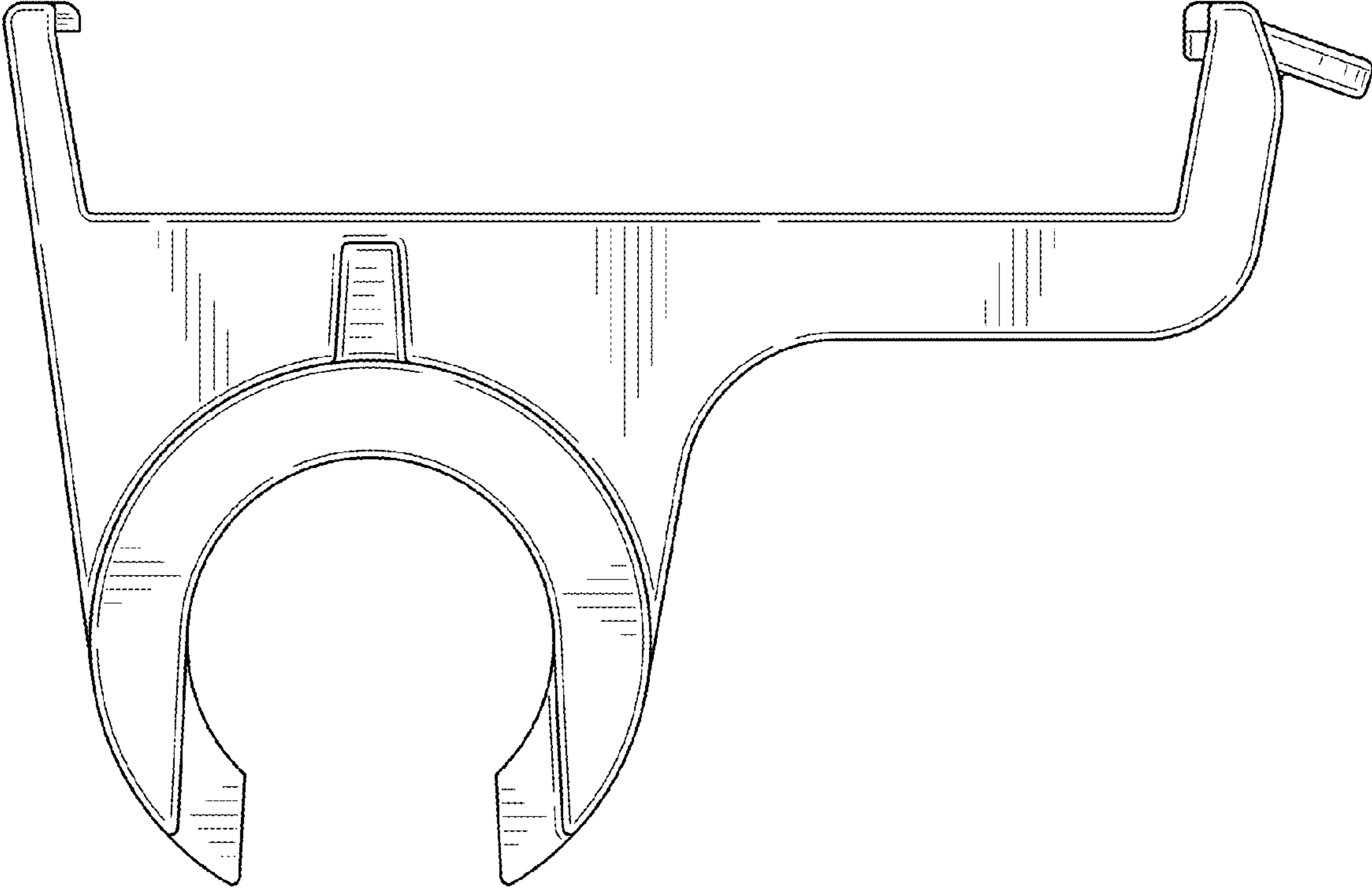


FIG. 5

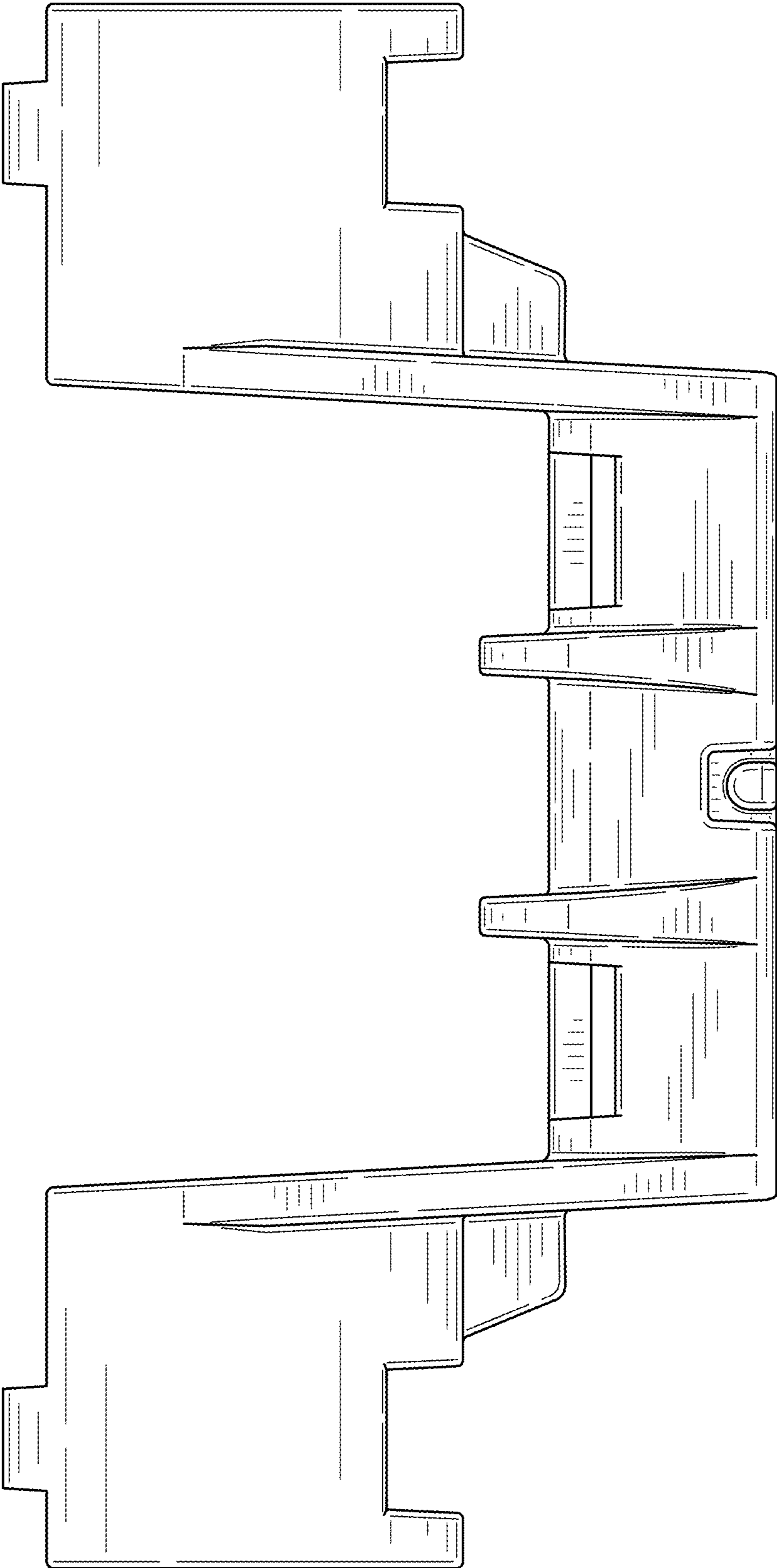


FIG. 6

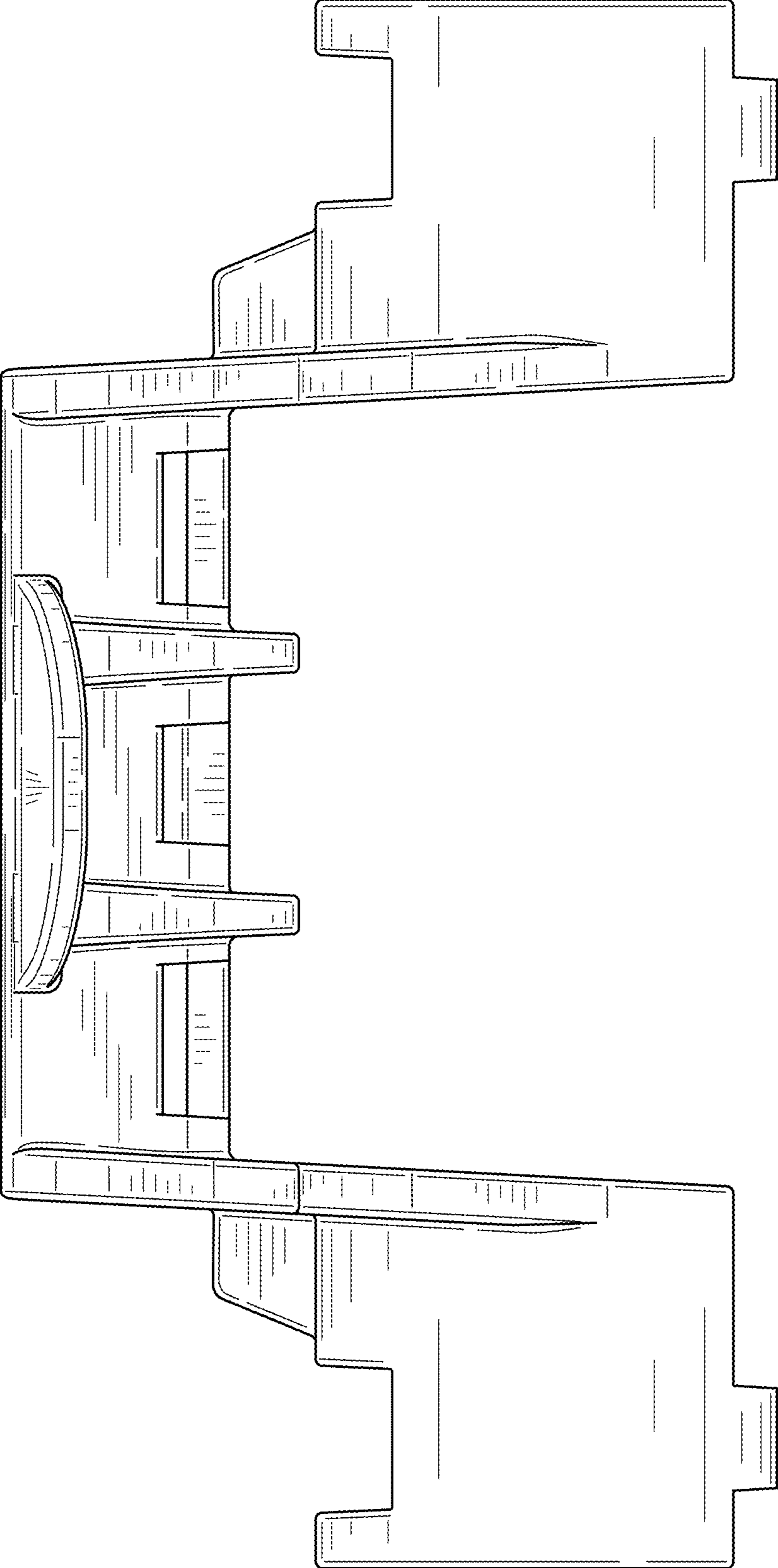


FIG. 7