



US00D974874S

(12) **United States Design Patent** (10) **Patent No.:** **US D974,874 S**  
**Li et al.** (45) **Date of Patent:** **\*\* Jan. 10, 2023**

(54) **SAFETY LOCK**  
(71) Applicants: **Baoying Li**, Ningbo (CN); **Chengbo Wang**, Ningbo (CN)  
(72) Inventors: **Baoying Li**, Ningbo (CN); **Chengbo Wang**, Ningbo (CN)  
(\* ) Notice: Patent file contains an affidavit/declaration under 37 CFR 1.130(b).  
(\*\*) Term: **15 Years**  
(21) Appl. No.: **29/822,799**  
(22) Filed: **Jan. 12, 2022**  
(51) **LOC (14) Cl.** ..... **08-07**  
(52) **U.S. Cl.**  
USPC ..... **D8/339**; D8/331  
(58) **Field of Classification Search**  
USPC ..... D8/71, 331, 333-334, 339, 347, 400  
CPC ..... E05B 65/0014; E05B 57/00; E05B 65/44;  
F25D 29/006; Y10S 292/65  
See application file for complete search history.

D803,661 S \* 11/2017 Marsden ..... D8/343  
D821,848 S \* 7/2018 Marsden ..... D8/343  
D931,706 S 9/2021 Zhong

**OTHER PUBLICATIONS**

“Sliding Cabinet Child Safety Locks”, Jun. 26, 2020, Amazon.ca, site visited Jul. 27, 2022: <https://www.amazon.ca/Locks-Grandoto-Childproof-Proofing-Wardrobe-Bathroom/dp/B088ZTRWN6> (Year: 2020).\*  
“Sliding Cabinet Lock”, Sep. 23, 2020, Amazon.ca, site visited Jul. 27, 2022: <https://www.amazon.ca/Sliding-Cabinet-Cupboard-Kitchen-Bathroom/dp/B08JTX3NF7> (Year: 2020).\*  
“10 Pack Baby Sliding Cabinet Locks”, Apr. 22, 2021, Amazon.com, site visited Jul. 27, 2022: <https://www.amazon.com/dp/B093611FHN> (Year: 2021).\*

\* cited by examiner

*Primary Examiner* — Calvin E Vansant  
*Assistant Examiner* — Michael A Kervin

(57) **CLAIM**

The ornamental design for a safety lock, as shown and described.

(56) **References Cited**

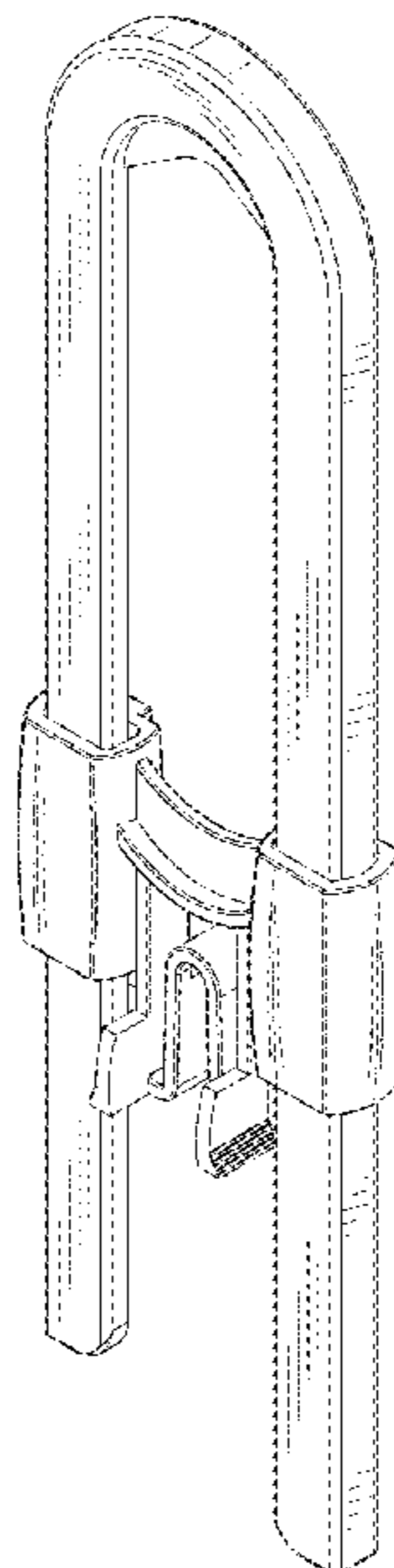
**U.S. PATENT DOCUMENTS**

D238,548 S \* 1/1976 Seakan et al. .... D8/333  
4,571,965 A \* 2/1986 LeRoux ..... B62H 5/145  
70/227  
D323,102 S \* 1/1992 Kipling ..... D8/343  
D379,754 S \* 6/1997 Solow ..... D8/332  
D698,621 S \* 2/2014 Moreau ..... D8/333  
D701,106 S \* 3/2014 Plato ..... D8/343  
D707,102 S \* 6/2014 Hale ..... D8/343  
D720,204 S \* 12/2014 Ferragu ..... D8/336  
D766,068 S \* 9/2016 Marsden ..... D8/339  
D785,440 S \* 5/2017 Marsden ..... D8/343  
D790,953 S \* 7/2017 Marsden ..... D8/343  
D797,543 S \* 9/2017 Marsden ..... D8/343  
D801,780 S \* 11/2017 Marsden ..... D8/343

**DESCRIPTION**

FIG. 1 is a front perspective view of a safety lock, showing my new design;  
FIG. 2 is a front view thereof;  
FIG. 3 is a rear view thereof;  
FIG. 4 is a left side view thereof;  
FIG. 5 is a right side view thereof;  
FIG. 6 is a top view thereof; and,  
FIG. 7 is a bottom view thereof.

**1 Claim, 7 Drawing Sheets**



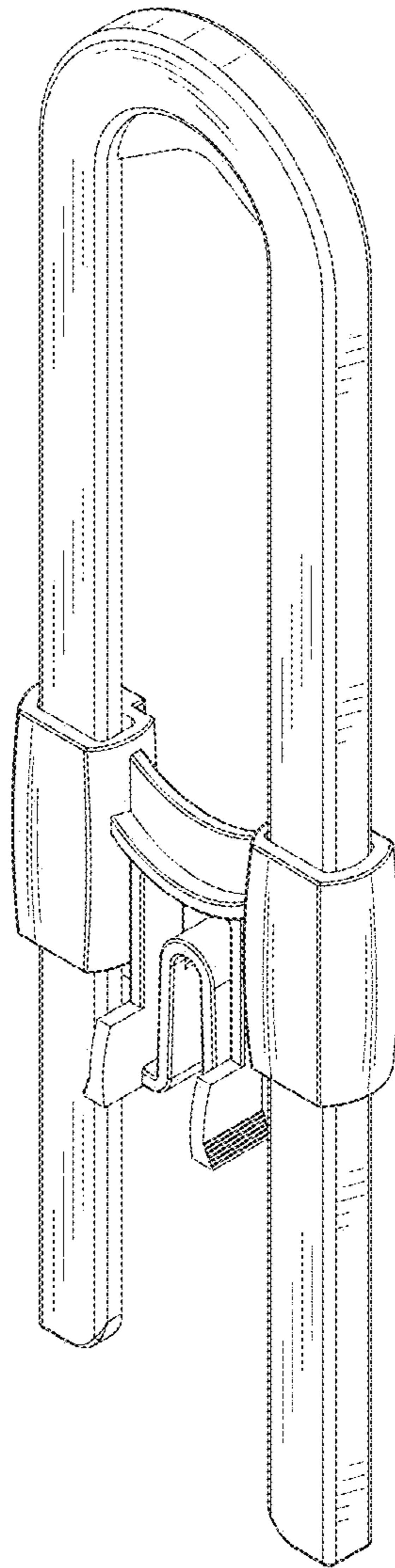


FIG. 1

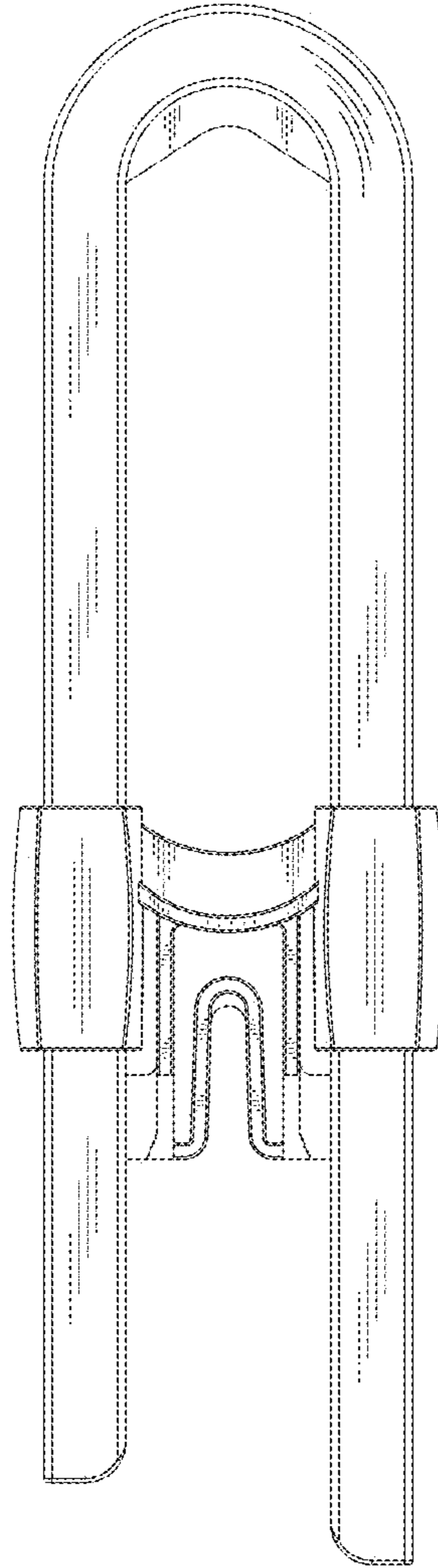


FIG. 2

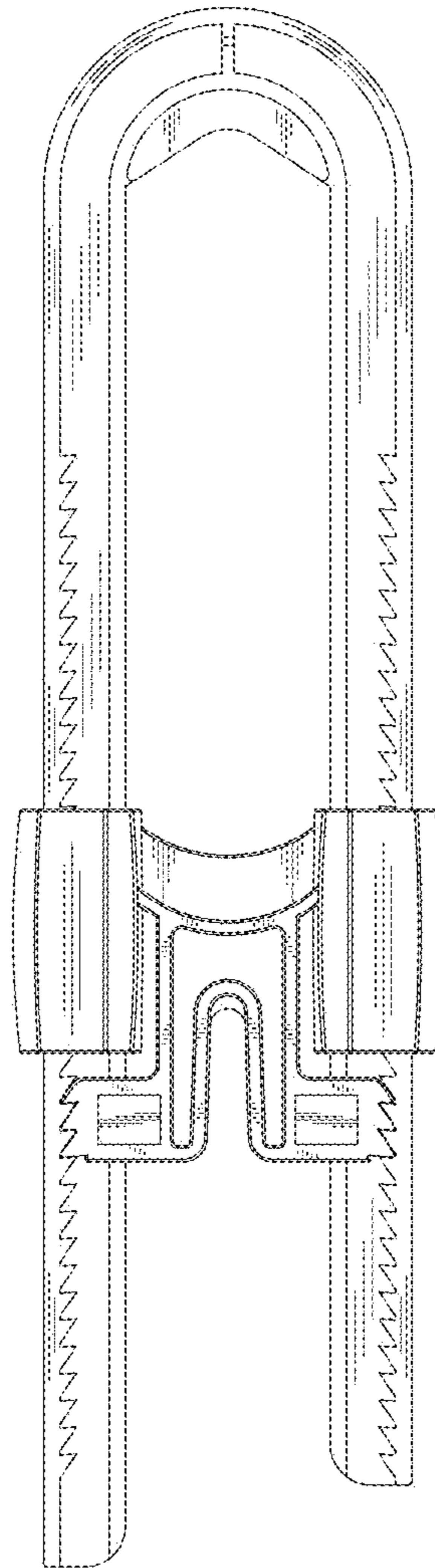


FIG. 3

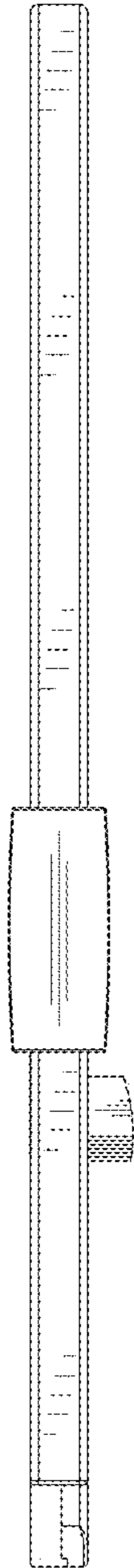


FIG. 4

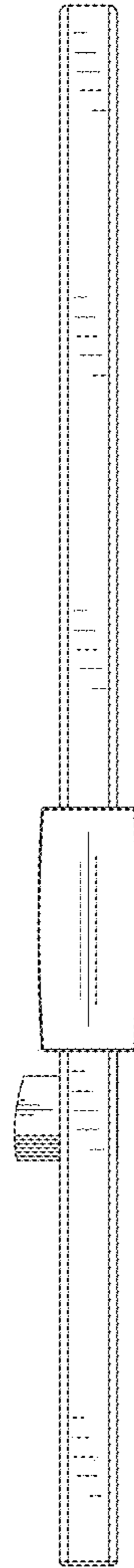


FIG. 5

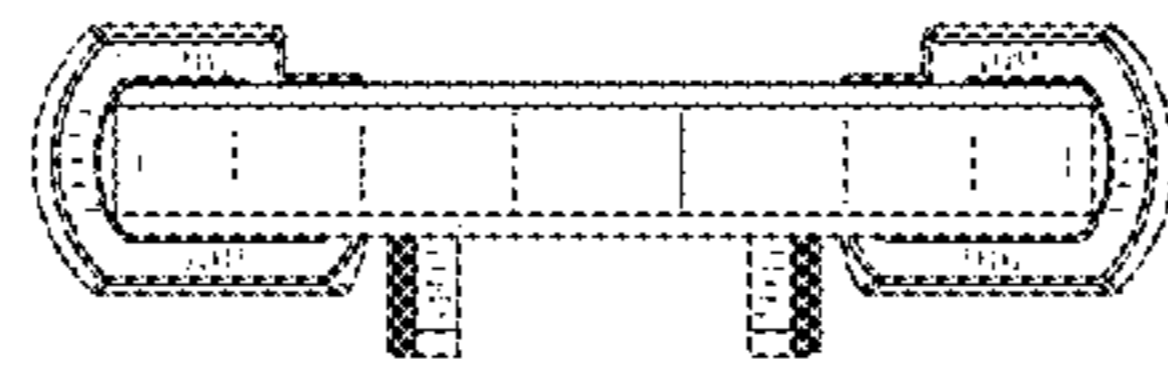


FIG. 6

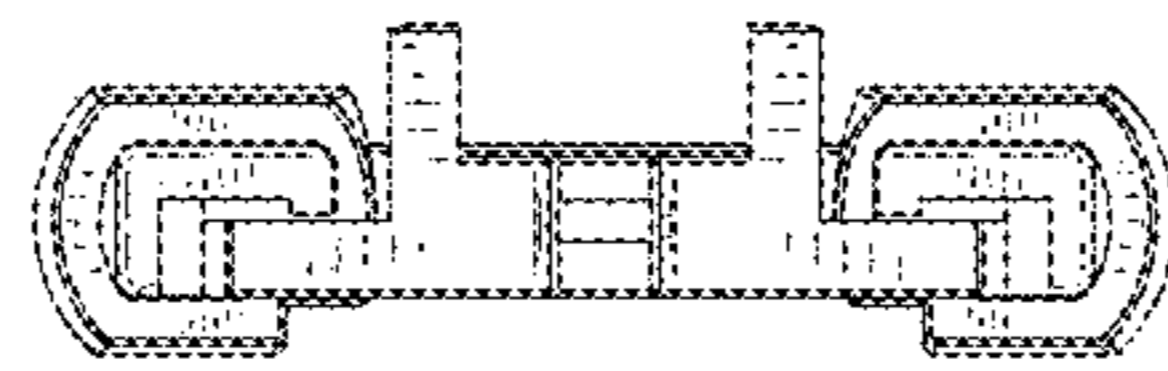


FIG. 7