



US00D974873S

(12) **United States Design Patent** (10) **Patent No.:** **US D974,873 S**
Kuchler (45) **Date of Patent:** **** Jan. 10, 2023**

(54) **HOLDER FOR LOCKS**
(71) Applicant: **ABUS August Bremicker Söhne KG,**
Wetter/Volmarstein (DE)
(72) Inventor: **Marcus Kuchler,** Munich (DE)
(73) Assignee: **ABUS August Bremicker Söhne KG**
(**) Term: **15 Years**
(21) Appl. No.: **29/762,621**
(22) Filed: **Dec. 17, 2020**
(30) **Foreign Application Priority Data**

Jun. 18, 2020 (EM) 008010300
(51) **LOC (14) Cl.** **08-07**
(52) **U.S. Cl.**
USPC **D8/334; D8/333; D8/343**
(58) **Field of Classification Search**
USPC D8/334, 333, 343, 339, 335, 330, 331,
D8/332; D99/28, 34, 35, 36
CPC E05B 77/00; E05B 71/00; E05B 67/36;
E05B 65/00; E05B 67/063; E05B 13/10;
E05B 2047/0084; E05B 77/28; E05B
37/00; E05B 2047/0068; E05B
2047/0024; E05B 85/10; E05B 37/025;
E05B 41/00
See application file for complete search history.

(56) **References Cited**
U.S. PATENT DOCUMENTS
4,502,609 A * 3/1985 Christatos H05K 5/03
220/812
D285,859 S * 9/1986 Ooki D99/34

D316,330 S * 4/1991 Vicente D3/905
D338,392 S * 8/1993 McKernan D8/343
D368,249 S * 3/1996 Ferrer D12/423
5,738,020 A * 4/1998 Correia E05G 1/005
109/51
D421,714 S * 3/2000 Moscovitch D8/373
D521,848 S * 5/2006 Anderson D8/330
8,302,796 B1 * 11/2012 Johnson H02G 9/10
220/3.9
D748,530 S * 2/2016 Paik D11/216
D750,172 S * 2/2016 Moreno Medina D20/1
D872,480 S * 1/2020 Cortes D3/295
2013/0003297 A1 * 1/2013 Du-Henson H02G 3/081
361/679.01
2019/0071897 A1 * 3/2019 Yu E05B 65/5284
2019/0376542 A1 * 12/2019 Kawamura B60R 16/0238
2021/0396050 A1 * 12/2021 Kuchler E05B 71/00

* cited by examiner

Primary Examiner — Marissa J Cash
Assistant Examiner — Kayla Marie Bennett
(74) *Attorney, Agent, or Firm* — Dinsmore & Shohl LLP

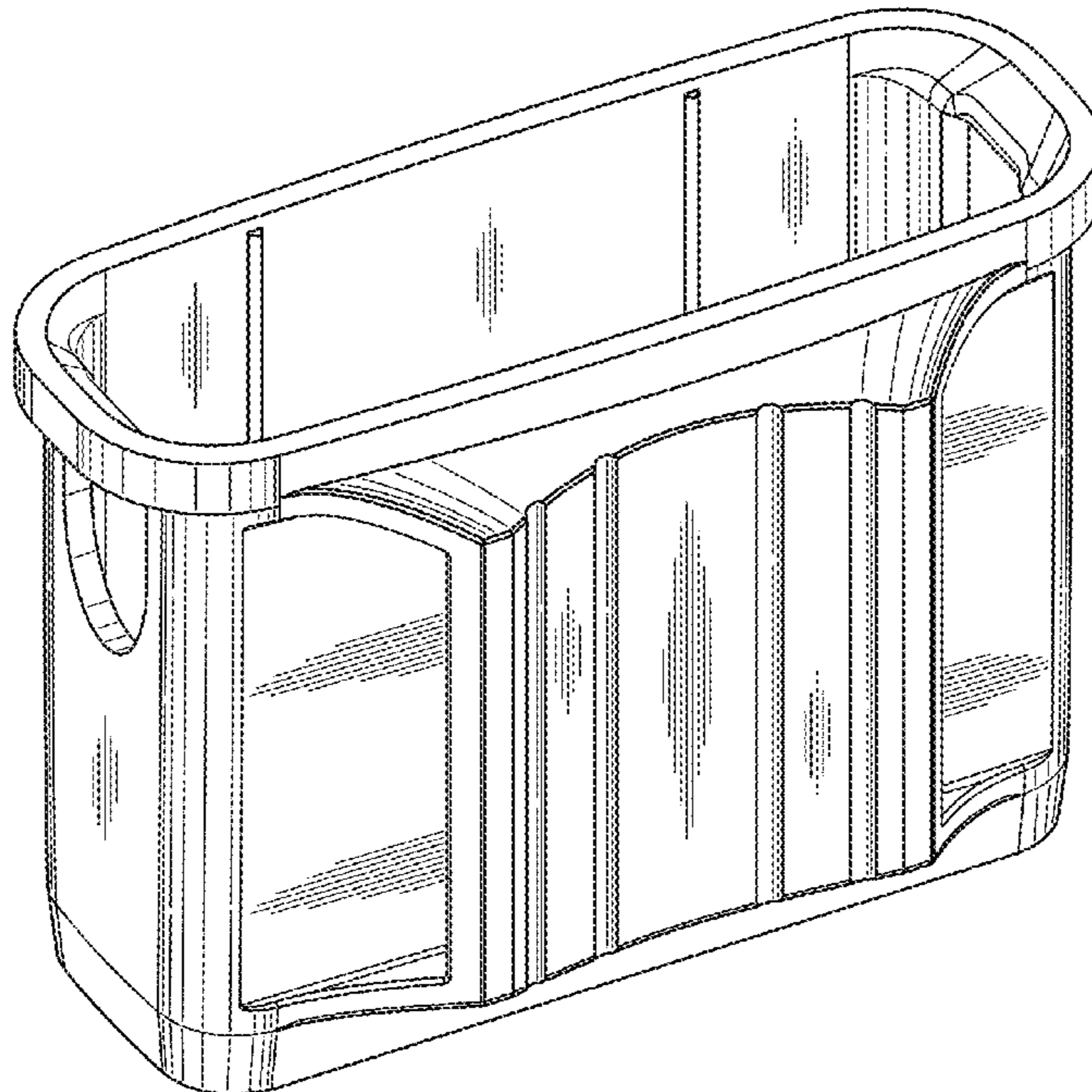
(57) **CLAIM**

The ornamental design for a holder for locks, as shown and described.

DESCRIPTION

FIG. 1 is a front perspective view of a holder for locks showing my new design;
FIG. 2 is a rear perspective view thereof;
FIG. 3 is a front view thereof;
FIG. 4 is a left side view is a thereof;
FIG. 5 is a right side view thereof;
FIG. 6 is a rear view thereof;
FIG. 7 is a top view thereof; and,
FIG. 8 is a bottom view thereof.

1 Claim, 8 Drawing Sheets



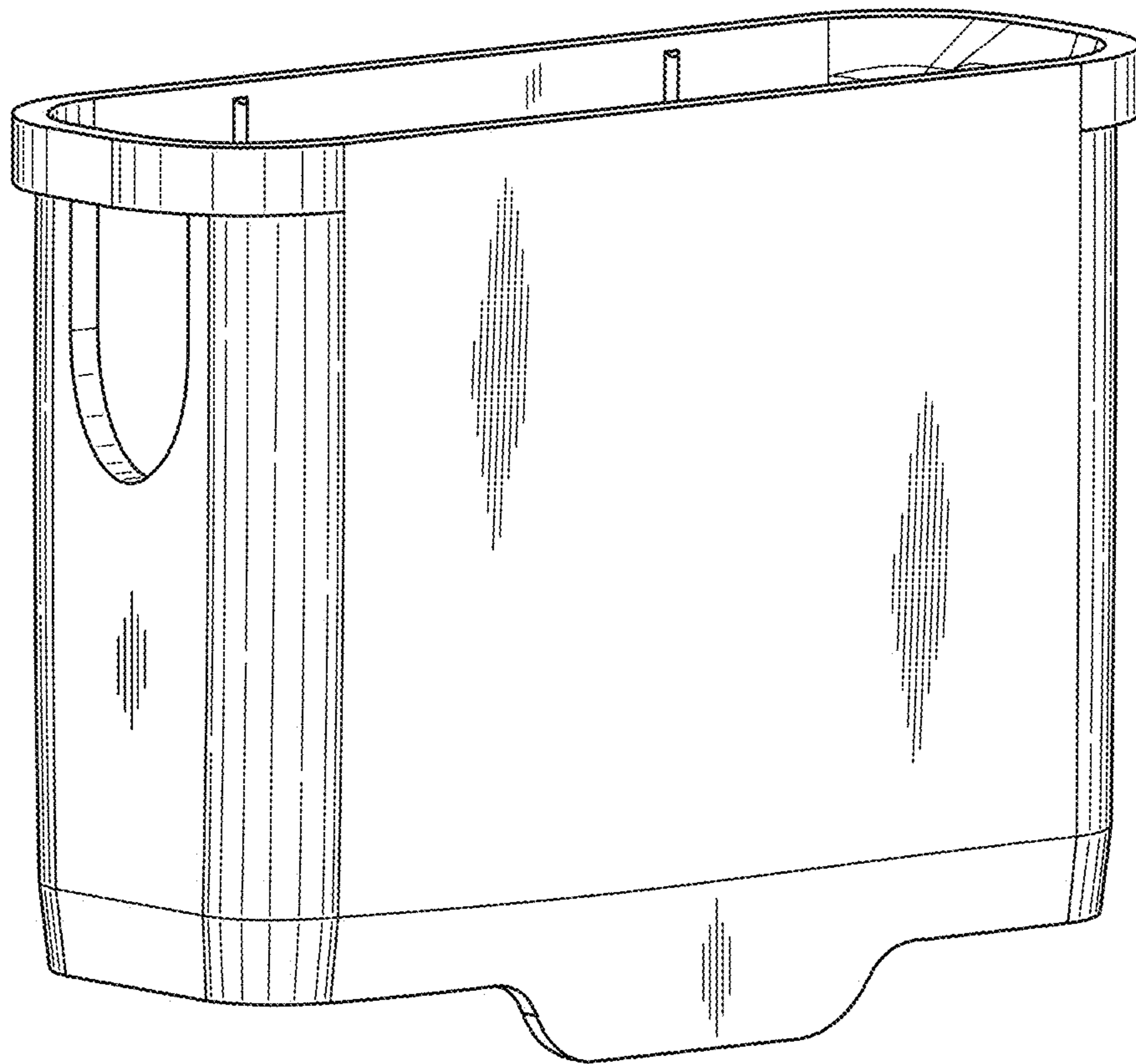


FIG. 1

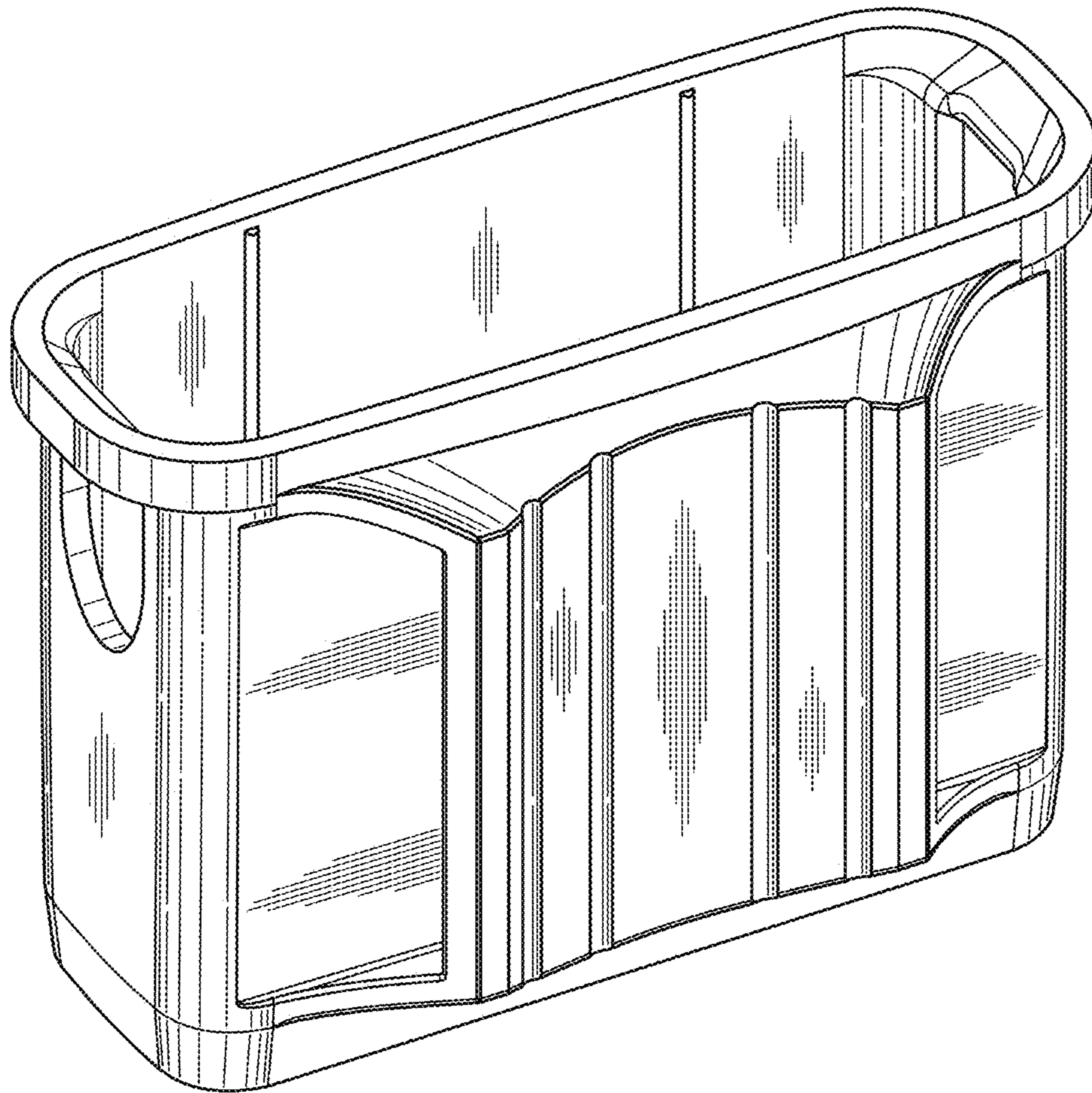


FIG. 2

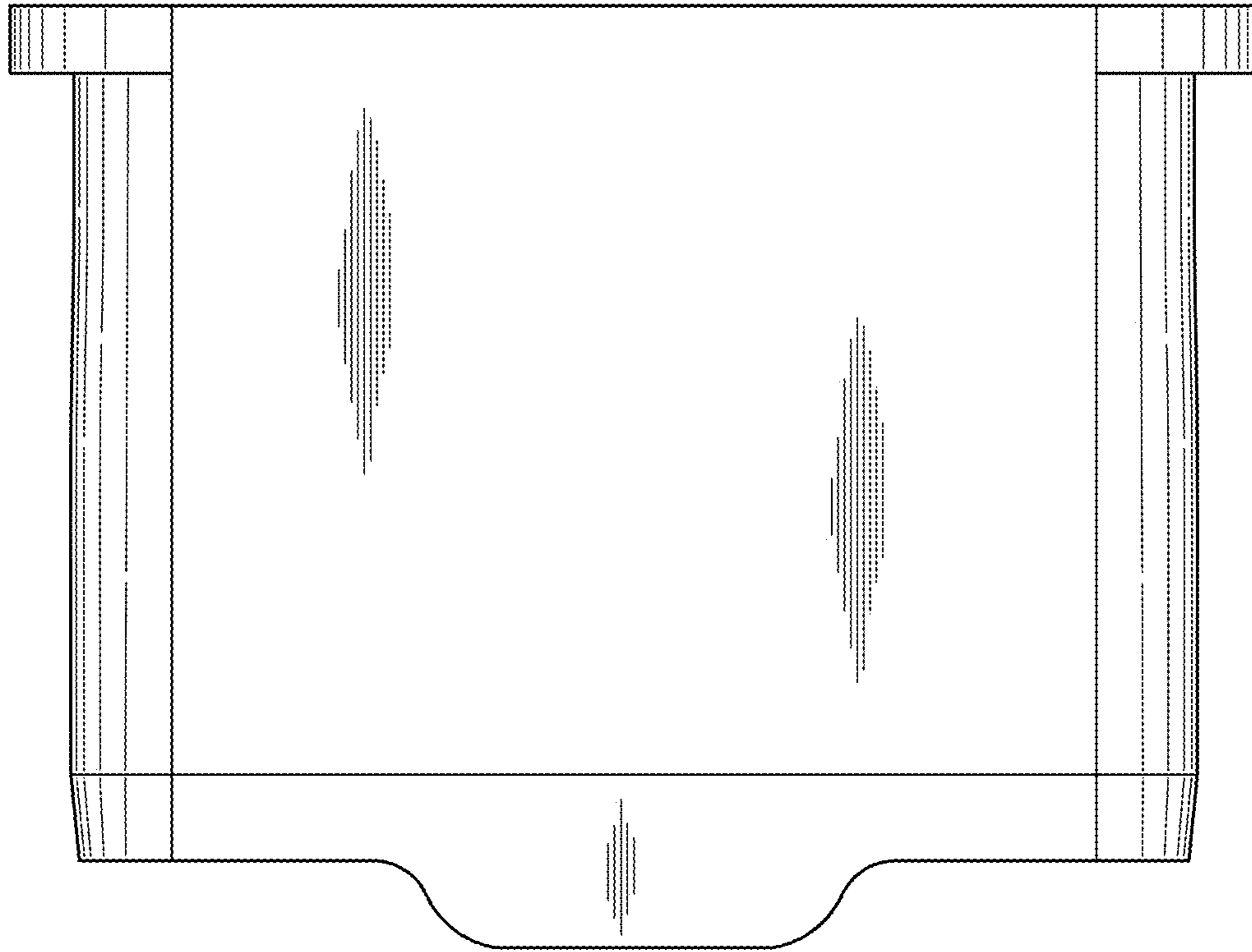


FIG. 3

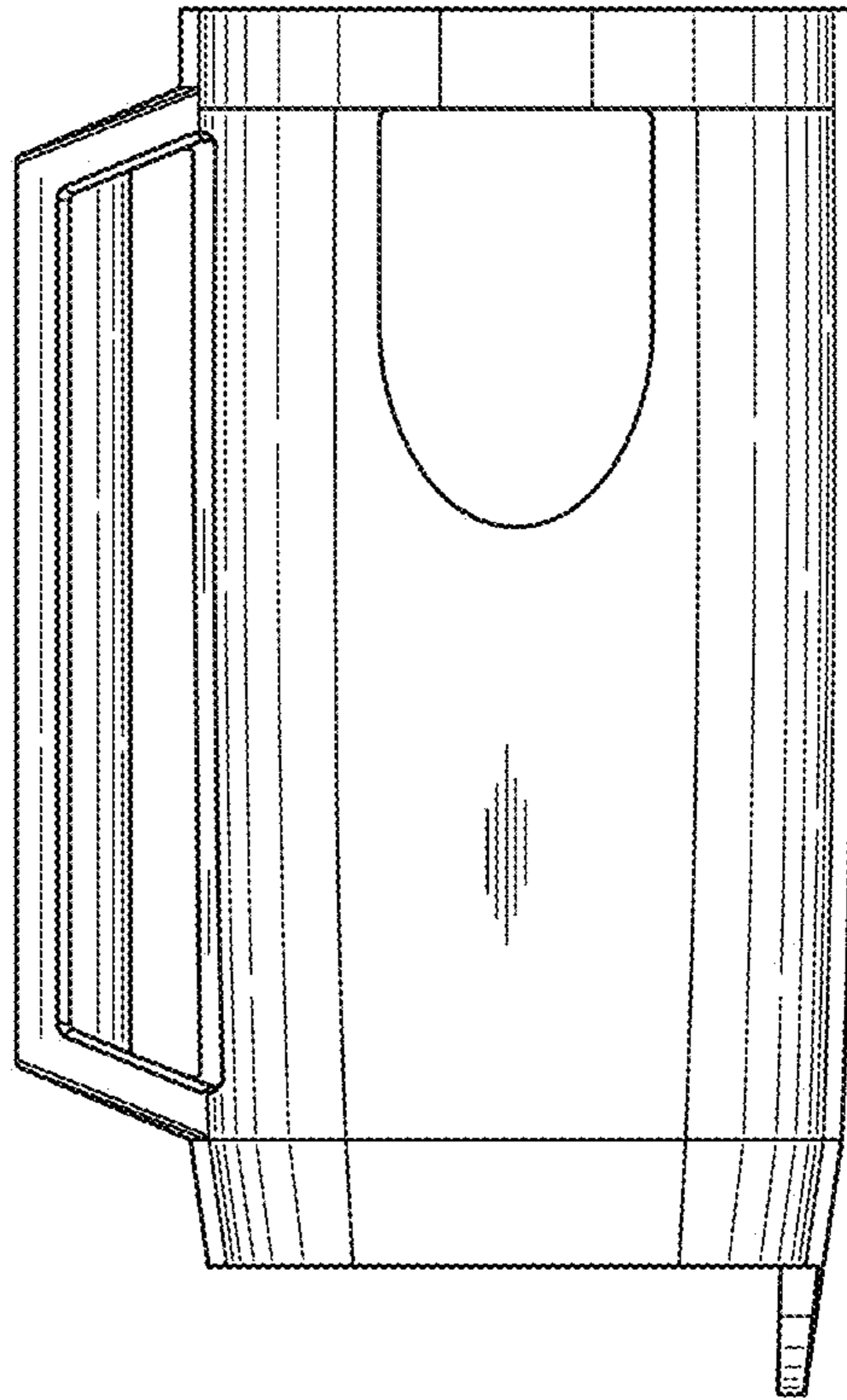


FIG. 4

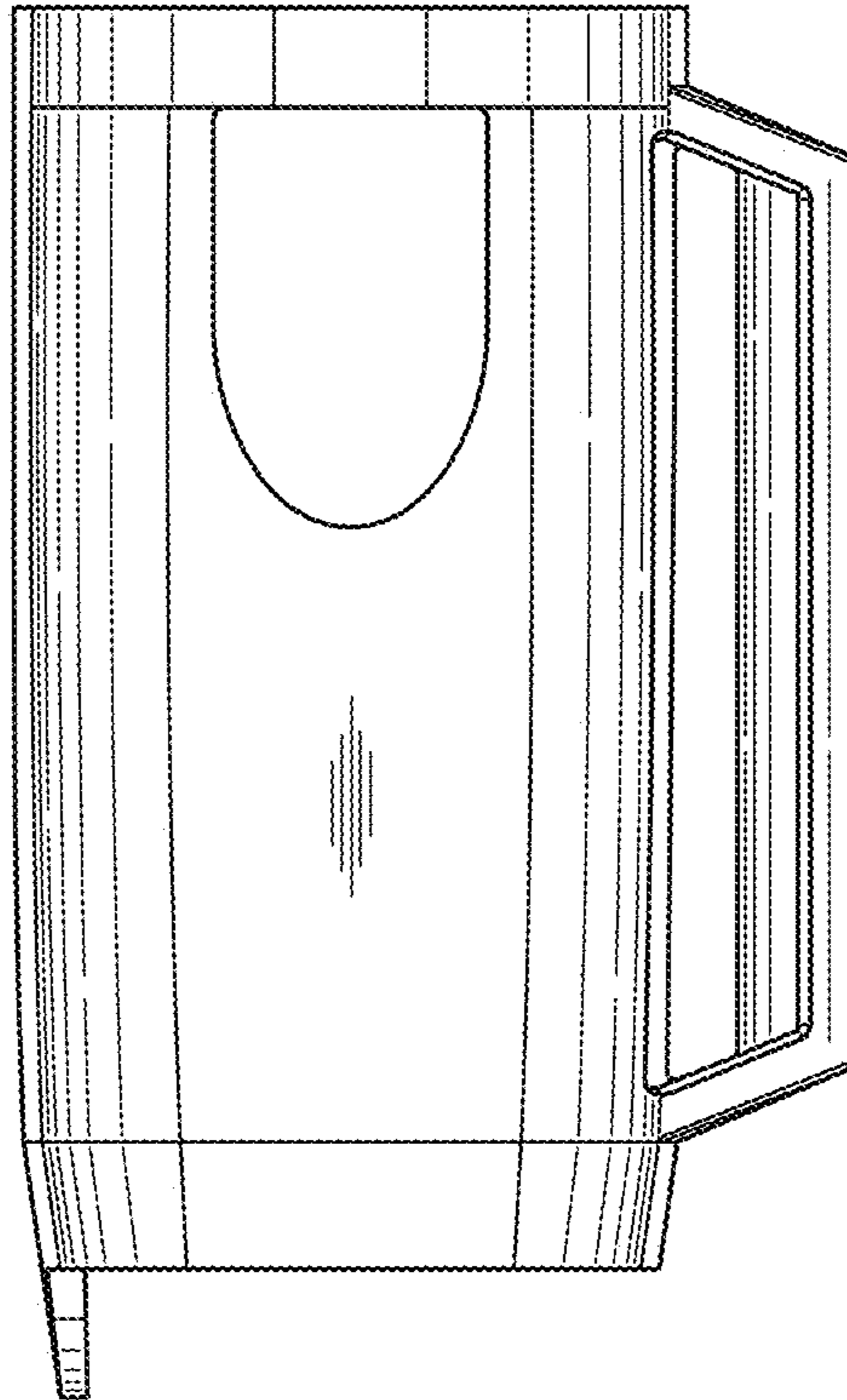


FIG. 5

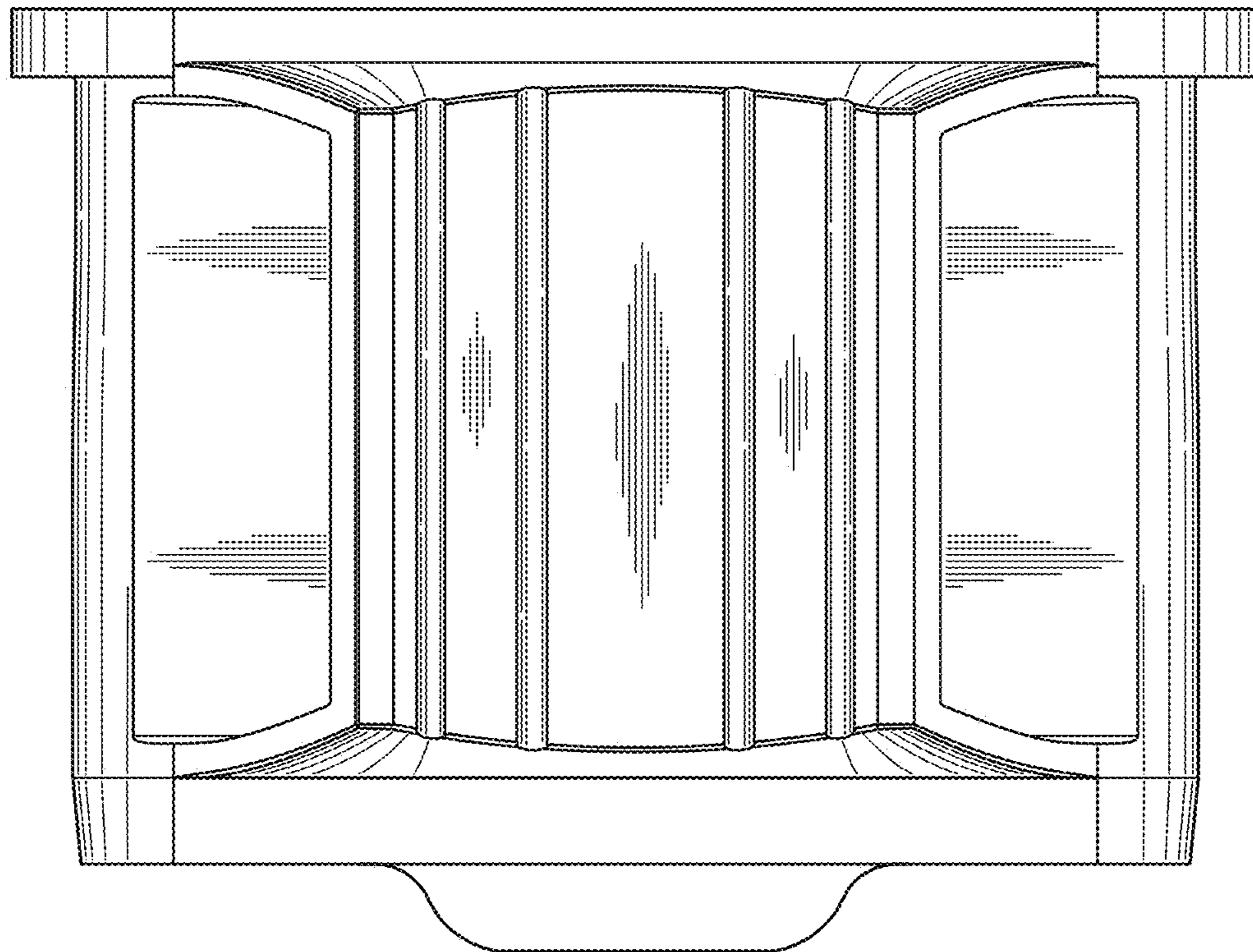


FIG. 6

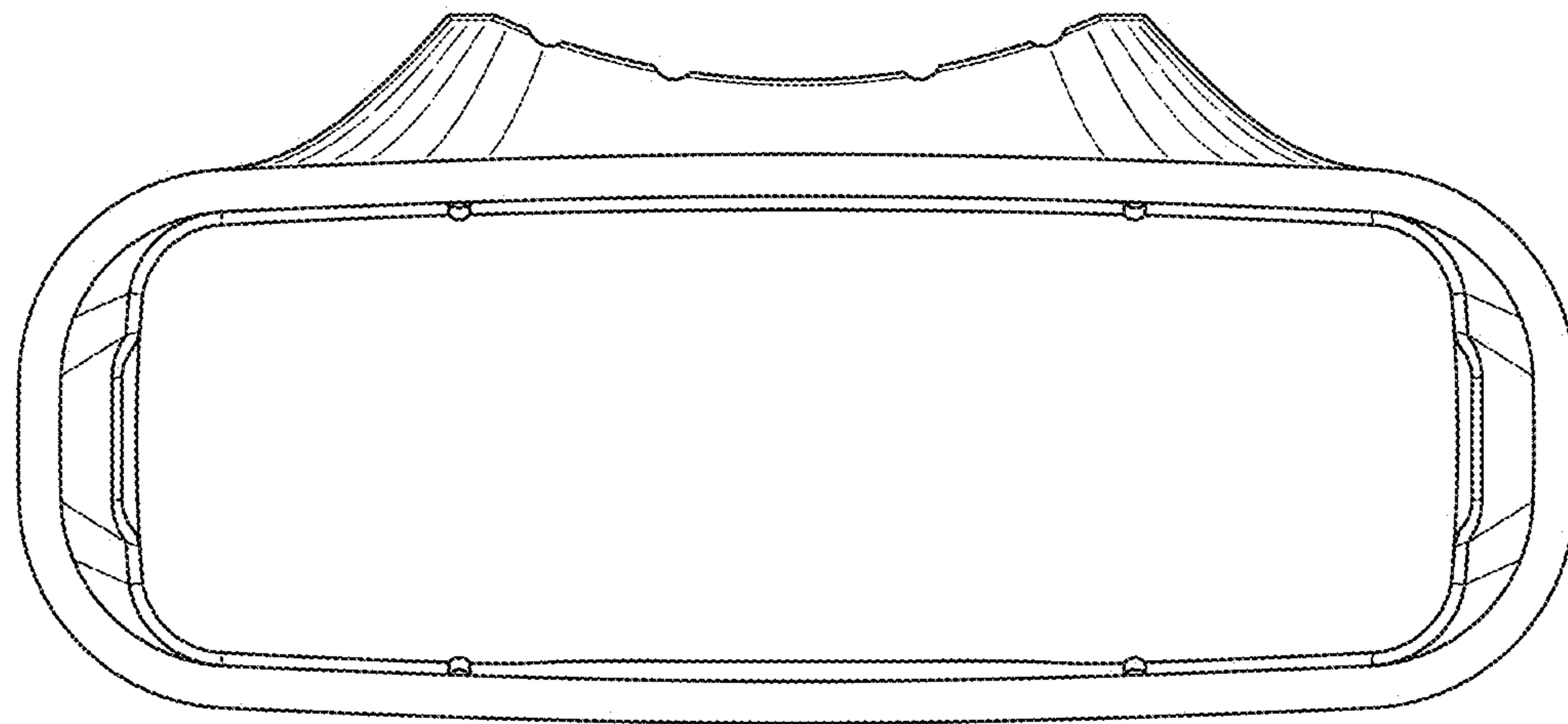


FIG. 7

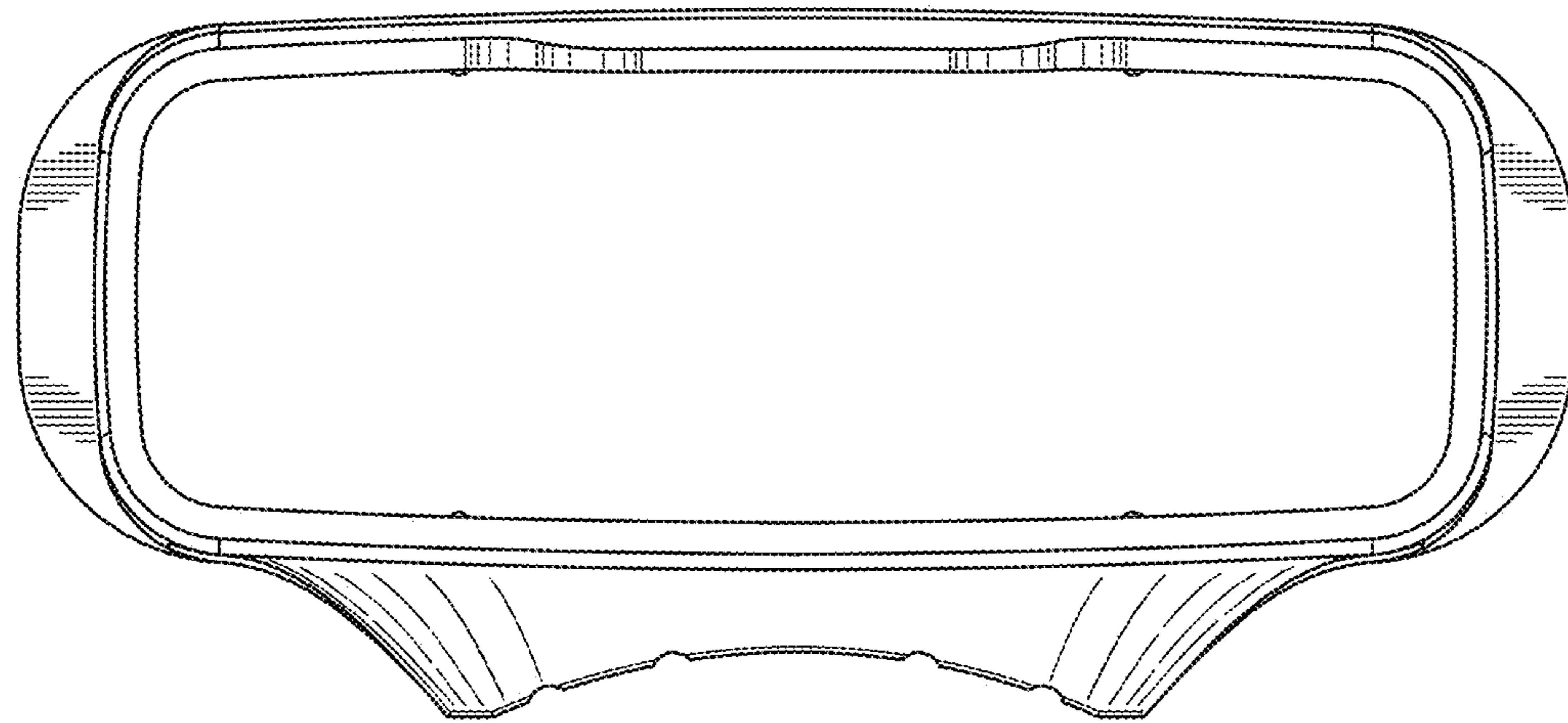


FIG. 8