



US00D974872S

(12) **United States Design Patent** (10) **Patent No.:** **US D974,872 S**
Ocklenburg (45) **Date of Patent:** **** Jan. 10, 2023**

(54) **LOCK** D745,366 S 12/2015 Ocklenburg
D781,133 S * 3/2017 Heinemann D8/336
(71) Applicant: **ABUS August Bremicker Söhne KG,** D825,313 S * 8/2018 Ocklenburg D8/339
Wetter/Volmarstein (DE) D835,967 S * 12/2018 Ocklenburg D8/330
D918,013 S * 5/2021 Yang D8/333
(72) Inventor: **Matthias Ocklenburg,** Darmstadt (DE) D927,961 S * 8/2021 Drechsel D8/336
2009/0025437 A1 * 1/2009 Hentschel E05B 37/025
70/186

(73) Assignee: **ABUS August Bremicker Söhne KG** (Continued)

(**) Term: **15 Years** FOREIGN PATENT DOCUMENTS

(21) Appl. No.: **29/761,312** DE 102005040066 A1 3/2007
EM 003964520001 10/2005

(22) Filed: **Dec. 8, 2020** (Continued)

(30) **Foreign Application Priority Data** OTHER PUBLICATIONS

Jun. 9, 2020 (EM) 007992755 Bordo 6500A SmartX, by ABUS on facebook.com. Dated May 13,
(51) **LOC (14) Cl.** **08-07** 2021. Found online [Jul. 22, 2022]. https://www.facebook.com/ABUS1924/photos/?ref=page_internal.*

(52) **U.S. Cl.** (Continued)
USPC **D8/334; D8/333; D8/343**

(58) **Field of Classification Search** *Primary Examiner* — Marissa J Cash
USPC D8/334, 333, 343, 339, 335, 330, 331, *Assistant Examiner* — Kayla Marie Bennett
D8/332; D99/28, 34, 35, 36
CPC E05B 77/00; E05B 71/00; E05B 67/36; (74) *Attorney, Agent, or Firm* — Dinsmore & Shohl LLP
E05B 65/00; E05B 67/063; E05B 13/10;
E05B 2047/0084; E05B 77/28; E05B

(57) **CLAIM**
The ornamental design for a lock, as shown and described.
37/00; E05B 2047/0068; E05B
2047/0024; E05B 85/10; E05B 37/025;
E05B 41/00

See application file for complete search history.

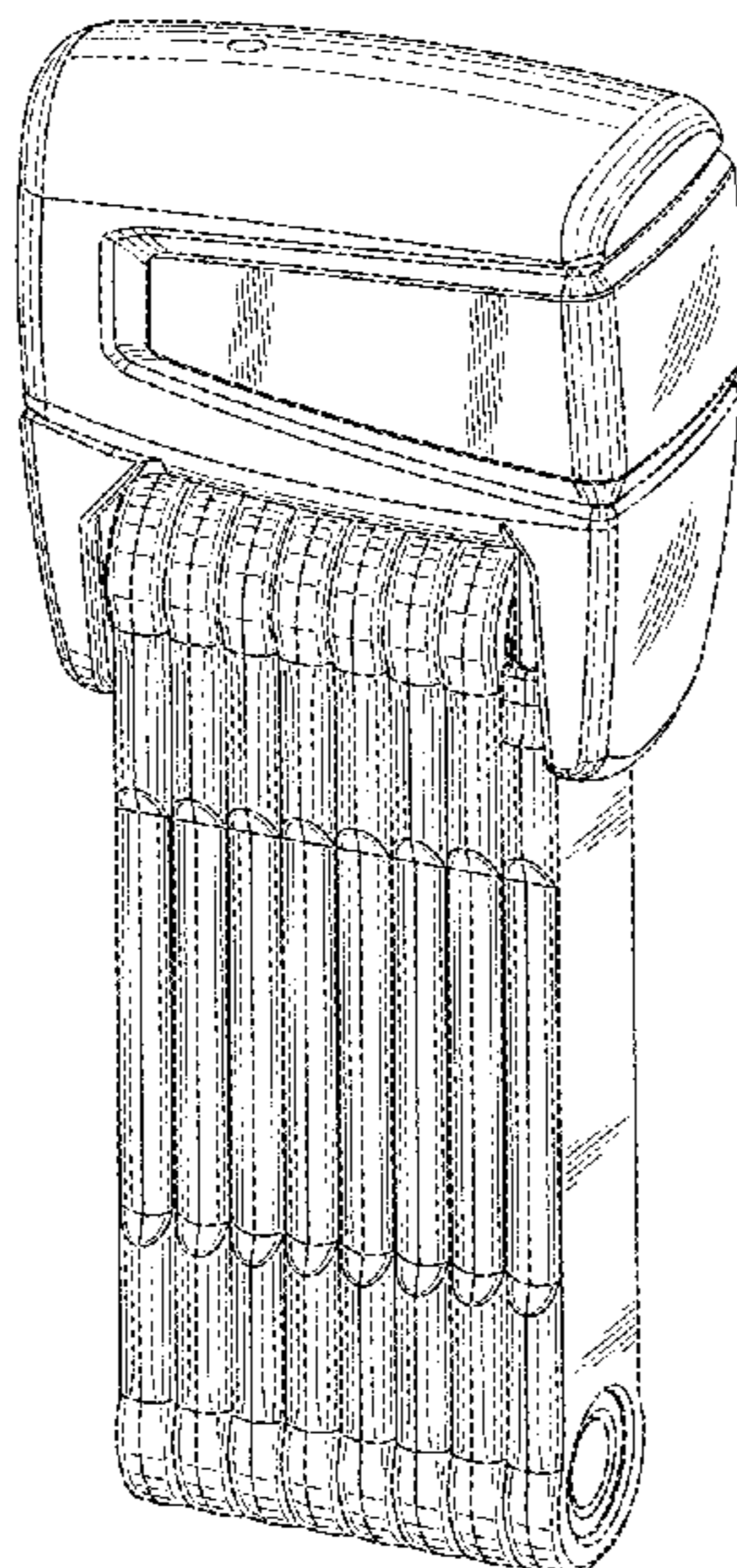
(56) **References Cited**

U.S. PATENT DOCUMENTS

D579,756 S * 11/2008 Hentschel E05B 67/003
D8/336
D657,657 S * 4/2012 Golling D8/334
D658,037 S * 4/2012 Golling D8/334
8,156,772 B2 4/2012 Buhl et al.
D660,683 S * 5/2012 Golling D8/324
D660,684 S * 5/2012 Golling D8/324

FIG. 1 is a front perspective view of a lock showing my new design;
FIG. 2 is a rear perspective view thereof;
FIG. 3 is a front view thereof;
FIG. 4 is a rear view is a thereof;
FIG. 5 is a left side view thereof;
FIG. 6 is a right side view thereof;
FIG. 7 is a top view thereof; and,
FIG. 8 is a bottom view thereof.

1 Claim, 8 Drawing Sheets



(56)

References Cited

U.S. PATENT DOCUMENTS

2011/0154870 A1* 6/2011 Buhl E05B 67/003
70/233
2016/0369531 A1* 12/2016 Hommel B62J 11/00
2018/0354574 A1* 12/2018 Muller E05B 67/003
2020/0370334 A1* 11/2020 Drechsel E05B 67/003

FOREIGN PATENT DOCUMENTS

EM 0016382710002 11/2009
EM 0012925850004 9/2011
EM 0064890840001 5/2019

OTHER PUBLICATIONS

Catalog—Specialized (UK) Ltd, “Bicycles & Equipment Spring Catalog 2003” (title page and p. 27).

Catalog—ABUS, “ABUS Gesamtkatalog 2010” (pp. 1, 2, 16-19, 172).

Photograph of “RSP Folding Plate Lock” (also marketed as Magnum Onguard K-9) available in 2009.

* cited by examiner

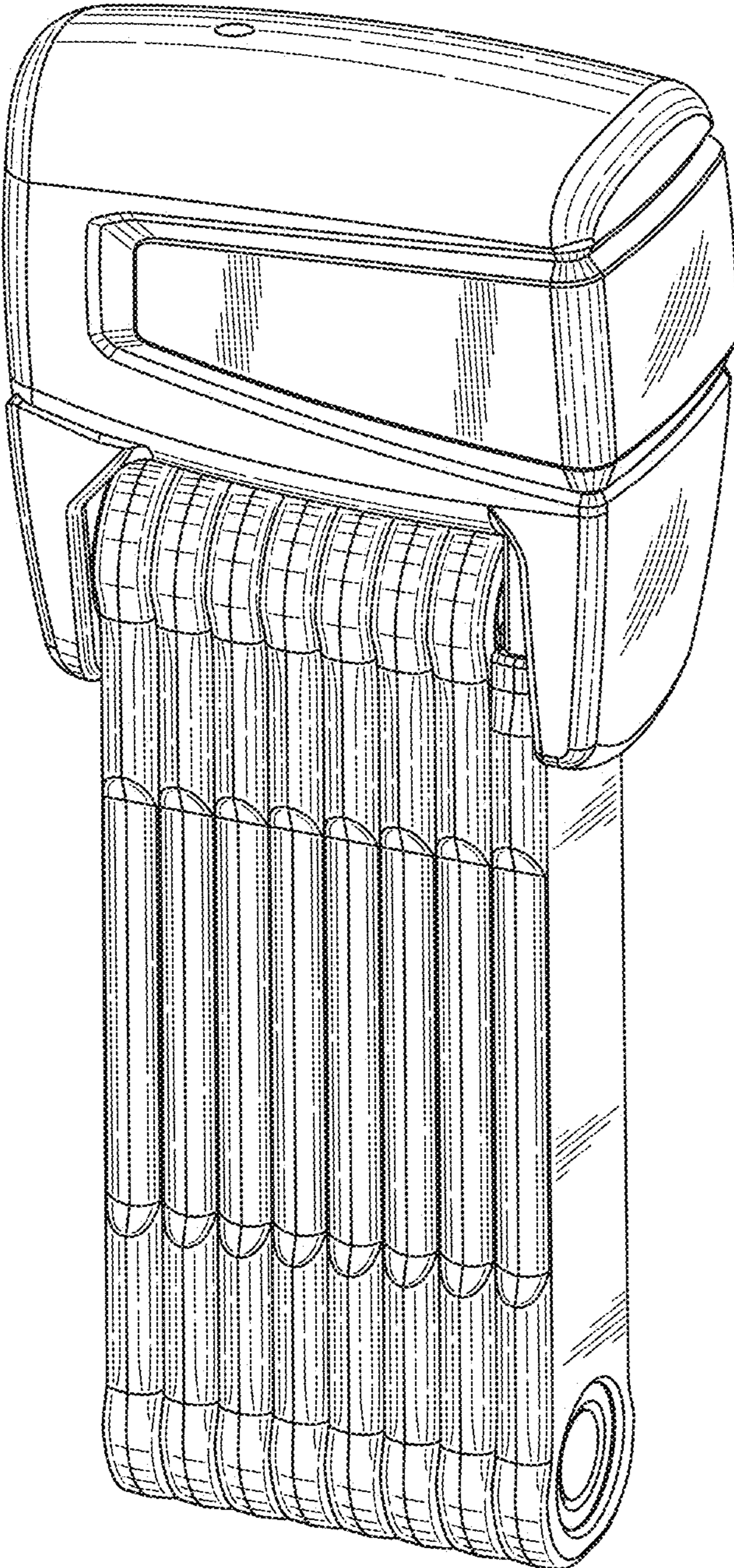


FIG. 1

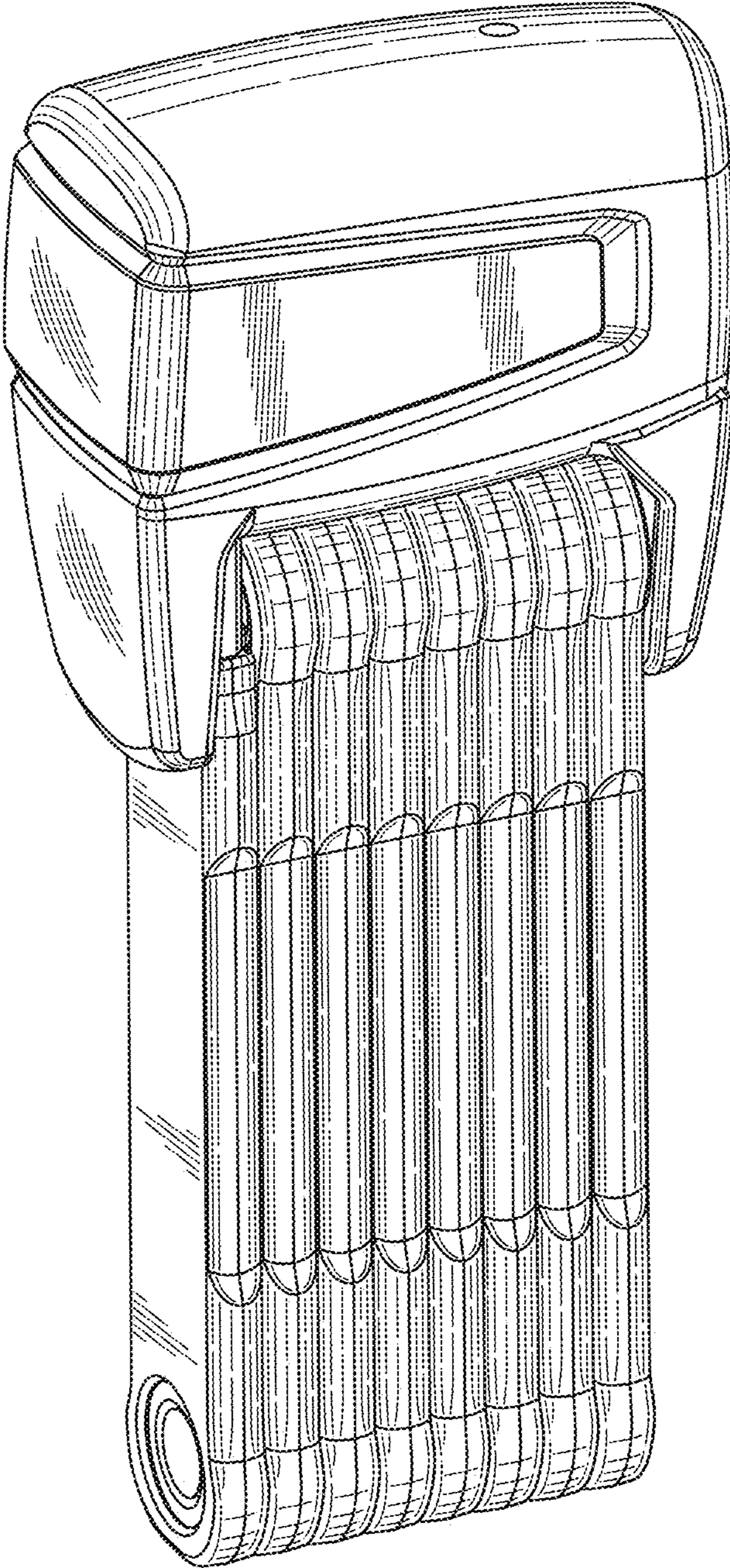


FIG. 2

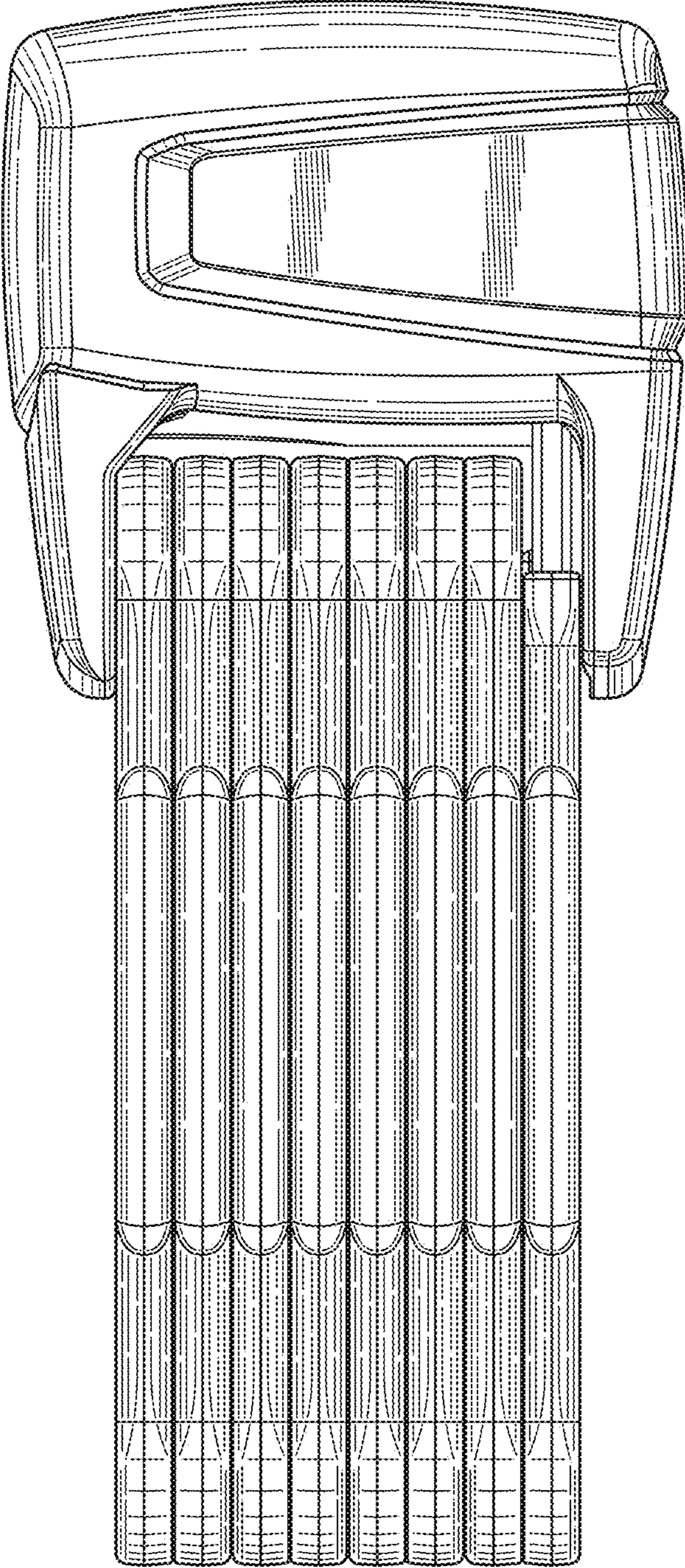


FIG. 3

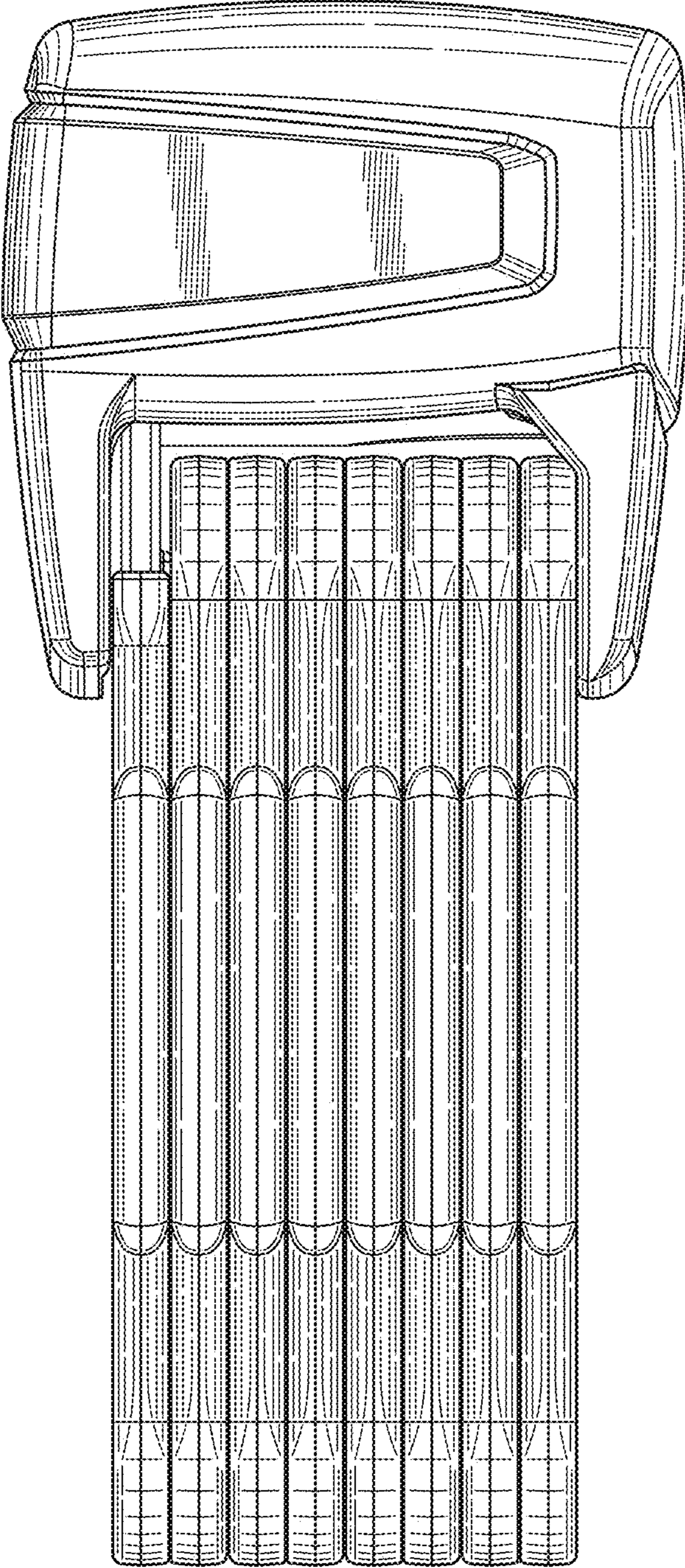


FIG. 4

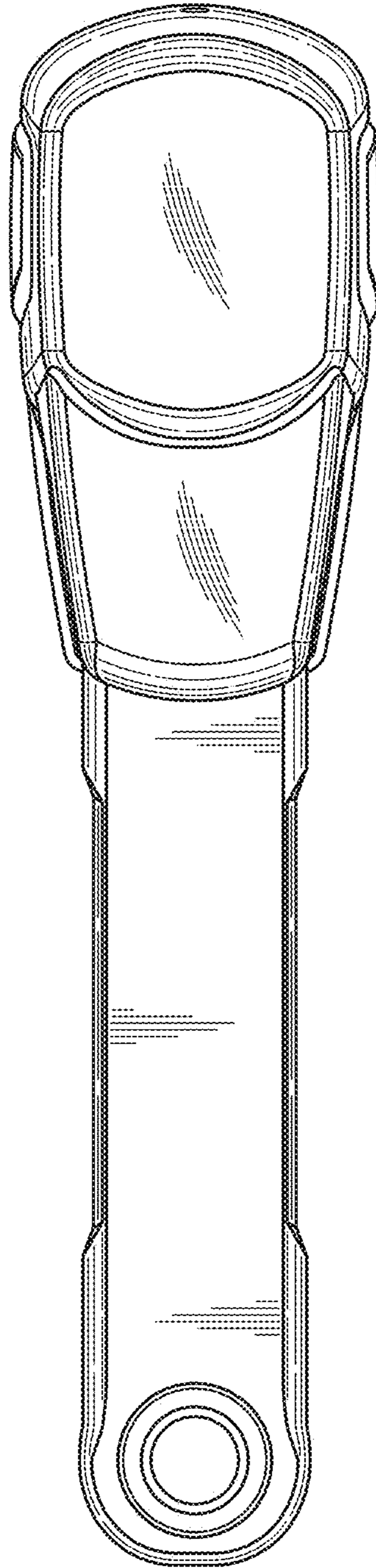


FIG. 5

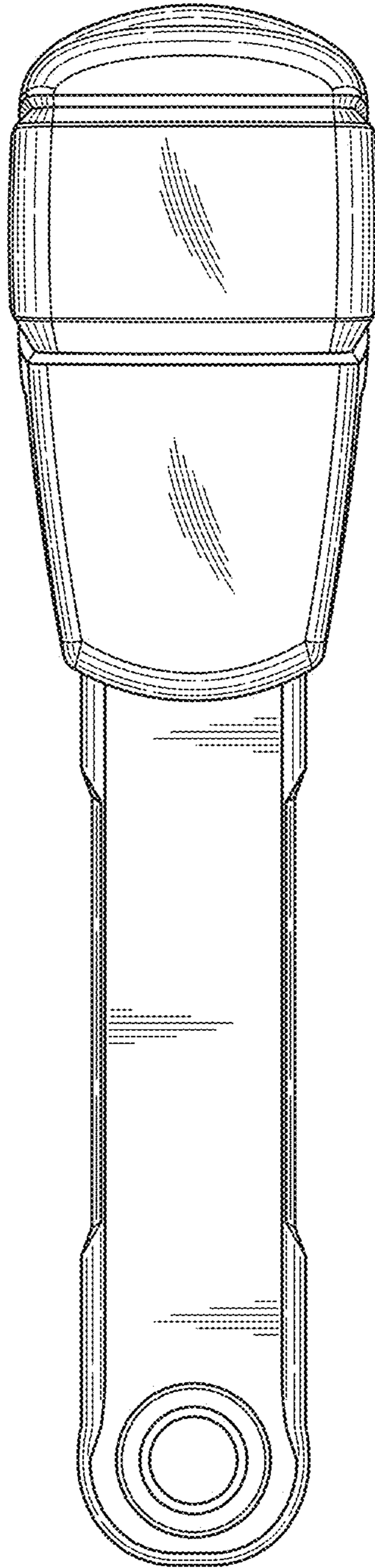


FIG. 6

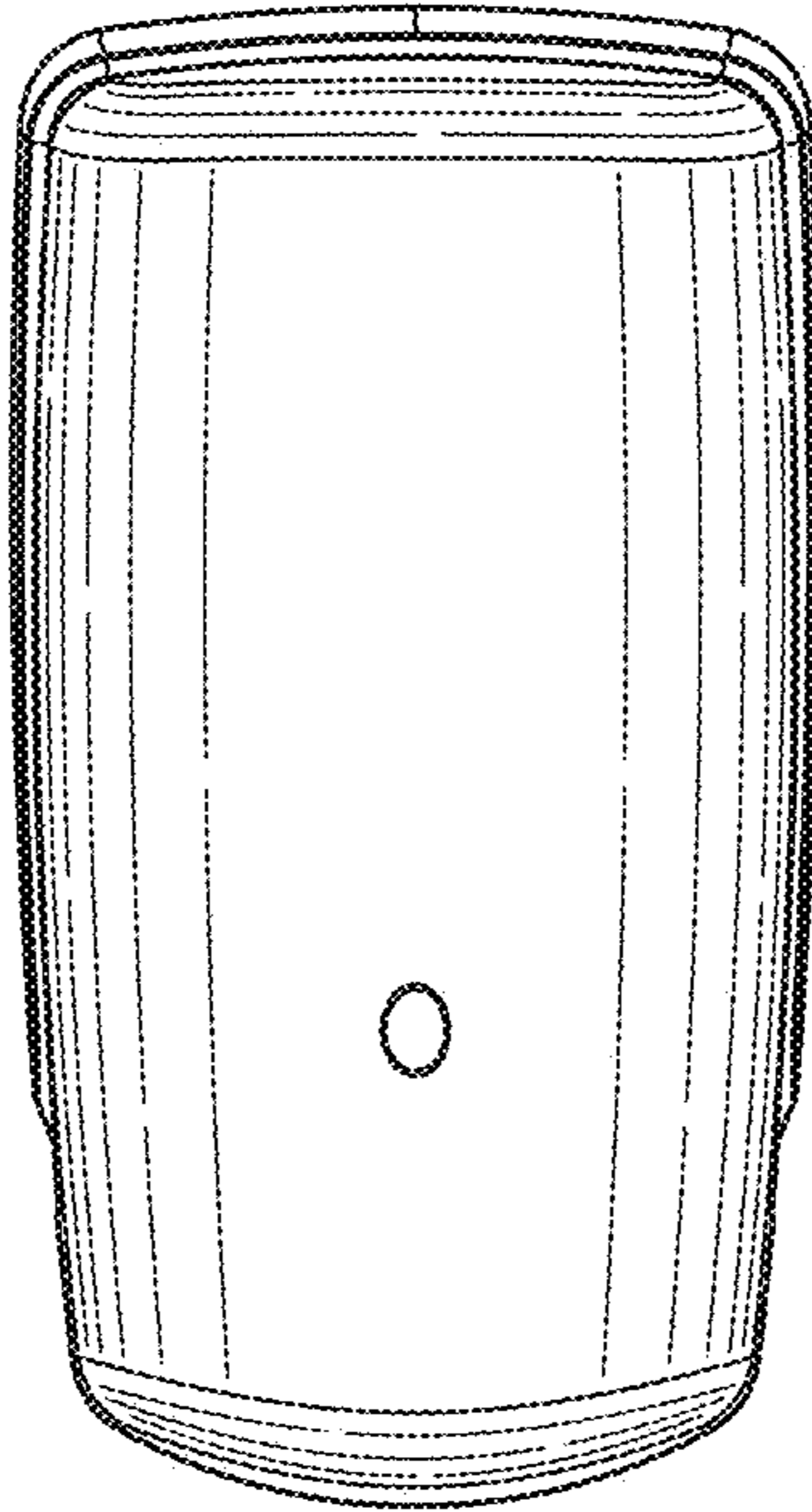


FIG. 7

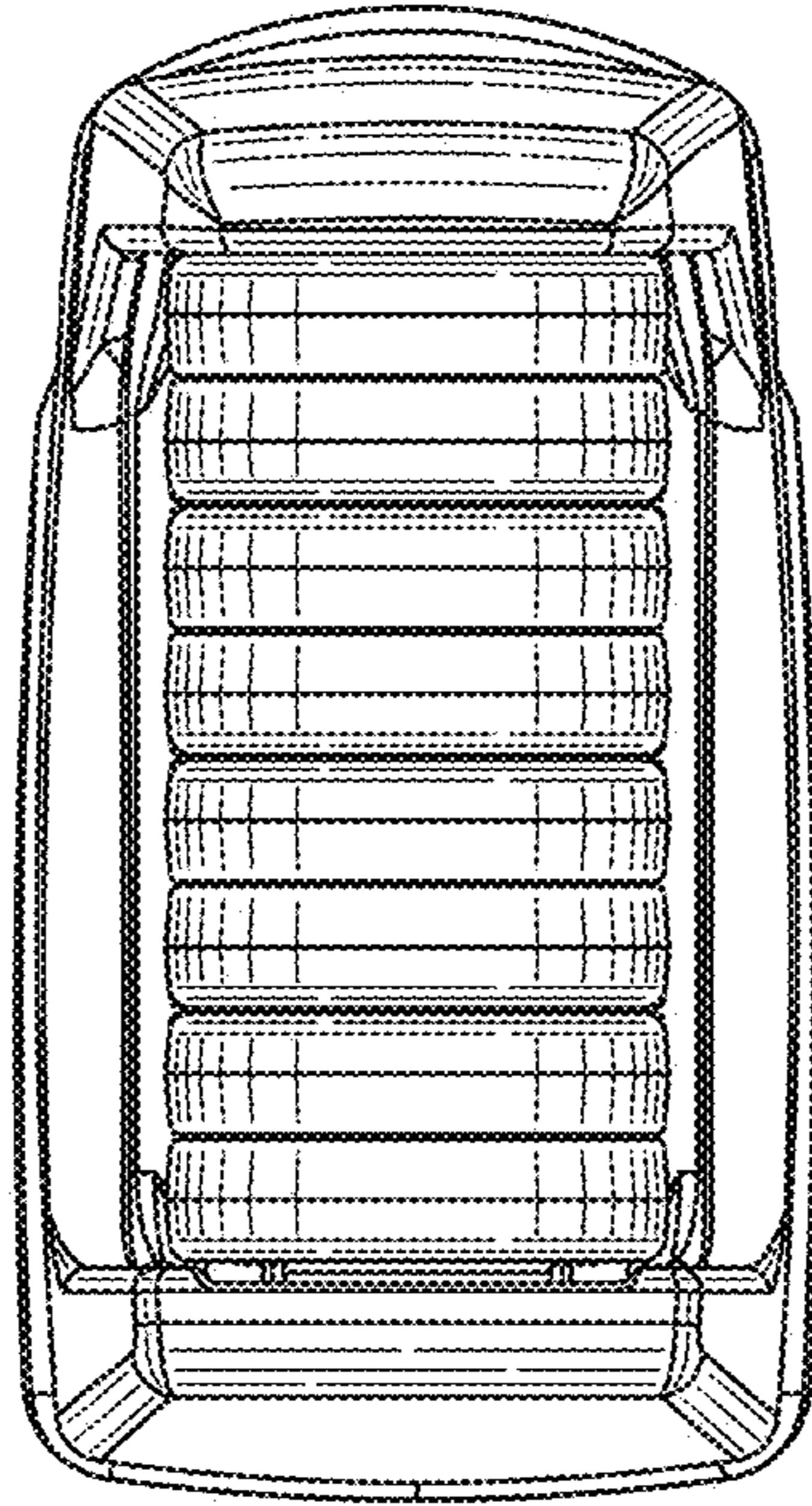


FIG. 8