



US00D974871S

(12) **United States Design Patent**
Liao

(10) **Patent No.:** **US D974,871 S**
(45) **Date of Patent:** **** Jan. 10, 2023**

(54) **ELECTRONIC DOOR LOCK**

(71) Applicant: **Jie Liao**, Wuhan (CN)

(72) Inventor: **Jie Liao**, Wuhan (CN)

(**) Term: **15 Years**

(21) Appl. No.: **29/854,945**

(22) Filed: **Sep. 29, 2022**

(51) **LOC (14) Cl.** **08-07**

(52) **U.S. Cl.**
USPC **D8/331**

(58) **Field of Classification Search**
USPC D8/331, 336
CPC E05B 9/002; E05B 37/0031; E05B
2009/004; E05B 2009/006; G05B 9/02;
G05B 19/04; G05B 19/02; G05B
19/41835; G07C 9/00309; G07C 9/0069;
G07C 2009/00452; Y10T 70/7068; Y10T
70/7141; Y10T 70/7237; Y10T 70/8568
See application file for complete search history.

(56) **References Cited**

U.S. PATENT DOCUMENTS

- 6,865,913 B2* 3/2005 Yamagishi G07C 9/00563
70/278.1
- 9,406,181 B2* 8/2016 Almomani G07C 9/00309

- D766,067 S * 9/2016 Hyde D8/331
- D769,102 S * 10/2016 Euchner D8/331
- D791,569 S 7/2017 Chen et al.
- 10,385,588 B2* 8/2019 Huang E05B 47/0012

* cited by examiner

Primary Examiner — Doris Clark

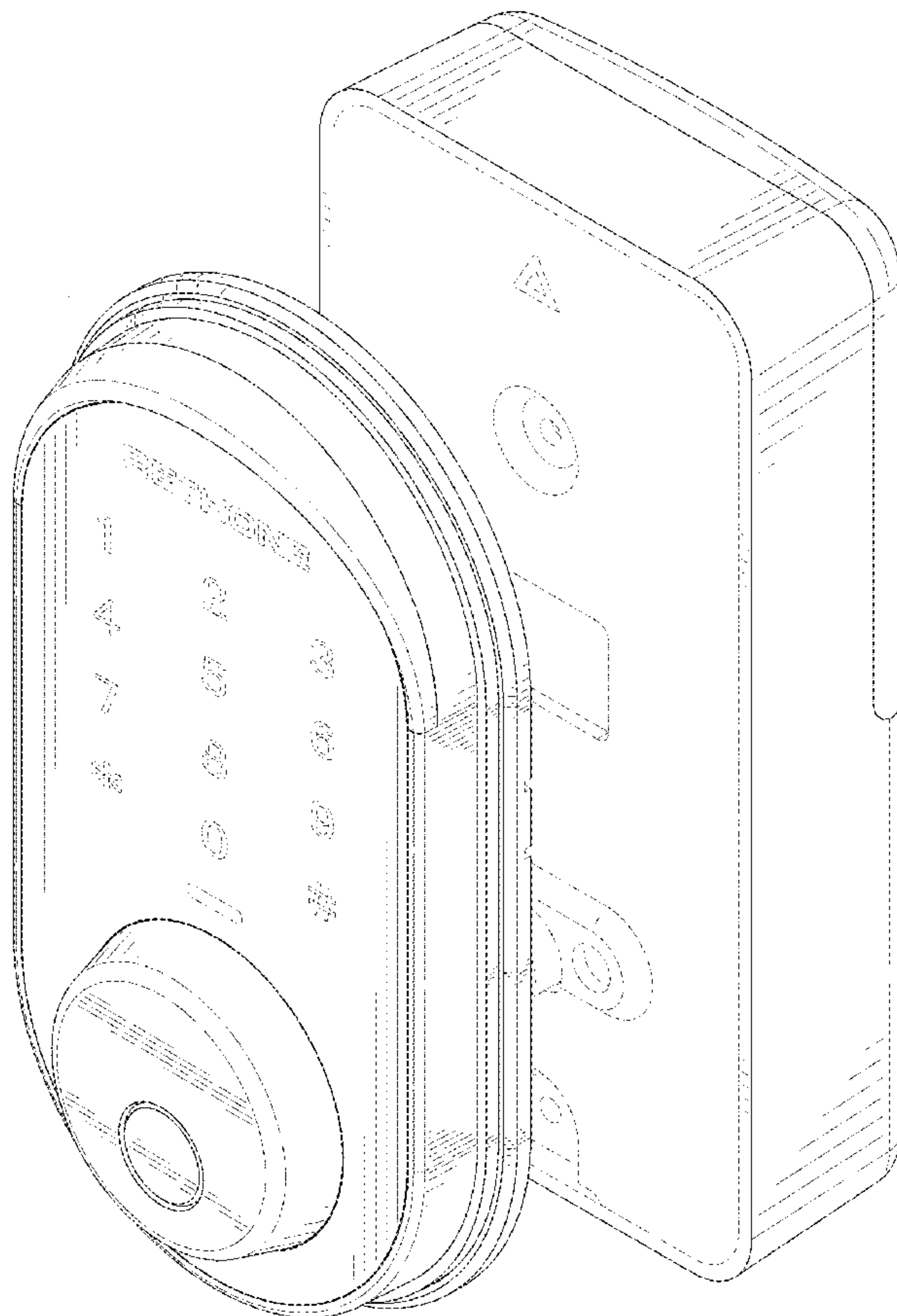
(57) **CLAIM**

The ornamental design for an electronic door lock, as shown and described.

DESCRIPTION

FIG. 1 is a front and top perspective view of an electronic door lock, showing my new design;
 FIG. 2 is a rear and bottom perspective view thereof;
 FIG. 3 is a front elevation view thereof;
 FIG. 4 is a rear elevation view thereof;
 FIG. 5 is a left side elevation view thereof;
 FIG. 6 is a right side elevation view thereof;
 FIG. 7 is a top plan view thereof; and,
 FIG. 8 is a bottom plan view thereof.
 The broken lines in the figures illustrate portions of the electronic door lock that form no part of the claimed design.

1 Claim, 8 Drawing Sheets



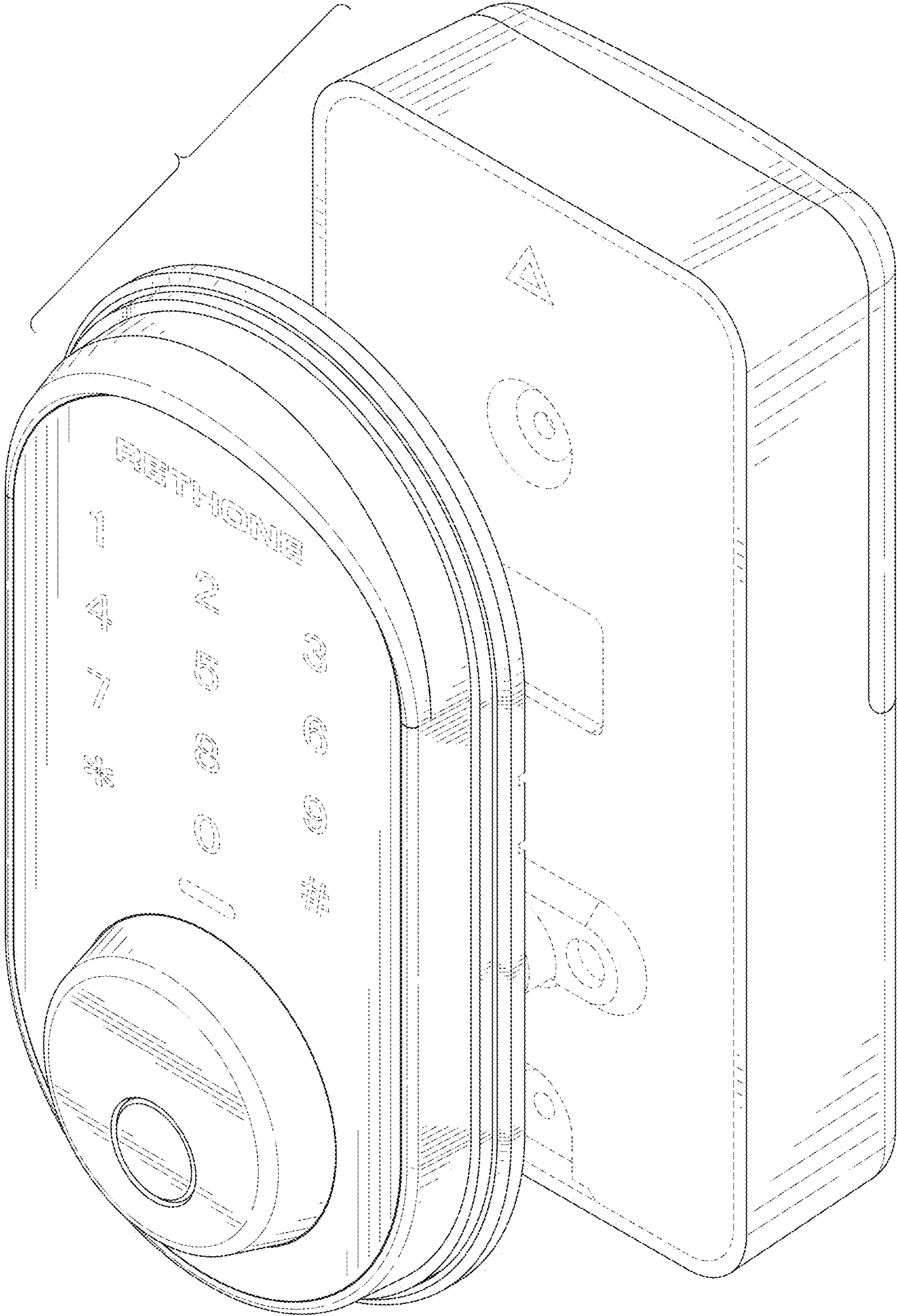


FIG. 1

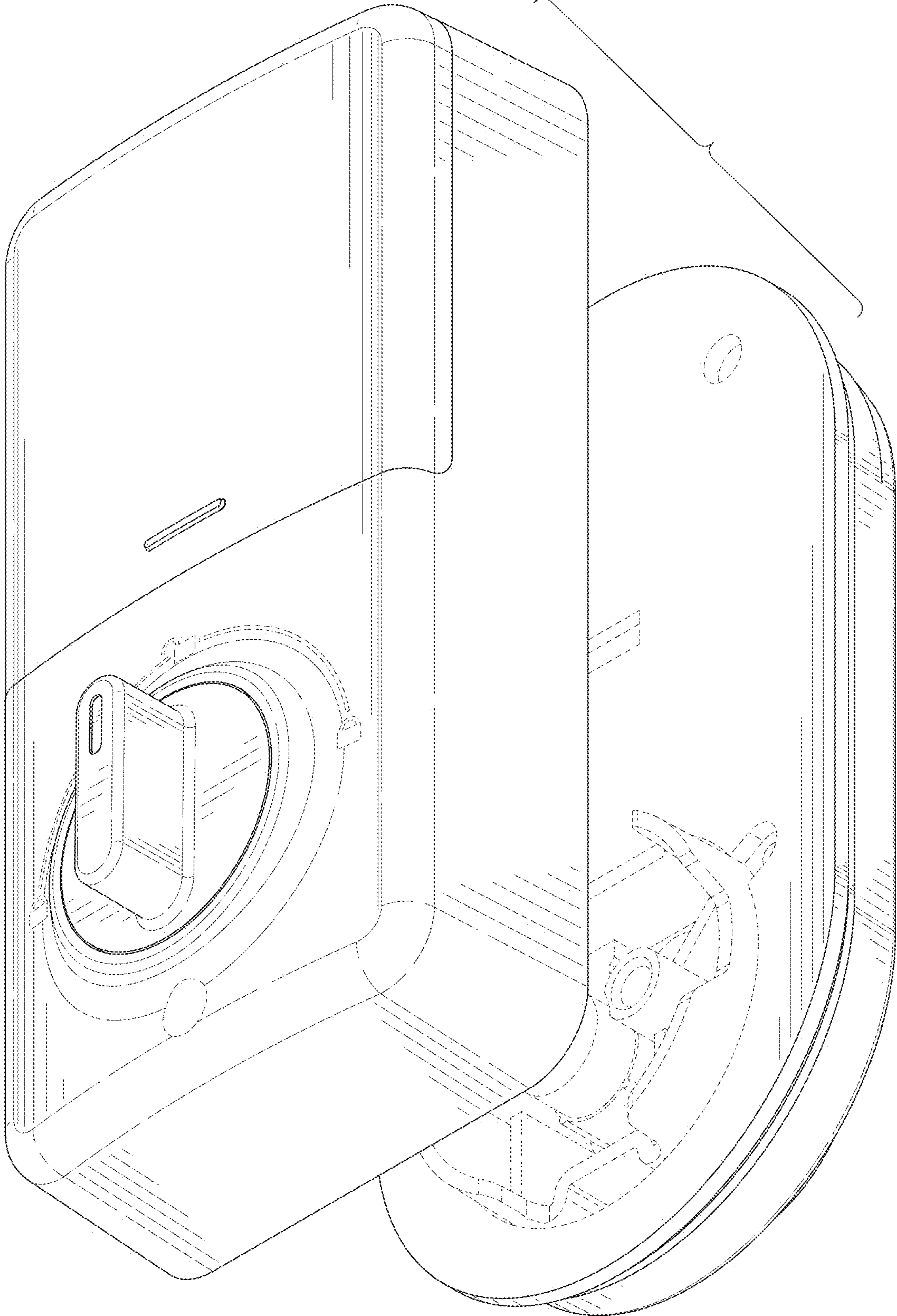


FIG. 2

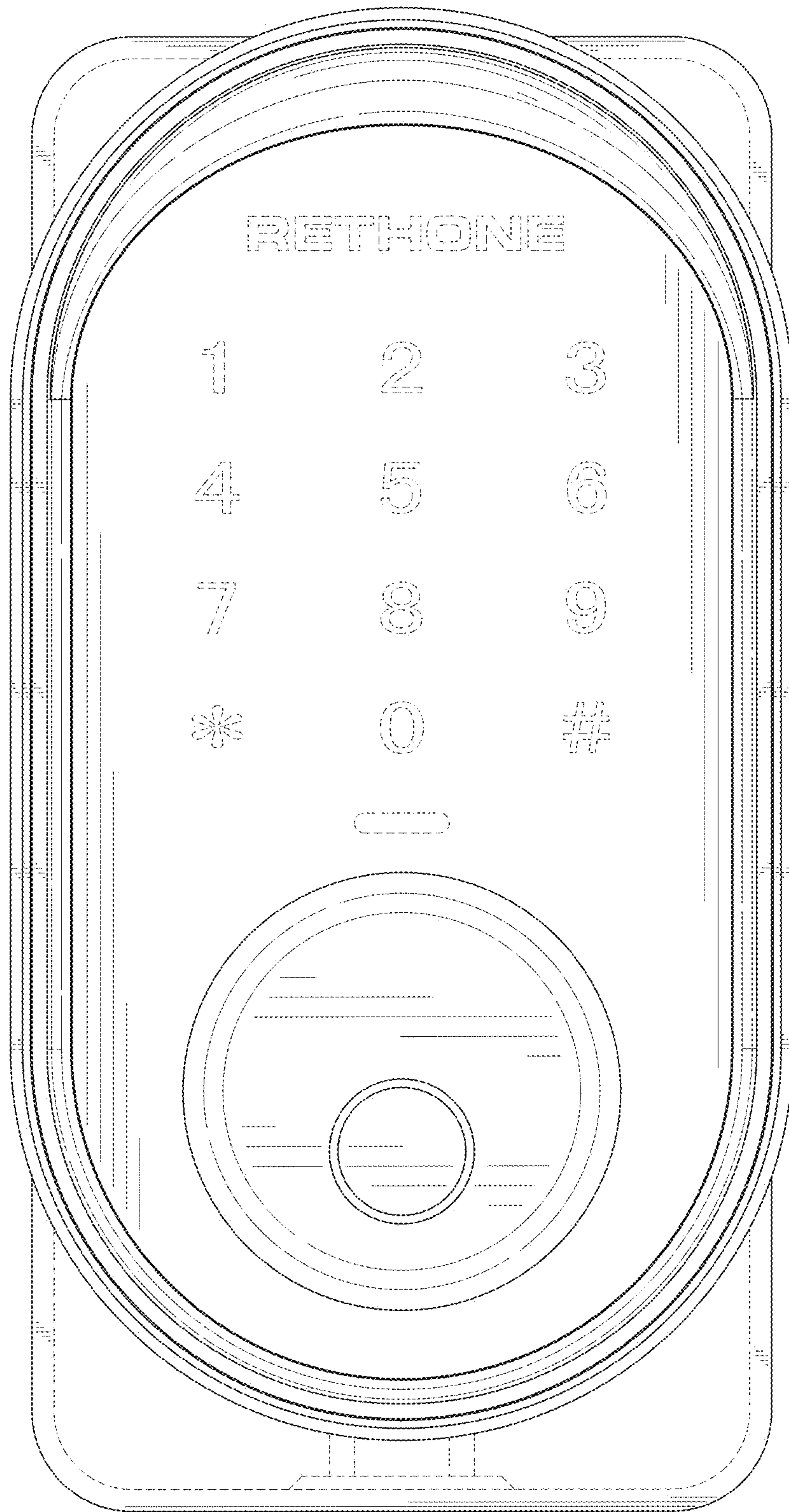


FIG. 3

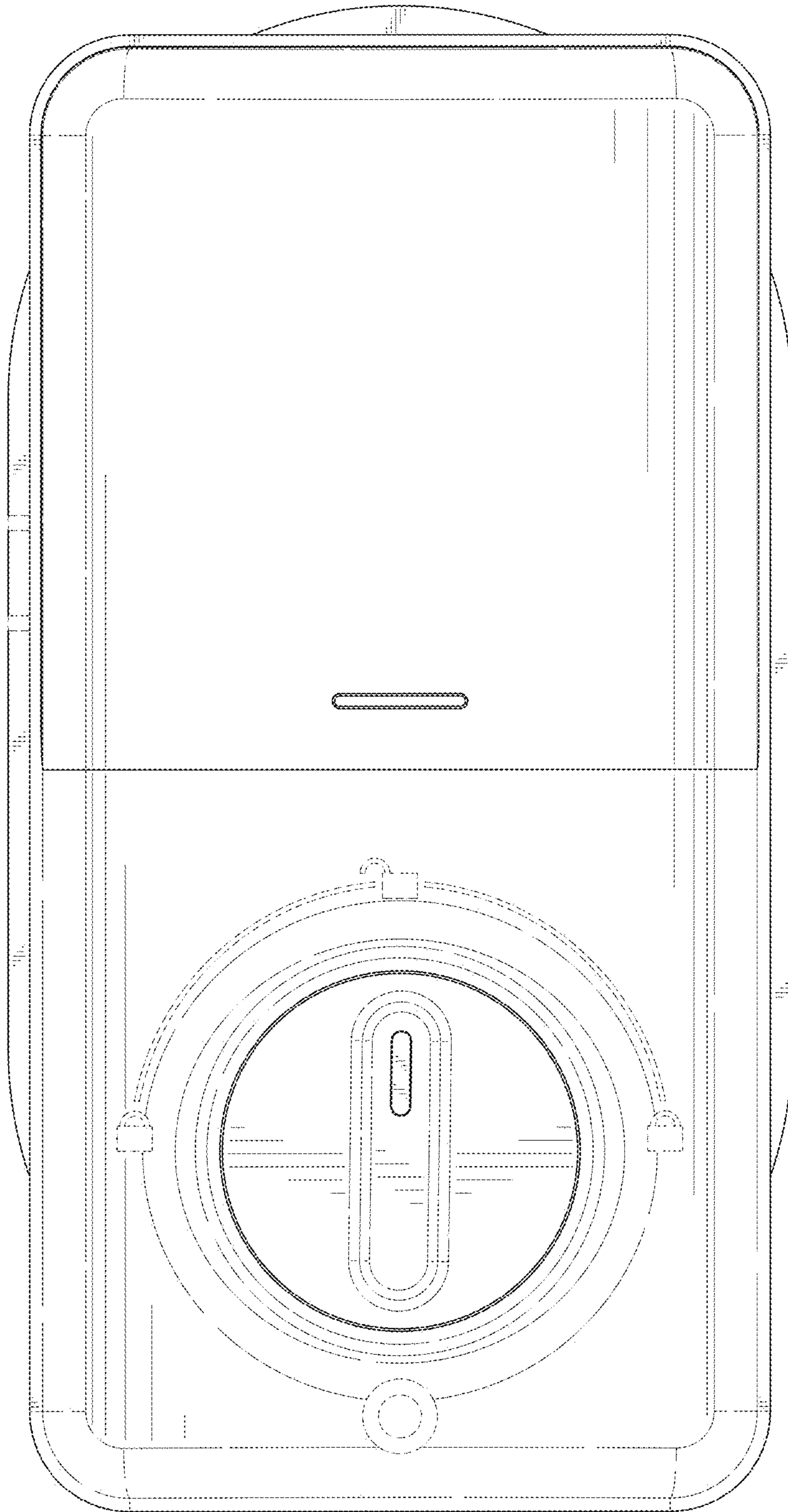


FIG. 4

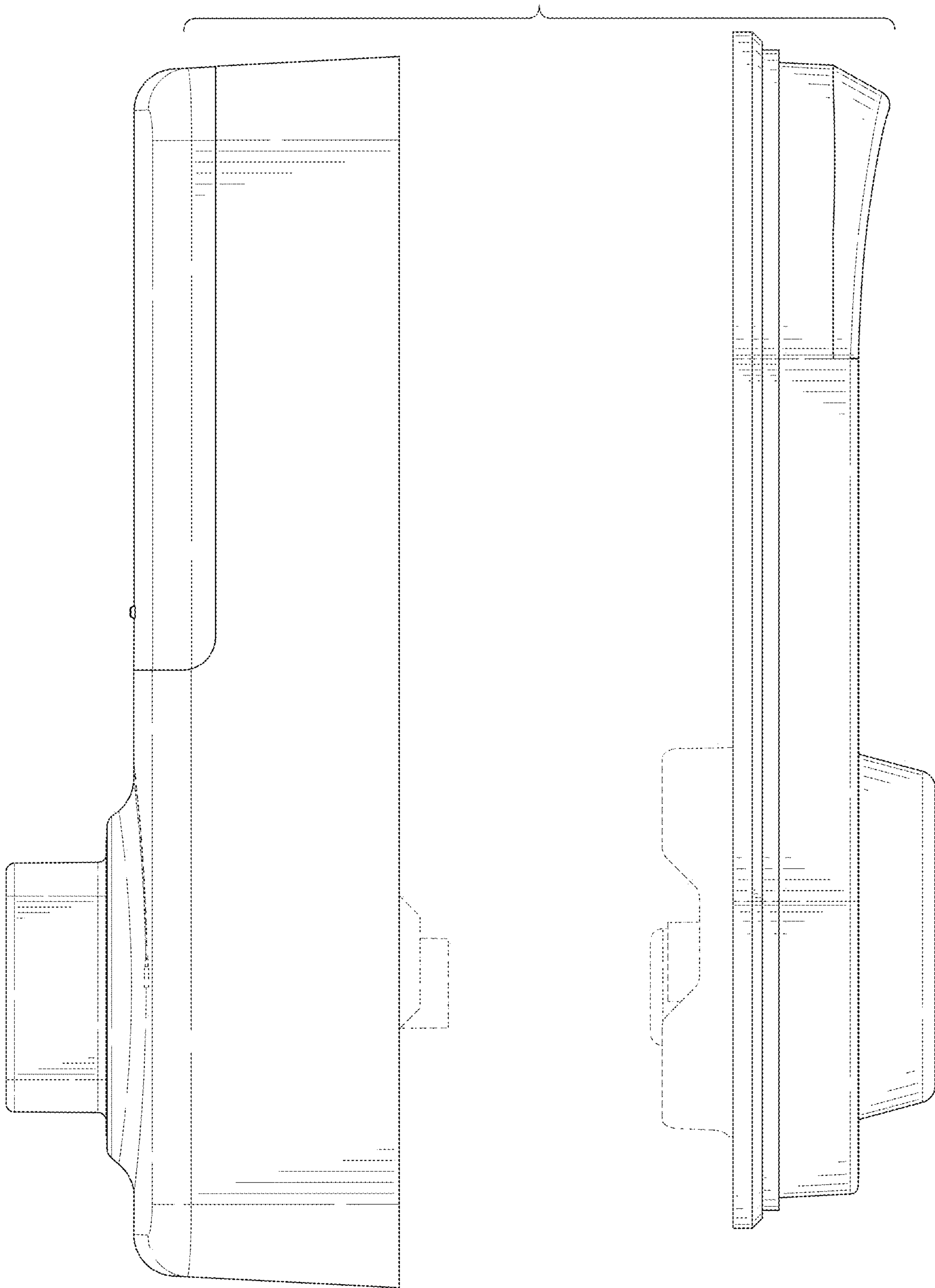


FIG. 5

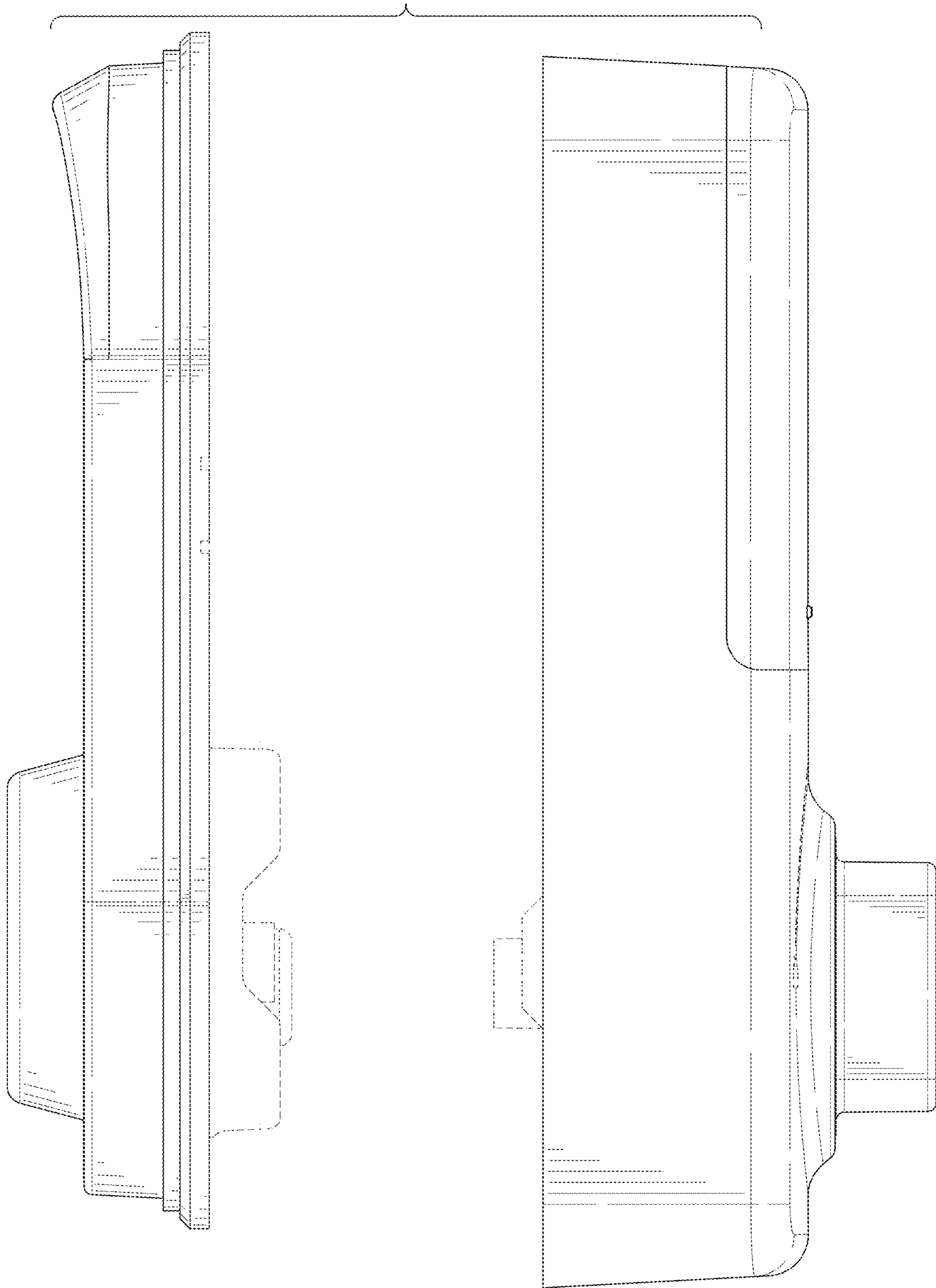


FIG. 6

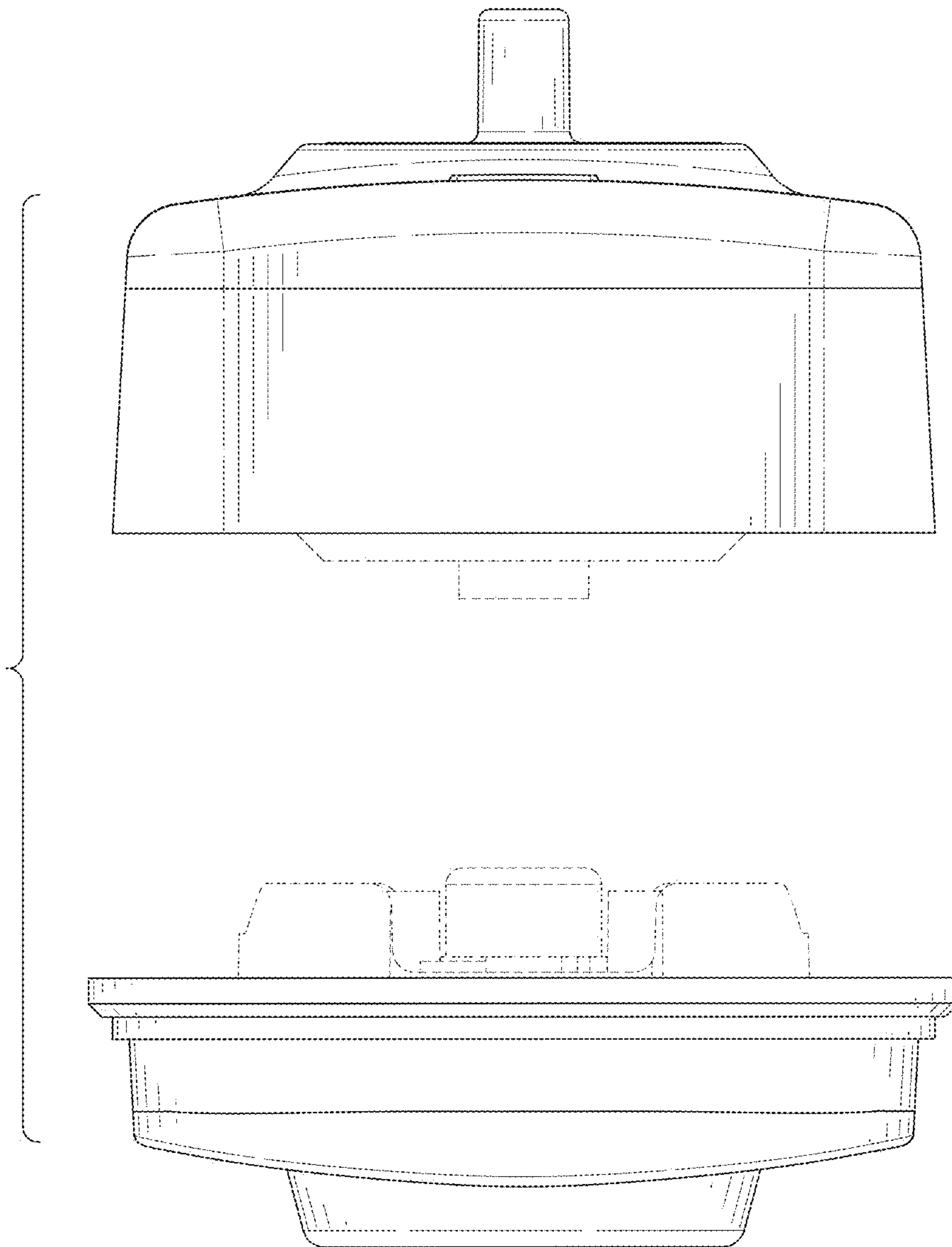


FIG. 7

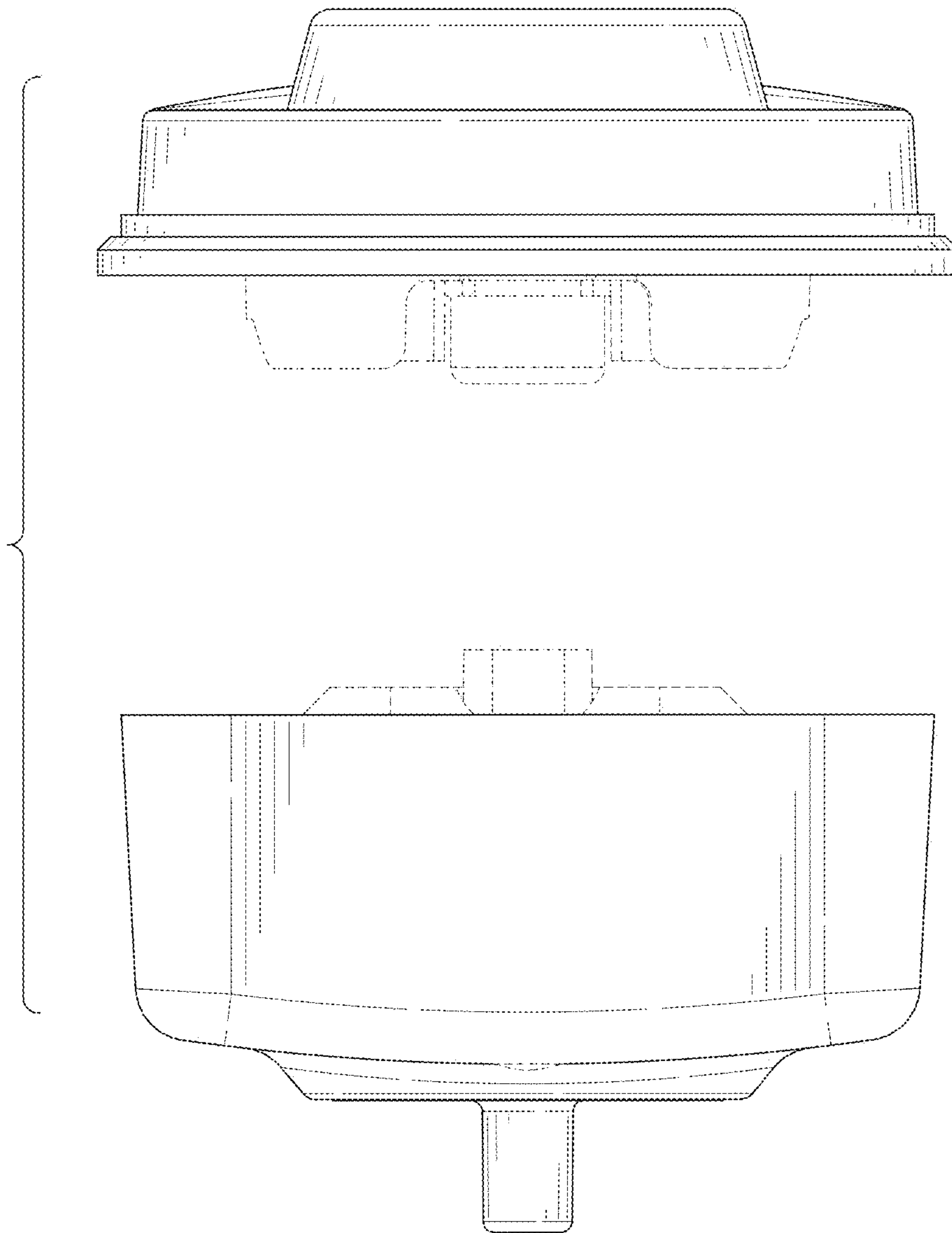


FIG. 8