



US00D974870S

(12) **United States Design Patent** (10) **Patent No.:** **US D974,870 S**  
**Dabbekeh et al.** (45) **Date of Patent:** **\*\* Jan. 10, 2023**

(54) **IMPACT WRENCH**

FOREIGN PATENT DOCUMENTS

(71) Applicant: **Snap-on Incorporated**, Kenosha, WI (US)

CN 303674697 5/2016  
CN 304966344 12/2018  
CN 305230314 6/2019

(72) Inventors: **John Dabbekeh**, Kenosha, WI (US);  
**Collin Kohls**, Kenosha, WI (US)

OTHER PUBLICATIONS

(73) Assignee: **Snap-on Incorporated**, Kenosha, WI (US)

Taiwan Office Action for corresponding Taiwan Application No. 11020788500 dated Aug. 17, 2021, 2 pages.

(Continued)

(\*\*) Term: **15 Years**

*Primary Examiner* — Darlington Ly

(21) Appl. No.: **29/743,191**

(74) *Attorney, Agent, or Firm* — Seyfarth Shaw LLP

(22) Filed: **Jul. 20, 2020**

(57) **CLAIM**

(51) **LOC (14) Cl.** ..... **08-05**

The ornamental design for an impact wrench, as shown and described.

(52) **U.S. Cl.**

**DESCRIPTION**

USPC ..... **D8/68**

(58) **Field of Classification Search**

USPC ..... D8/61, 67, 68

CPC ..... B62D 23/005; B60Q 1/0005

See application file for complete search history.

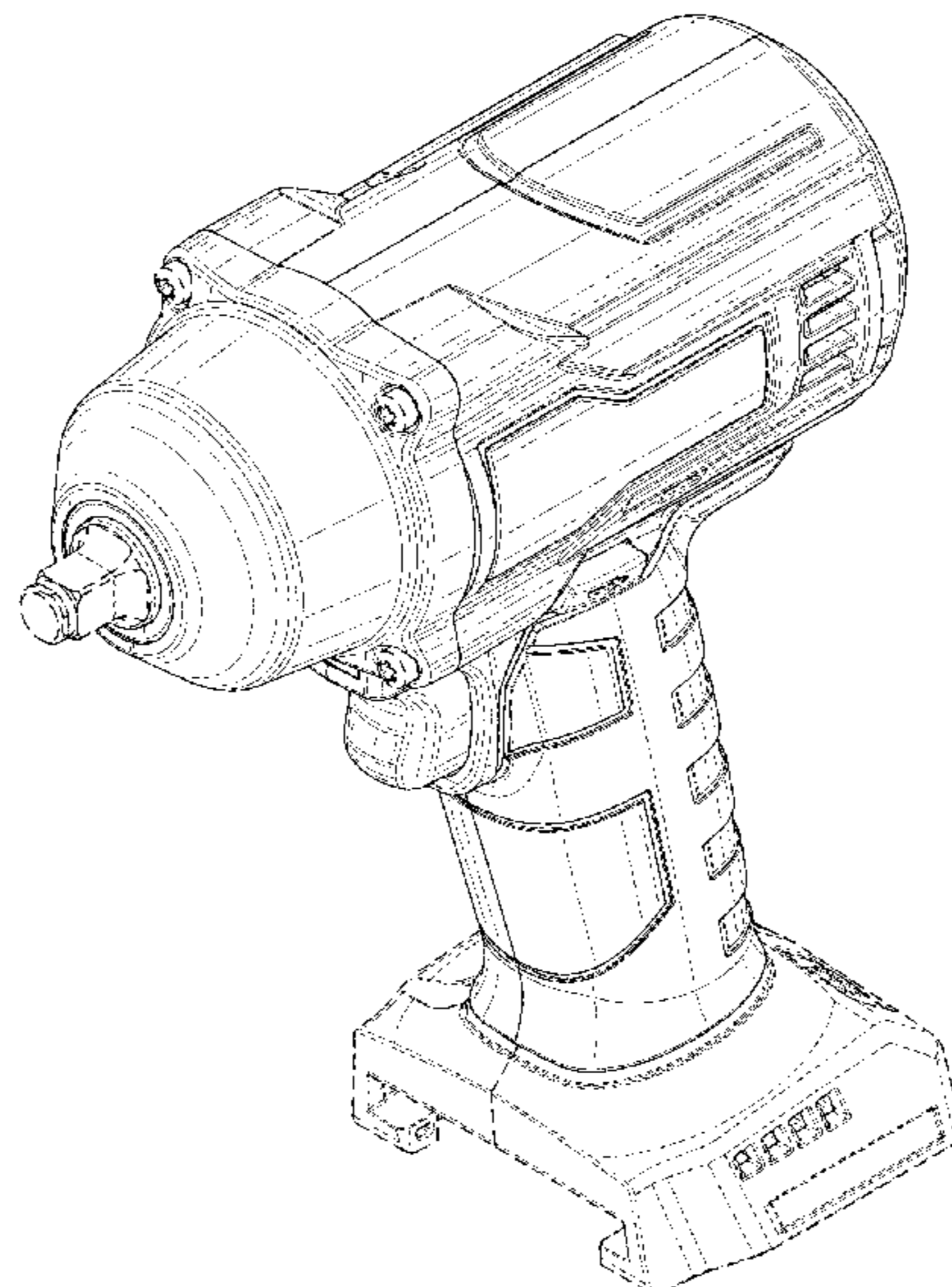
(56) **References Cited**

U.S. PATENT DOCUMENTS

D294,001 S *	2/1988	Greenlee	.....	D8/68
D388,678 S *	1/1998	Bantly	.....	D8/68
D393,580 S *	4/1998	Bantly	.....	D8/68
6,082,468 A *	7/2000	Pusateri	.....	B25F 5/02
				173/171
D434,297 S *	11/2000	Iritani	.....	D8/68
D434,298 S *	11/2000	Izumisawa	.....	D8/68
D436,818 S *	1/2001	Izumisawa	.....	D8/68
D459,179 S *	6/2002	Morgan	.....	D8/68
D461,110 S *	8/2002	Izumisawa	.....	D8/68
D465,982 S *	11/2002	Taga	.....	D8/68
D469,673 S *	2/2003	Sliker	.....	D8/68
D472,782 S *	4/2003	Pusateri	.....	D8/68
D476,210 S *	6/2003	Chen	.....	D8/68
D477,512 S *	7/2003	Liu	.....	D8/68

(Continued)

**1 Claim, 14 Drawing Sheets**



(56)

**References Cited**

U.S. PATENT DOCUMENTS

D493,085 S \* 7/2004 Copeland, II ..... D8/68  
 D496,243 S \* 9/2004 Huang ..... D8/68  
 D497,529 S \* 10/2004 Price ..... D8/68  
 D497,787 S \* 11/2004 Liao ..... D8/68  
 6,883,619 B1 \* 4/2005 Huang ..... B25B 21/02  
 173/168  
 D507,732 S \* 7/2005 Nowak ..... D8/68  
 D521,339 S \* 5/2006 Chen ..... D8/68  
 D534,047 S \* 12/2006 Chi ..... D8/68  
 D540,641 S \* 4/2007 Clay ..... D8/68  
 7,673,702 B2 \* 3/2010 Johnson ..... B25B 21/00  
 173/109  
 D664,413 S 7/2012 Steinfels et al.  
 D707,522 S 6/2014 Naksen  
 D716,125 S \* 10/2014 Yaschur ..... D8/68  
 D774,860 S \* 12/2016 Colin ..... D8/68  
 D775,919 S \* 1/2017 Lee ..... D8/68  
 D837,622 S \* 1/2019 Chang ..... D8/68  
 D853,217 S \* 7/2019 Paoli ..... D8/68

D899,208 S \* 10/2020 Thompson ..... D8/68  
 D899,210 S \* 10/2020 Thompson ..... D8/68  
 D906,076 S \* 12/2020 James ..... D8/68  
 D915,853 S \* 4/2021 Lee ..... D8/68  
 D929,834 S \* 9/2021 James ..... D8/68  
 D929,835 S \* 9/2021 James ..... D8/68  
 D929,836 S \* 9/2021 James ..... D8/68  
 2002/0152848 A1 \* 10/2002 Johnson ..... B25B 23/0035  
 81/465  
 2003/0010513 A1 \* 1/2003 Taga ..... B25B 21/02  
 173/168  
 2003/0010514 A1 \* 1/2003 Taga ..... B25F 5/00  
 173/213

OTHER PUBLICATIONS

Taiwan Office Action for corresponding Application No. 11120398070  
 dated Apr. 27, 2022, 3 pages.  
 Canadian Examination Report for corresponding Application No.  
 200708 dated Apr. 29, 2022, 3 pages.

\* cited by examiner

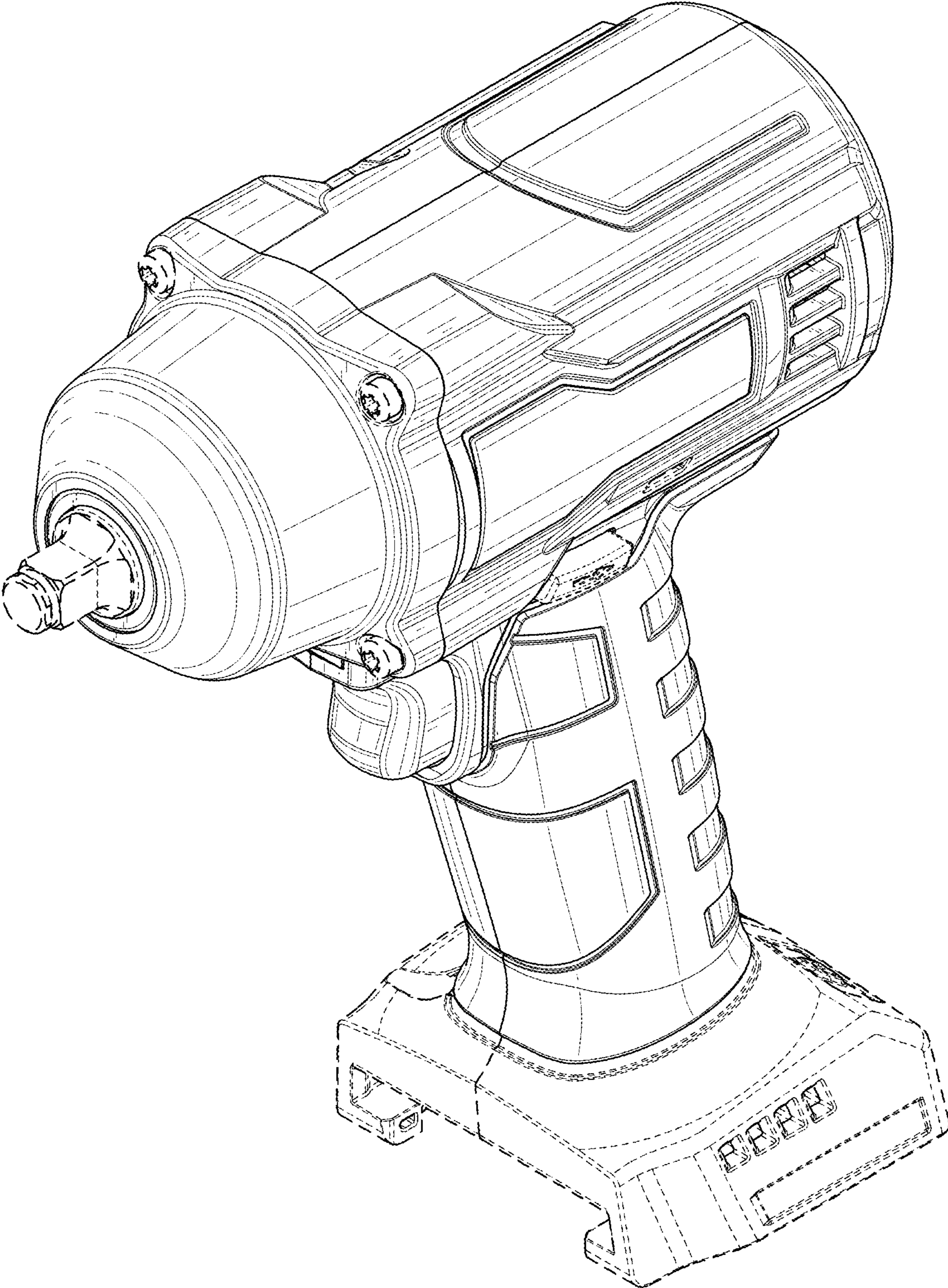


FIG. 1

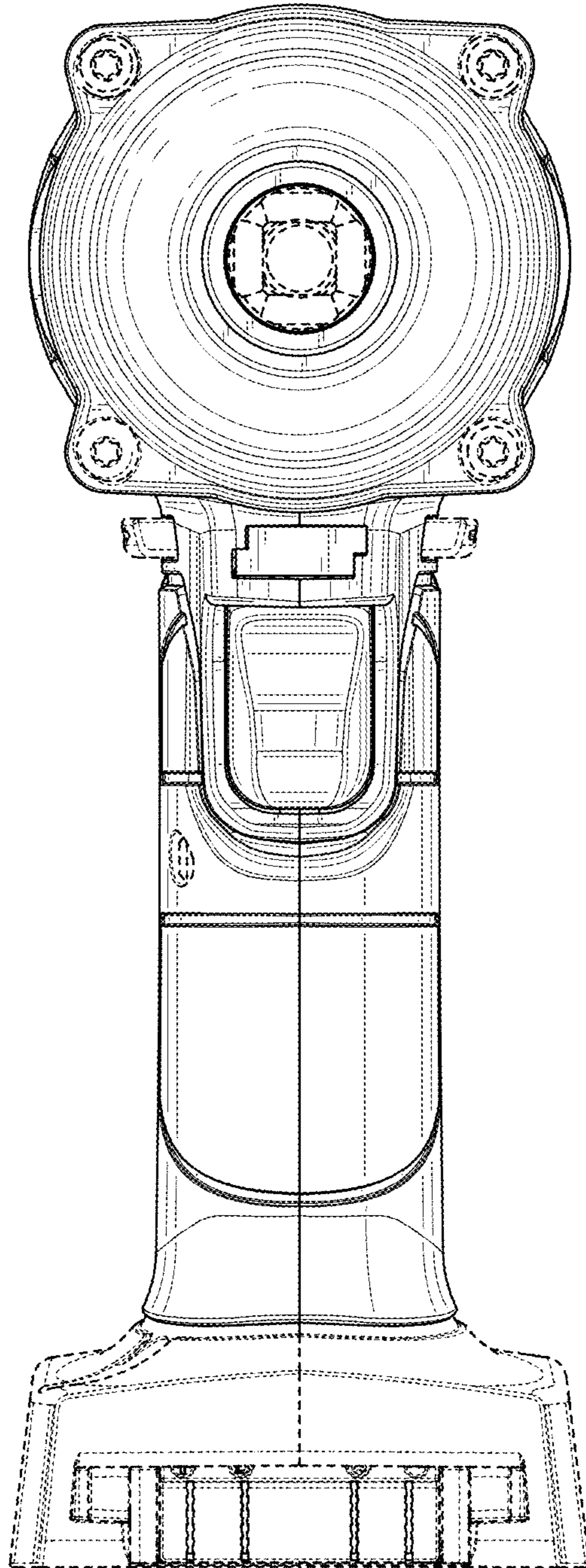


FIG. 2

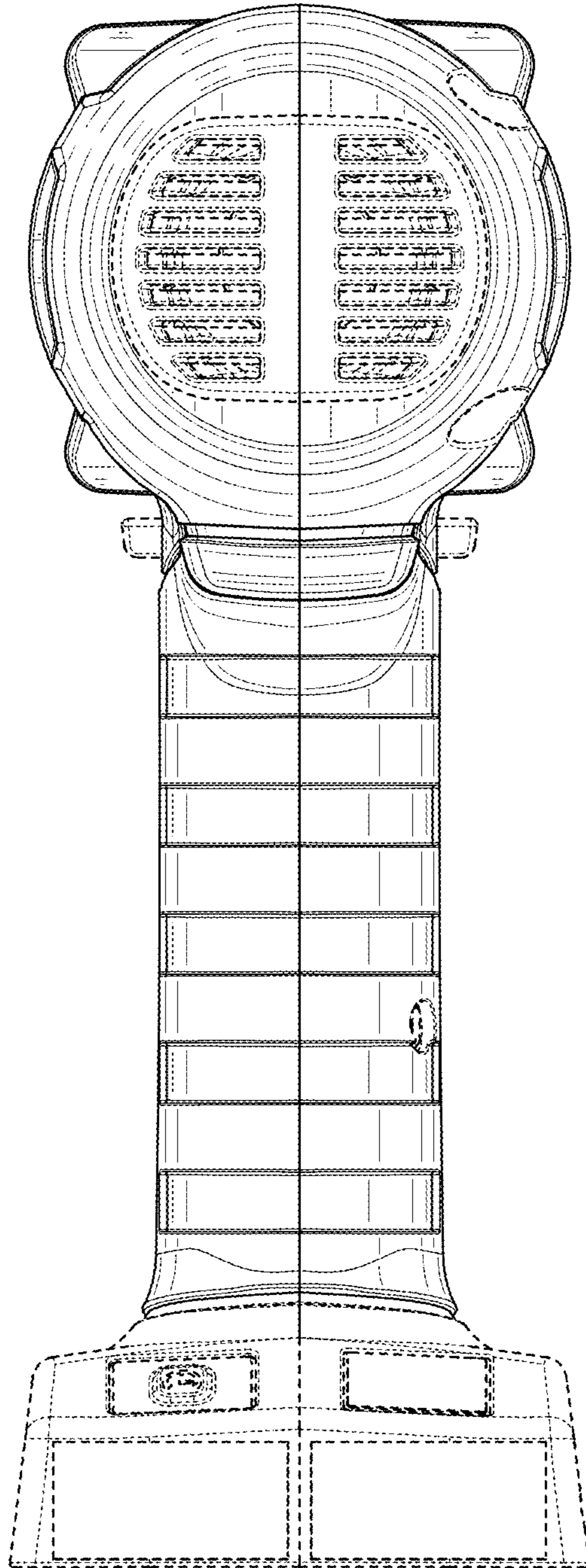


FIG. 3

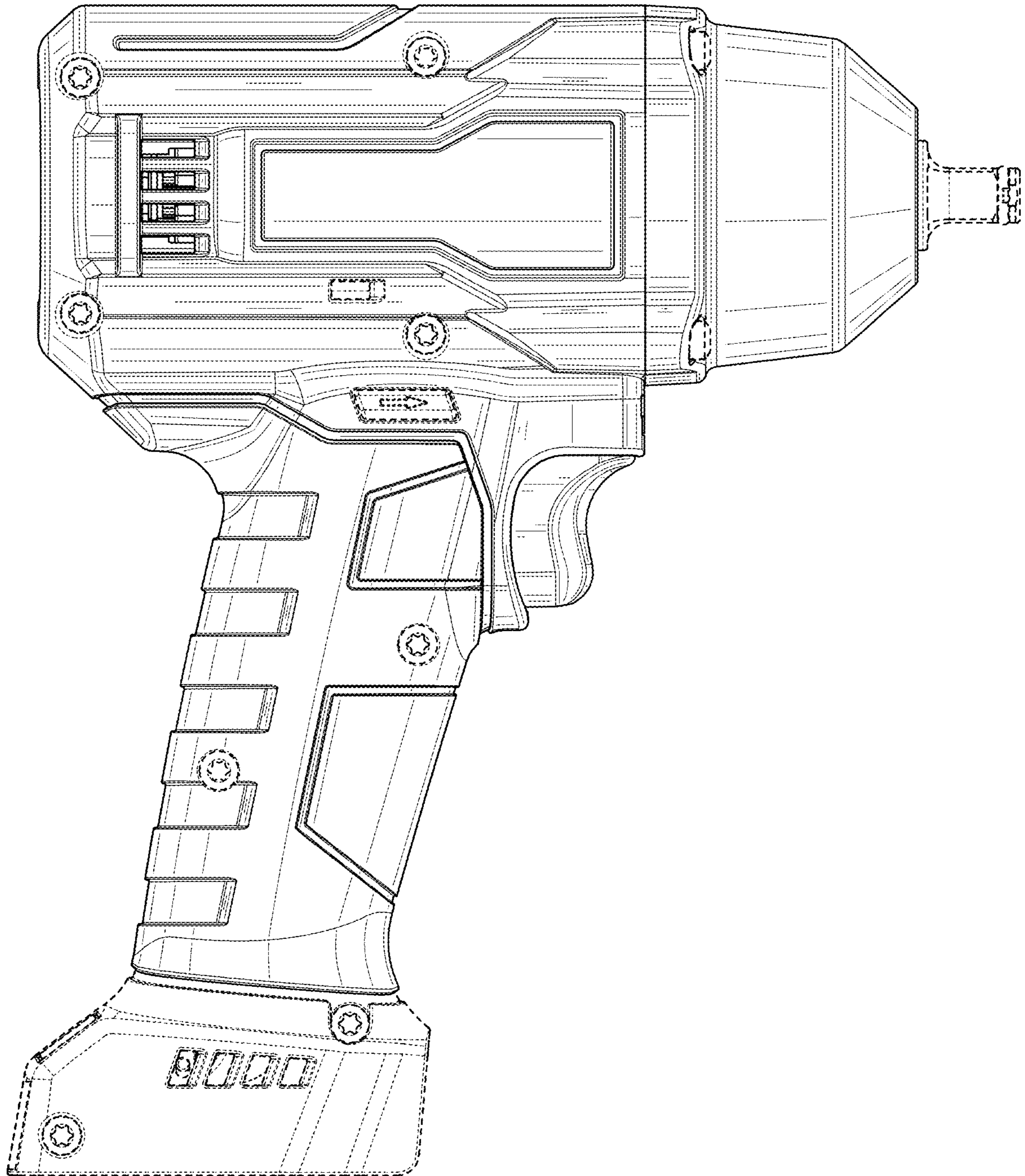


FIG. 4

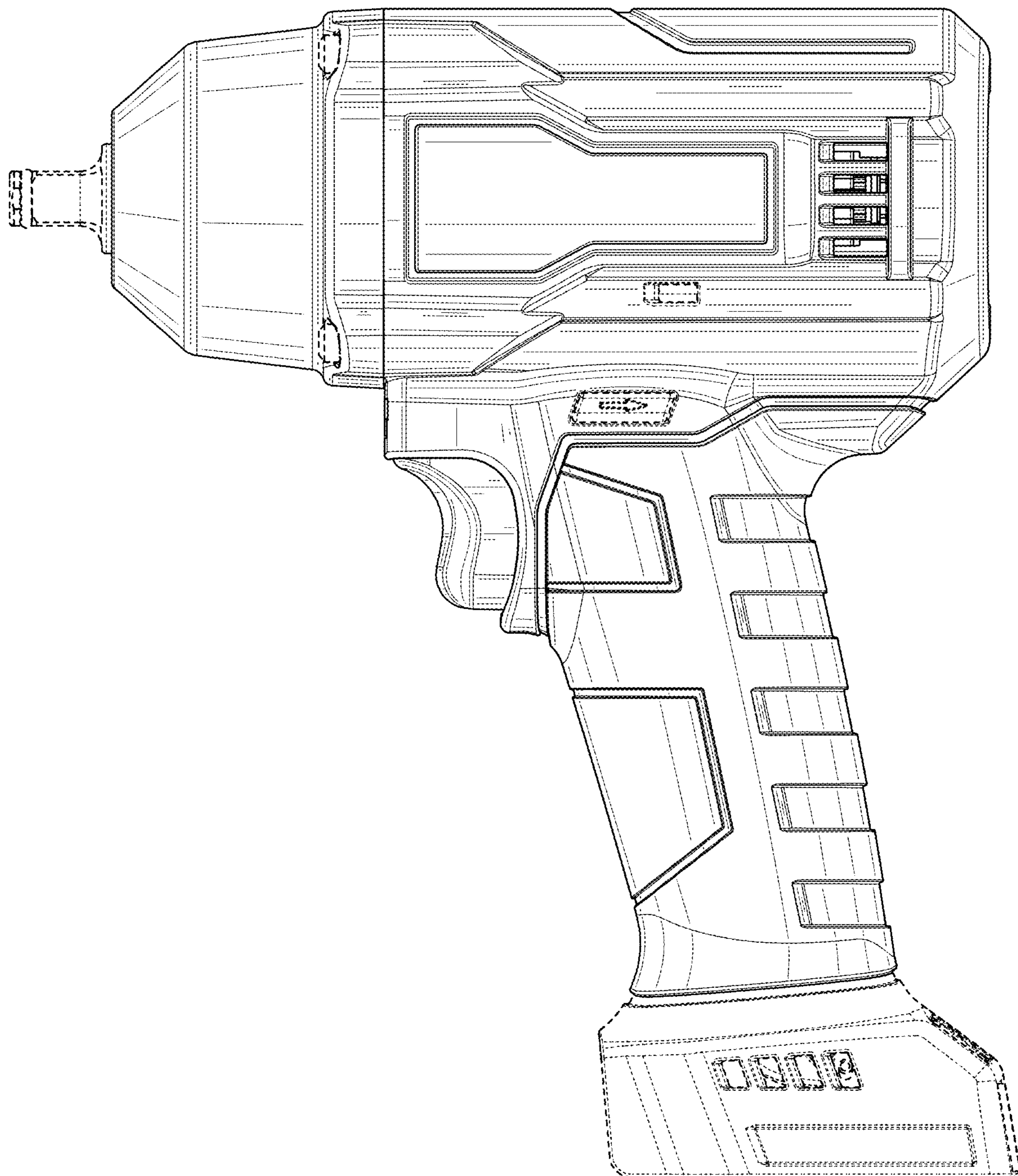


FIG. 5

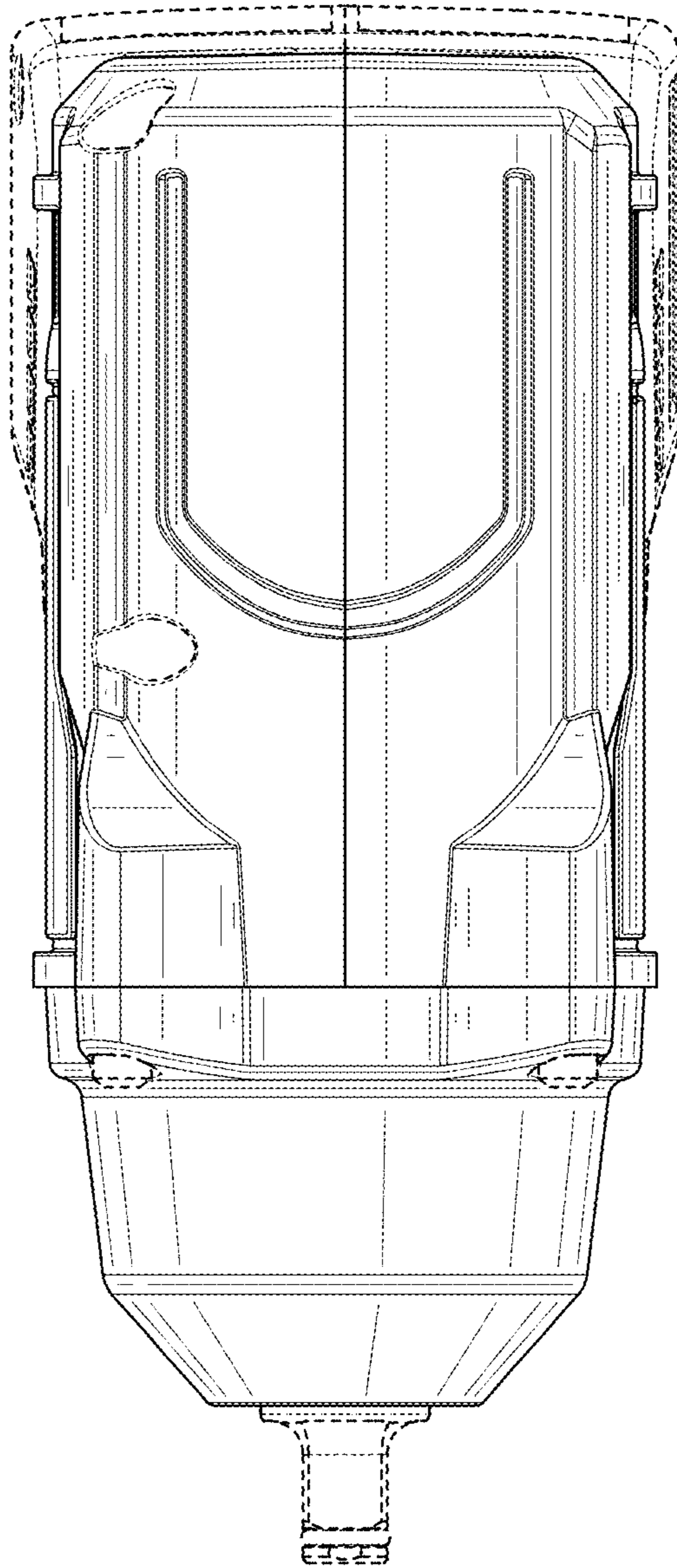


FIG. 6



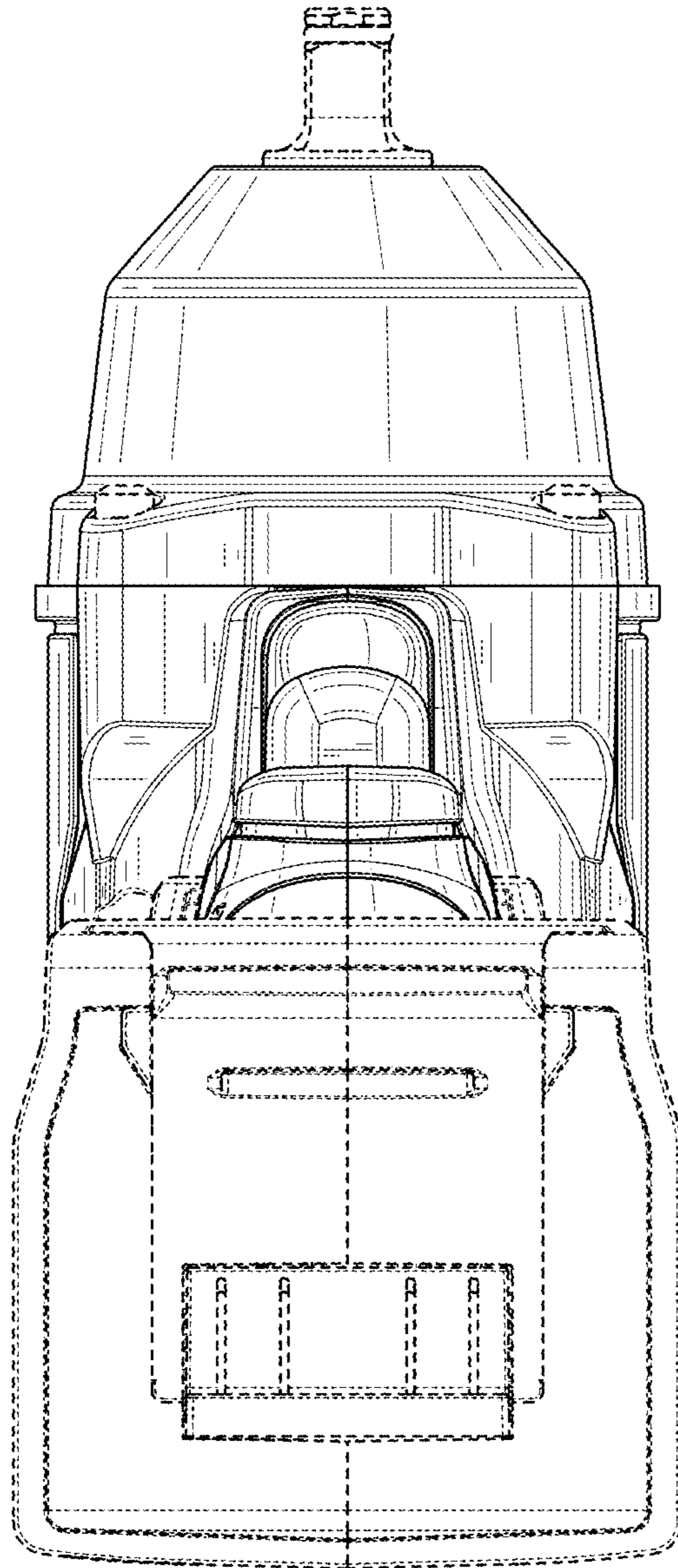


FIG. 7

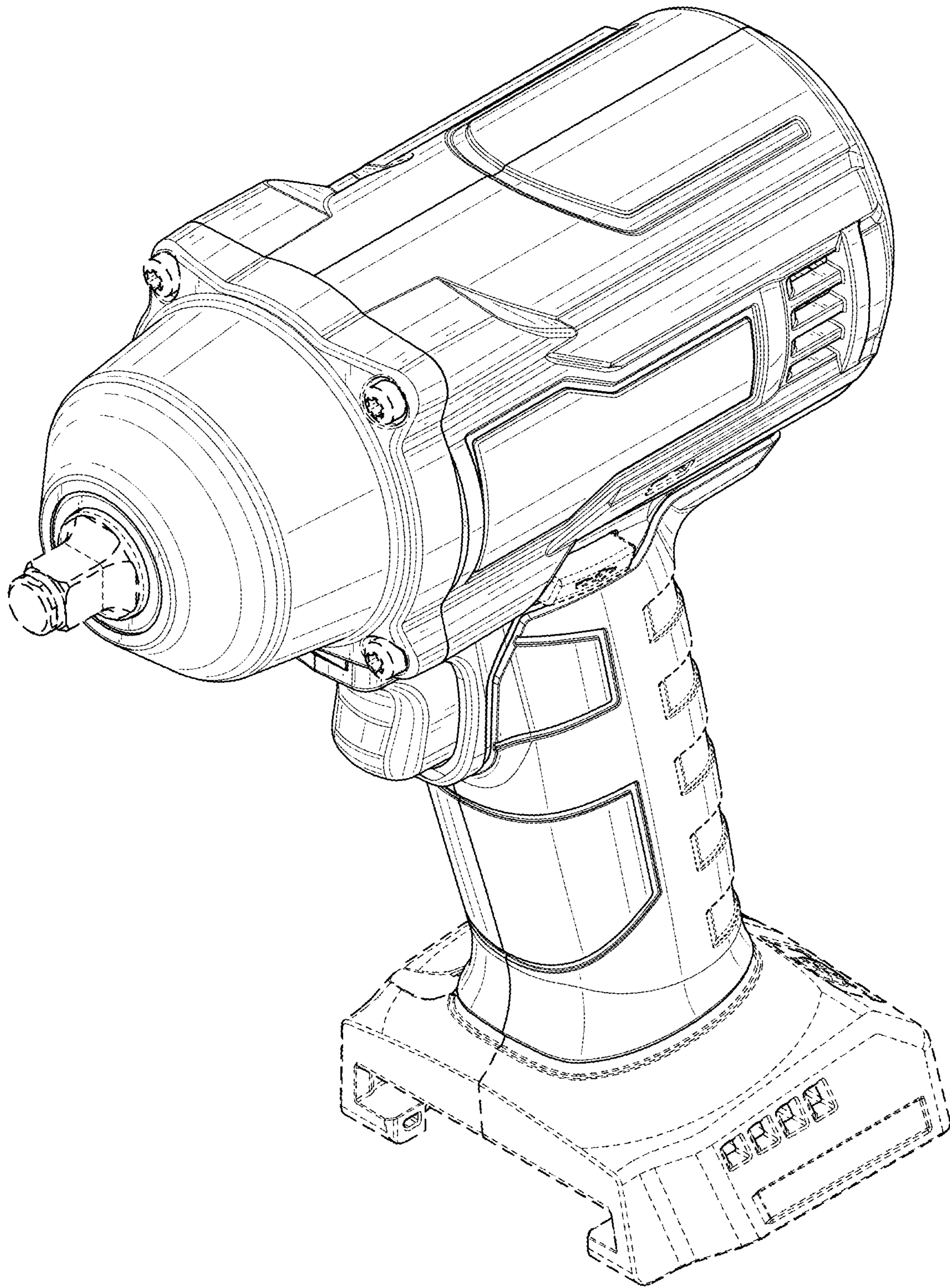


FIG. 8

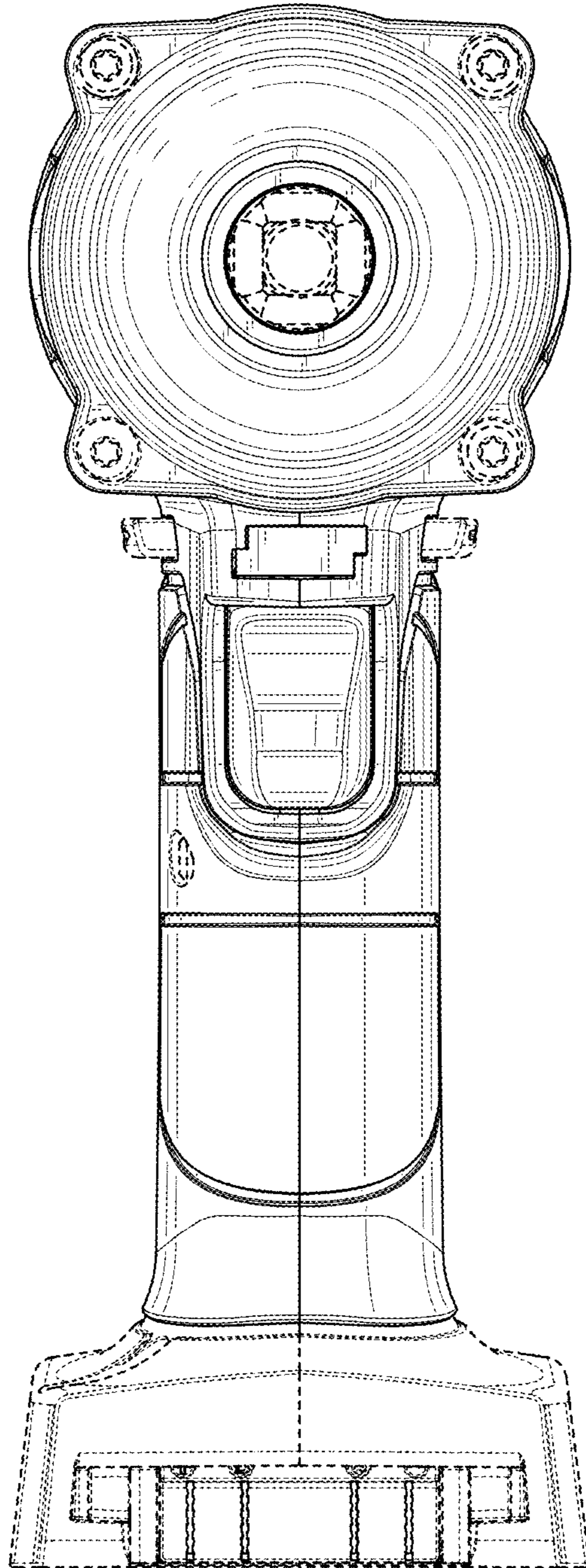


FIG. 9

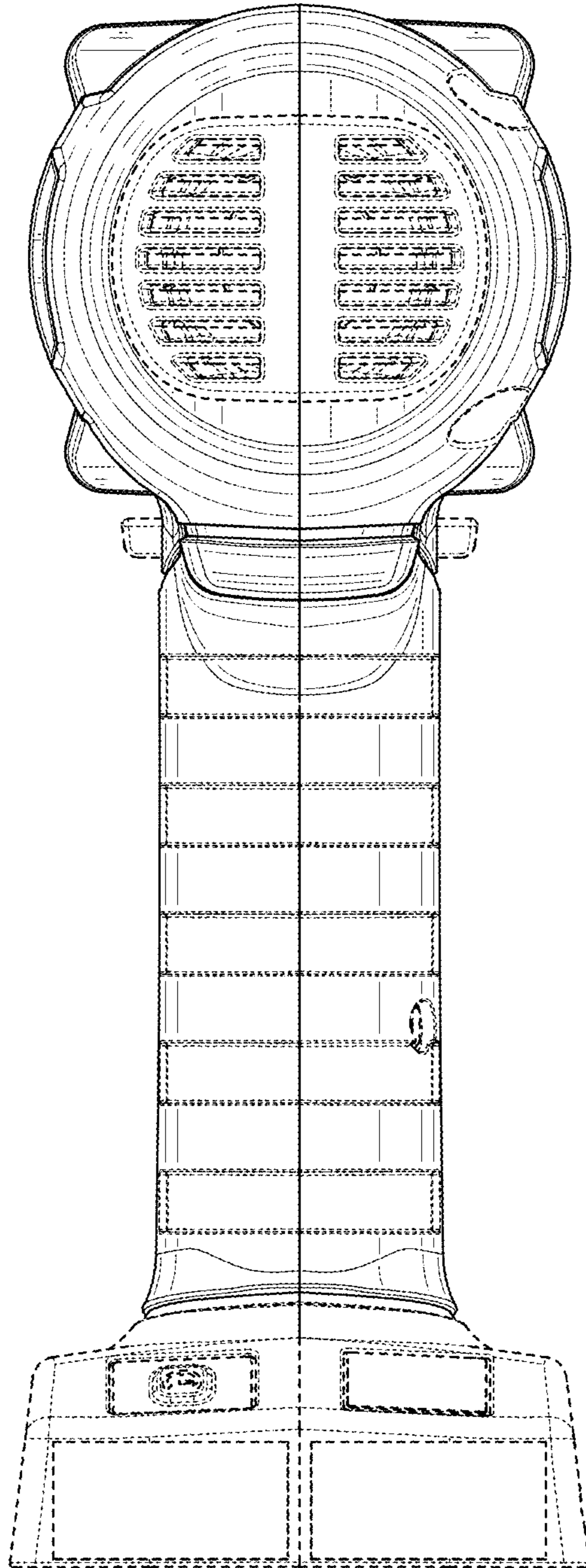


FIG. 10

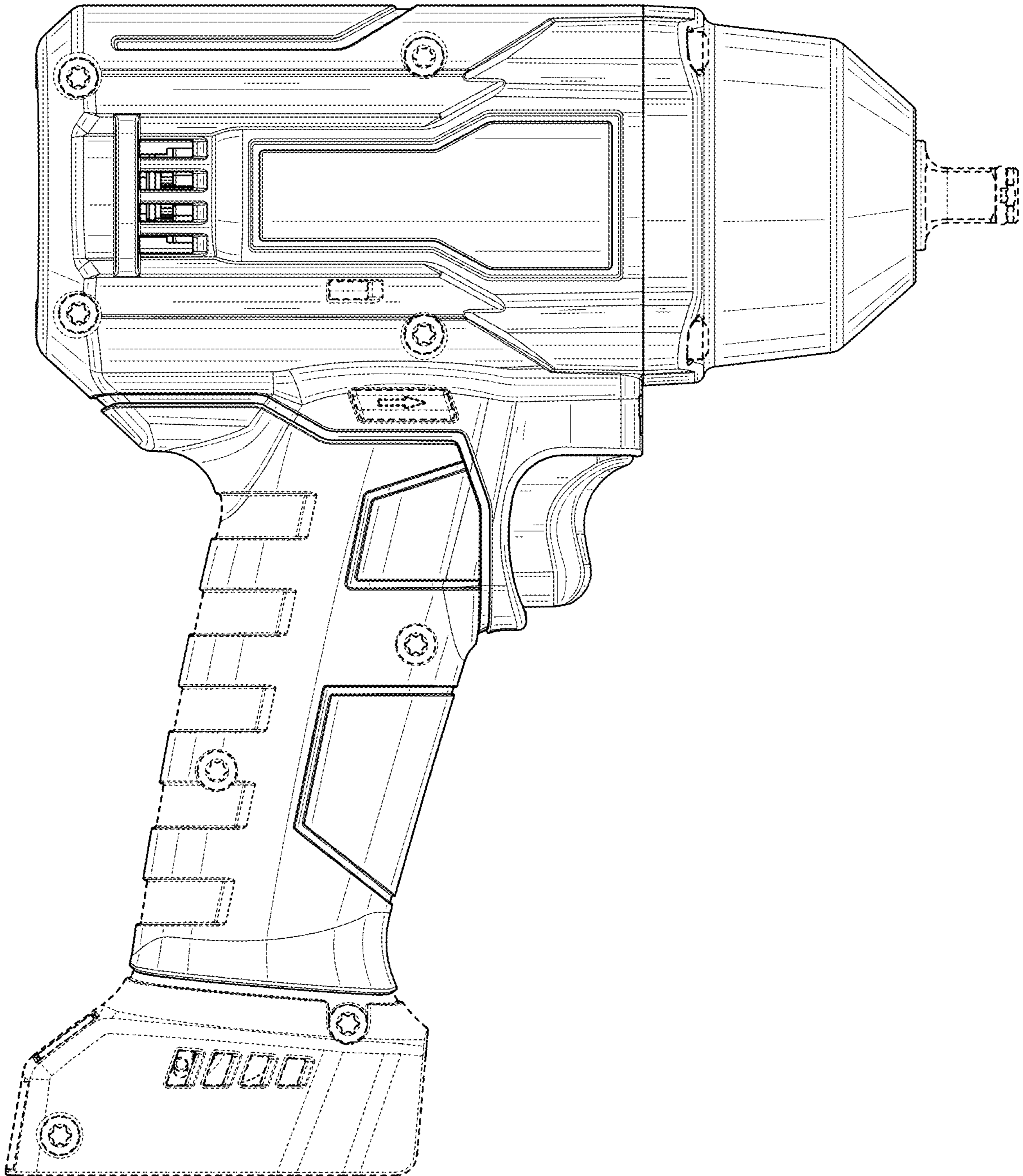


FIG. 11

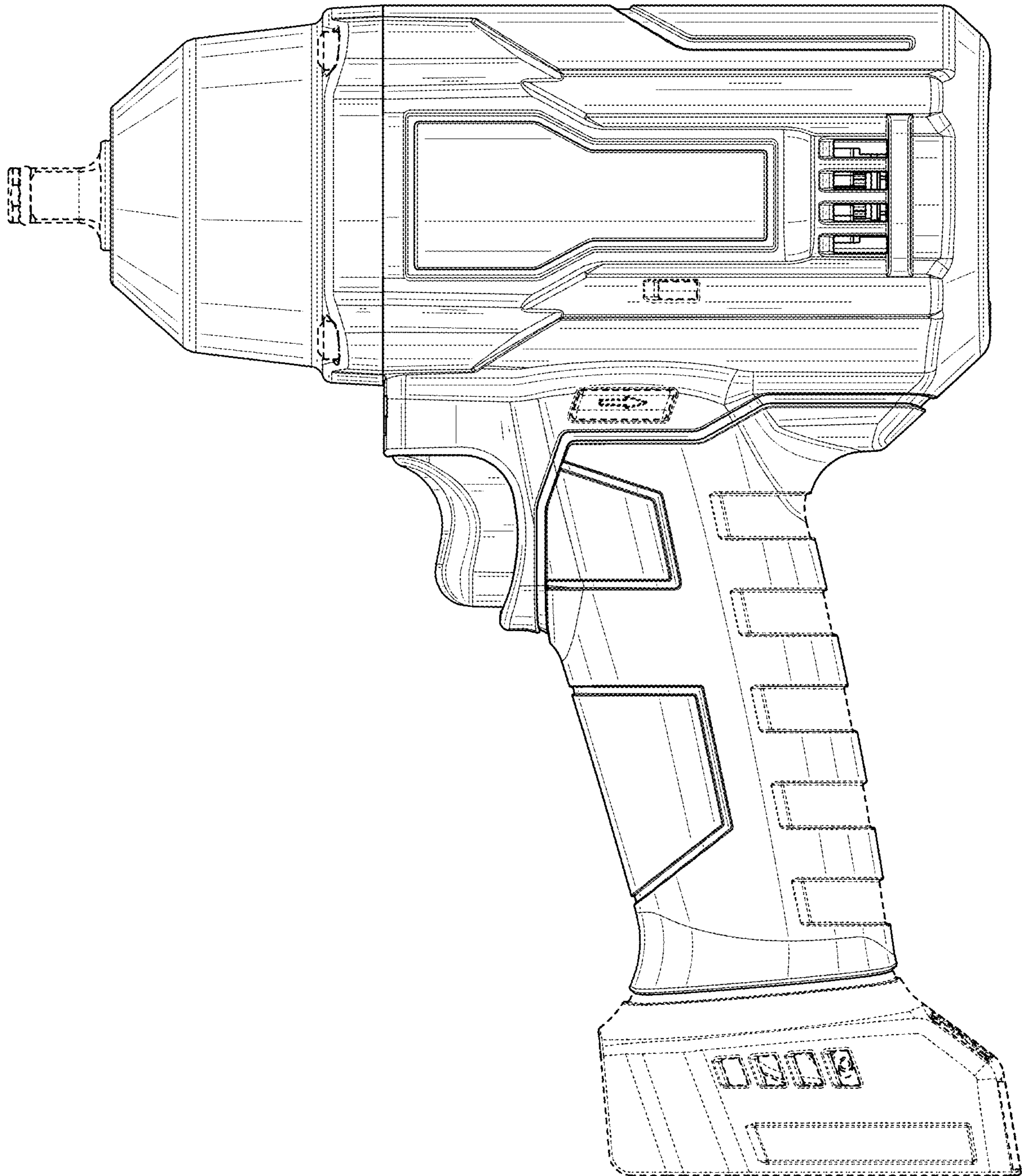


FIG. 12

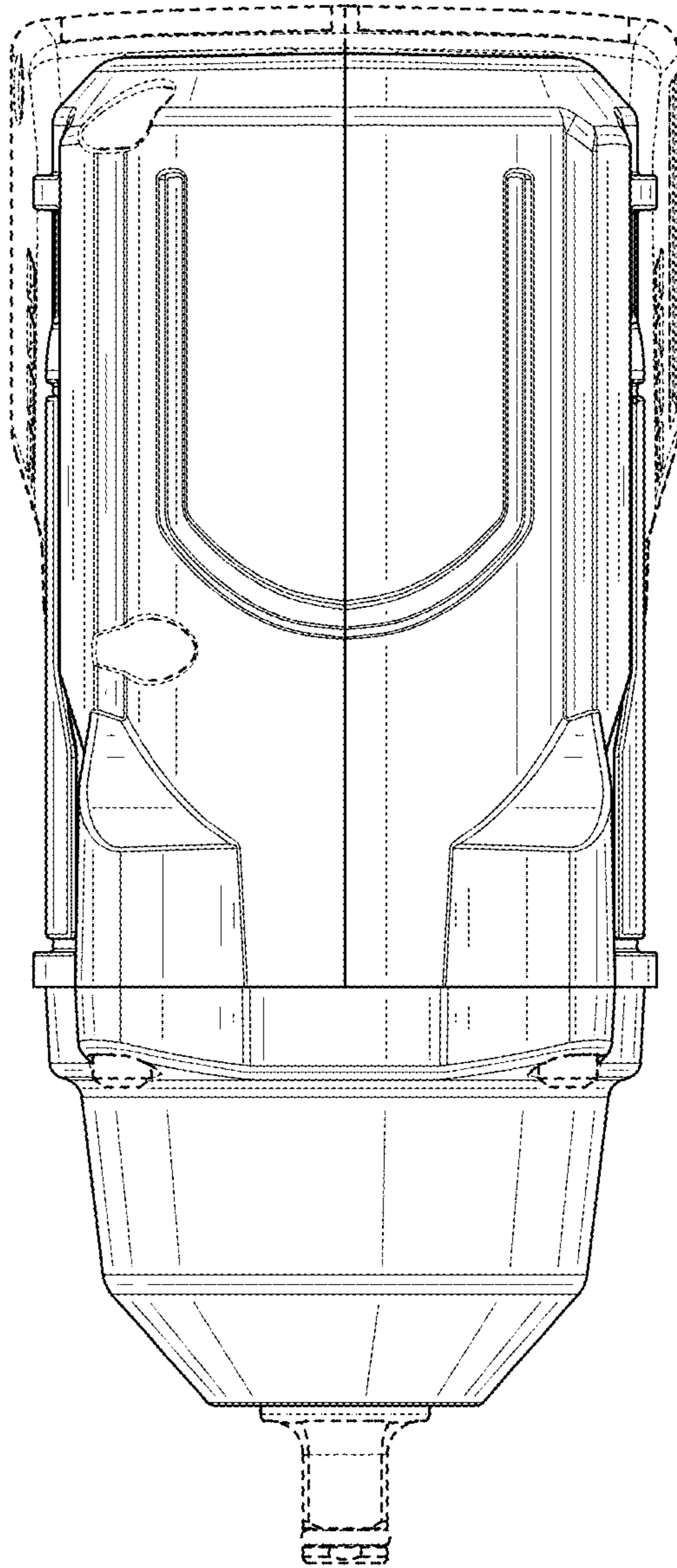


FIG. 13

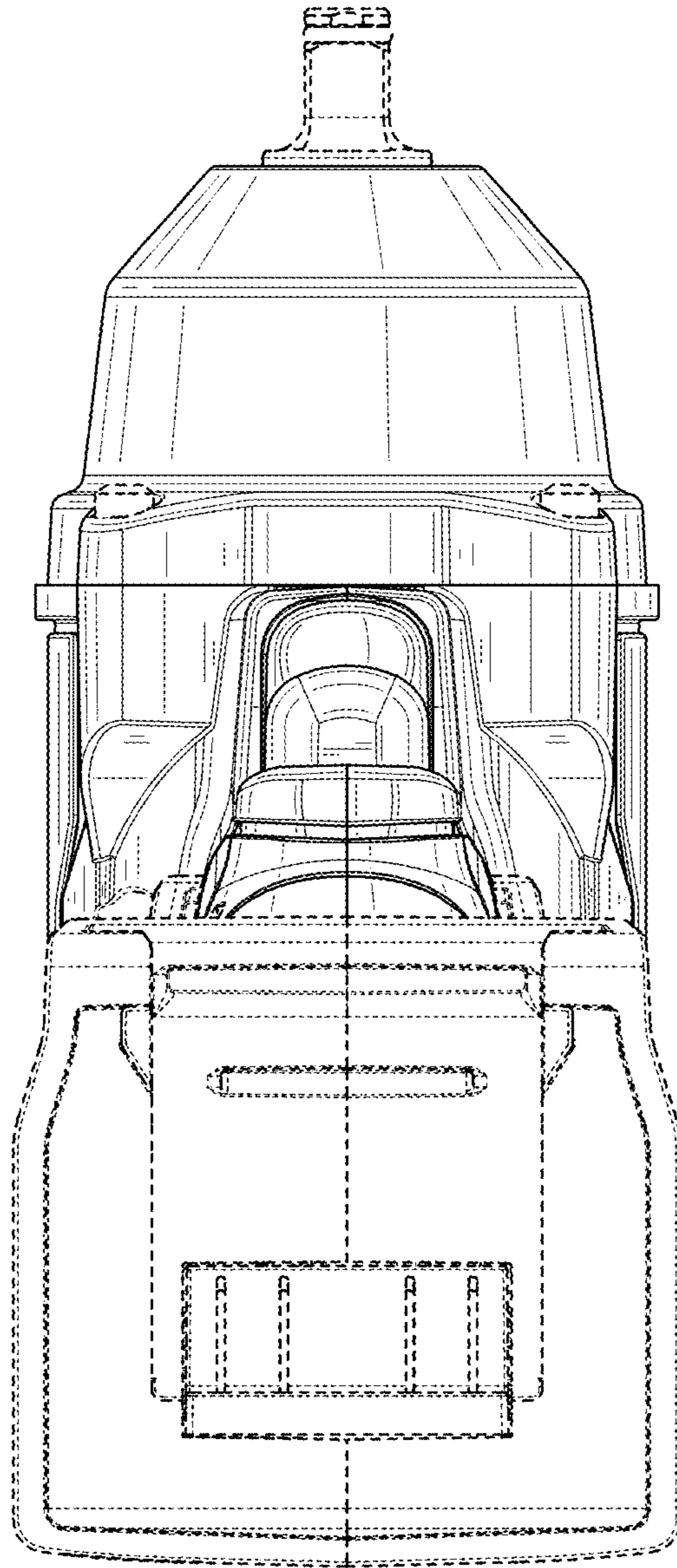


FIG. 14