



US00D974869S

(12) **United States Design Patent**
Williams

(10) **Patent No.:** **US D974,869 S**
(45) **Date of Patent:** **** Jan. 10, 2023**

(54) **CUTTING TOOL**

(71) Applicant: **Photonix Corp**, Chicago, IL (US)
(72) Inventor: **Edwin Williams**, Chicago, IL (US)
(73) Assignee: **PHOTONIX CORP**, Chicago, IL (US)

(**) Term: **15 Years**

(21) Appl. No.: **29/804,014**

(22) Filed: **Aug. 17, 2021**

(51) **LOC (14) Cl.** **08-03**

(52) **U.S. Cl.**

USPC **D8/64**; D8/61

(58) **Field of Classification Search**

USPC ... D8/1, 8, 9, 29.1, 29.2, 30, 61, 64, 65, 66,
D8/67, 68, 69

CPC A01D 34/416; A01D 34/4165; A01D
34/4161; A01D 34/4162; A01D 34/4163;
A01D 34/78; A01D 34/90; A01G 3/08;
A01G 3/085; A01G 3/086; B27B
17/0008; B27B 17/02; B23K 3/02; B23K
3/0315; B23K 3/0323; B23K 3/033;
B23K 3/03; B23K 1/018

See application file for complete search history.

(56) **References Cited**

U.S. PATENT DOCUMENTS

D81,365 S *	6/1930	Fegley	D8/66
D114,970 S *	5/1939	Sullivan	D8/66
D123,230 S *	10/1940	Saliba	D8/66
D142,235 S *	8/1945	Vavrik	D8/66
D152,678 S *	2/1949	Dolan	D8/66
2,562,396 A *	7/1951	Schutz	B27G 19/02 83/483
D165,062 S *	11/1951	Emmons	D8/66
D168,467 S *	12/1952	Majewski	B26B 15/00 D8/66

(Continued)

FOREIGN PATENT DOCUMENTS

WO	DM/035 342	3/1996
WO	DM/080 042	8/2013
WO	DM/203 522	7/2020

Primary Examiner — Rachel A. Voorhies

Assistant Examiner — Benjamin D. Wannemacher

(57) **CLAIM**

The ornamental design for a cutting tool, as shown and described.

DESCRIPTION

FIG. 1 is a top front perspective view of a cutting tool showing my new design;

FIG. 2 is a bottom rear perspective view thereof;

FIG. 3 is a front elevational view thereof;

FIG. 4 is a back elevational view thereof;

FIG. 5 is a top plan view thereof;

FIG. 6 is a bottom plan view thereof;

FIG. 7 is a right elevational view thereof;

FIG. 8 is a left elevational view thereof;

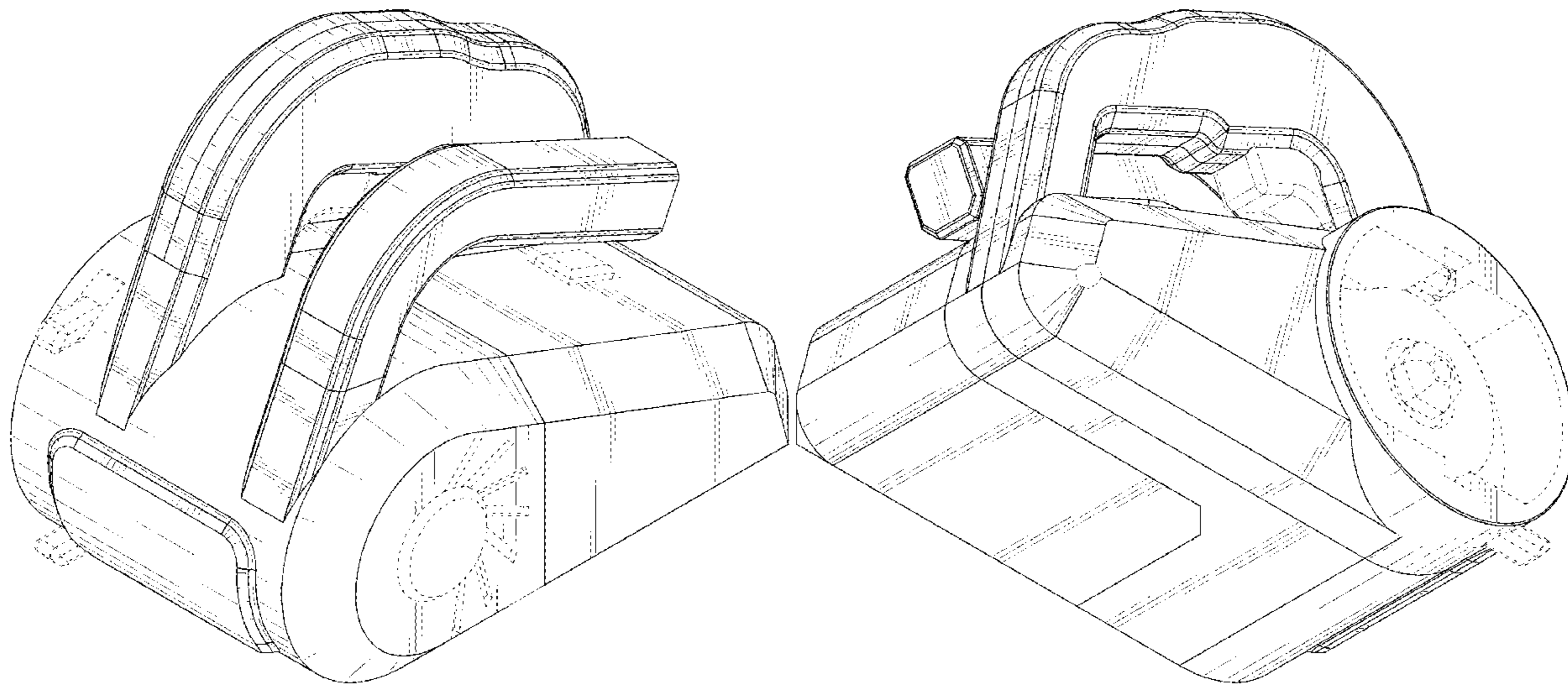
FIG. 9 is a top front perspective view thereof, wherein a chainsaw attachment is shown connected to the cutting tool;

FIG. 10 is a top front perspective view thereof, wherein a circular saw attachment is shown connected to the cutting tool; and,

FIG. 11 is a top front perspective view thereof, wherein a reciprocating saw attachment is shown connected to the cutting tool.

The broken lines showing switches and buttons in FIG. 1-11, the broken lines showing recessions and protrusions in FIG. 1-11, the broken lines showing a chainsaw attachment in FIG. 9, the broken lines showing a circular saw attachment in FIG. 10, and the broken lines showing a reciprocating saw attachment in FIG. 11 are included for the purpose of illustrating environmental structure and form no part of the claimed design.

1 Claim, 11 Drawing Sheets



(56)

References Cited

U.S. PATENT DOCUMENTS

2,637,103 A * 5/1953 Hooker B26B 15/00
 30/247
 D180,181 S * 4/1957 Ernest D8/66
 D190,316 S * 5/1961 Kuenzl D8/66
 D243,742 S * 3/1977 House, II D8/69
 D262,184 S * 12/1981 Glass D8/66
 D262,772 S * 1/1982 Glass D8/66
 D272,310 S * 1/1984 Dynie D8/65
 D273,456 S * 4/1984 McDougall D8/65
 D277,118 S * 1/1985 Klawitter D8/66
 4,555,849 A * 12/1985 Ando B27B 9/00
 320/112
 D322,971 S * 1/1992 Tuggle D15/13
 D334,523 S * 4/1993 Hoshino D8/69
 5,215,049 A * 6/1993 Wolf B27B 17/0008
 261/64.6
 D337,037 S * 7/1993 Yelton D8/64
 5,272,813 A * 12/1993 Wolf B27B 17/0008
 30/296.1
 D348,192 S * 6/1994 Griffin D8/65
 D348,193 S * 6/1994 Sasaki D8/69
 D378,488 S * 3/1997 Ito D8/66
 D401,943 S * 12/1998 Prosper D15/7
 D457,408 S * 5/2002 Sakai D8/66

6,502,315 B2 1/2003 Menzel et al.
 D554,462 S * 11/2007 Zhang D8/66
 D559,644 S * 1/2008 Kuroyanagi D8/66
 8,091,650 B2 1/2012 Van der Linde et al.
 D738,175 S * 9/2015 Tinius D8/65
 D741,678 S * 10/2015 Tinius D8/65
 D805,869 S 12/2017 Baxter et al.
 D826,021 S 8/2018 Tinius
 D859,950 S 9/2019 Dretzka et al.
 D860,744 S 9/2019 Lau
 D869,925 S 12/2019 Thompson
 D875,497 S 2/2020 Busschaert et al.
 D897,175 S 9/2020 Kuang et al.
 D899,881 S 10/2020 Takahashi et al.
 2002/0020539 A1 2/2002 Driessen
 2010/0048101 A1 2/2010 King et al.
 2011/0289786 A1* 12/2011 Bijsterveldt B25F 5/02
 30/514
 2014/0047722 A1 2/2014 Onose et al.
 2014/0266057 A1 9/2014 Woods
 2015/0251295 A1 9/2015 Chen
 2016/0121475 A1 5/2016 Valentini
 2019/0085797 A1* 3/2019 Wolf B01D 46/0005
 2019/0168405 A1* 6/2019 Ma B27B 9/04
 2020/0338686 A1 10/2020 Sun et al.
 2020/0384625 A1* 12/2020 Zugen B25F 1/003

* cited by examiner

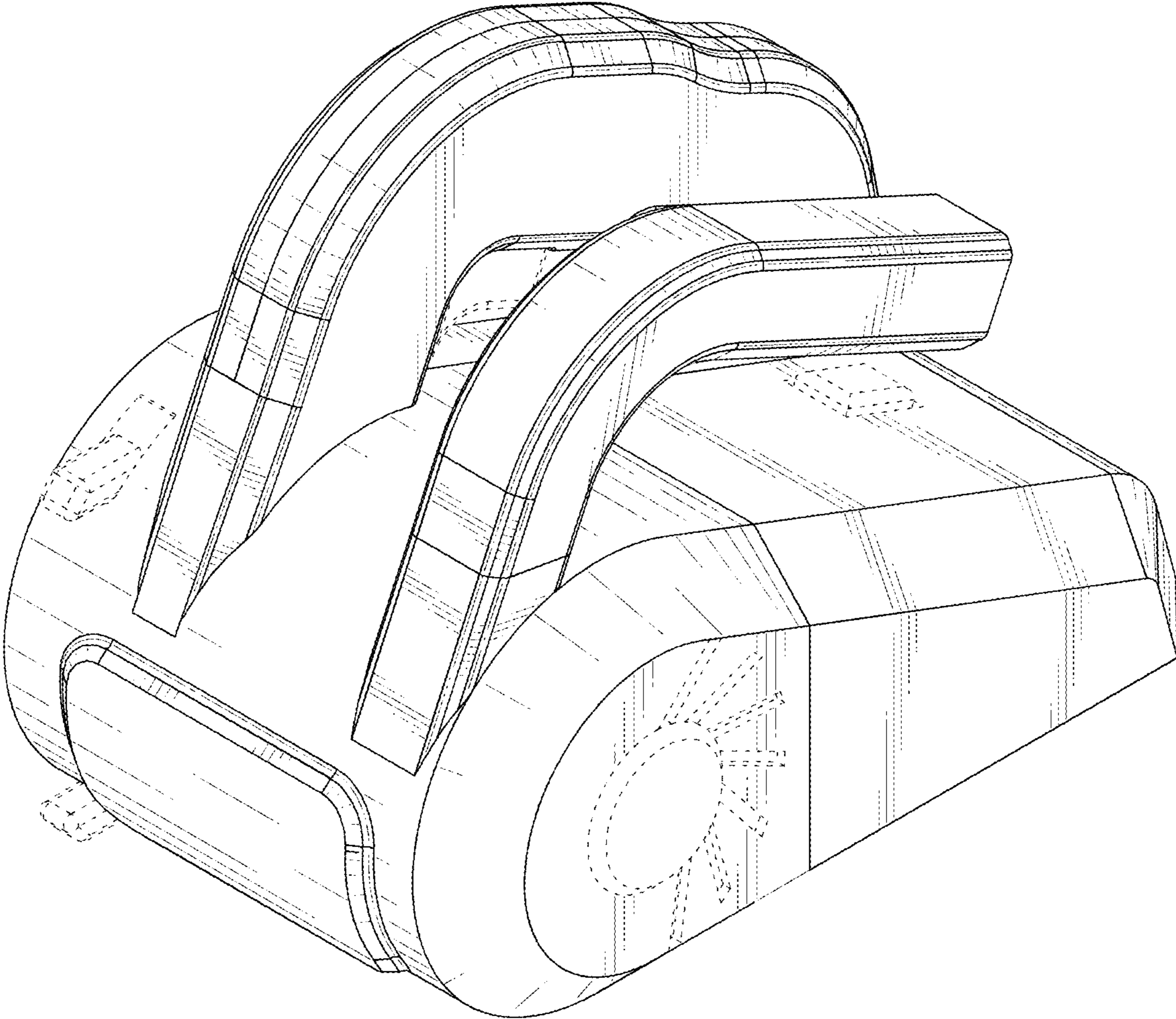


FIG. 1

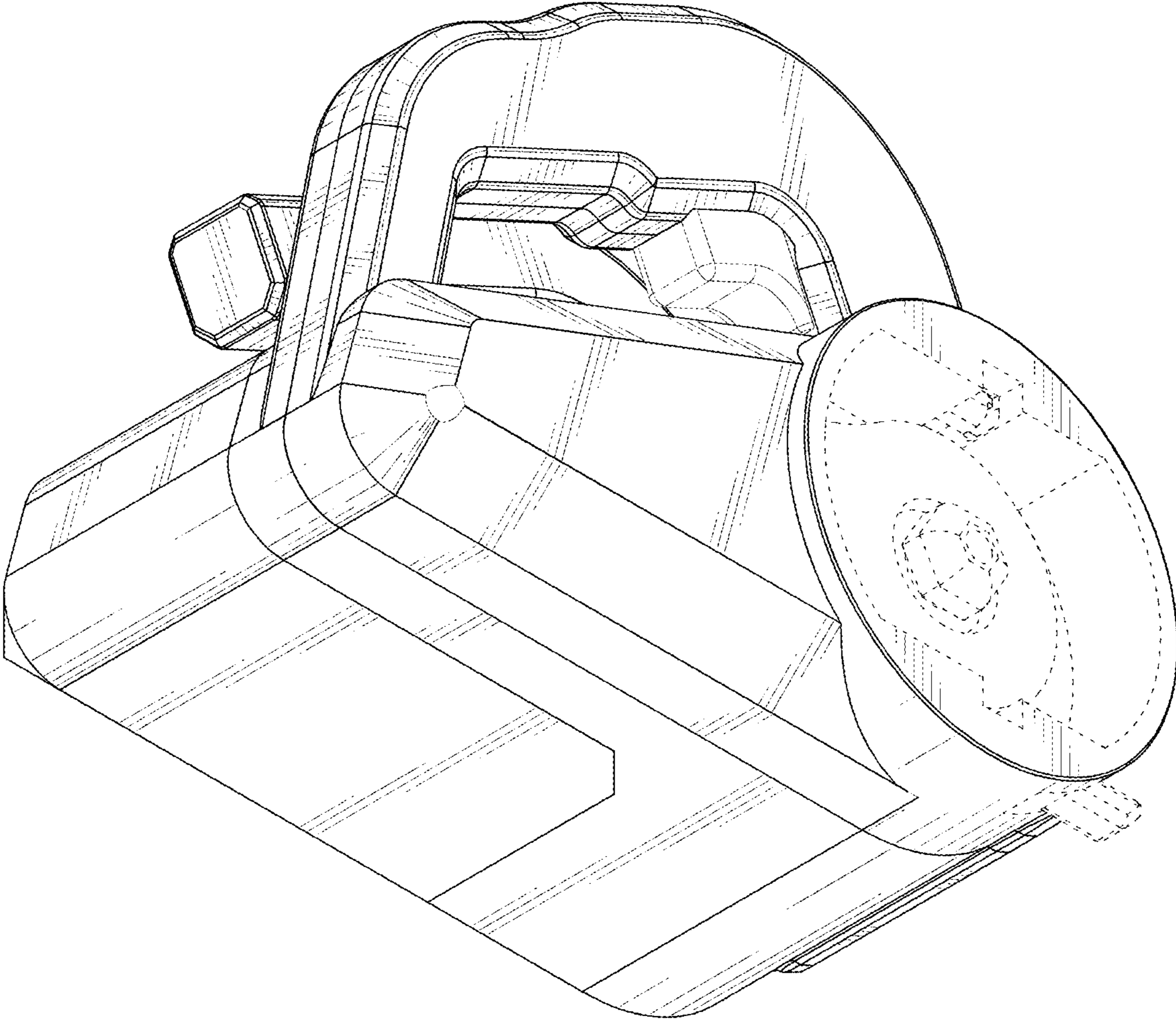


FIG. 2

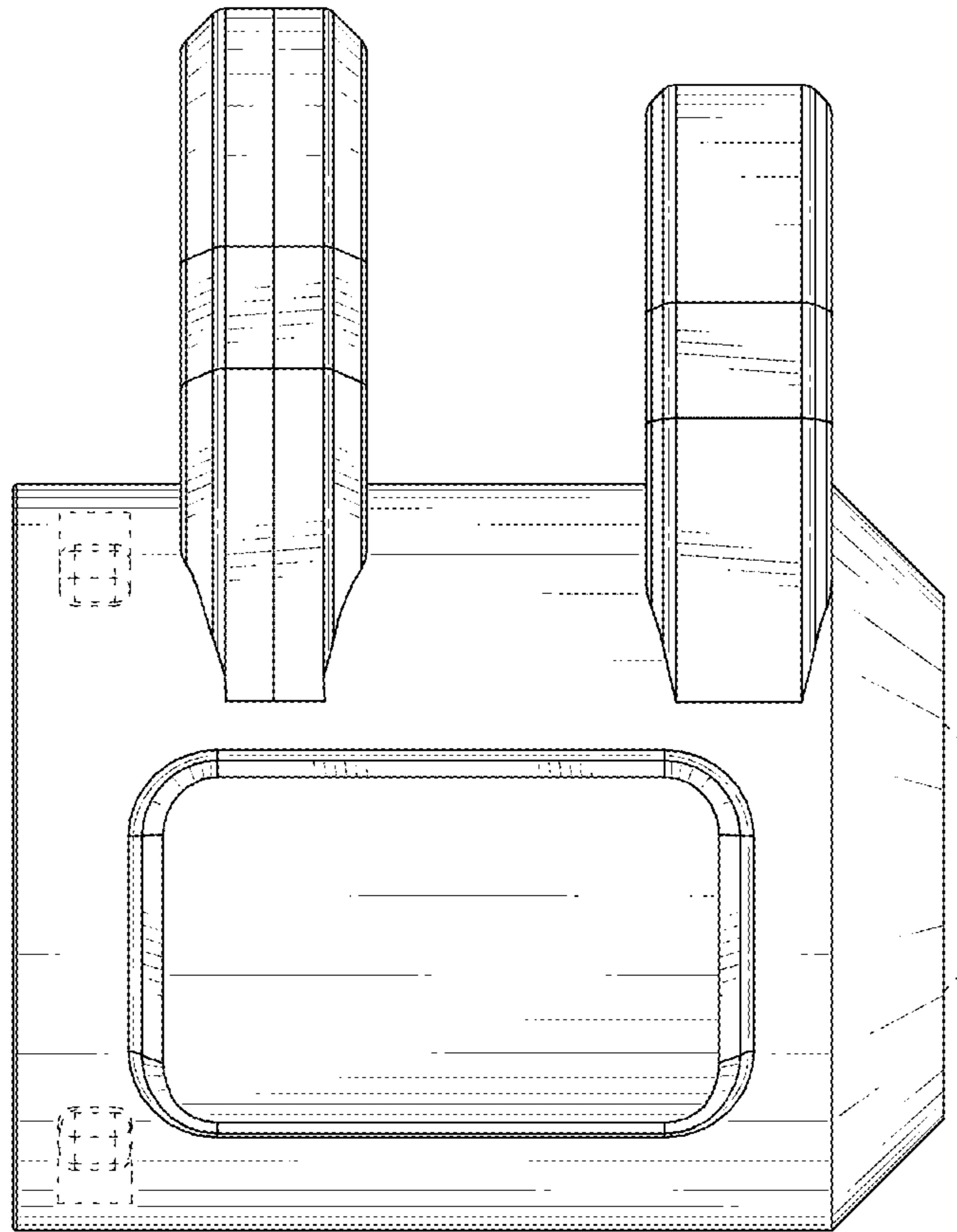


FIG. 3

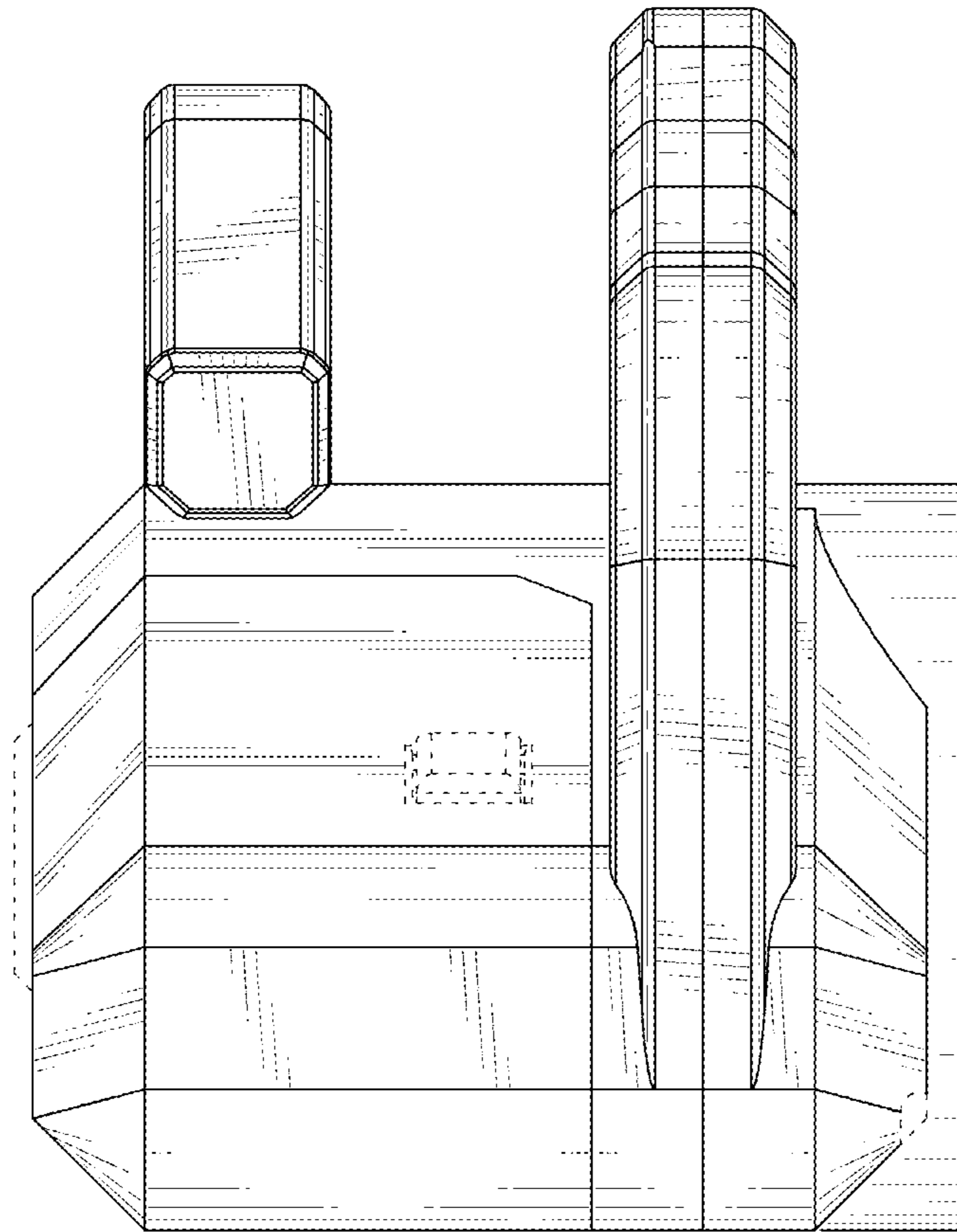


FIG. 4

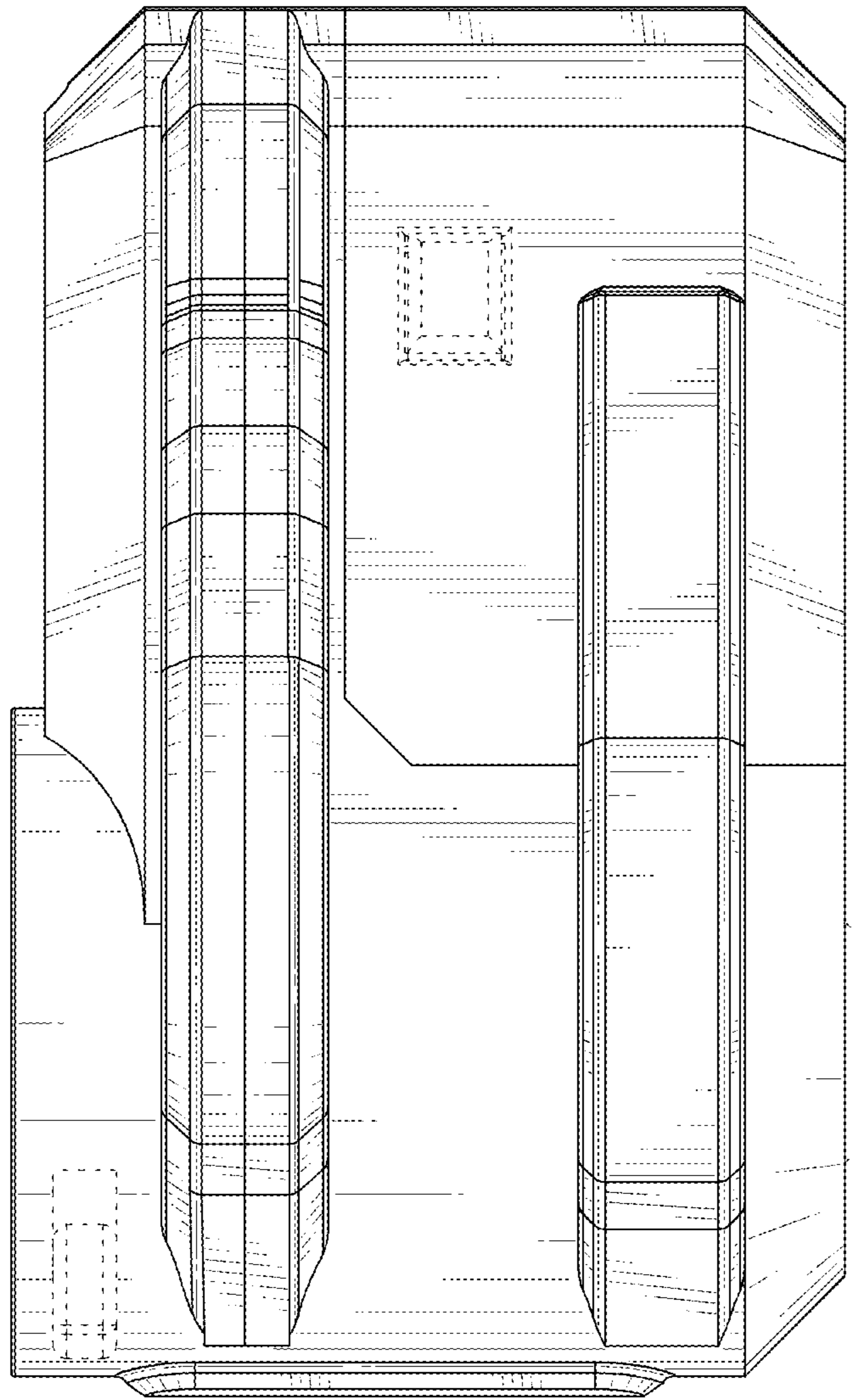


FIG. 5

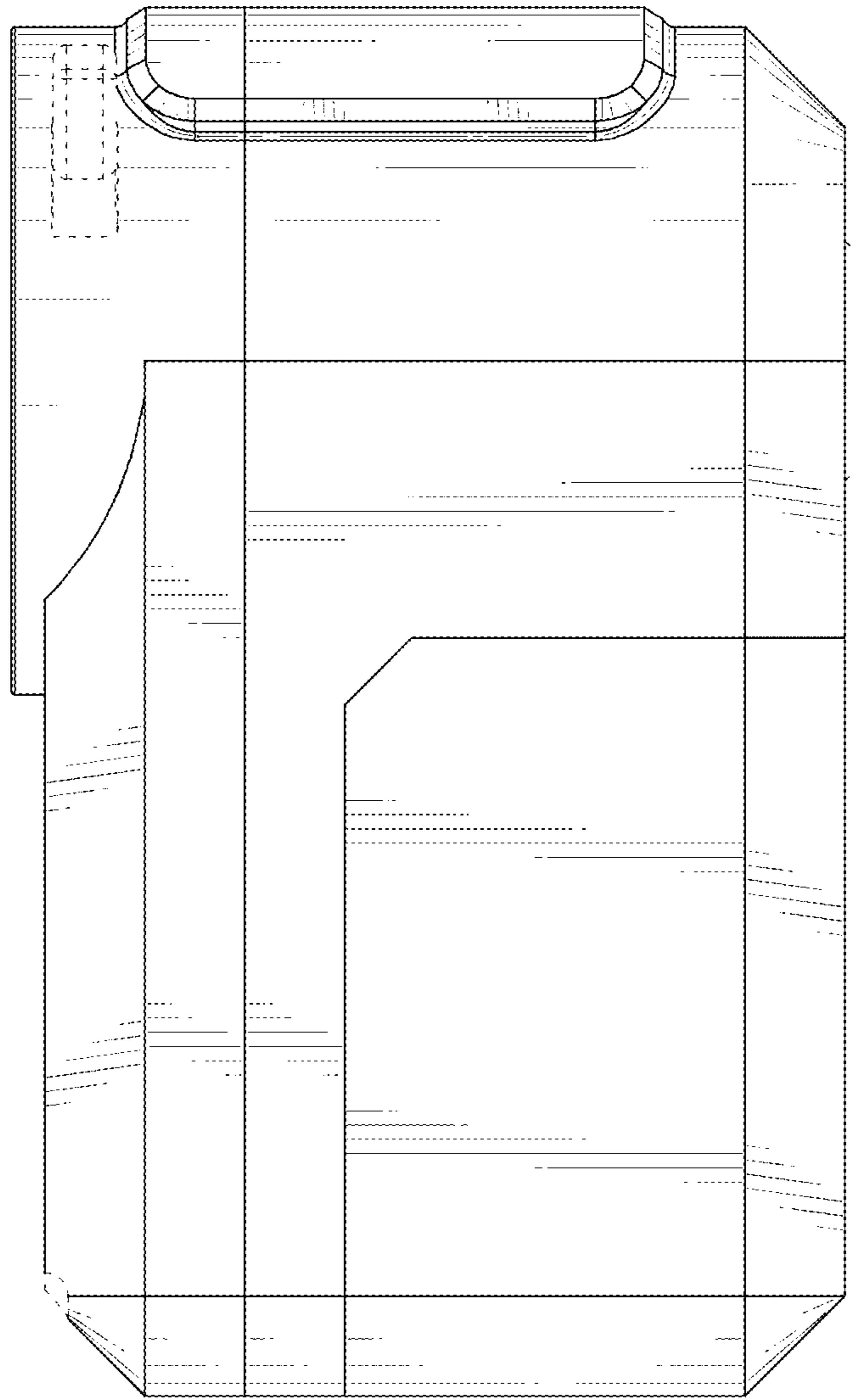


FIG. 6

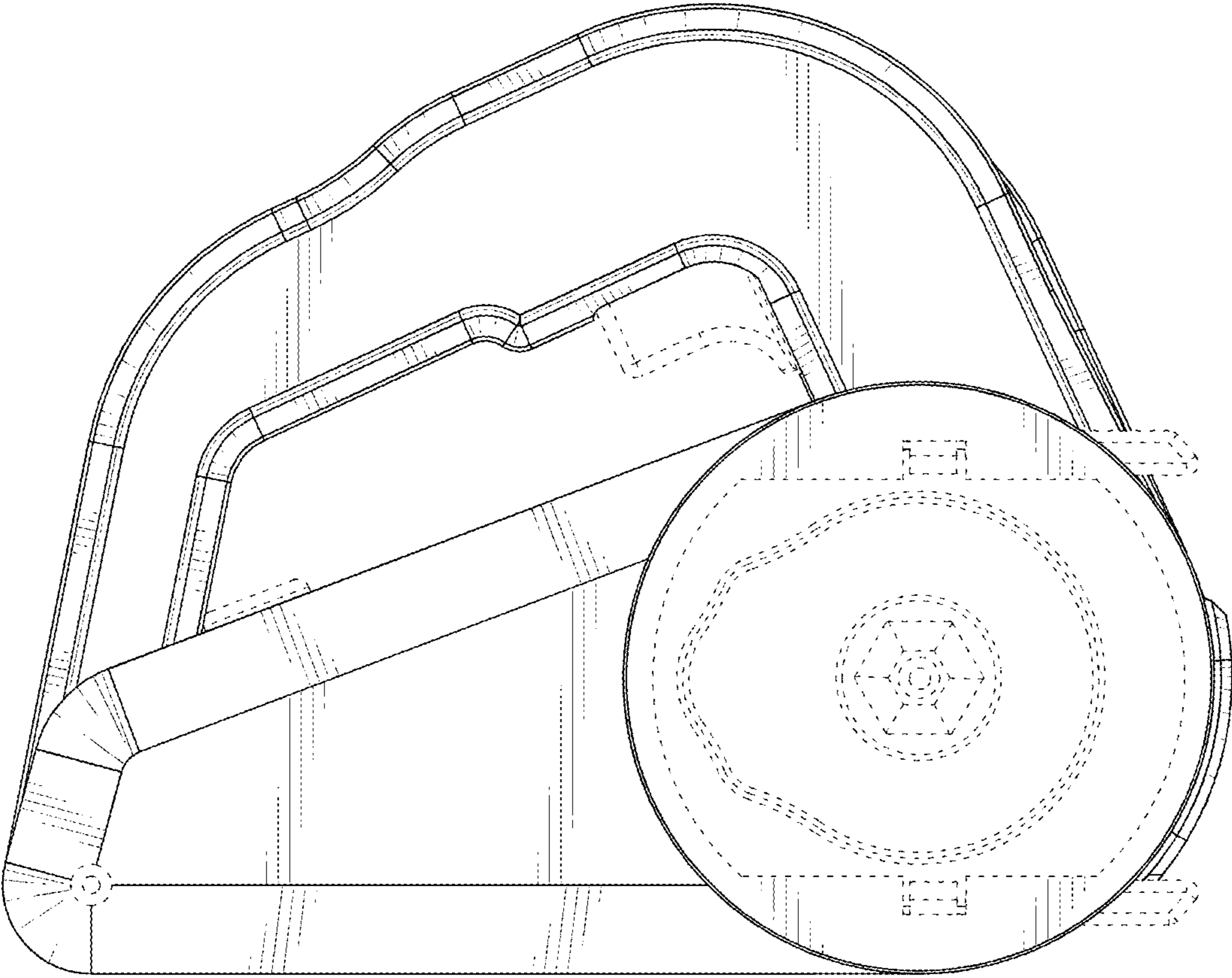


FIG. 7

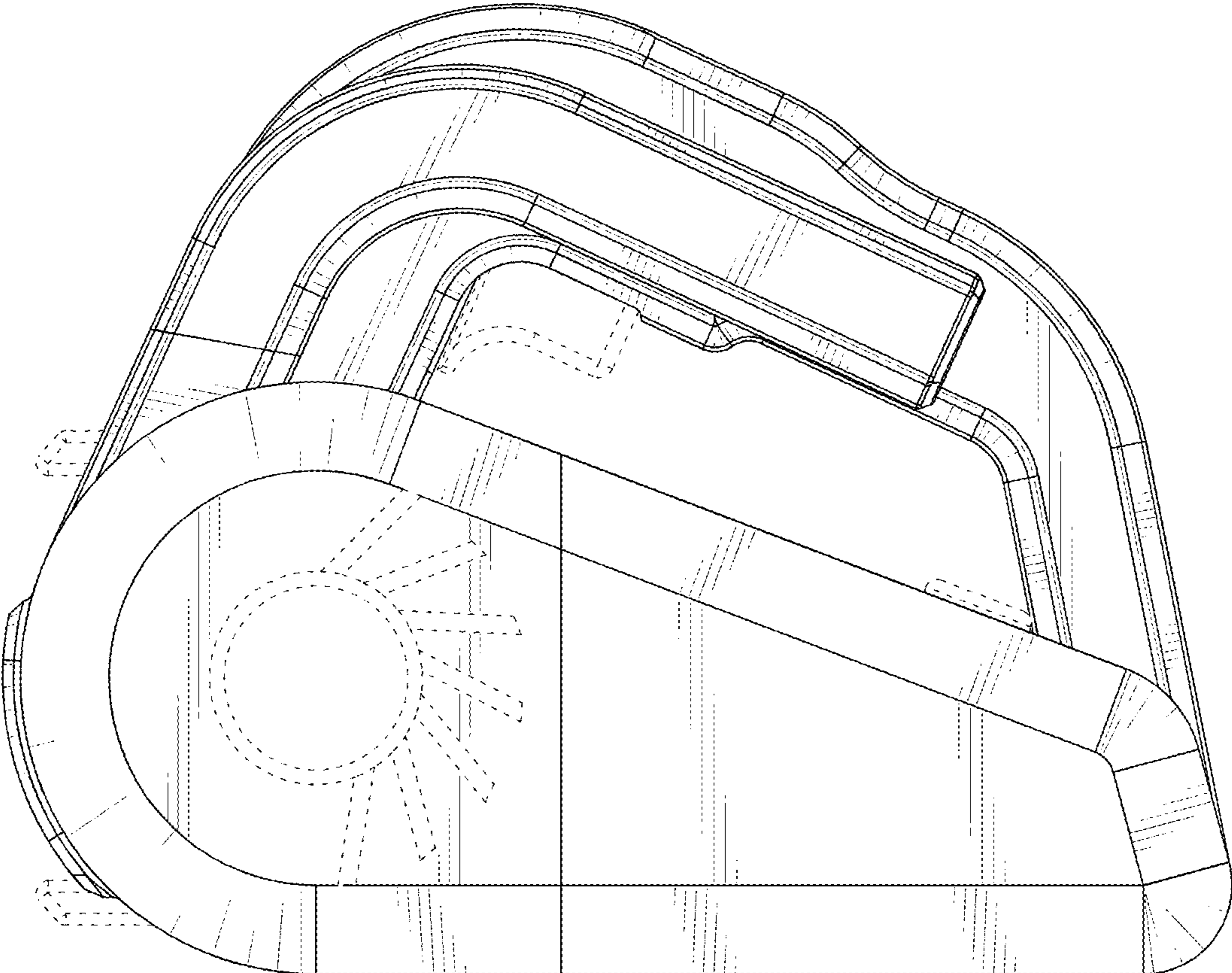


FIG. 8

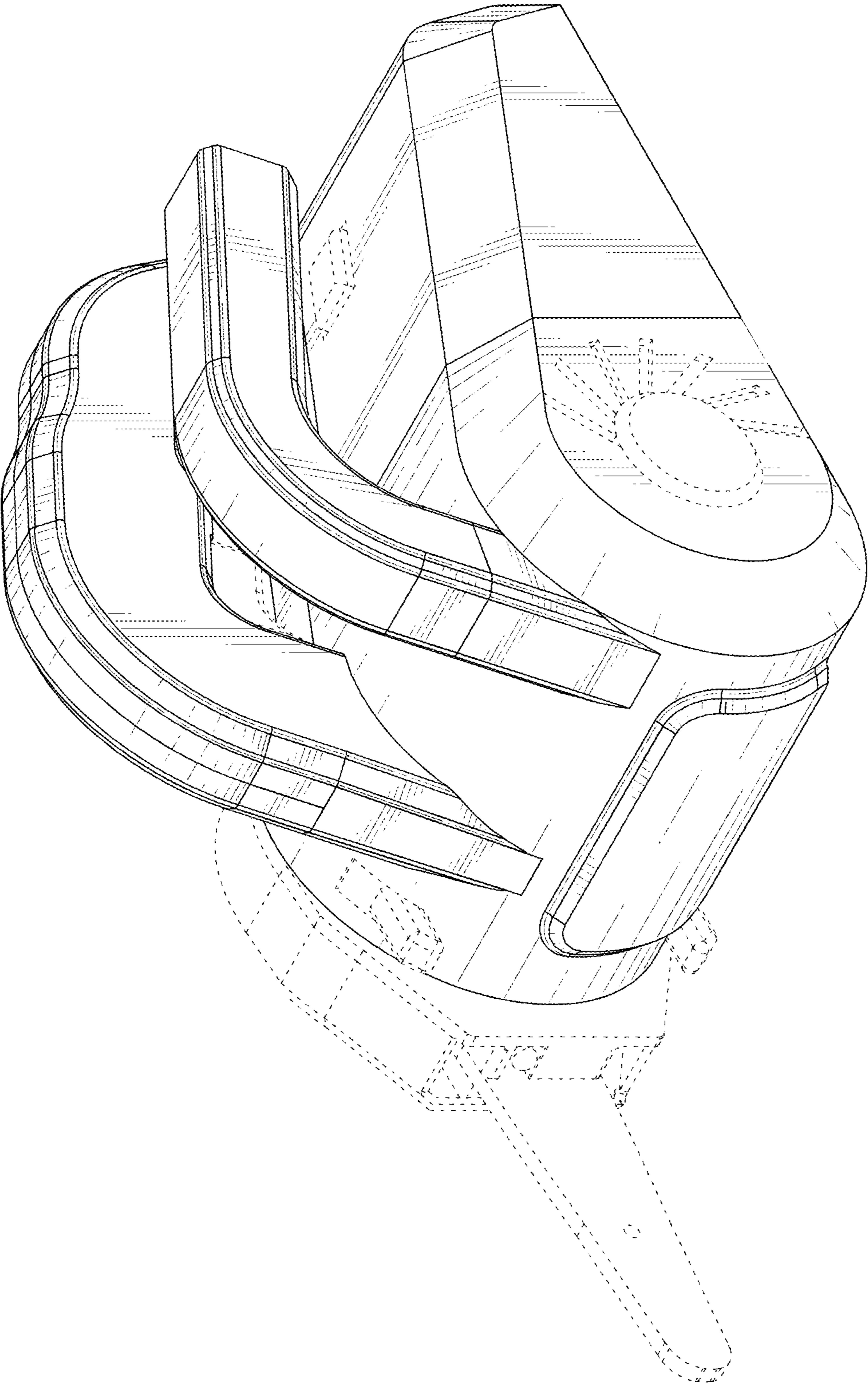


FIG. 9

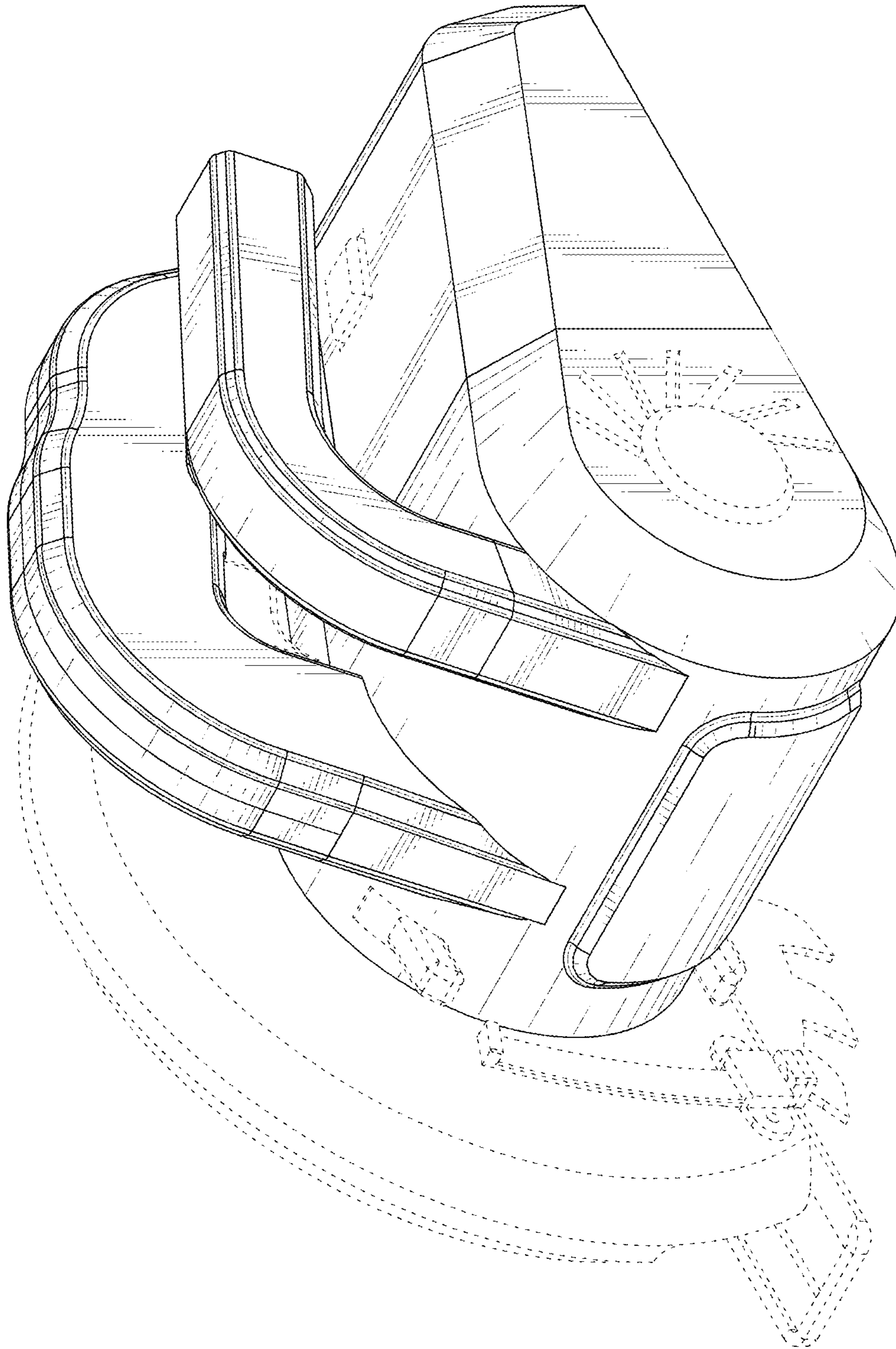


FIG. 10

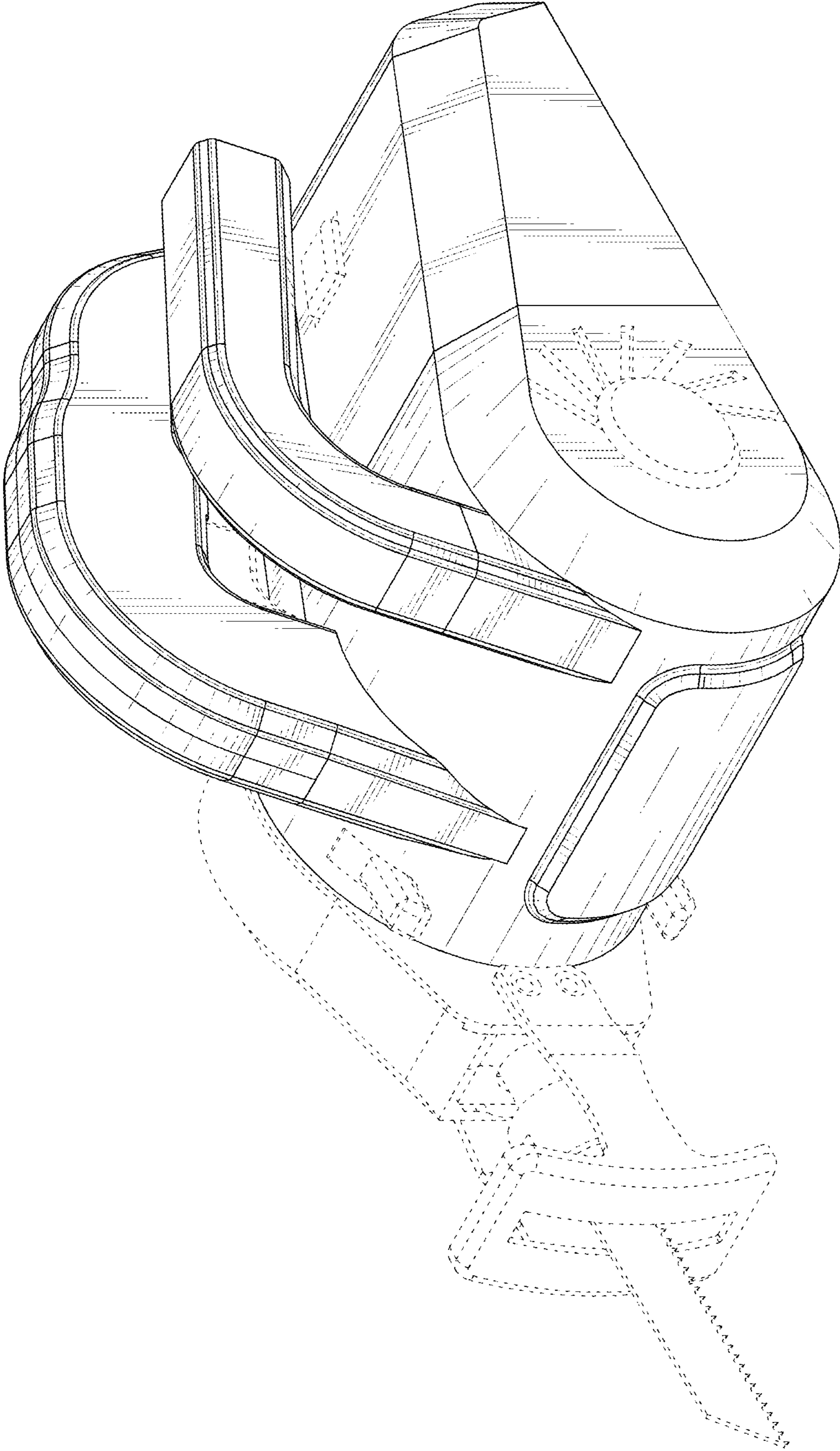


FIG. 11