



US00D974868S

(12) **United States Design Patent** (10) **Patent No.:** **US D974,868 S**
Li (45) **Date of Patent:** **** Jan. 10, 2023**

(54) **NAIL DRILL**

(71) Applicant: **Jianfeng Li**, Foshan (CN)

(72) Inventor: **Jianfeng Li**, Foshan (CN)

(**) Term: **15 Years**

(21) Appl. No.: **29/842,240**

(22) Filed: **Jun. 10, 2022**

(30) **Foreign Application Priority Data**

May 9, 2022 (EM) 009016892-0001

(51) **LOC (14) Cl.** **08-05**

(52) **U.S. Cl.**

USPC **D8/61; D8/39**

(58) **Field of Classification Search**

USPC D8/61, 39, 21; D28/8, 56, 57, 58, 59,
D28/60; D30/158

CPC A45D 29/007; A45D 29/05; A45D 29/14;
A45D 29/06; A01K 13/00; A01K 13/001;
A61B 17/54

See application file for complete search history.

(56) **References Cited**

U.S. PATENT DOCUMENTS

4,683,897 A * 8/1987 McBride A45D 29/05
132/73
D418,944 S * 1/2000 Choi D28/58
D427,040 S * 6/2000 Heun D8/61
D447,801 S * 9/2001 Saitoh D24/146
D511,401 S * 11/2005 Park D28/58
D895,210 S * 9/2020 Wu D28/59
D903,197 S * 11/2020 Du D28/58
D903,198 S * 11/2020 Du D28/58
D903,866 S * 12/2020 Chen D24/144
D909,681 S * 2/2021 Lu D28/57
D915,675 S * 4/2021 Li D15/132
D921,196 S * 6/2021 Wang D24/133
D929,042 S * 8/2021 Lu D28/58
D933,299 S * 10/2021 Fu D28/58

D937,502 S * 11/2021 Cran D30/158
D940,396 S * 1/2022 Lu D28/58
D945,073 S * 3/2022 Lu D30/158
D951,560 S * 5/2022 Chen D30/158
D952,948 S * 5/2022 Lu D28/58
D954,352 S * 6/2022 Lu D28/58
2010/0145373 A1 * 6/2010 Alon A61B 17/1662
604/20

(Continued)

FOREIGN PATENT DOCUMENTS

JP D1667499 * 1/2020
JP D1680047 * 4/2020

Primary Examiner — Marissa J Cash

Assistant Examiner — Kayla Marie Bennett

(74) *Attorney, Agent, or Firm* — Jeenam Park

(57) **CLAIM**

The ornamental design for a nail drill, as shown and described.

DESCRIPTION

FIG. 1 is a perspective view of a nail drill, showing my new design;

FIG. 2 is another perspective view thereof;

FIG. 3 is an exploded perspective view thereof;

FIG. 4 is a front view thereof;

FIG. 5 is a rear view thereof;

FIG. 6 is a left side view thereof;

FIG. 7 is a right side view thereof;

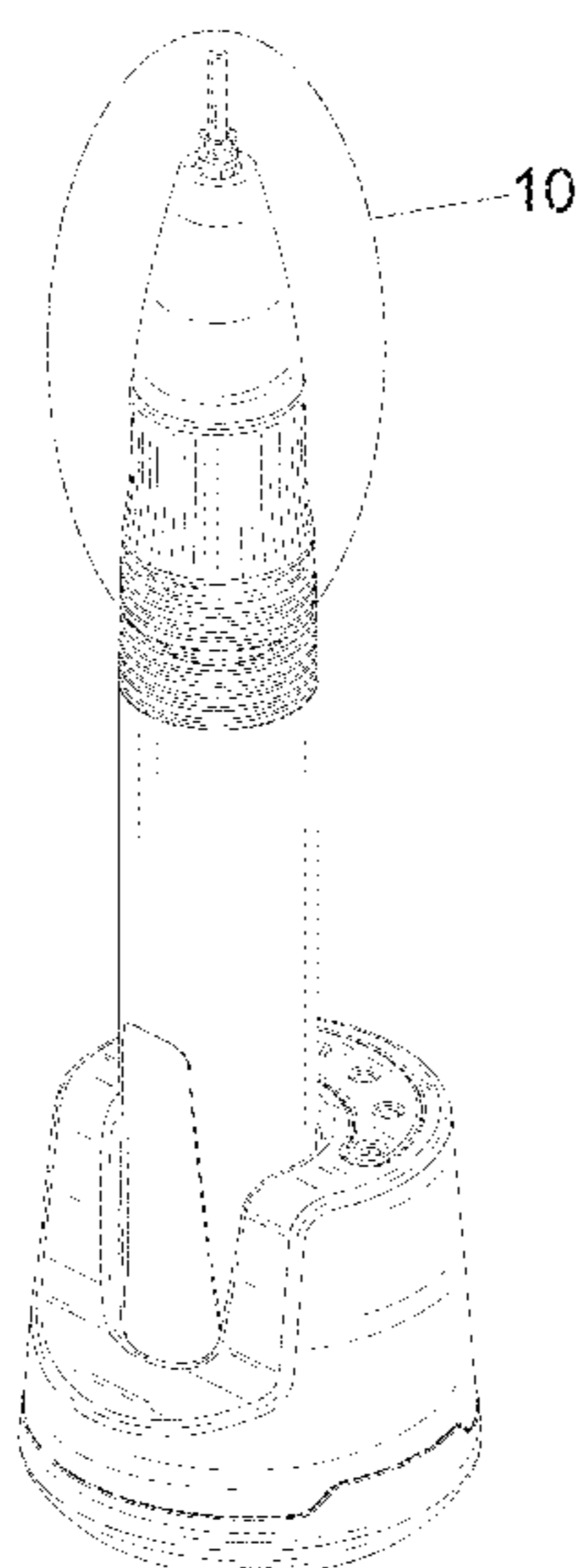
FIG. 8 is an enlarged top plan view thereof;

FIG. 9 is an enlarged bottom plan view thereof; and,

FIG. 10 is an enlarged view of portion of FIG. 1.

The evenly spaced broken lines shown in FIG. 9 illustrates portions of the nail drill that form no part of the claimed design; The dash-dot broken lines surrounding the detail views shown in FIGS. 1 and 10 are for annotative purposes only and form no part thereof.

1 Claim, 10 Drawing Sheets



(56)

References Cited

U.S. PATENT DOCUMENTS

2013/0092182 A1* 4/2013 Stockbauer A45D 29/05
132/75.8

* cited by examiner

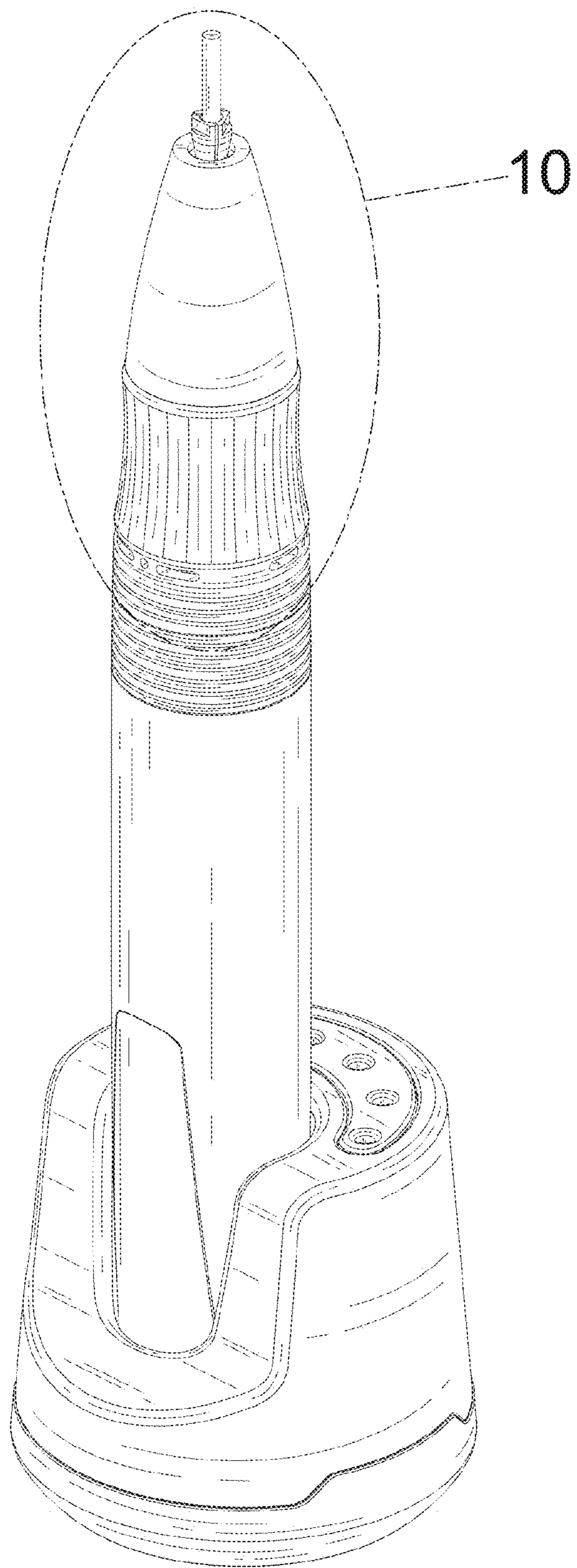


FIG. 1

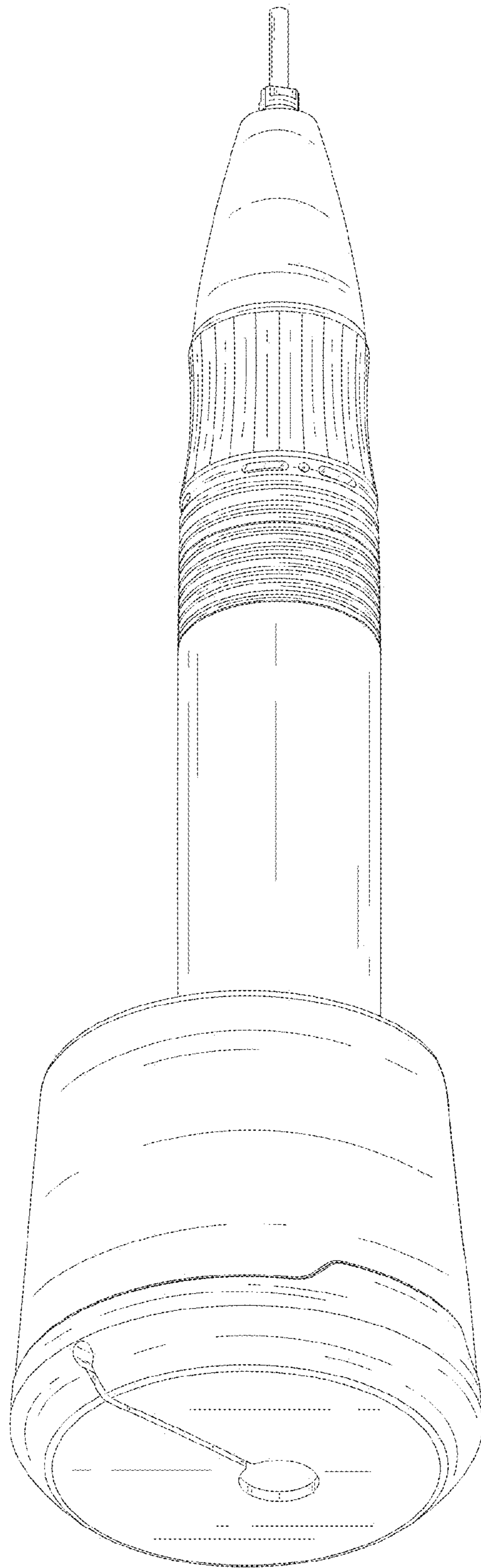


FIG. 2

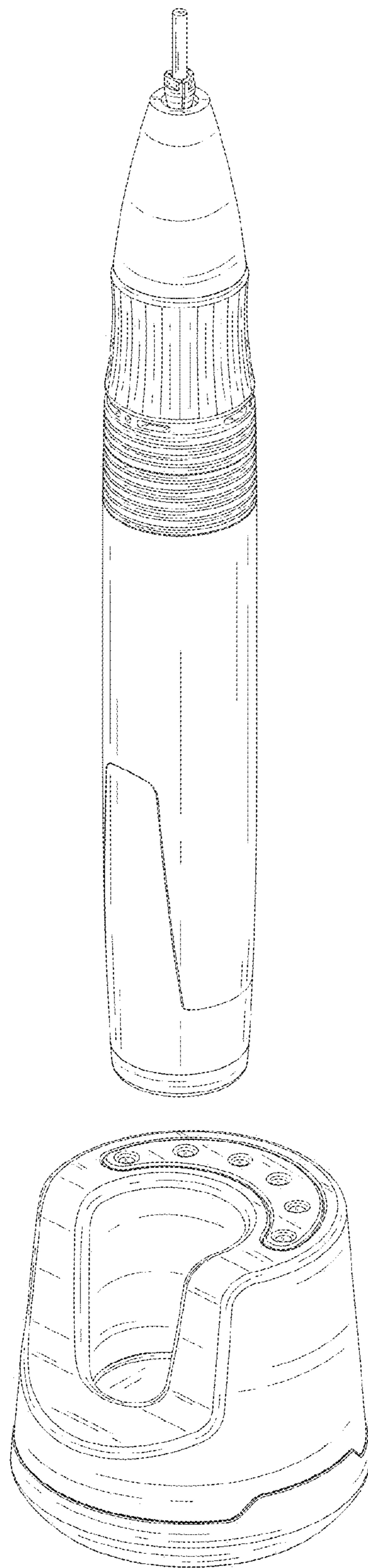


FIG. 3

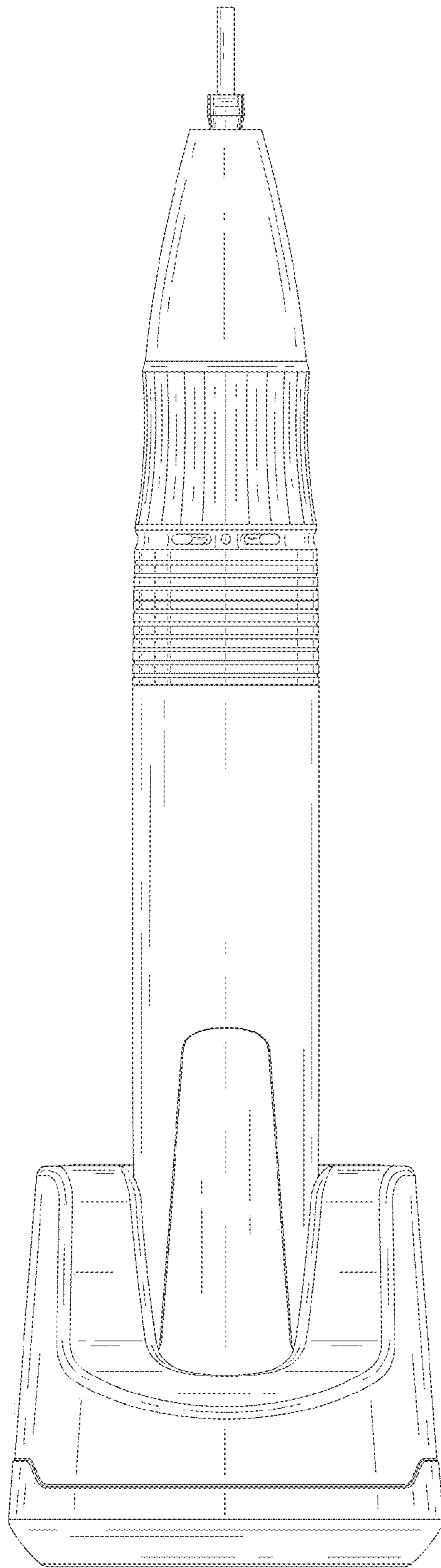


FIG. 4

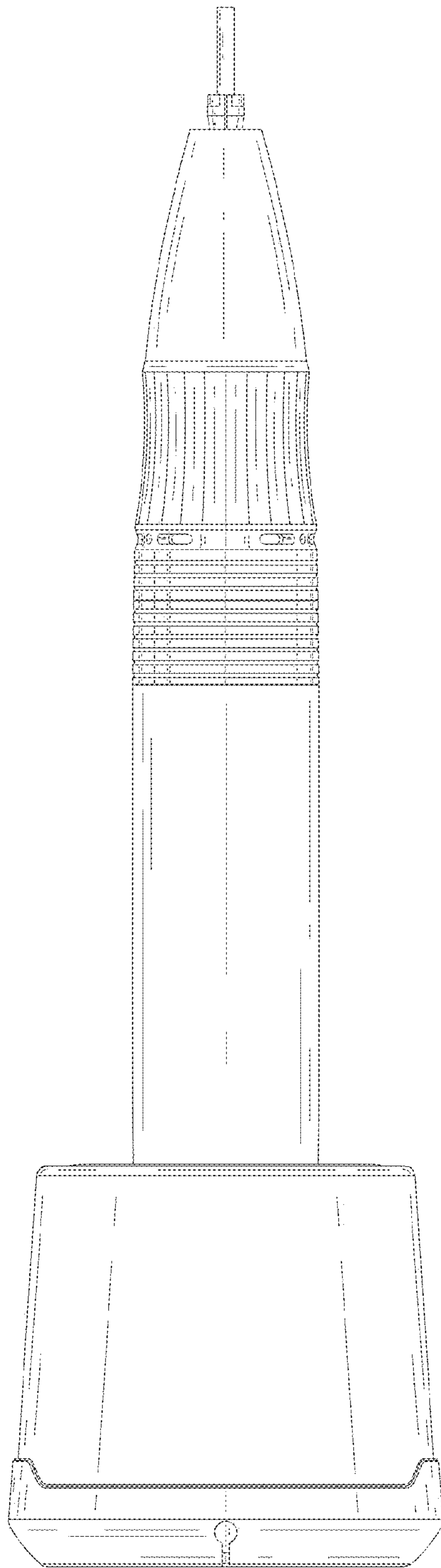


FIG. 5

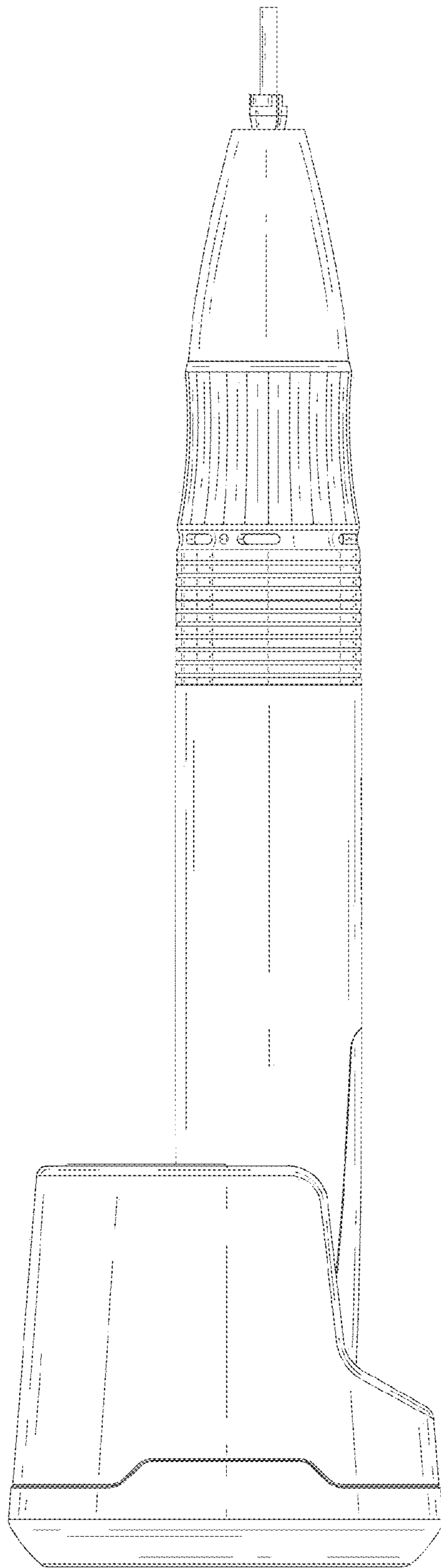


FIG. 6

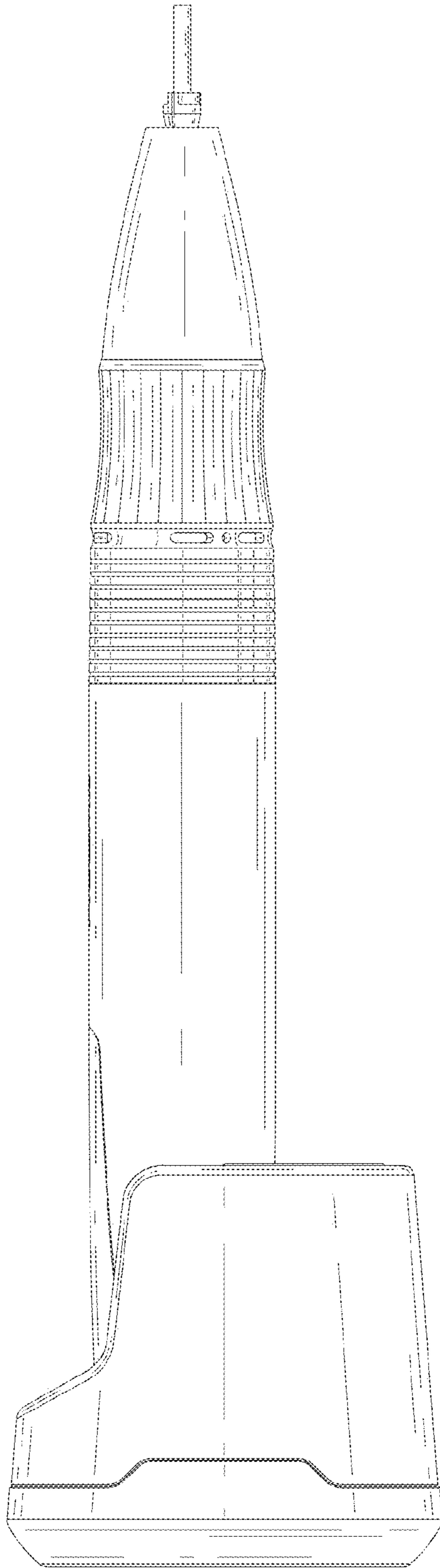


FIG. 7

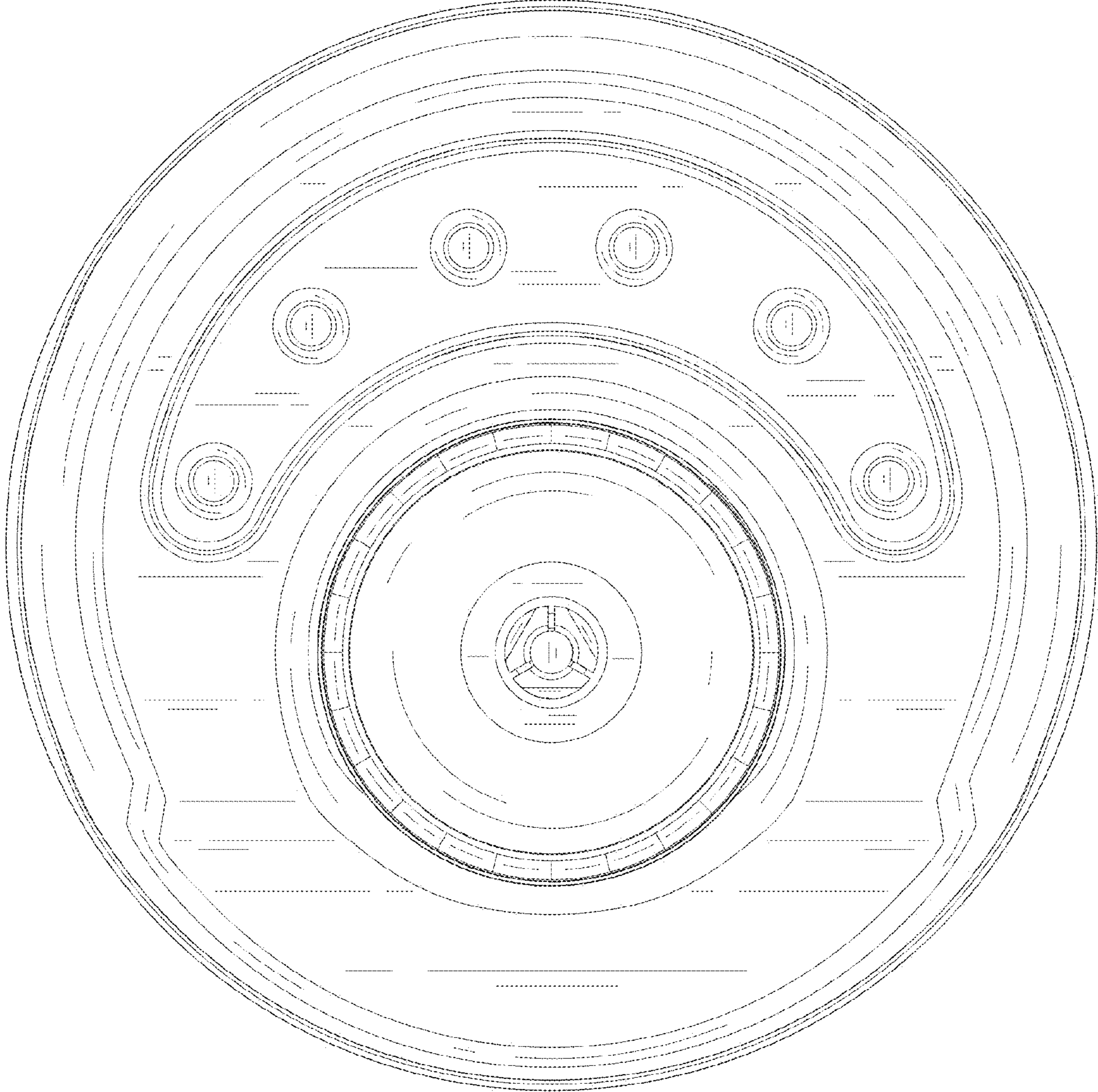


FIG. 8

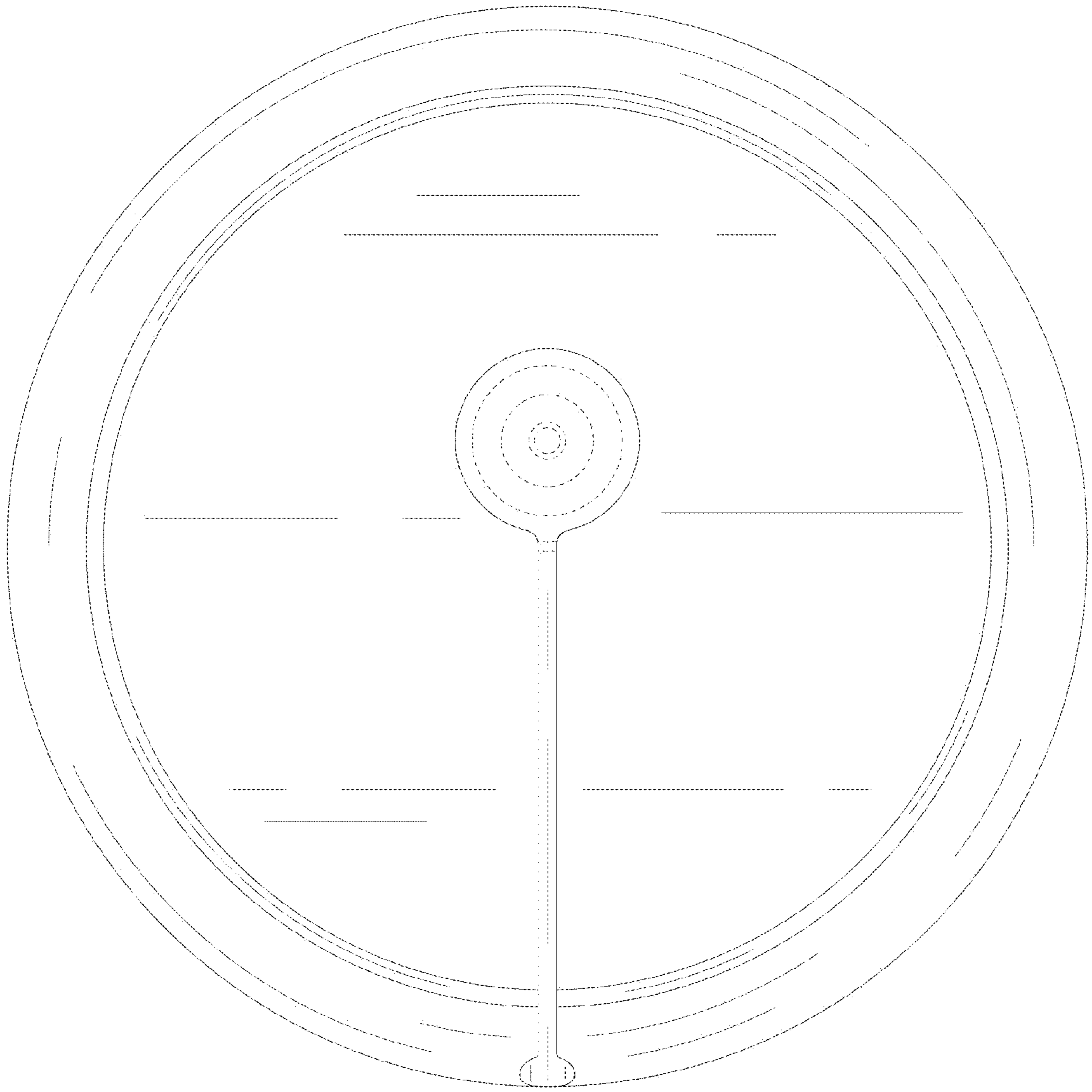


FIG. 9

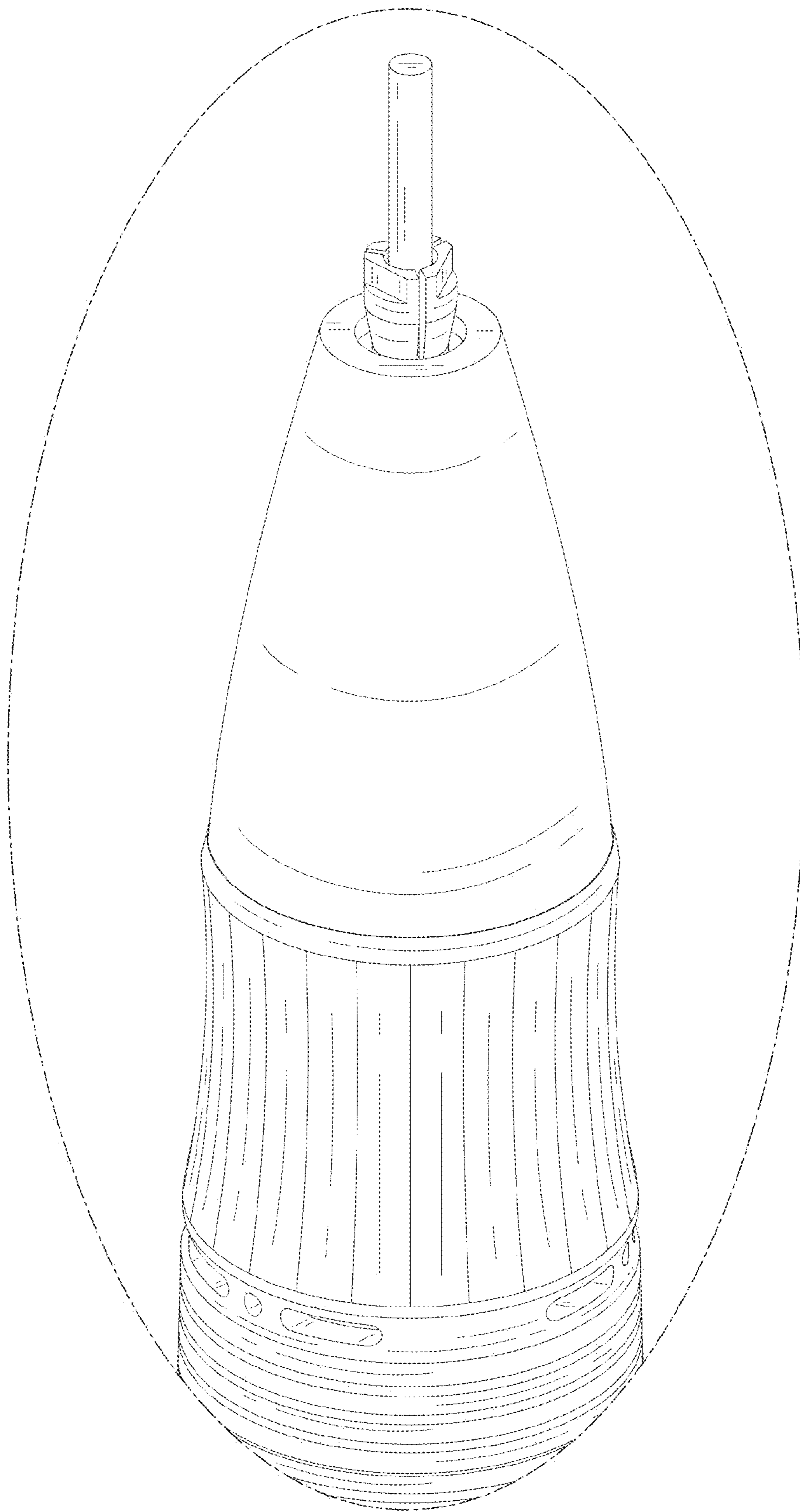


FIG. 10