



US00D974867S

(12) **United States Design Patent**
Fish et al.

(10) **Patent No.:** **US D974,867 S**
(45) **Date of Patent:** **** Jan. 10, 2023**

(54) **STAPLE REMOVER**

(71) Applicant: **WORKLIFE BRANDS LLC**,
Framingham, MA (US)

(72) Inventors: **Robert Fish**, Worcester, MA (US);
Marc Senger, Weymouth, MA (US);
Michael McDuffee, Gloucester, MA
(US); **Ben Beck**, Boston, MA (US);
John Swain, St. Paul, MN (US); **Nicole
Nassif**, Mansfield, MA (US)

(73) Assignee: **WORKLIFE BRANDS LLC**,
Framingham, MA (US)

(**) Term: **15 Years**

(21) Appl. No.: **29/706,016**

(22) Filed: **Sep. 17, 2019**

(51) **LOC (14) Cl.** **08-05**

(52) **U.S. Cl.**
USPC **D8/48**

(58) **Field of Classification Search**
USPC D8/354–357, 360, 373, 380–394, 5,
D8/401–402, 47–49, 40; D6/362, 702,
D6/709–710; D19/101, 108–110, 72
CPC A47B 2230/0077; A47B 2230/0081; A47B
47/025; A47B 47/042; A47F 5/10; F16B
12/125; F16B 12/22; F16B 12/24; F16B
15/08; F16B 15/06; F16B 15/0015; F16B
15/0092; F16B 15/02; F16B 15/00; F16B
15/0007; F16B 15/0023; F16B 15/04
See application file for complete search history.

(56) **References Cited**

U.S. PATENT DOCUMENTS

2,400,988 A * 5/1946 Goessel B25C 11/00
254/28
D352,217 S * 11/1994 Hochfeld D8/104
D394,996 S * 6/1998 Fong D8/48

D414,998 S * 10/1999 Cheldin D8/48
D438,440 S * 3/2001 Cheldin D8/48
D492,173 S * 6/2004 Huang D19/906
D547,156 S * 7/2007 Lee D8/104
D689,926 S * 9/2013 Miskin D19/123
D700,935 S * 3/2014 Miskin D19/123
D710,167 S * 8/2014 Miskin D8/48
D713,709 S * 9/2014 Goldman D8/104
D724,402 S * 3/2015 Miskin B25C 11/00
D899,904 S * 10/2020 Barnes D8/382
(Continued)

OTHER PUBLICATIONS

Rapesco PSR101B1 101 Office Staple Remover, Date Visited: May 5, 2022, Amazon, Date Available: Oct. 2, 2006, <https://www.amazon.co.uk/Rapesco-Staple-Remover-Office-Black/dp/B00211U8TY> (Year: 2006).*

(Continued)

Primary Examiner — Karen S Acker
Assistant Examiner — Elizabeth S Ko
(74) *Attorney, Agent, or Firm* — Sheridan Ross P.C.

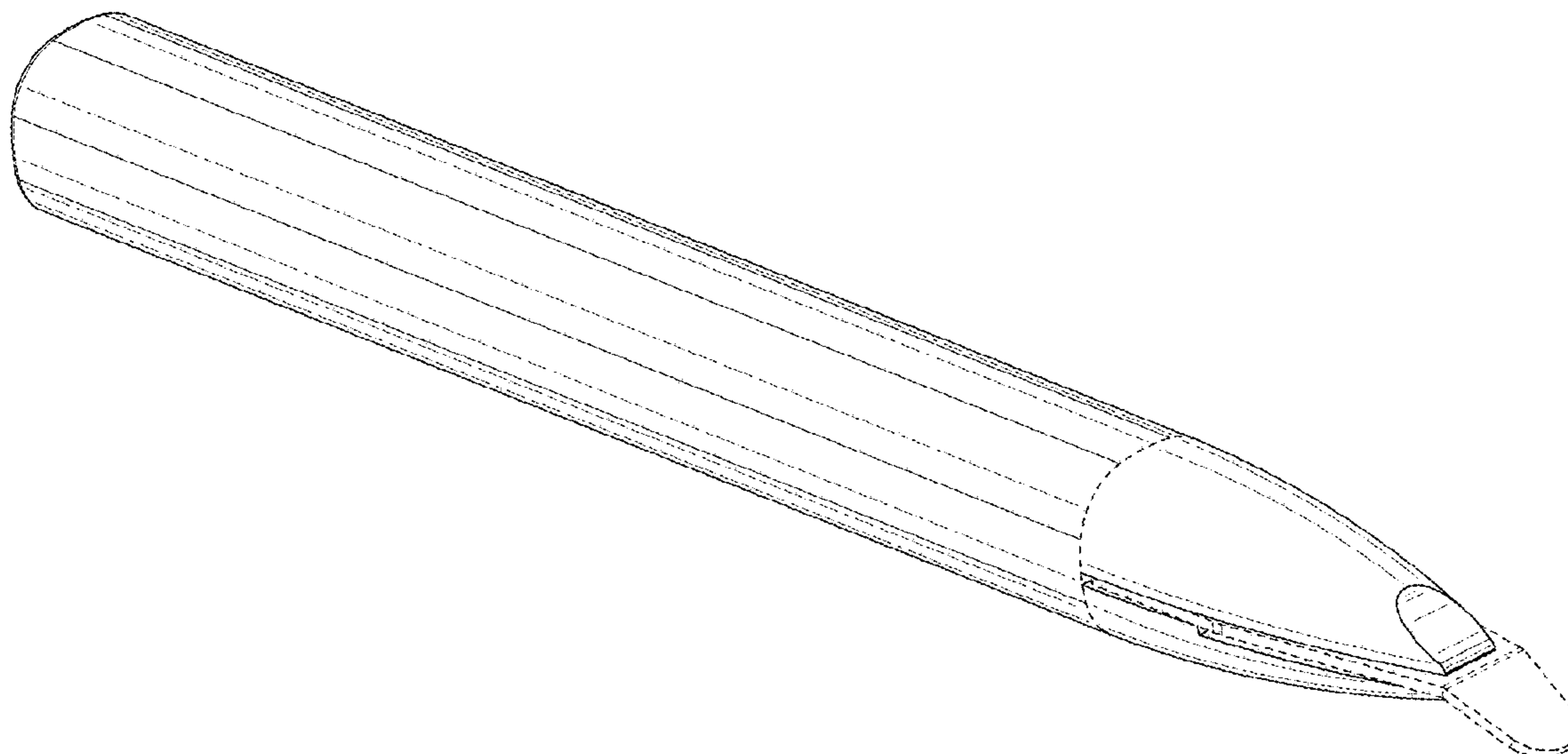
(57) **CLAIM**

The ornamental design for a staple remover, as shown and described.

DESCRIPTION

FIG. 1 is a perspective view of a staple remover;
FIG. 2 is a front elevation view thereof;
FIG. 3 is a rear elevation view thereof;
FIG. 4 is a left elevation view thereof;
FIG. 5 is a right elevation view thereof;
FIG. 6 is a top plan view thereof; and,
FIG. 7 is a bottom plan view thereof.
The broken lines and unshaded areas adjacent the solid lines in the drawings depict portions of the staple remover that form no part of the claimed design.

1 Claim, 6 Drawing Sheets



(56)

References Cited

U.S. PATENT DOCUMENTS

D943,393 S * 2/2022 McVey D8/354

OTHER PUBLICATIONS

Tru Red™ Push Staple Remover, Date Visited: May 5, 2022, Target, Date Available: Jul. 28, 2020, https://www.staples.com/tru-red-push-staple-remover-black-tr58086/product_24418189 (Year: 2020).*

Tru Red Tr58086 Push Staple Remover, Date Visited: May 5, 2022, Amazon, Date Available: Jul. 12, 2020, <https://www.amazon.com/TRU-RED-TR58086-Staple-Remover/dp/B08CTQF27C> (Year: 2020).*

* cited by examiner

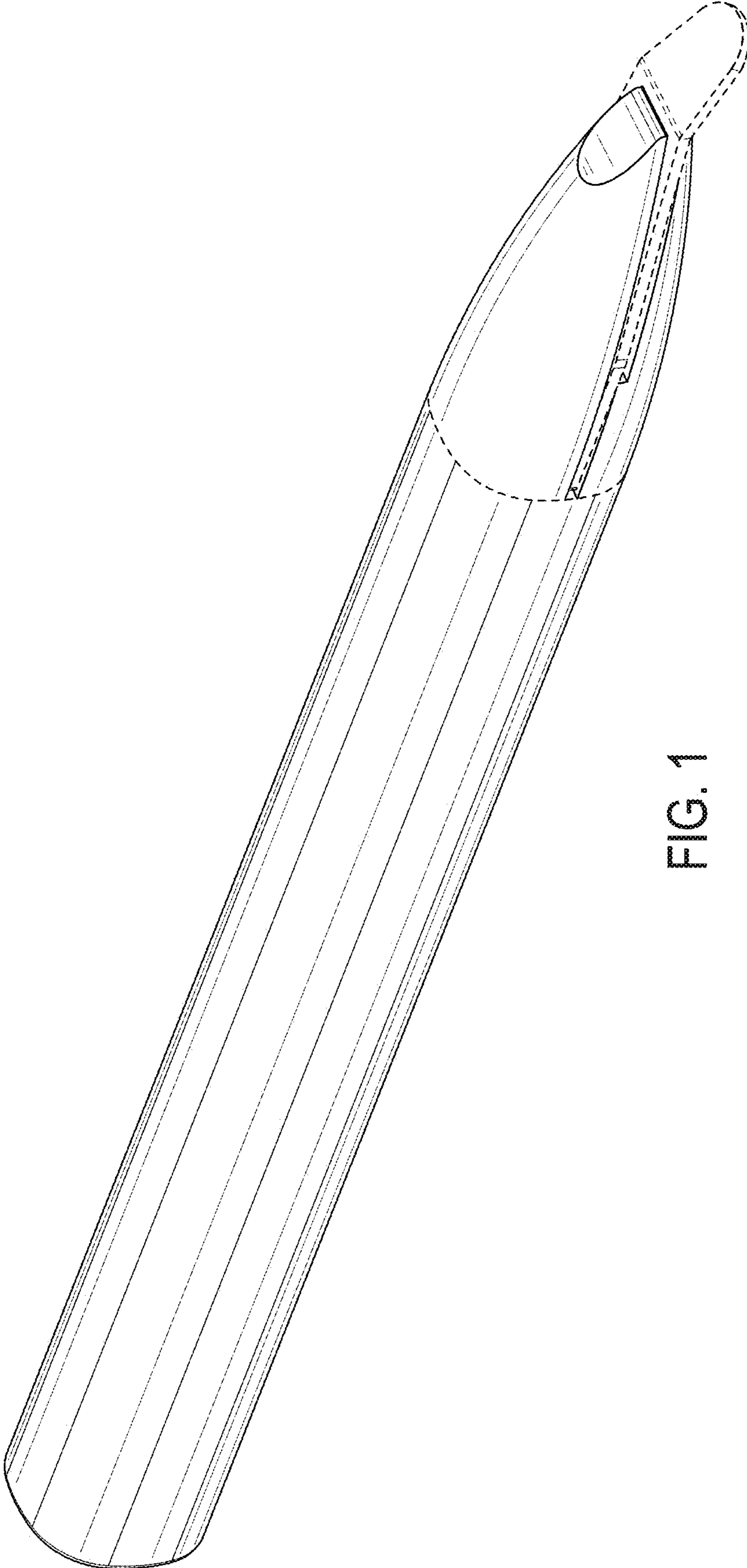


FIG. 1

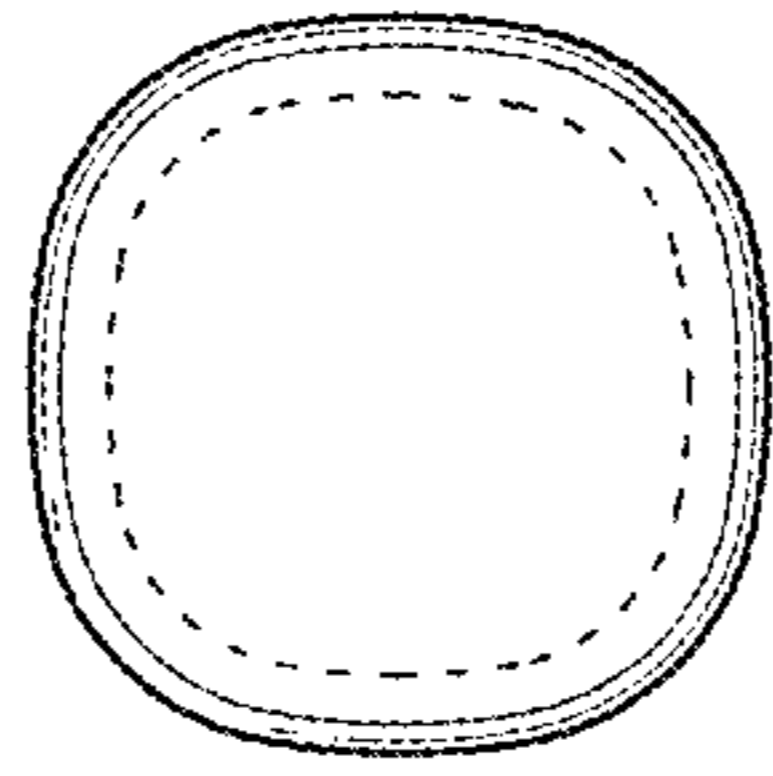


FIG. 3

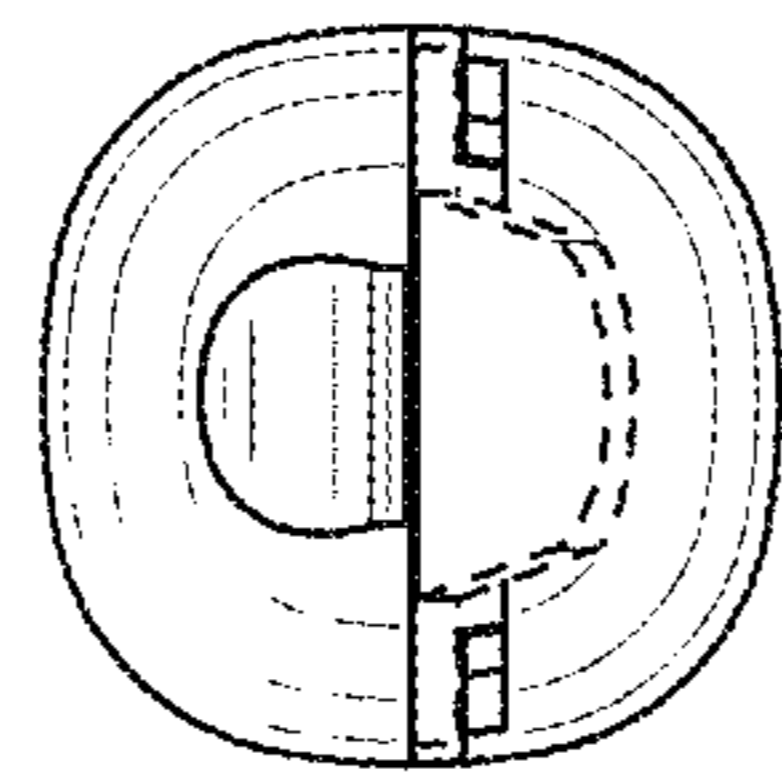


FIG. 2

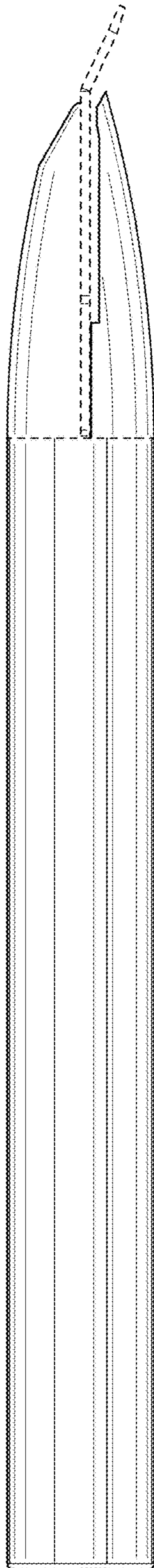


FIG. 4

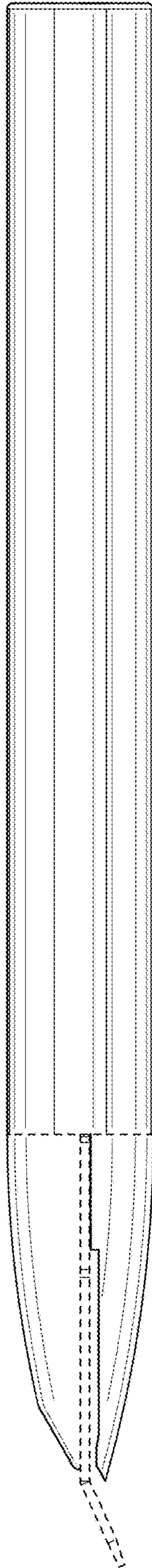


FIG. 5

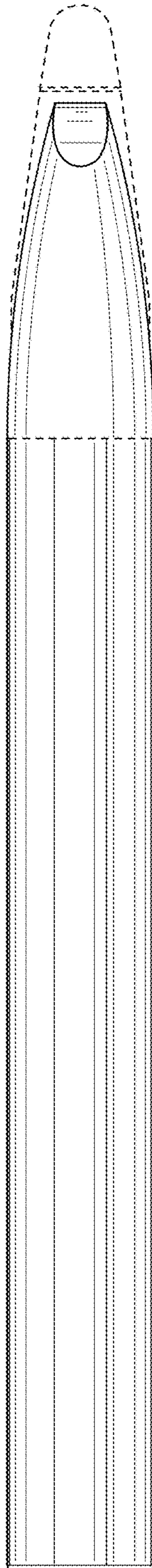


FIG. 6

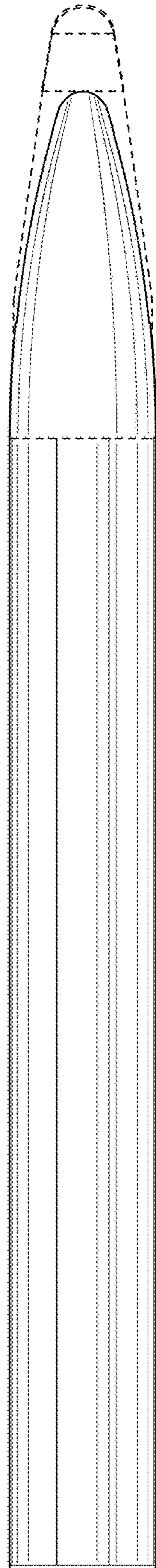


FIG. 7