



US00D974862S

(12) **United States Design Patent** (10) **Patent No.:** **US D974,862 S**
Giles (45) **Date of Patent:** **** *Jan. 10, 2023**

(54) **TENNIS BOTTLE**
(71) Applicant: **Carleton J Giles**, Columbia, SC (US)
(72) Inventor: **Carleton J Giles**, Columbia, SC (US)
(*) Notice: This patent is subject to a terminal disclaimer.

D400,395 S * 11/1998 Wilson D7/396.2
5,906,286 A * 5/1999 Matsuno B29C 49/12
220/675
D416,173 S * 11/1999 Hersch D7/514
D419,058 S * 1/2000 Roth D7/901
D427,057 S * 6/2000 Roth D7/901
D427,514 S * 7/2000 Roth D7/901
D431,417 S * 10/2000 Lipson D7/529

(Continued)

(**) Term: **15 Years**

FOREIGN PATENT DOCUMENTS

(21) Appl. No.: **29/762,118**

CN 303894263 * 10/2016
CN 305534581 * 1/2020

(22) Filed: **Dec. 15, 2020**

(Continued)

(51) **LOC (14) Cl.** **07-01**

(52) **U.S. Cl.**

USPC **D7/901**; D7/509; D7/515; D9/668

(58) **Field of Classification Search**

USPC D3/14, 270, 271.1, 271.9; D4/107, 124;
D6/557; D7/301-303, 507, 509-511,
D7/514, 518, 606, 613, 619.2, 623, 628,
D7/634, 651, 654, 663, 702, 901;
D9/500, 519, 537, 539, 608, 646, 668;
D11/133, 149, 157; D24/198, 208;
D27/120, 148, 165, 171, 177, 178, 182,
D27/188, 192

CPC A45F 3/16; A45F 3/18; A47F 2003/16;
A47G 19/2205; A47G 19/2227; A47G
19/2272; A47G 19/2288; A47G 2019/122;
B65D 1/02; B65D 23/00; B65D 23/08;
B65D 23/102; B65D 81/38; B65D 85/72

See application file for complete search history.

OTHER PUBLICATIONS

Sottsass, Ettore, "Venini Yemen Vase," 1994, Scopelliti 1887,
<https://scopelliti1887.com/venini-yemen-vase/> (Year: 1994).*

(Continued)

Primary Examiner — Joseph Kukella
Assistant Examiner — Arva P Adams
(74) *Attorney, Agent, or Firm* — Southeast IP Group;
Thomas L. Moses

(57) **CLAIM**

The ornamental design for a tennis bottle, as shown and described.

DESCRIPTION

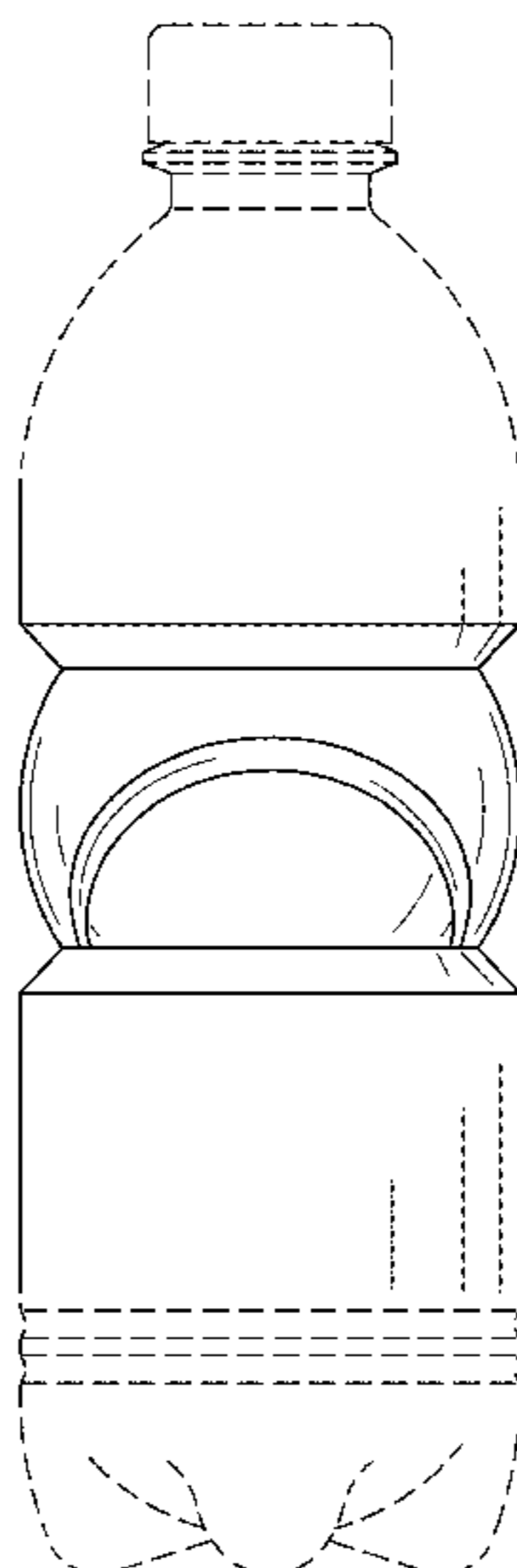
FIG. 1 is a front view of a tennis bottle showing my new design;
FIG. 2 is a right side view thereof.
FIG. 3 is a left side view thereof.
FIG. 4 is a rear view thereof.
FIG. 5 is a top plan view thereof; and,
FIG. 6 is a bottom plan view thereof.
The broken lines illustrates portions of the tennis bottle that forms no part of the claimed design.

(56) **References Cited**

U.S. PATENT DOCUMENTS

D166,731 S * 5/1952 Blunt D9/500
D249,918 S * 10/1978 Block D7/901
D286,940 S * 12/1986 Saladino D7/901
D286,941 S * 12/1986 Saladino D7/901
D286,943 S * 12/1986 Saladino D7/901
D357,500 S * 4/1995 Mutterperl D19/135
D387,613 S * 12/1997 Wilson D7/396.2

1 Claim, 5 Drawing Sheets



(56)

References Cited

U.S. PATENT DOCUMENTS

D447,172 S * 8/2001 Cohen D19/155
 D470,770 S * 2/2003 Machado D9/500
 D473,469 S * 4/2003 Claessen D9/539
 D499,554 S * 12/2004 Ramelli D4/138
 D529,816 S * 10/2006 Yorn D9/668
 D549,107 S * 8/2007 Bourne D9/554
 D586,187 S * 2/2009 Sax D7/606
 D594,700 S * 6/2009 Sax D7/901
 D594,702 S * 6/2009 Sax D7/901
 D601,851 S * 10/2009 Lopez D7/901
 D604,178 S * 11/2009 Bowyer D9/500
 D604,562 S * 11/2009 Lopez D7/901
 D665,265 S * 8/2012 Fonseca D9/668
 D673,225 S * 12/2012 Heidrich D21/400
 D688,041 S * 8/2013 Kroupa D3/264
 D691,896 S * 10/2013 Martin D9/668
 D704,567 S * 5/2014 Sanders D9/519
 D710,711 S * 8/2014 Martin D9/668
 D721,586 S * 1/2015 Sharpe D9/500
 D739,259 S * 9/2015 Sanders D9/519
 D740,130 S * 10/2015 Martin D9/668

D741,194 S * 10/2015 Martin D9/551
 D761,660 S * 7/2016 Giles B29C 49/12
 D9/668
 D762,124 S * 7/2016 Giles D9/668
 D762,482 S * 8/2016 Giles D9/539

FOREIGN PATENT DOCUMENTS

GR 6003834-0001 * 2/2015
 RU 00046528 * 12/1999
 RU 00066667 * 6/2008

OTHER PUBLICATIONS

Hyde, Rory, "Soccer ball water bottle," Feb. 25, 2009, Flickr, www.flickr.com/photos/roryrory/3370085955 (Year: 2009).*
 MacDonald, Brady, "Disney unveils 'thermal detonator' Coca-Cola bottles," Apr. 15, 2019, The Orange County Register, www.ocregister.com/2019/04/15/disney-unveils-thermal-detonator-coca-cola-bottles-with-aurebesh-logos-coming-to-star-wars-galaxys-edge (Year: 2019).*
 Clipoki, "Sports Water Bottle for Kids," Nov. 19, 2019, Amazon.com, www.amazon.com/dp/B081PRL7N7 (Year: 2019).*

* cited by examiner

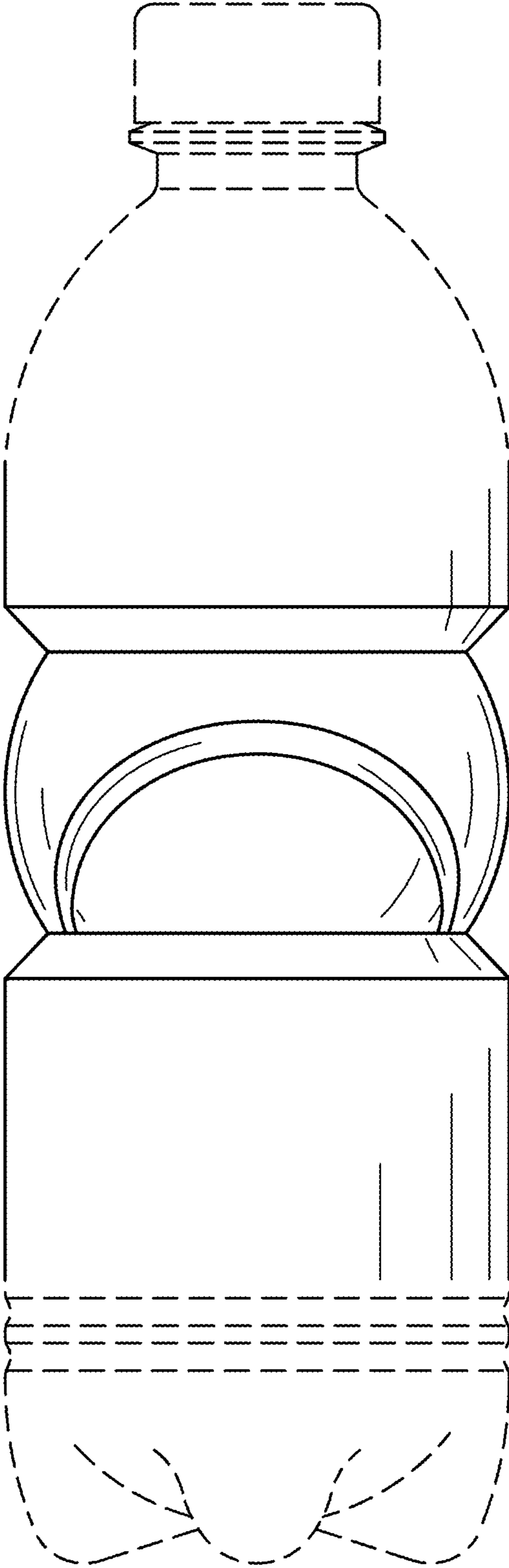


FIG. 1

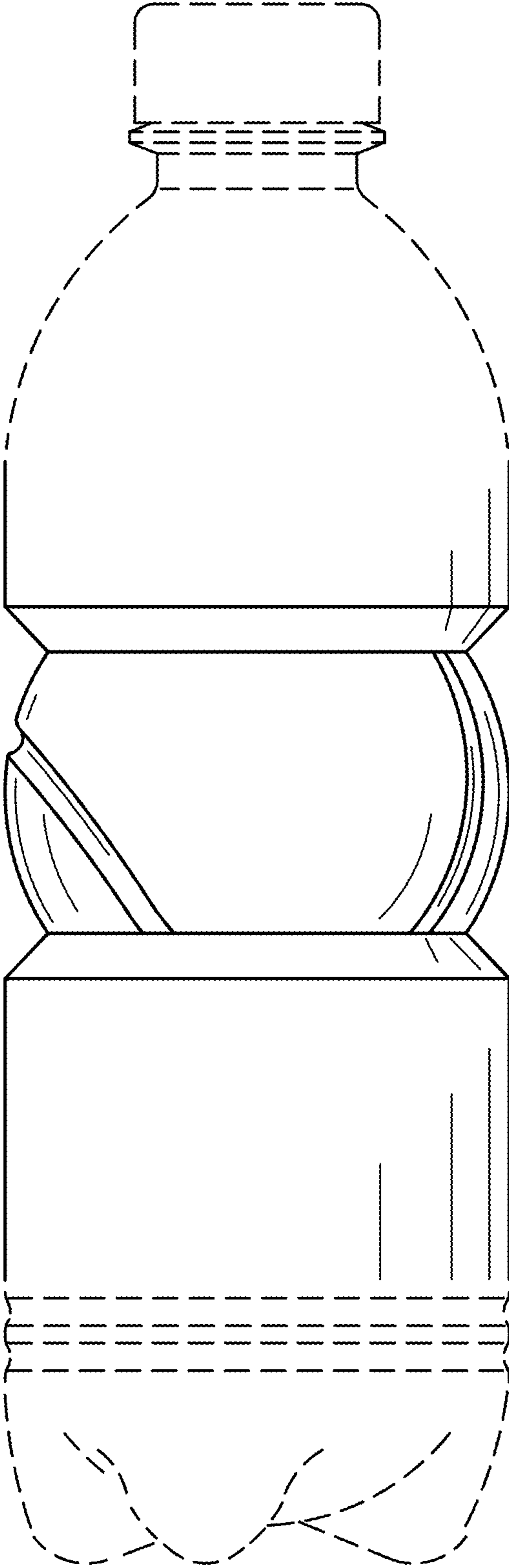


FIG. 2

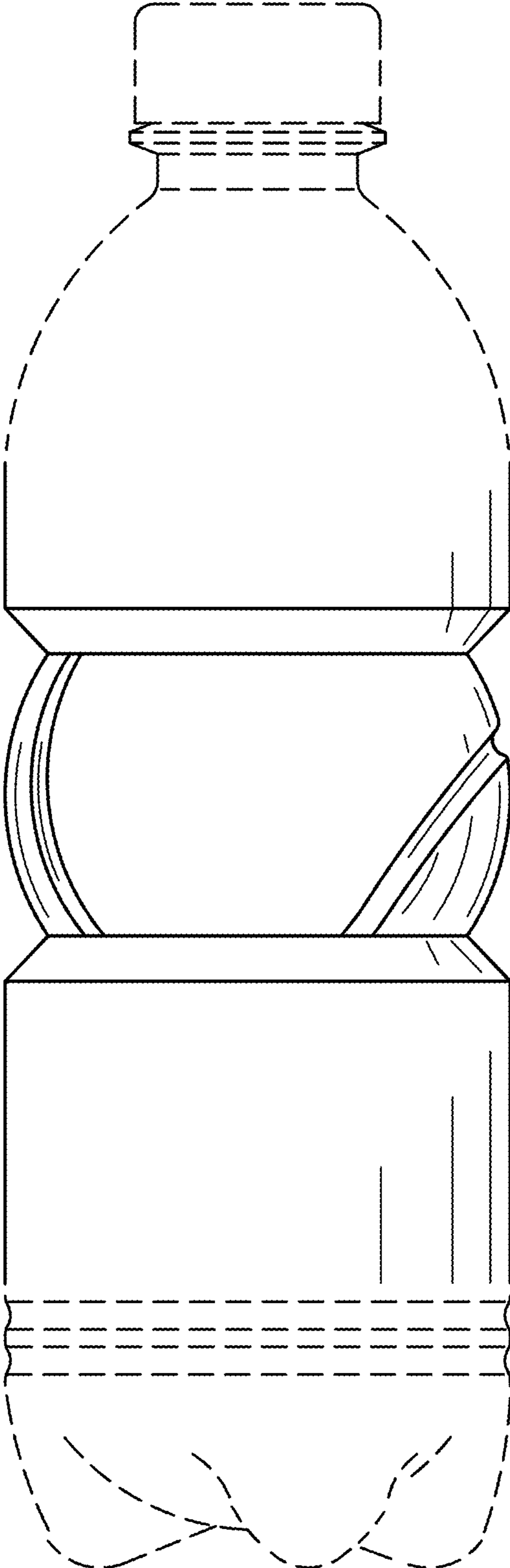


FIG. 3

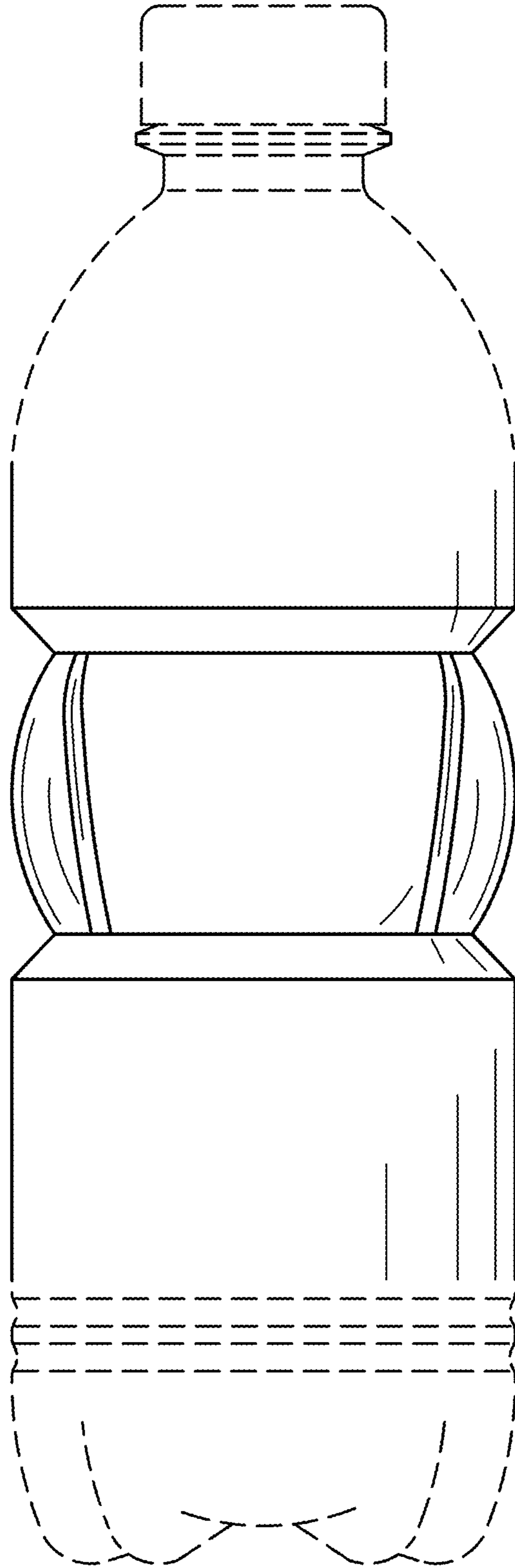


FIG. 4

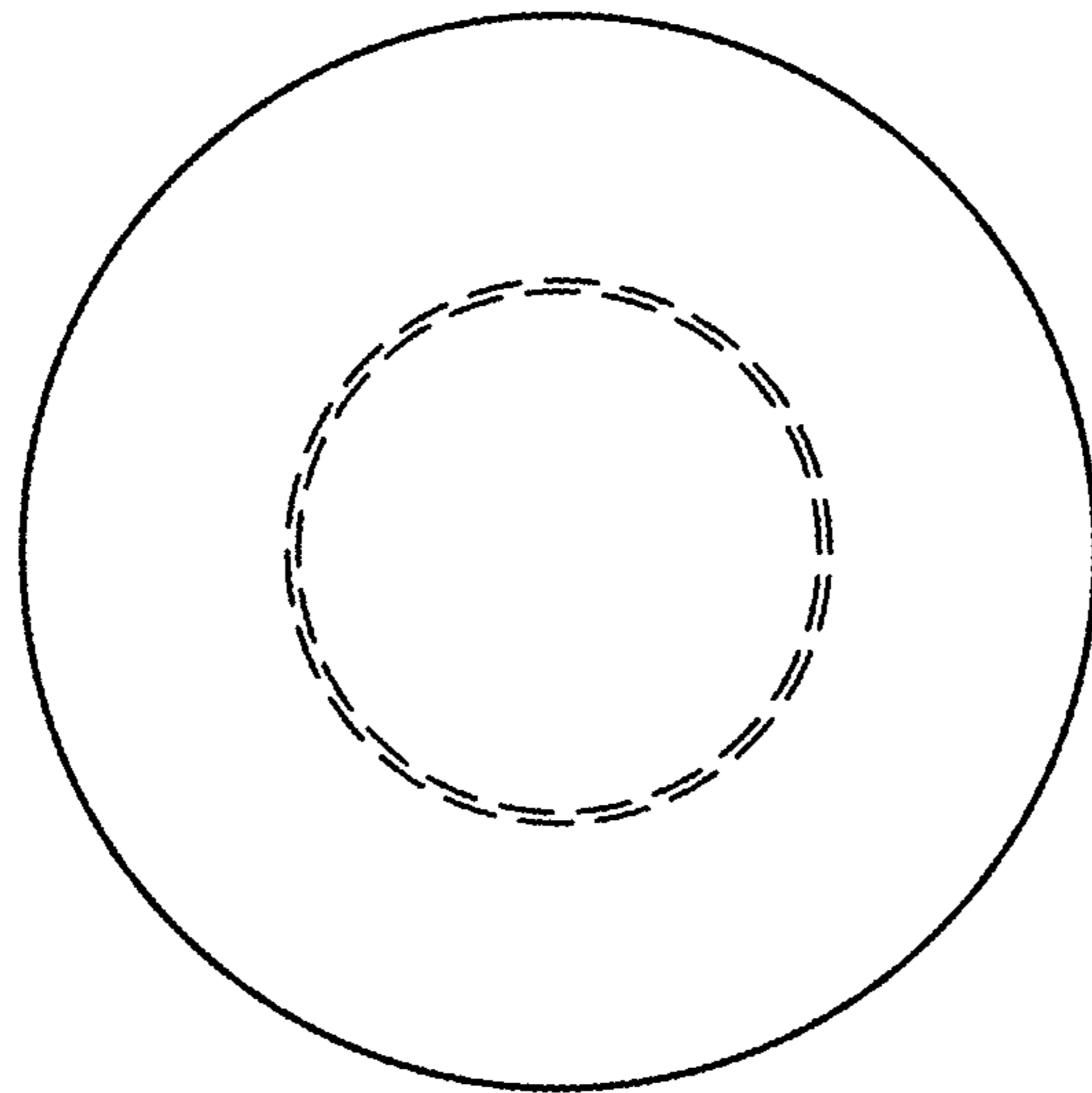


FIG. 5

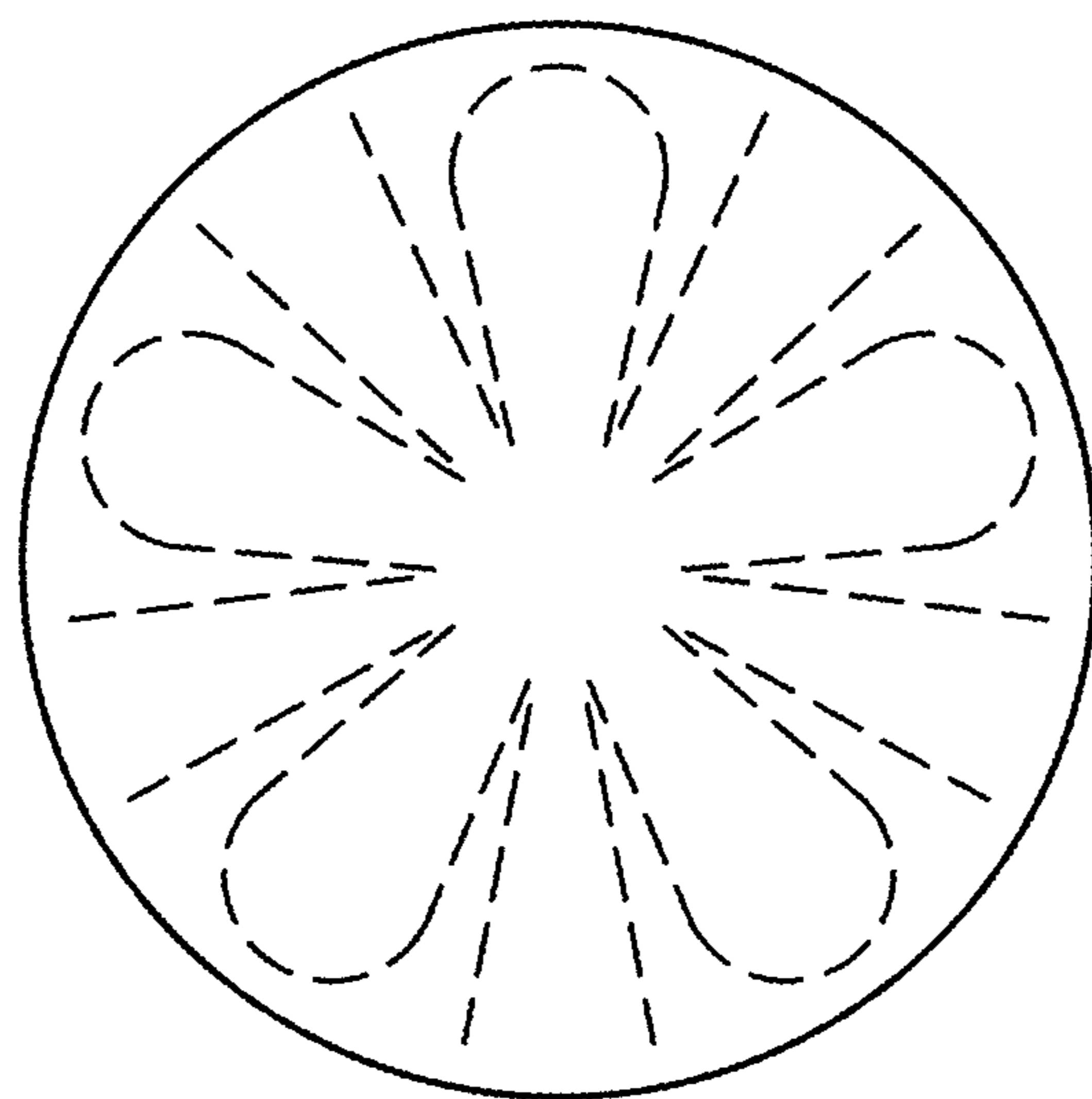


FIG. 6