



US00D974860S

(12) **United States Design Patent**  
**Ramirez**

(10) **Patent No.:** **US D974,860 S**

(45) **Date of Patent:** **\*\* Jan. 10, 2023**

(54) **BOTTLE STORAGE HOLDER RACK**

D603,228 S \* 11/2009 Frentzel ..... D3/311

D734,109 S 7/2015 Goodman et al.

D789,163 S \* 6/2017 Nemoto ..... D7/701

D908,452 S \* 1/2021 Song ..... D7/701

(71) Applicant: **Patent One LLC**, Dover, DE (US)

(72) Inventor: **Roberts Ramirez**, Dover, DE (US)

\* cited by examiner

(\*\*) Term: **15 Years**

*Primary Examiner* — Terry A Wallace

(21) Appl. No.: **29/852,545**

(74) *Attorney, Agent, or Firm* — Whitewood Law PLLC

(22) Filed: **Sep. 8, 2022**

(51) **LOC (14) Cl.** ..... **07-09**

(57) **CLAIM**

(52) **U.S. Cl.**

USPC ..... **D7/701**

The ornamental design for a bottle storage holder rack, as shown.

(58) **Field of Classification Search**

USPC ..... D7/701–708, 600.1–600.4

CPC ..... A47B 73/00; A47B 73/002; A47B 73/004;

A47B 73/006; A47B 73/008; A47B

81/04; A47G 23/0241; A47G 23/0208;

A45C 11/20; A47J 47/16; A47F 7/28;

A47F 7/283

See application file for complete search history.

**DESCRIPTION**

FIG. 1 is a perspective view of a bottle storage holder rack;

FIG. 2 is a front view thereof;

FIG. 3 is a rear view thereof;

FIG. 4 is a left side elevational view thereof;

FIG. 5 is a right side elevational view thereof;

FIG. 6 is a top plan view thereof; and,

FIG. 7 is a bottom plan view thereof.

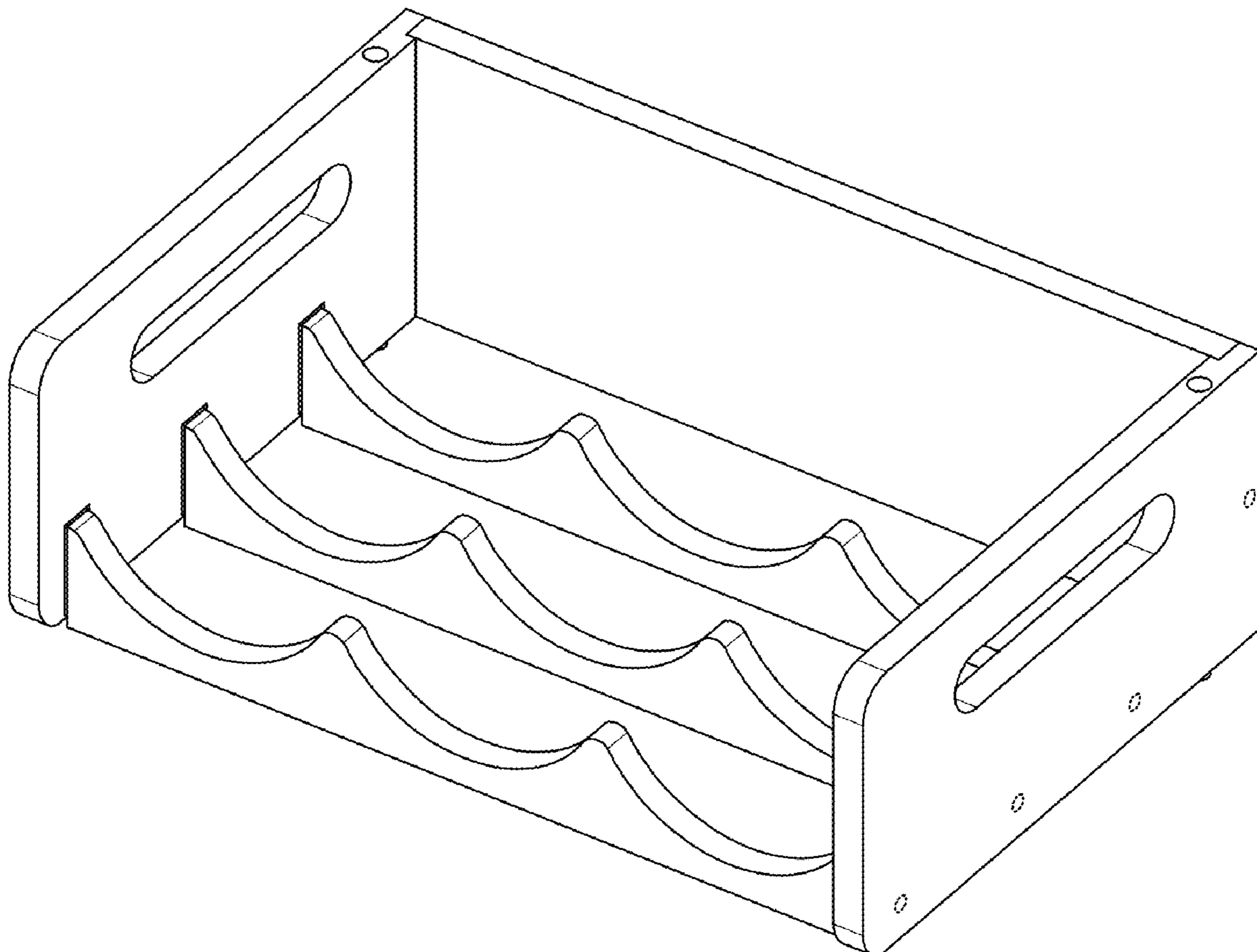
(56) **References Cited**

**U.S. PATENT DOCUMENTS**

D232,340 S \* 8/1974 Lax ..... D6/675.1

D566,490 S \* 4/2008 Frentzel ..... D7/701

**1 Claim, 7 Drawing Sheets**



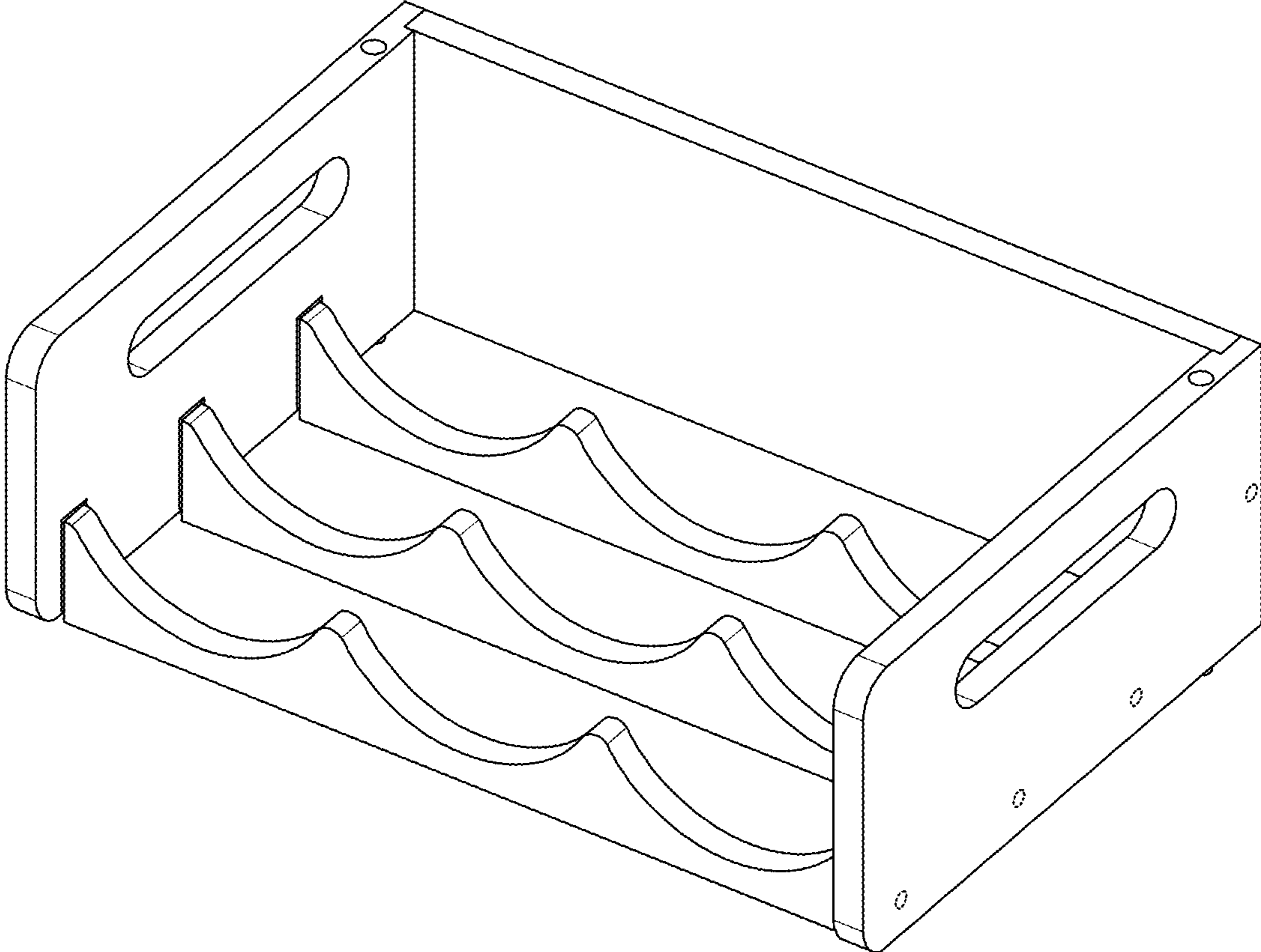


FIG. 1

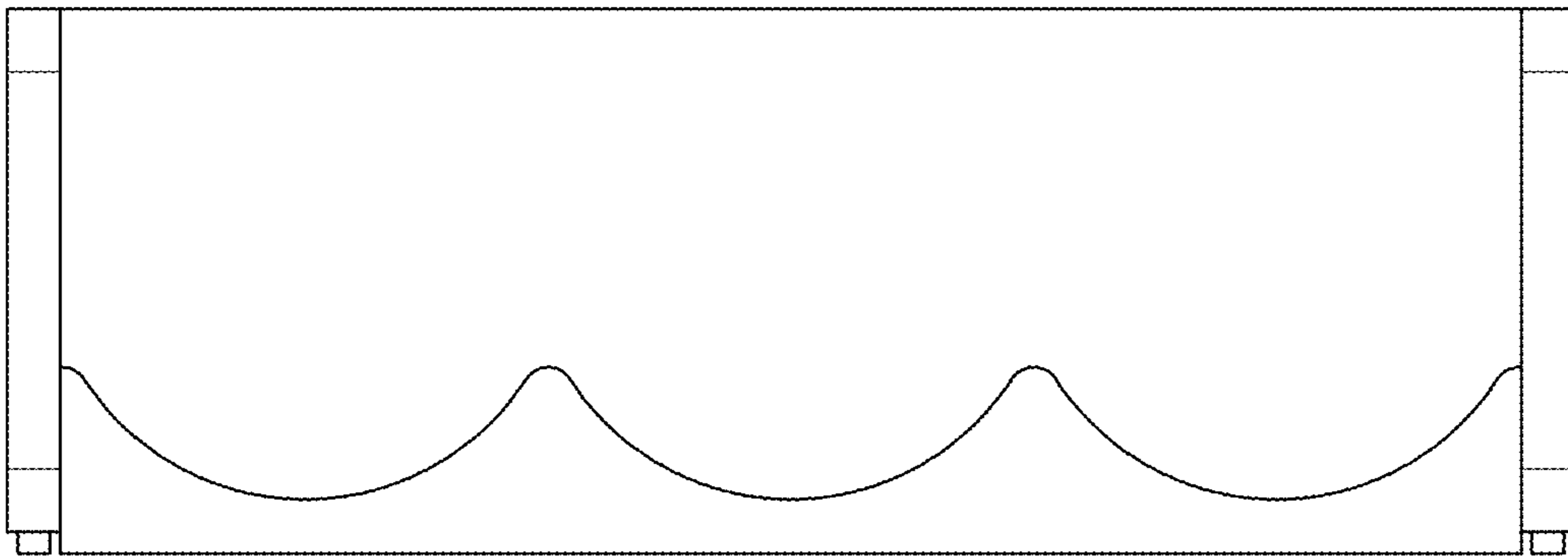


FIG. 2

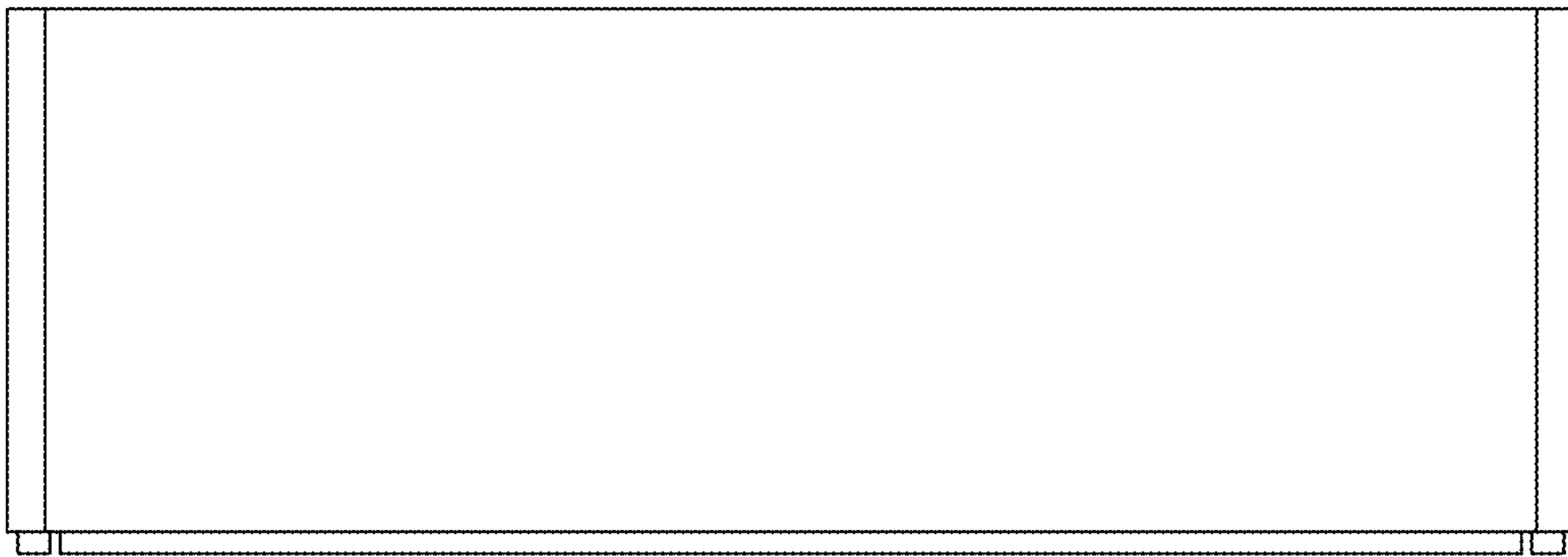


FIG. 3

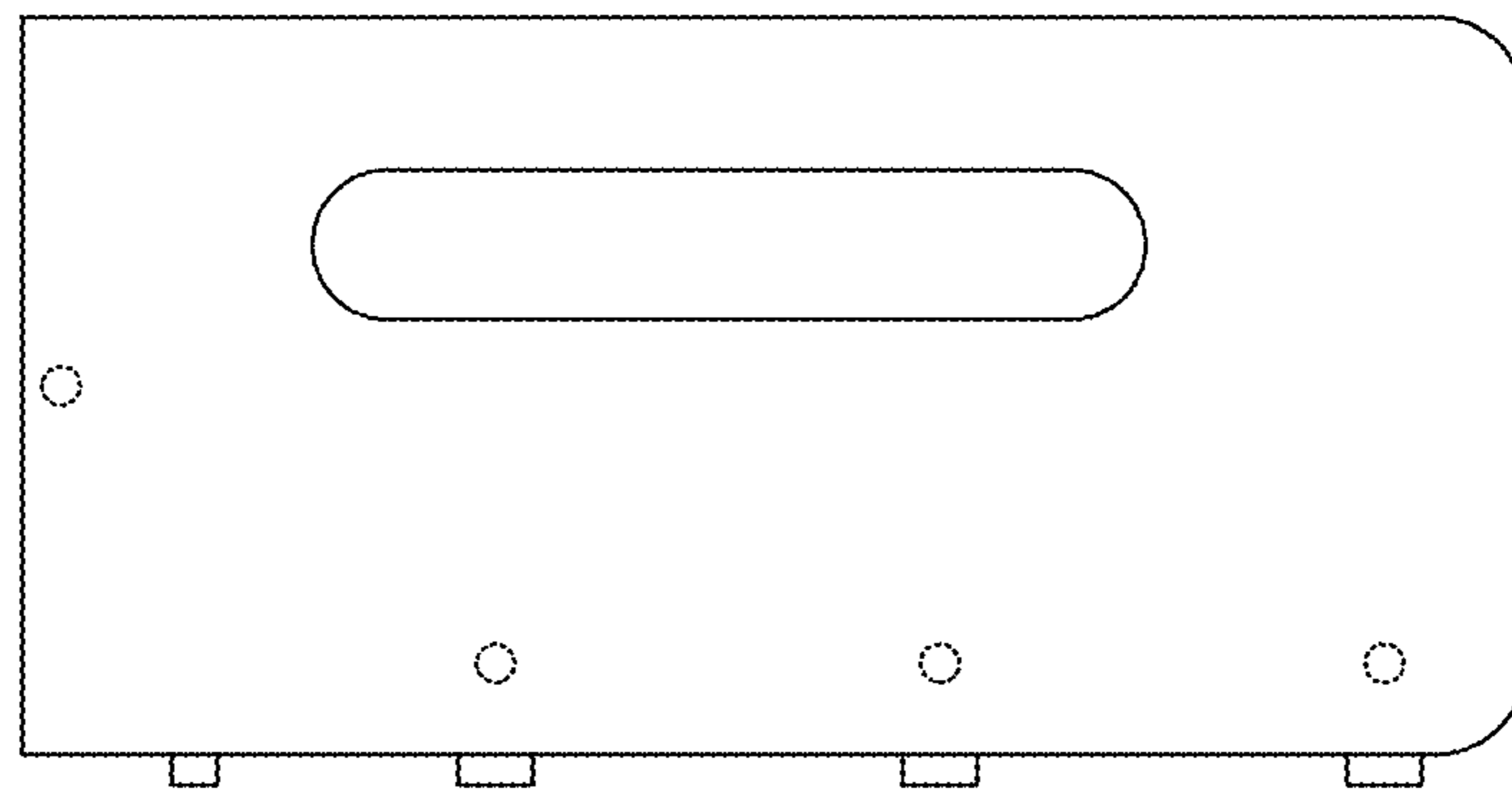


FIG. 4

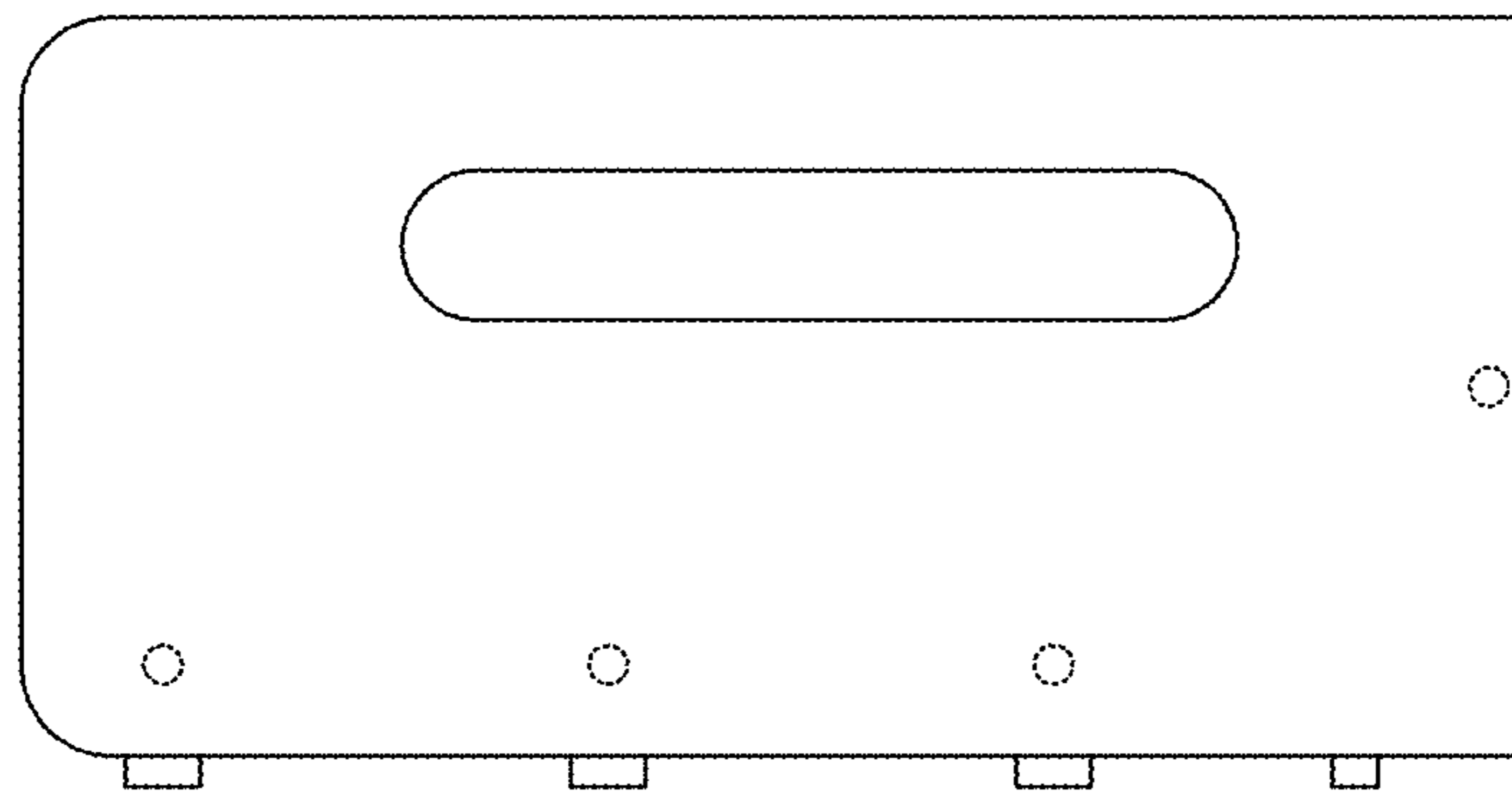


FIG. 5

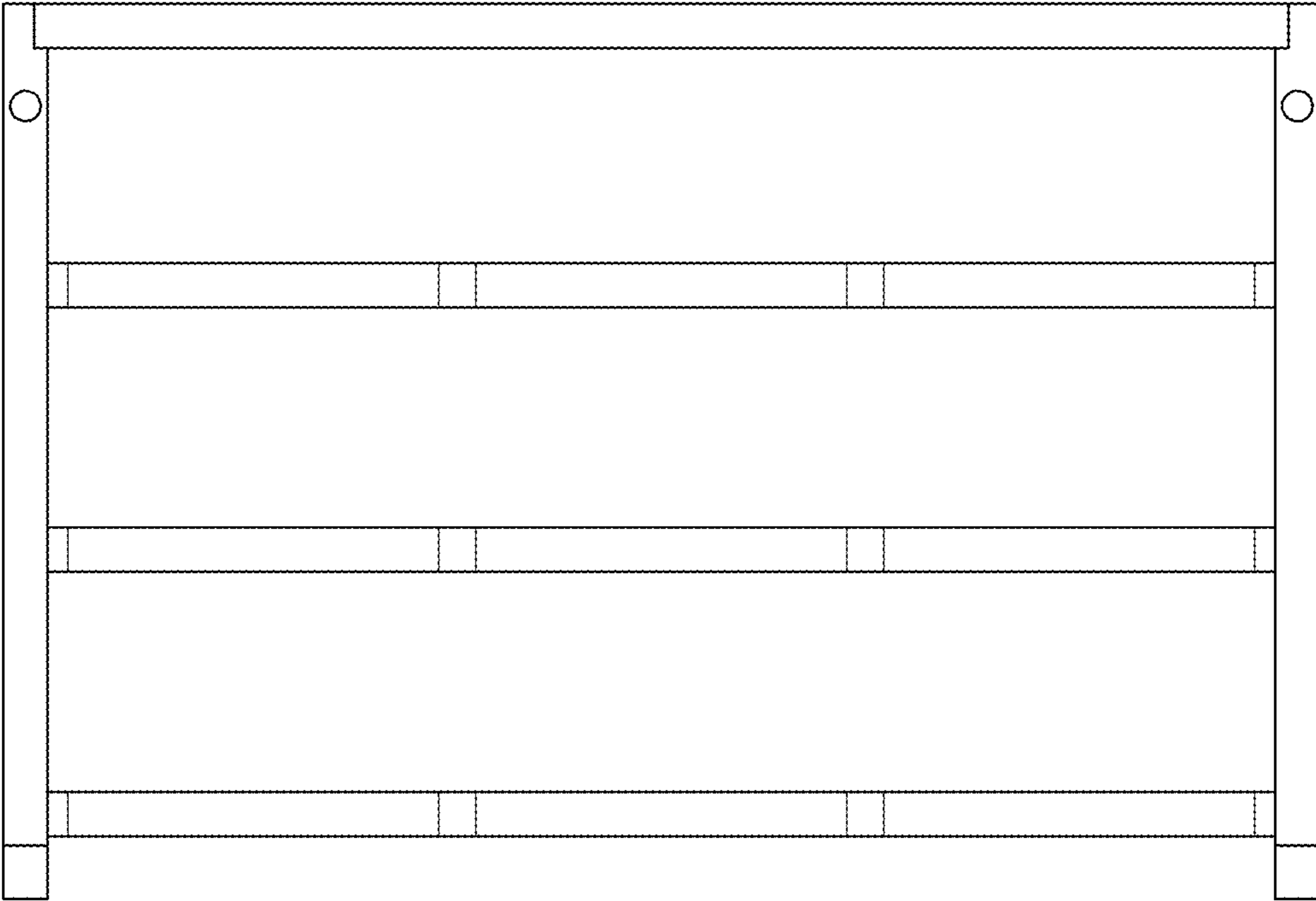


FIG. 6

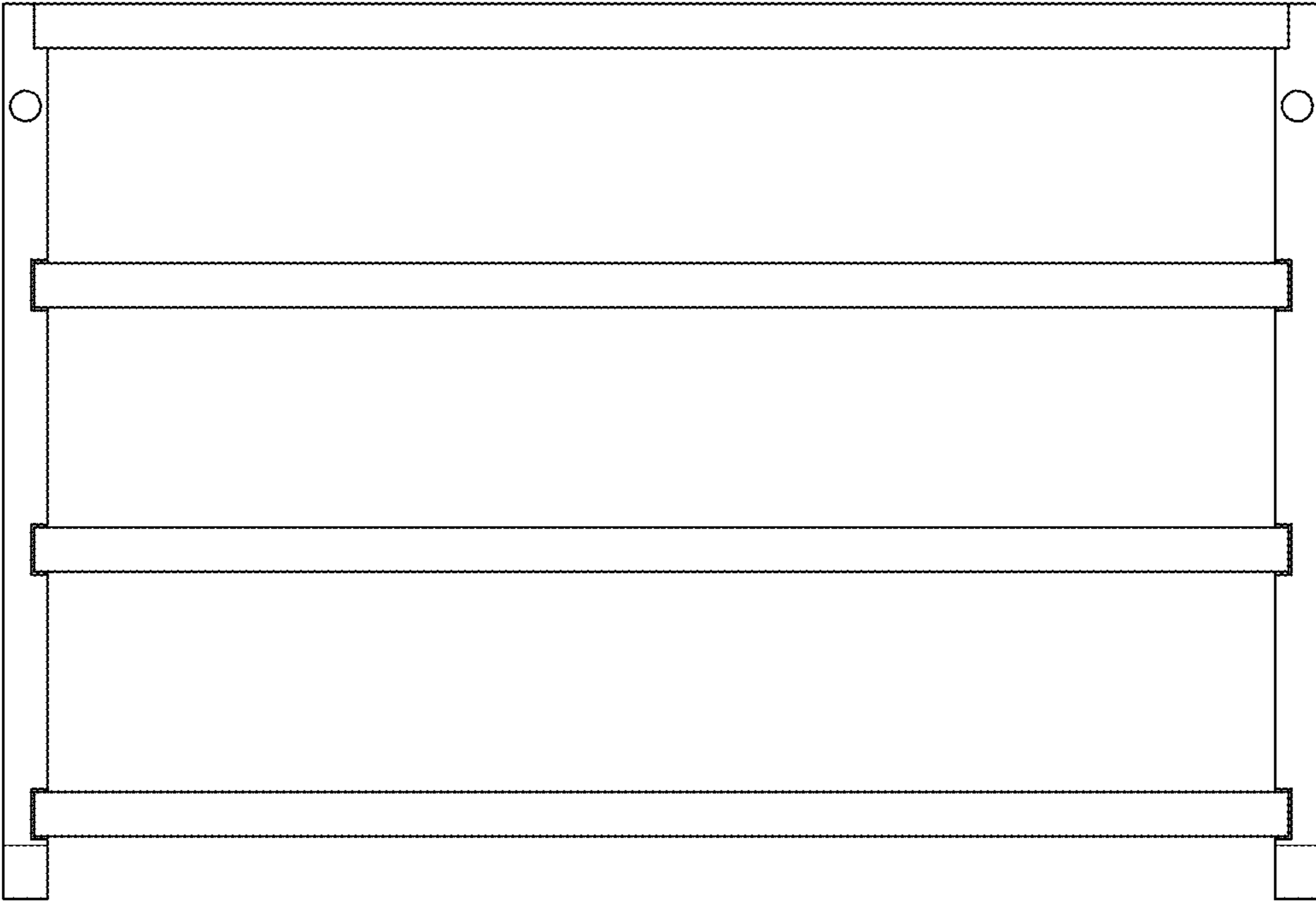


FIG. 7