



US00D974859S

(12) **United States Design Patent**  
**Lin**

(10) **Patent No.:** **US D974,859 S**

(45) **Date of Patent:** **\*\* Jan. 10, 2023**

(54) **OYSTER OPENER TOOL**

(71) Applicant: **Jin Lin**, Xiamen (CN)

(72) Inventor: **Jin Lin**, Xiamen (CN)

(\*\*) Term: **15 Years**

(21) Appl. No.: **29/775,737**

(22) Filed: **Mar. 25, 2021**

(51) **LOC (14) Cl.** ..... **07-04**

(52) **U.S. Cl.**  
USPC ..... **D7/693**

(58) **Field of Classification Search**  
USPC ..... D7/608-697, 368, 393, 395  
CPC ..... A47G 21/00; A47G 21/06; A47G 21/065;  
A47G 21/062; A47G 21/063; A47G  
21/067; A22C 29/04; A22C 29/043; A22C  
29/046; A22C 29/00; A22C 29/024-027  
See application file for complete search history.

(56) **References Cited**

**U.S. PATENT DOCUMENTS**

- 1,679,787 A \* 8/1928 Schermer ..... A47G 21/062  
452/16
- 2,520,790 A \* 8/1950 Wesik ..... A47G 21/062  
99/581
- 3,231,930 A \* 2/1966 Berry ..... A47G 21/062  
D7/693
- 3,811,153 A \* 5/1974 Rizzo ..... A47G 21/062  
452/16
- 4,393,546 A \* 7/1983 Ruiz ..... A47G 21/062  
452/16
- D342,870 S \* 1/1994 LeClair ..... D7/693
- D358,307 S \* 5/1995 Plamann ..... D7/693

- 5,482,500 A \* 1/1996 Boettner ..... A22C 29/046  
452/16
- D404,978 S \* 2/1999 Youngblood, Jr. .... D7/693
- 2015/0173378 A1 \* 6/2015 Payne ..... A47G 21/062  
452/16

**OTHER PUBLICATIONS**

Amazon.com, Biuwing Oyster Shucker Machine, Oyster Clam Opener Tool Set, ASIN: B099K67L4F, 9 pages, date first available Jul. 15, 2021 (Year: 2021).\*

Amazon.com, Panghuhu88 Oyster Shucker Machine, Oyster Shucker Tool Set, ASIN: B08H82WC32, 10pages, date first available Sep. 2, 2020 (Year: 2020).\*

\* cited by examiner

*Primary Examiner* — Terry A Wallace  
(74) *Attorney, Agent, or Firm* — Bayramoglu Law Offices LLC

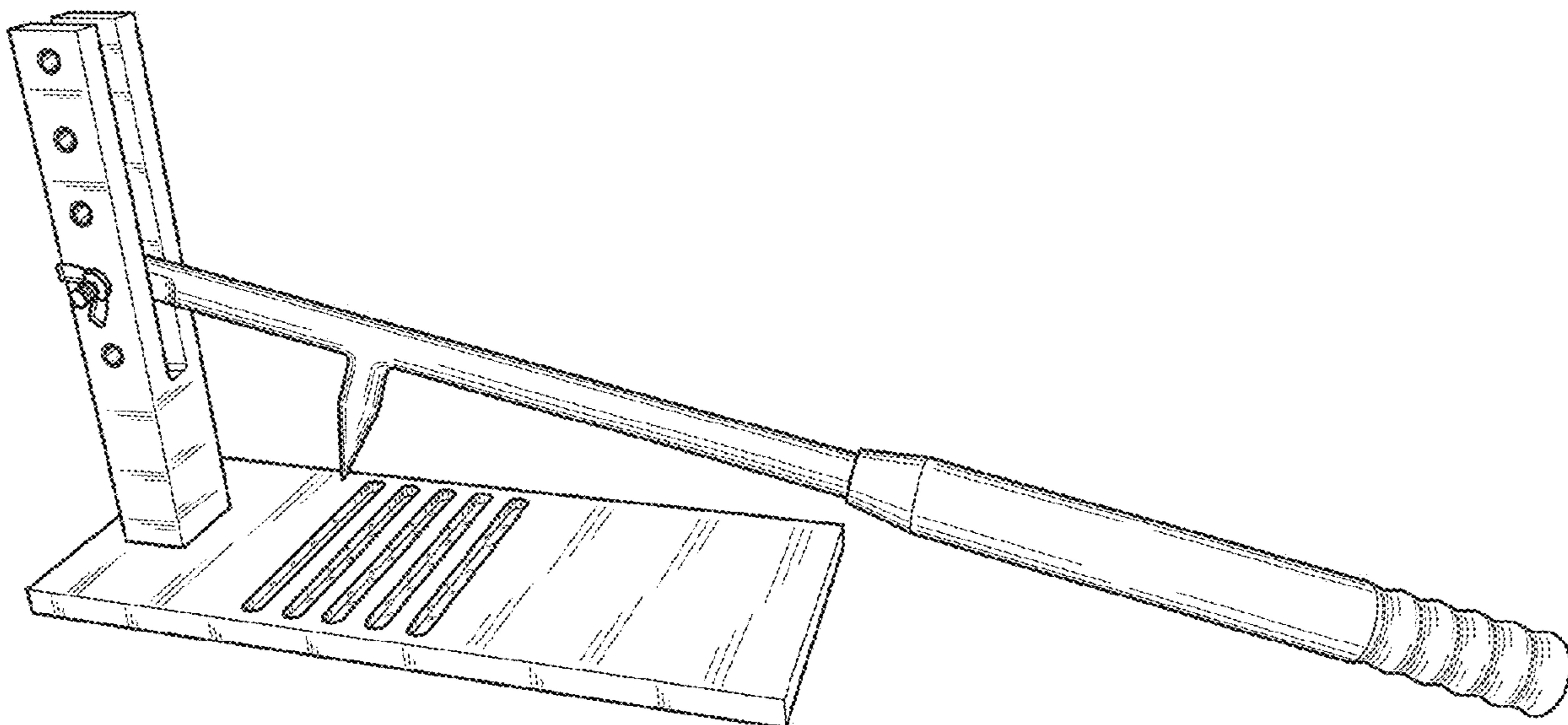
(57) **CLAIM**

The ornamental design for an oyster opener tool, as shown and described.

**DESCRIPTION**

FIG. 1 is a front, right and top perspective view of an oyster opener tool showing my new design;  
FIG. 2 is a front view thereof;  
FIG. 3 is a rear view thereof;  
FIG. 4 is a right side view thereof;  
FIG. 5 is a left side view thereof;  
FIG. 6 is a top view thereof;  
FIG. 7 is a bottom view thereof; and,  
FIG. 8 is a rear, left and bottom perspective view thereof.

**1 Claim, 8 Drawing Sheets**



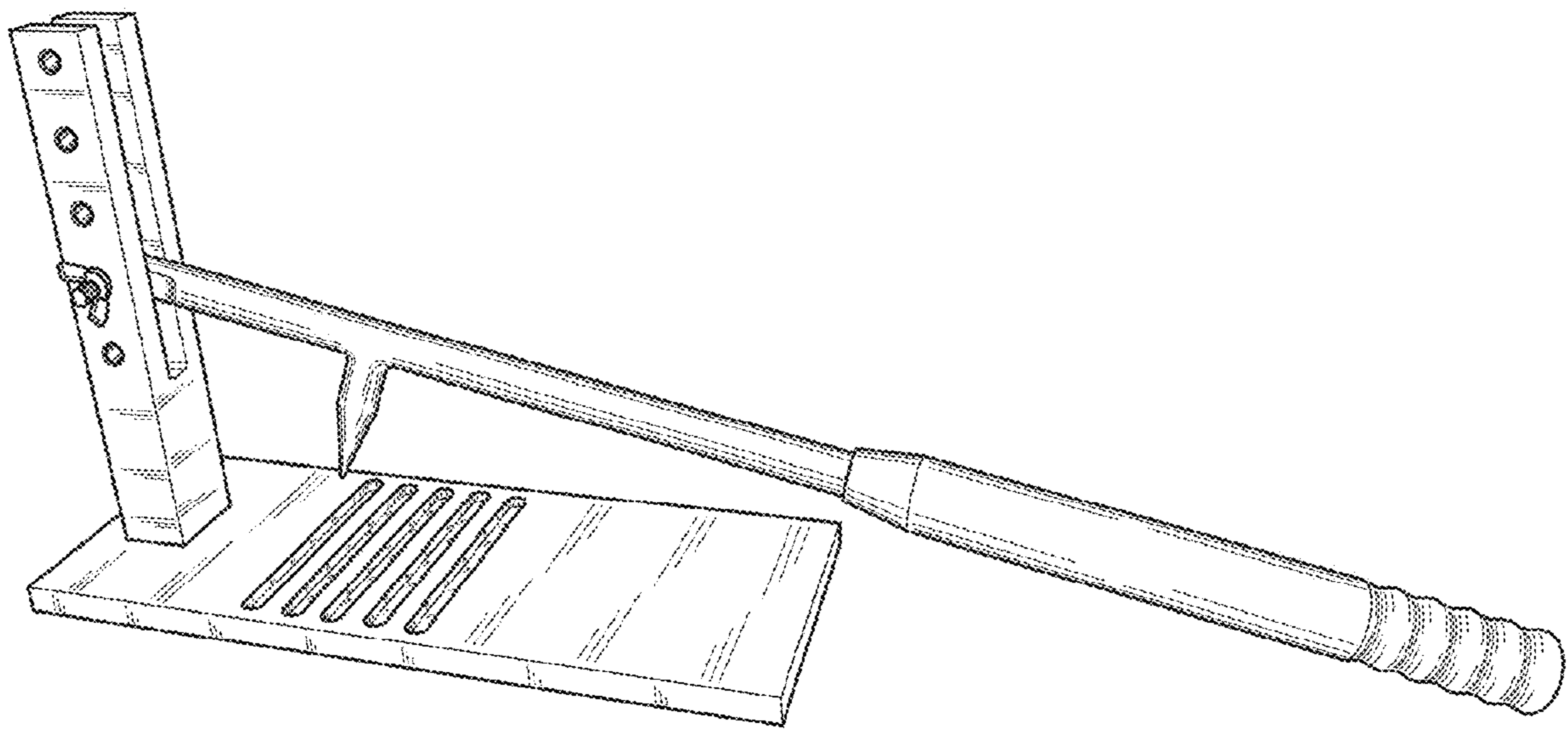


Fig. 1

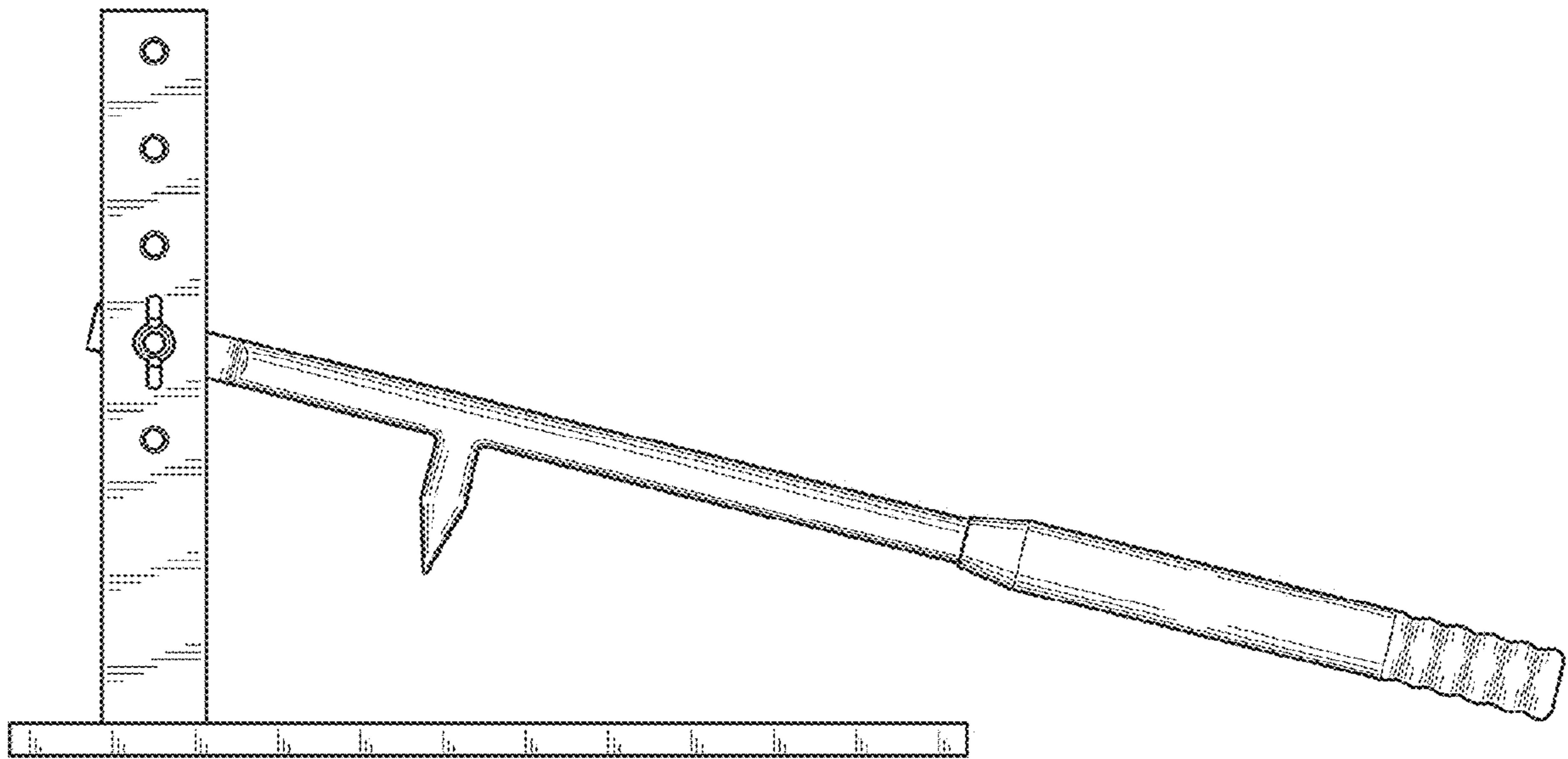


Fig. 2

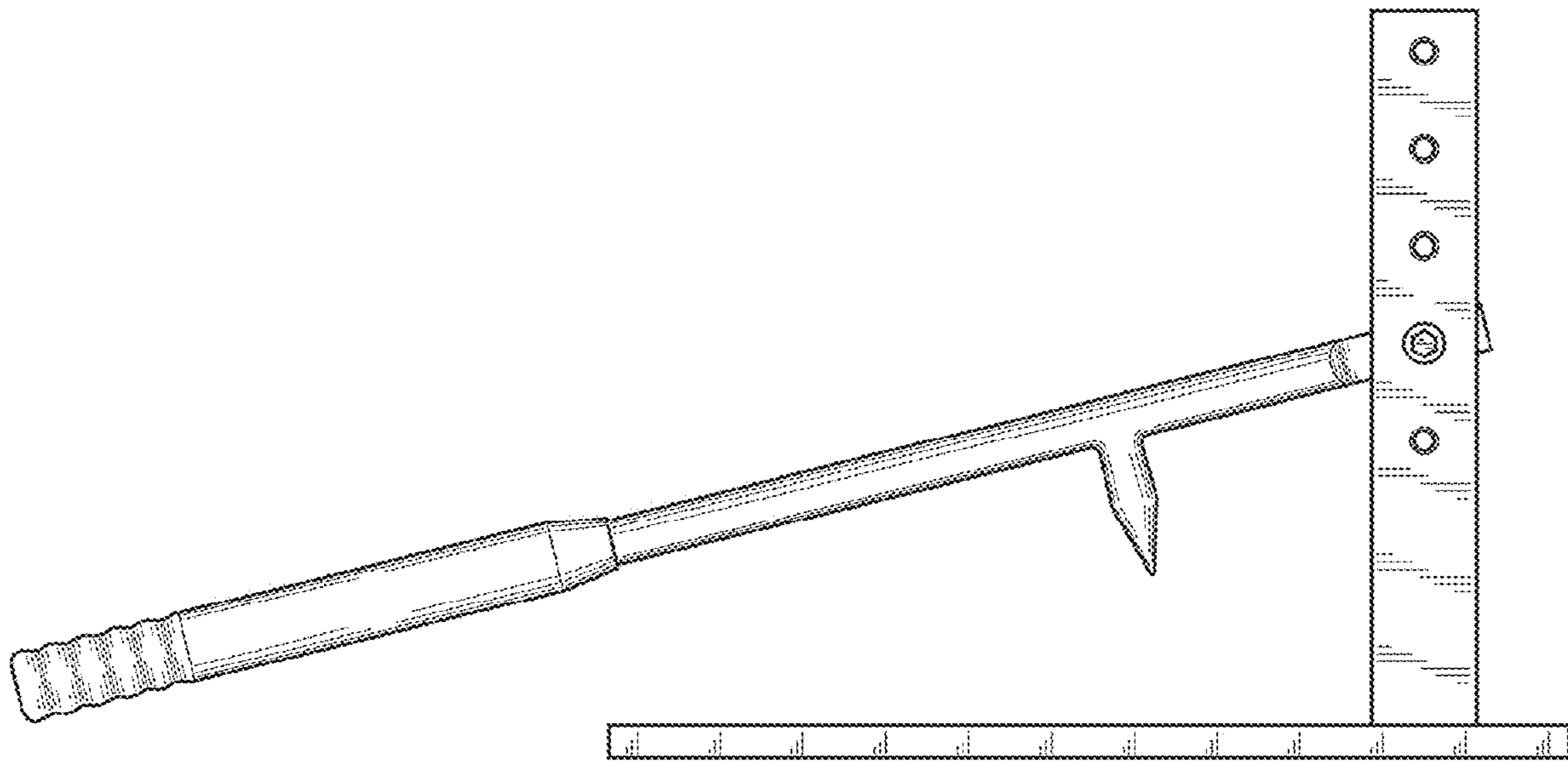


Fig. 3

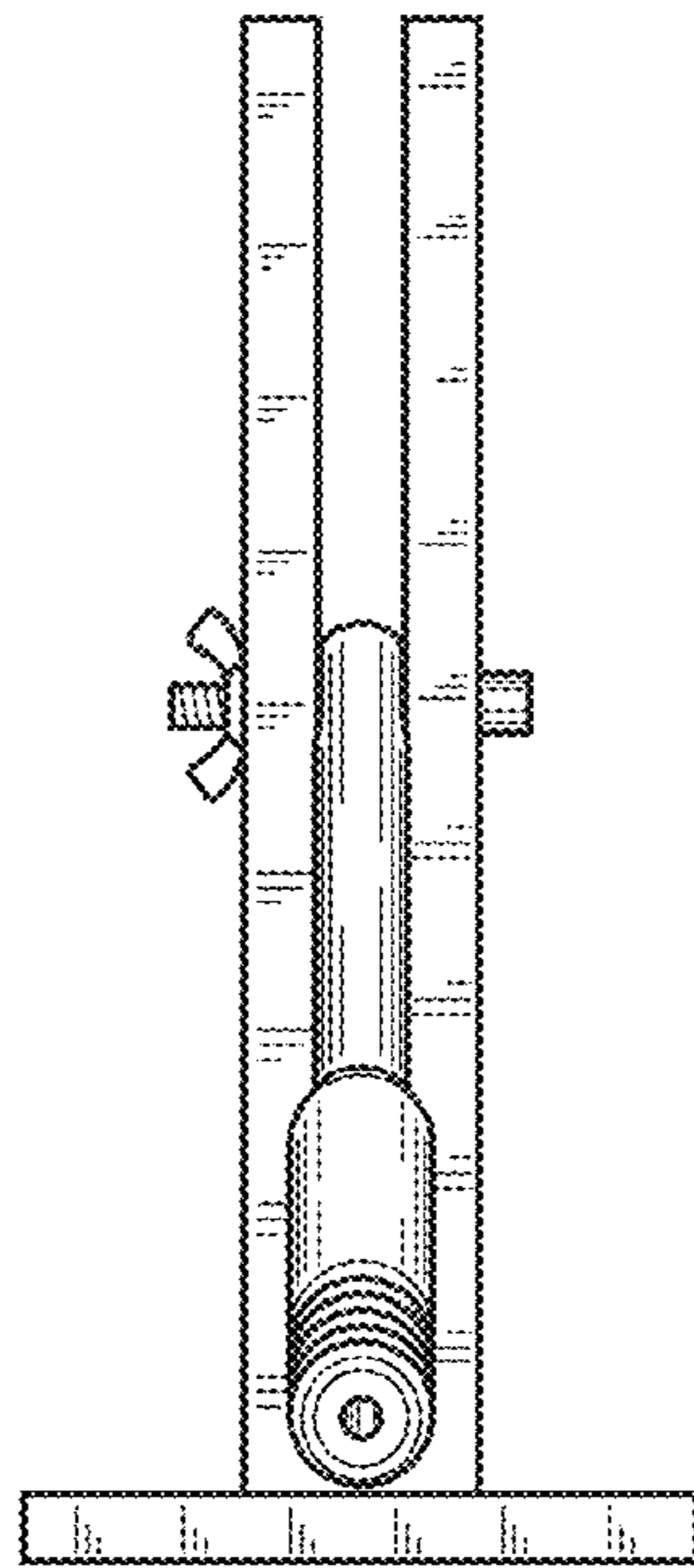


Fig. 4

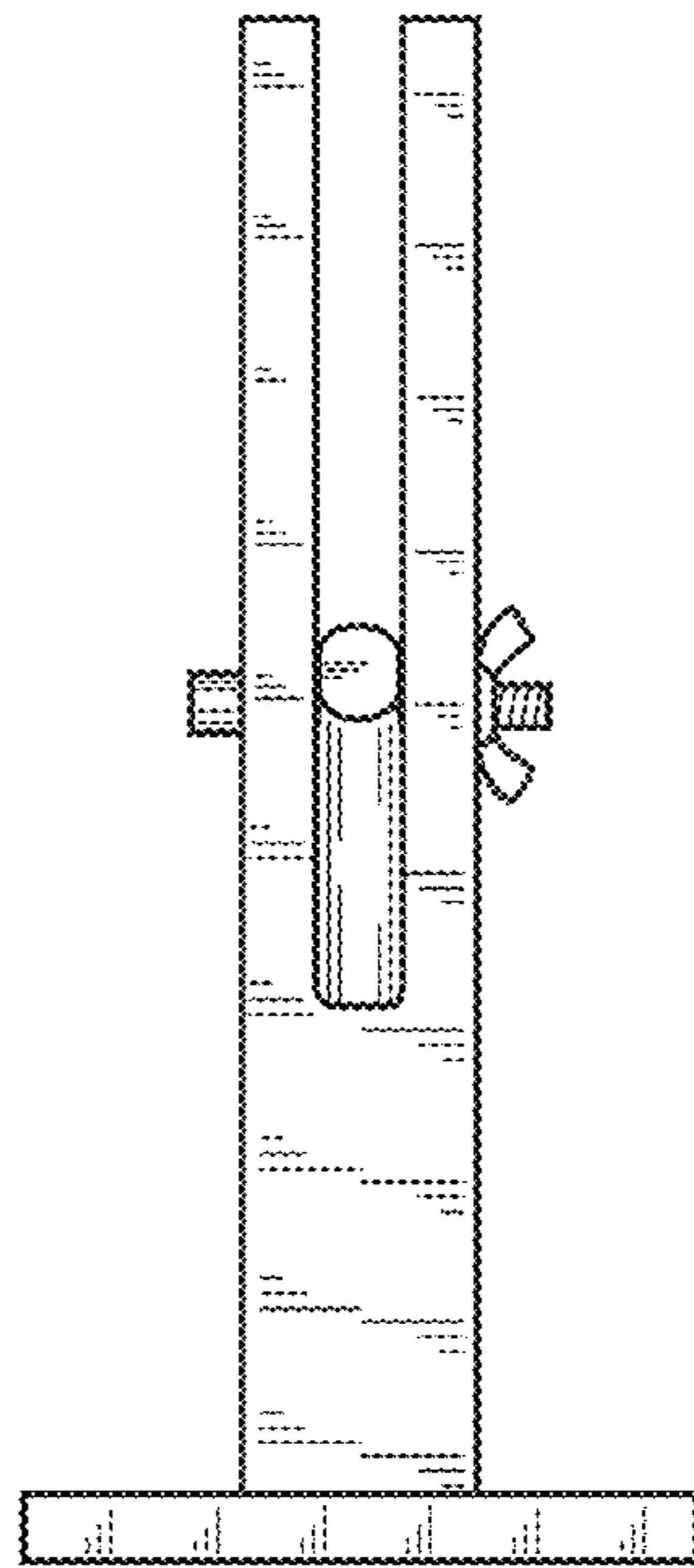


Fig. 5

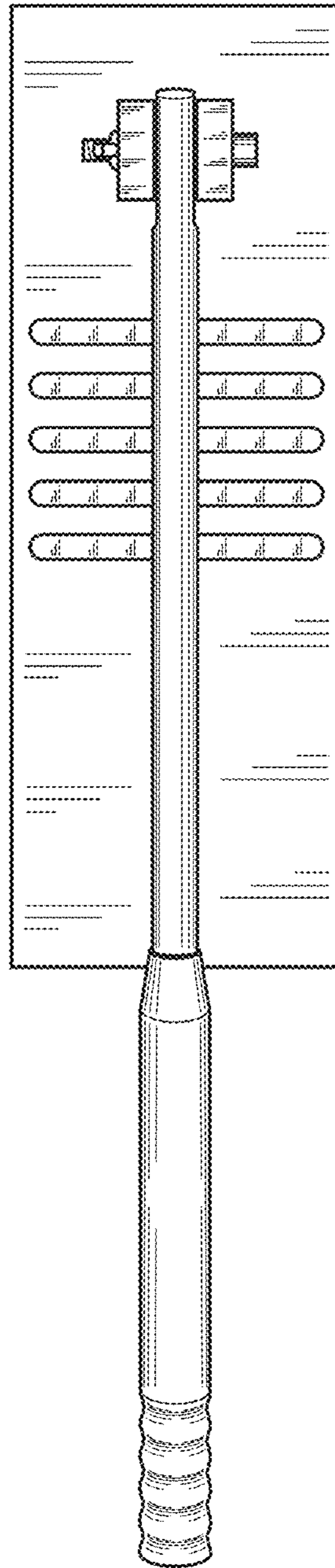


Fig. 6

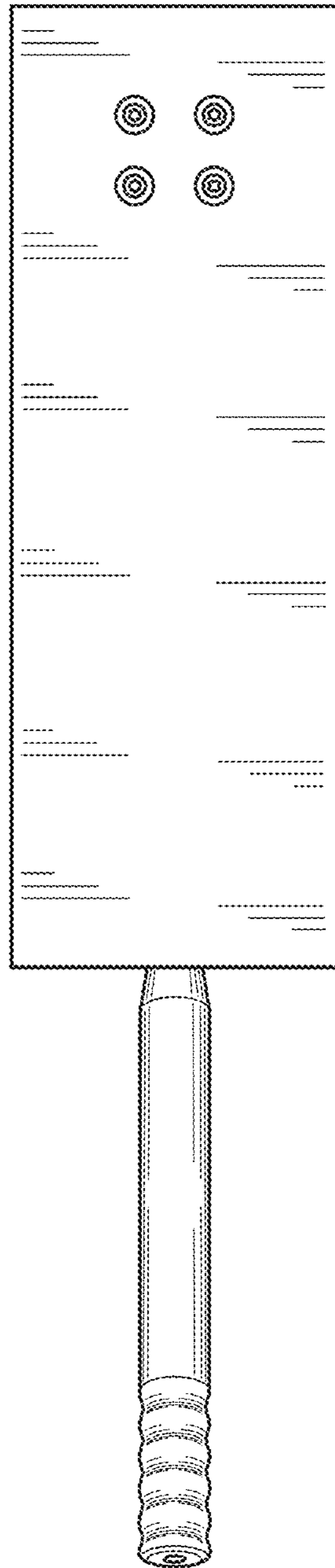


Fig. 7



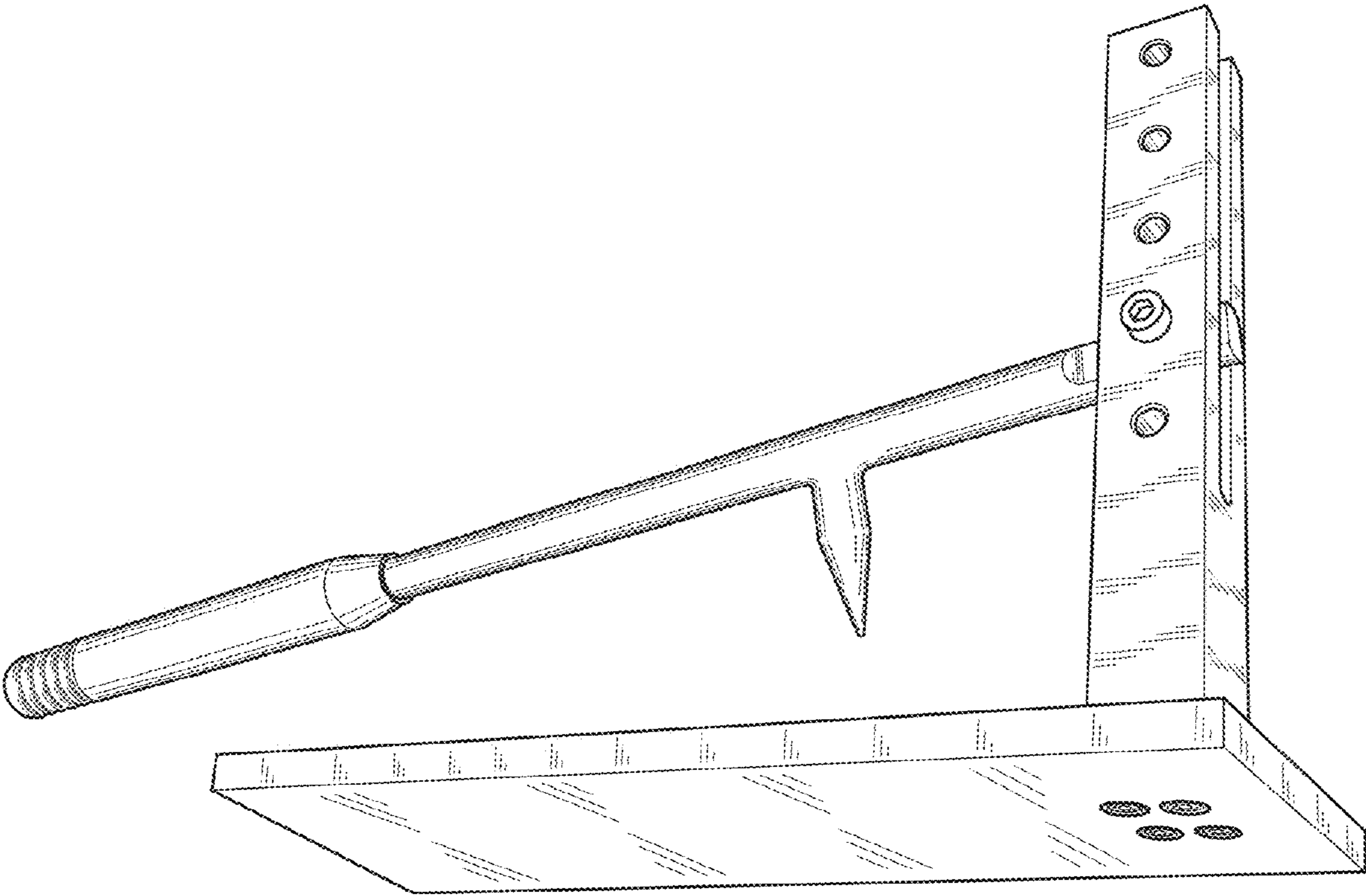


Fig. 8