



US00D974858S

(12) **United States Design Patent**
Xin et al.

(10) **Patent No.:** **US D974,858 S**

(45) **Date of Patent:** **** Jan. 10, 2023**

(54) **LEAF STRIPPER**
(71) Applicant: **Peiyang Xin**, Fuzhou (CN)
(72) Inventors: **Peiyang Xin**, Fuzhou (CN); **Yamin Pan**, Fuzhou (CN)
(73) Assignee: **Peiyang Xin**, Fuzhou (CN)
(**) Term: **15 Years**

D358,081 S * 5/1995 Tallon A01G 5/00
D8/19
D360,117 S * 7/1995 Mobile B23D 63/18
D8/17
D435,409 S * 12/2000 Roberts D8/17
D468,977 S * 1/2003 Graff D8/19
D473,766 S * 4/2003 Williams D8/21
D603,230 S * 11/2009 DeBow D8/17
D681,081 S * 4/2013 Neal, Jr. D15/139
D706,589 S * 6/2014 Seo D7/693

(Continued)

(21) Appl. No.: **29/773,513**

(22) Filed: **Mar. 10, 2021**

(30) **Foreign Application Priority Data**

Dec. 29, 2020 (CN) 202030814537.8

(51) **LOC (14) Cl.** **07-06**

(52) **U.S. Cl.**
USPC **D7/693**

(58) **Field of Classification Search**
USPC D8/1, 14-16, 17, 19, 21-29, 61, 73, 105,
D8/107, 366, 371, 372, 382, 384, 385,
D8/388, 389, 499; D7/693
CPC A01G 2005/005; A47J 17/00
See application file for complete search history.

(56) **References Cited**

U.S. PATENT DOCUMENTS

D28,380 S * 3/1898 Stortz D8/17
D46,202 S * 8/1914 Danzer D8/499
D137,168 S * 2/1944 Jacobson D15/126
D214,635 S * 7/1969 Reed D8/19
D257,383 S * 10/1980 Davenport D8/19
D260,758 S * 9/1981 Borugian D8/371
D285,948 S * 9/1986 Mazzoleni D21/486
D289,005 S * 3/1987 Babb D8/56
5,044,115 A * 9/1991 Richardson A01G 5/00
47/1.01 R
5,138,908 A * 8/1992 Raetz B23D 63/18
76/104.1

OTHER PUBLICATIONS

Herb Stripper Kale Razor Gadget Leaf Stripper Remover, Chard, Collard Greens, Parsley, Basil, Rosemary Herb, Taragon, Thyme , Best Herb Stripping Tool; Amazon.com; Oct. 30, 2020; Accessed Jun. 9, 2022; URL:< https://www.amazon.com/Stainless-Steel-Leaf-Herb-Stripper/dp/B08MBGQVM8 > (Year: 2020).*

(Continued)

Primary Examiner — Rachel A. Voorhies
Assistant Examiner — Benjamin D. Wannemacher
(74) *Attorney, Agent, or Firm* — Bayramoglu Law Offices LLC

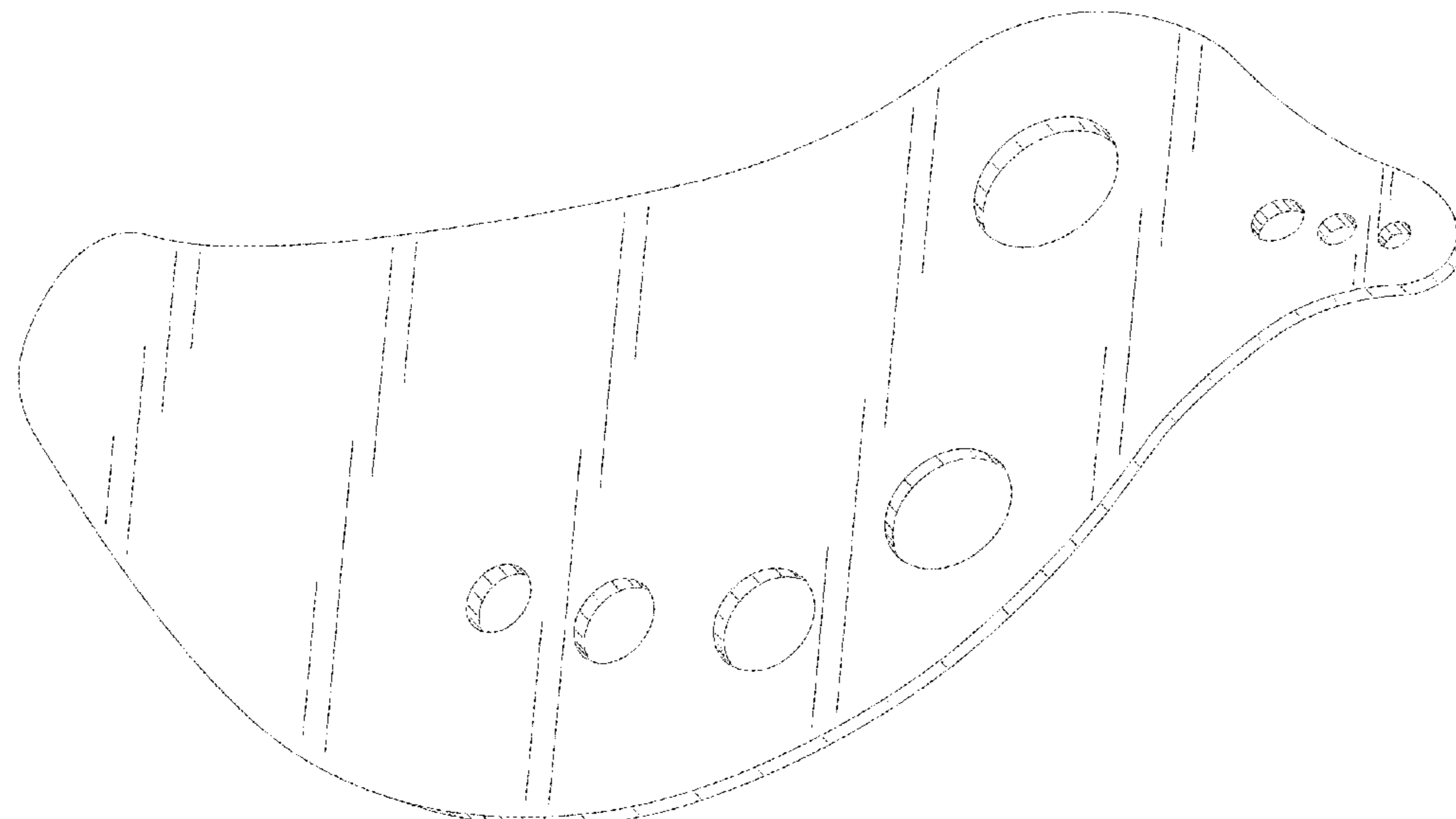
(57) **CLAIM**

The ornamental design for a leaf stripper, as shown and described.

DESCRIPTION

FIG. 1 is a perspective view of a leaf stripper showing our new design;
FIG. 2 is a front view thereof;
FIG. 3 is a rear view thereof;
FIG. 4 is a right side view thereof;
FIG. 5 is a left side view thereof;
FIG. 6 is a top view thereof; and,
FIG. 7 is a bottom view thereof.

1 Claim, 7 Drawing Sheets



(56)

References Cited

U.S. PATENT DOCUMENTS

D776,991 S * 1/2017 Ryun D7/693
D828,123 S * 9/2018 Stewart D7/693
D838,148 S * 1/2019 Umholtz A47J 17/00
D7/693
D941,634 S * 1/2022 Morgan D7/586
D943,362 S * 2/2022 Pawluskiewicz D7/669
2016/0129600 A1* 5/2016 Ryun B26B 11/00
30/123
2018/0194020 A1* 7/2018 Waymire A47J 17/00

OTHER PUBLICATIONS

Best Herb Strippers; Clarke, Owen; CleanEatingMag.com; Jul. 29, 2020; Accessed Jun. 8, 2022; URL:< <https://www.cleaneatingmag.com/osp/best-herb-strippers/> > (Year: 2020).*

Herb Stripper Tool for Thyme Rosemary kale leaf stripper Steel Kitchen Leaf Stripping Tool; Amazon.com; Nov. 12, 2020; Accessed Jun. 9, 2022; URL:< <https://www.amazon.com/Stripper-Rosemary-Butter-cooking-Seasoning/dp/B08NCCWYHK/> > (Year : 2020).*

* cited by examiner

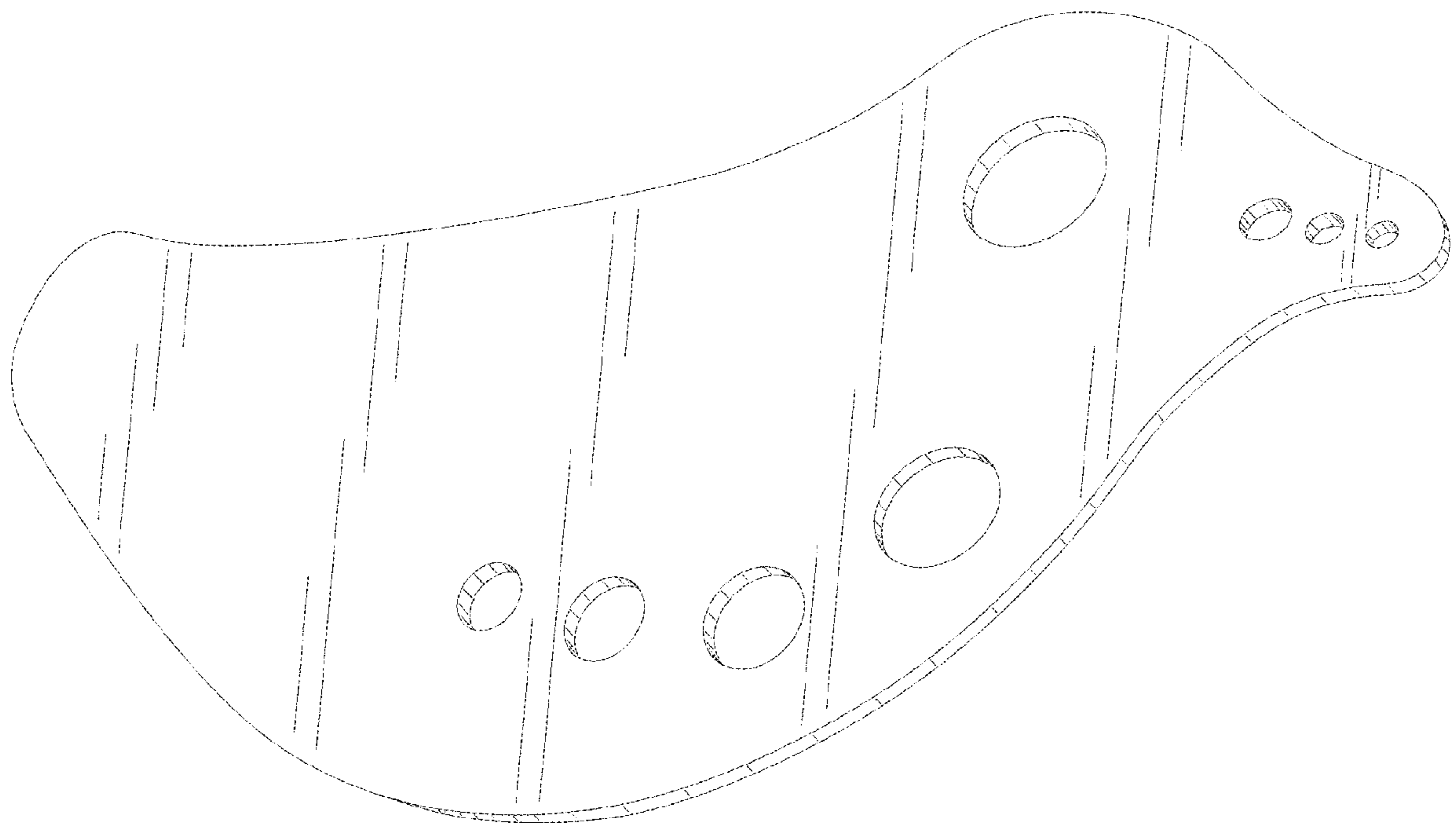


FIG. 1

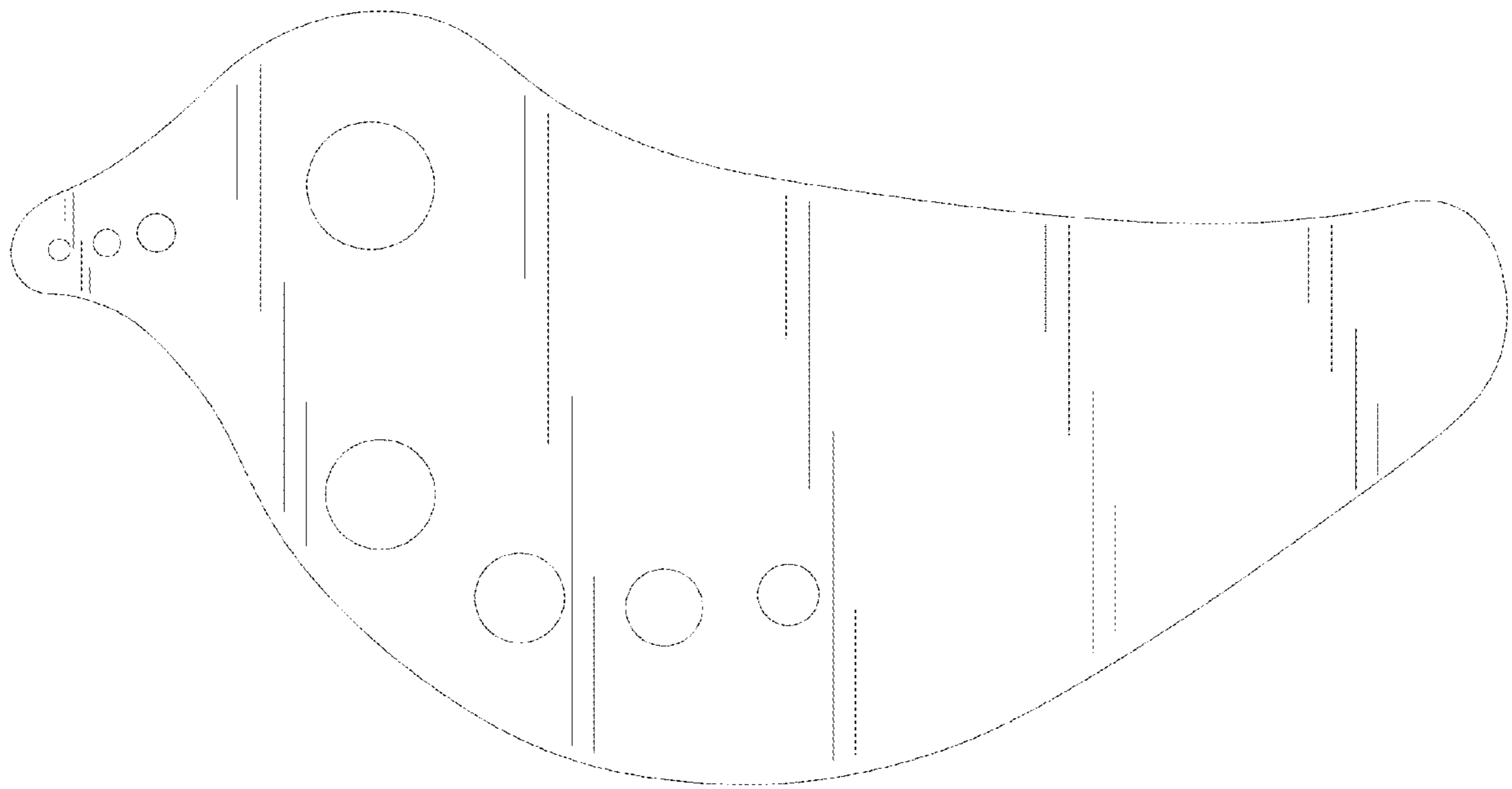


FIG. 2

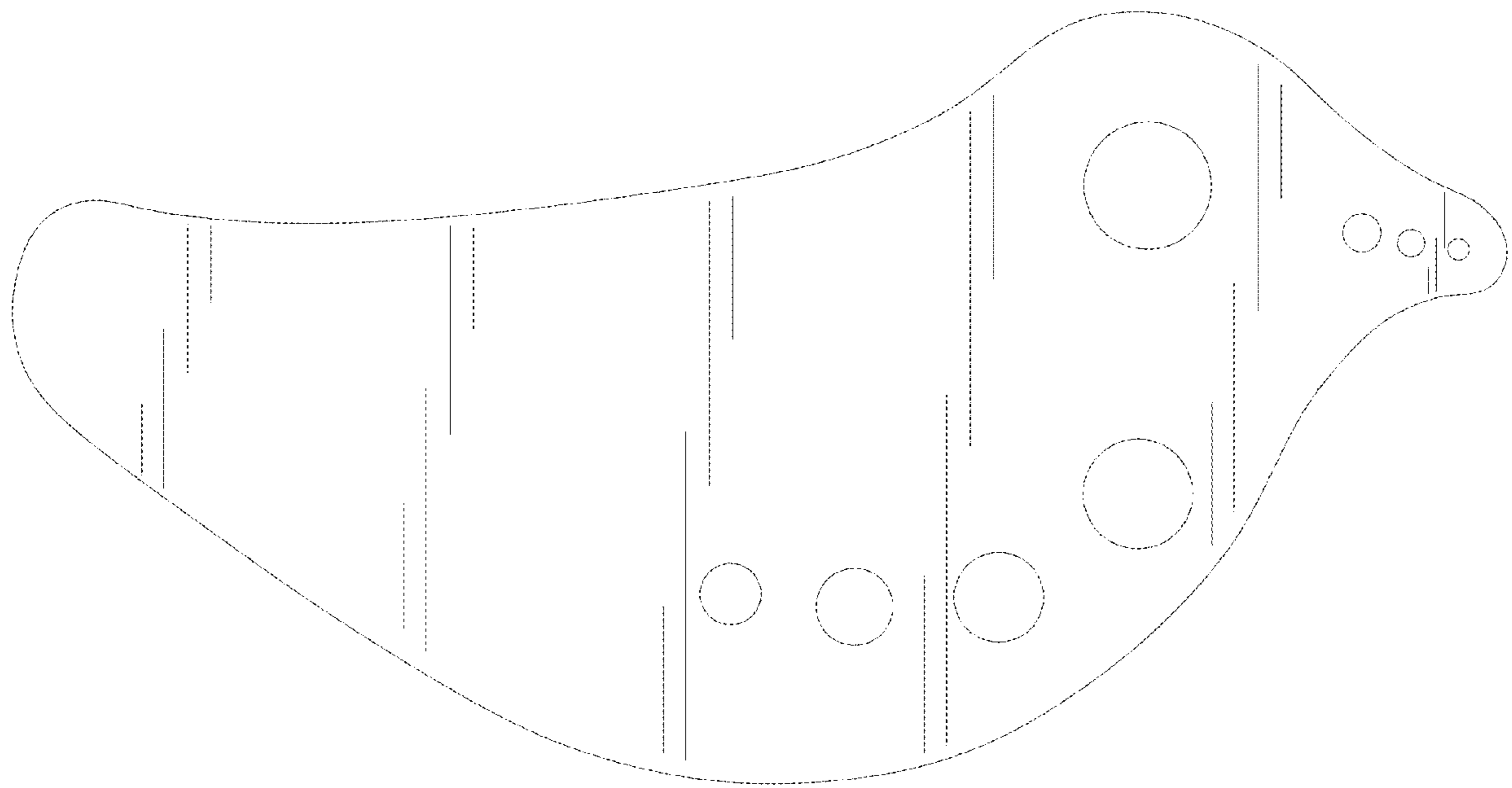


FIG. 3



FIG. 4

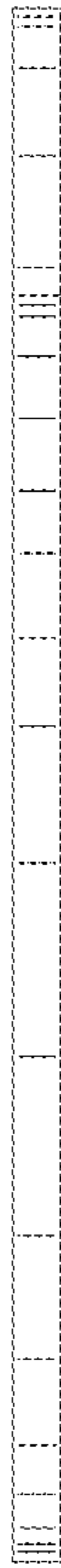


FIG. 5

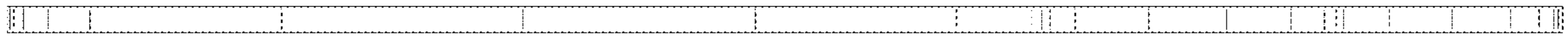


FIG. 6

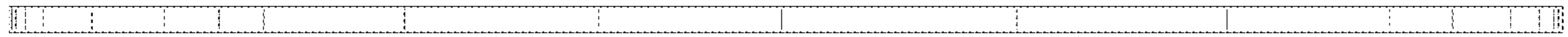


FIG. 7