



US00D974857S

(12) **United States Design Patent**
Kiyokawa

(10) **Patent No.:** **US D974,857 S**
(45) **Date of Patent:** **** Jan. 10, 2023**

(54) **RICE MOLD**

(71) Applicant: **Pork Tamago Onigiri Honten Co., Ltd.**, Okinawa (JP)

(72) Inventor: **Katsuaki Kiyokawa**, Okinawa (JP)

(73) Assignee: **POTAMA CO., LTD.**, Okinawa (JP)

(**) Term: **15 Years**

(21) Appl. No.: **29/760,361**

(22) Filed: **Dec. 1, 2020**

(30) **Foreign Application Priority Data**

Jun. 10, 2020 (JP) 2020-011483 D

(51) **LOC (14) Cl.** **07-04**

(52) **U.S. Cl.**
USPC **D7/672**

(58) **Field of Classification Search**
USPC D7/352, 354, 362-364, 367, 368, 502,
D7/538, 543, 545, 547, 550.1, 553.1,
D7/553.2, 554.3, 601, 602, 669, 672-678,
D7/693, 696; D6/300; D24/225
CPC . A23P 20/20; A23P 30/10; A47J 9/007; A47J
43/20
See application file for complete search history.

(56) **References Cited**

U.S. PATENT DOCUMENTS

- D343,551 S * 1/1994 Guajardo A47J 43/288
D7/672
- 5,399,082 A * 3/1995 Shimizu A47J 43/20
425/408
- D473,318 S * 4/2003 Barbera-Guillem D24/216
- D618,048 S * 6/2010 Leandro A23P 30/10
D7/672
- D642,009 S * 7/2011 Renner A23L 7/117
D7/672

- D903,767 S * 12/2020 Borell D20/42
- D929,195 S * 8/2021 Kiyokawa D7/672
- D940,470 S * 1/2022 Svihilik D6/300
- 2006/0185176 A1 * 8/2006 Baeten B26B 27/002
30/308

(Continued)

OTHER PUBLICATIONS

Design No. 2017045-0001, Nov. 9, 2020—Intellectual Property Department (HK) Publication Date—Jan. 29, 2021 Owner—Pork Tamago Onigiri Honten Co Ltd DesignView, available at www.tmdn.org/tmdsview-web/welcome (Year: 2021).*

(Continued)

Primary Examiner — Mary Ann Calabrese

Assistant Examiner — Natalya M Rapundalo

(74) *Attorney, Agent, or Firm* — Lucas & Mercanti, LLP

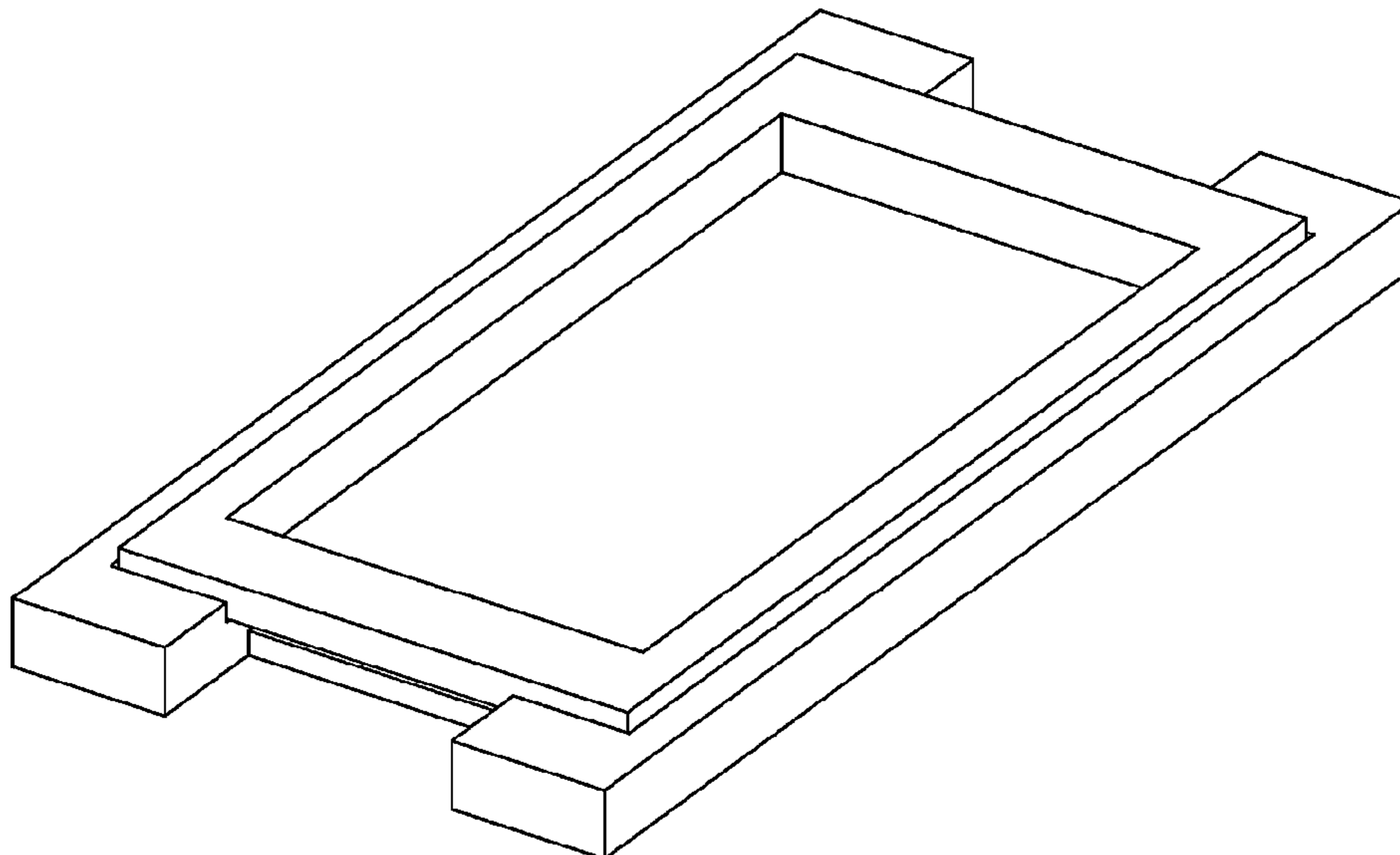
(57) **CLAIM**

The ornamental design for a rice mold, as shown and described.

DESCRIPTION

FIG. 1 is a perspective view of a rice mold;
 FIG. 2 is a front view of the rice mold of FIG. 1, a back view being a mirror image thereof;
 FIG. 3 is a right side view of the rice mold of FIG. 1, a left side view being a mirror image thereof;
 FIG. 4 is a top view of the rice mold of FIG. 1;
 FIG. 5 is a bottom view of the rice mold of FIG. 1;
 FIG. 6 is a cross-sectional view thereof, taken along line 6-6 in FIG. 2;
 FIG. 7 is a cross-sectional view thereof, taken along line 7-7 in FIG. 3;
 FIG. 8 is an exploded perspective view of the rice mold of FIG. 1, showing an inner mold frame and an outer base plate; and,
 FIG. 9 is a bottom view of the inner mold frame of FIG. 8.

1 Claim, 9 Drawing Sheets



(56)

References Cited

U.S. PATENT DOCUMENTS

2008/0202353 A1* 8/2008 Hosogane A23P 30/10
99/450.2
2017/0020164 A1* 1/2017 Sekimori A23L 7/117
2021/0401028 A1* 12/2021 Kiyokawa A47J 43/288

OTHER PUBLICATIONS

Non Stick Musubi Maker Press, first available Apr. 27, 2021, Amazon, [online], [site visited May 26, 2022], Available from internet URL: <https://www.amazon.com/Stick-Musubi-Onigiri-Luncheon-Paddle/dp/B093LR2958/> (Year: 2021).*

* cited by examiner

Fig. 1

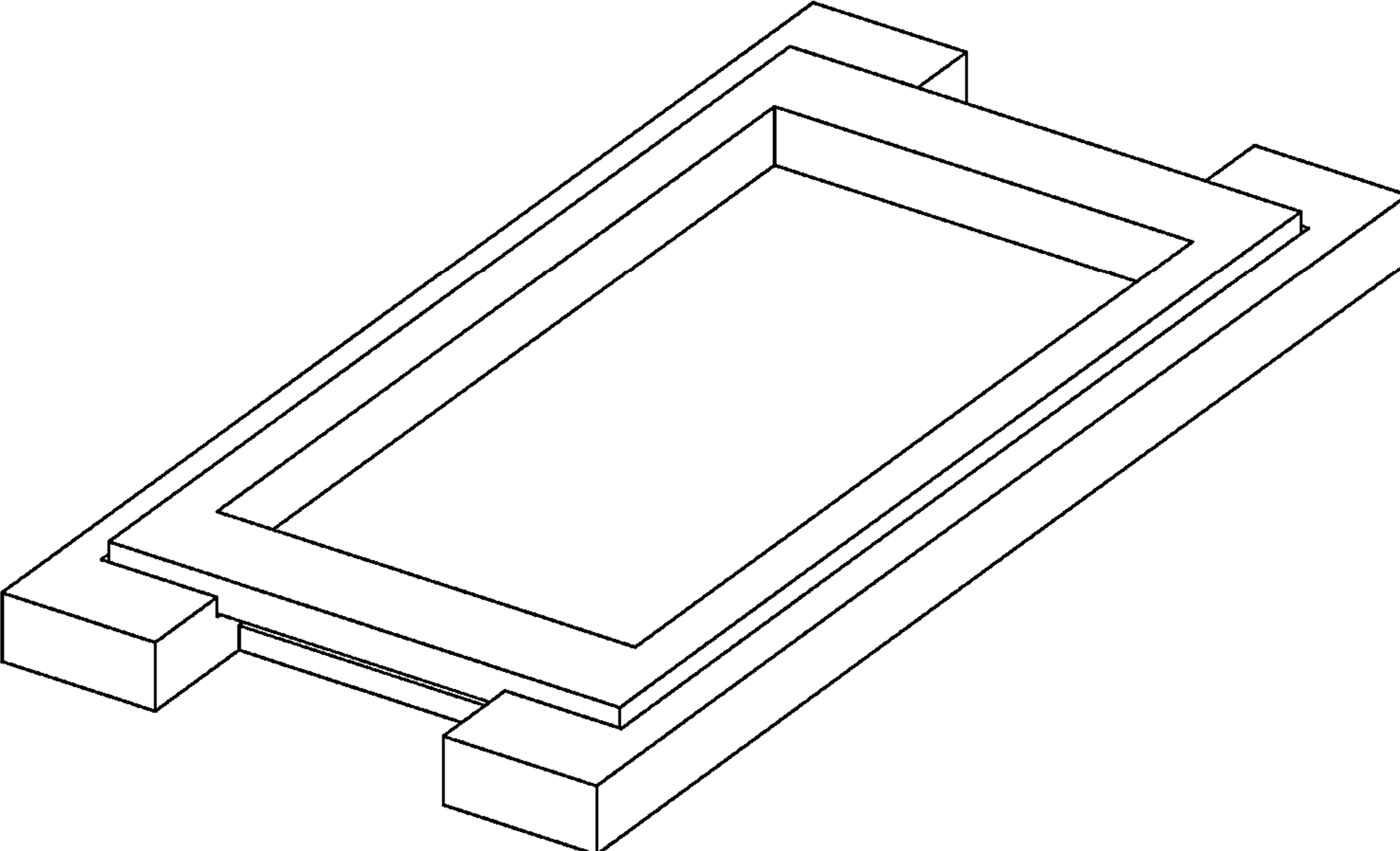


Fig. 2

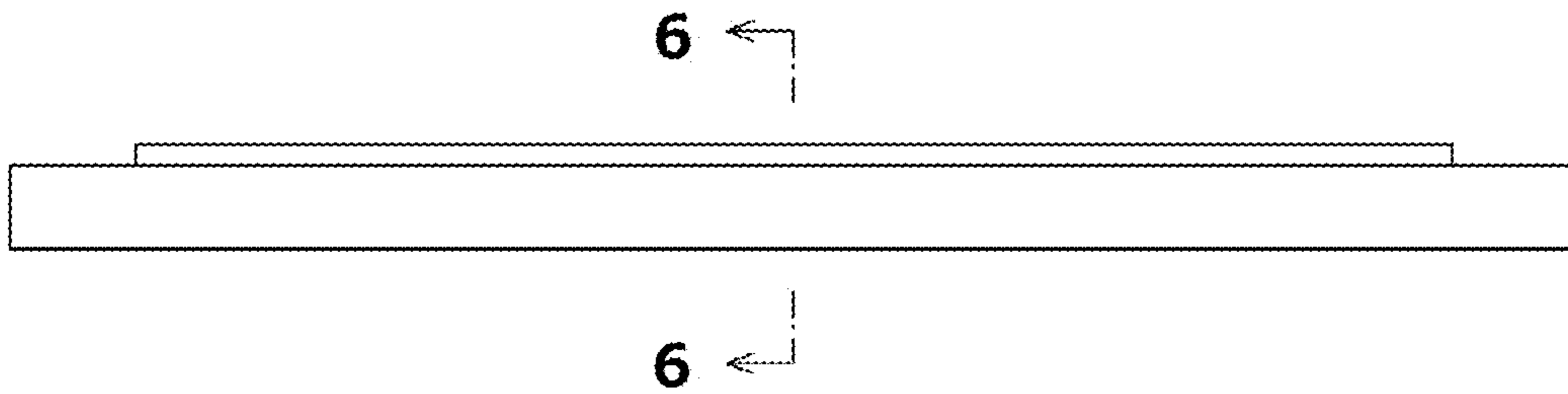


Fig. 3

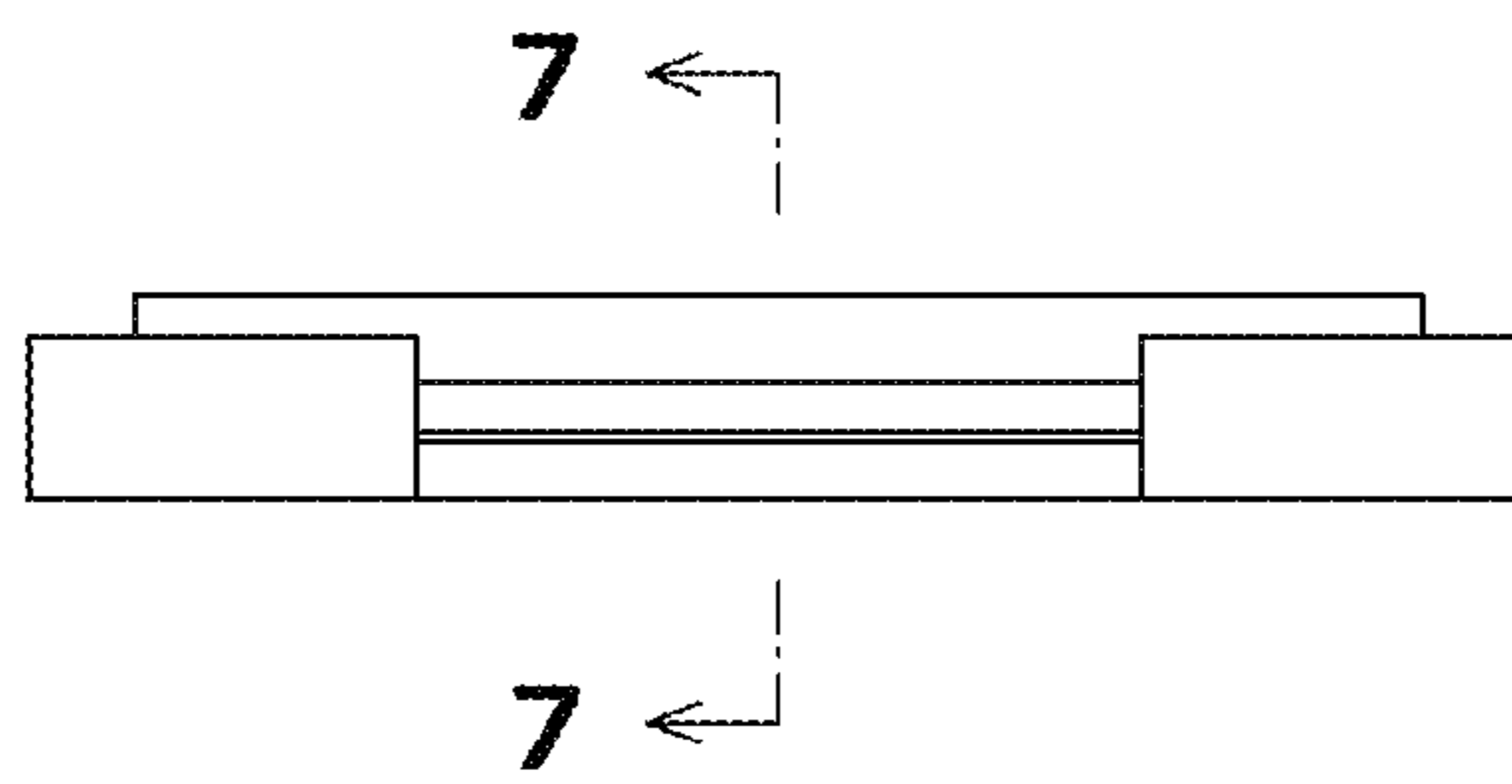


Fig. 4

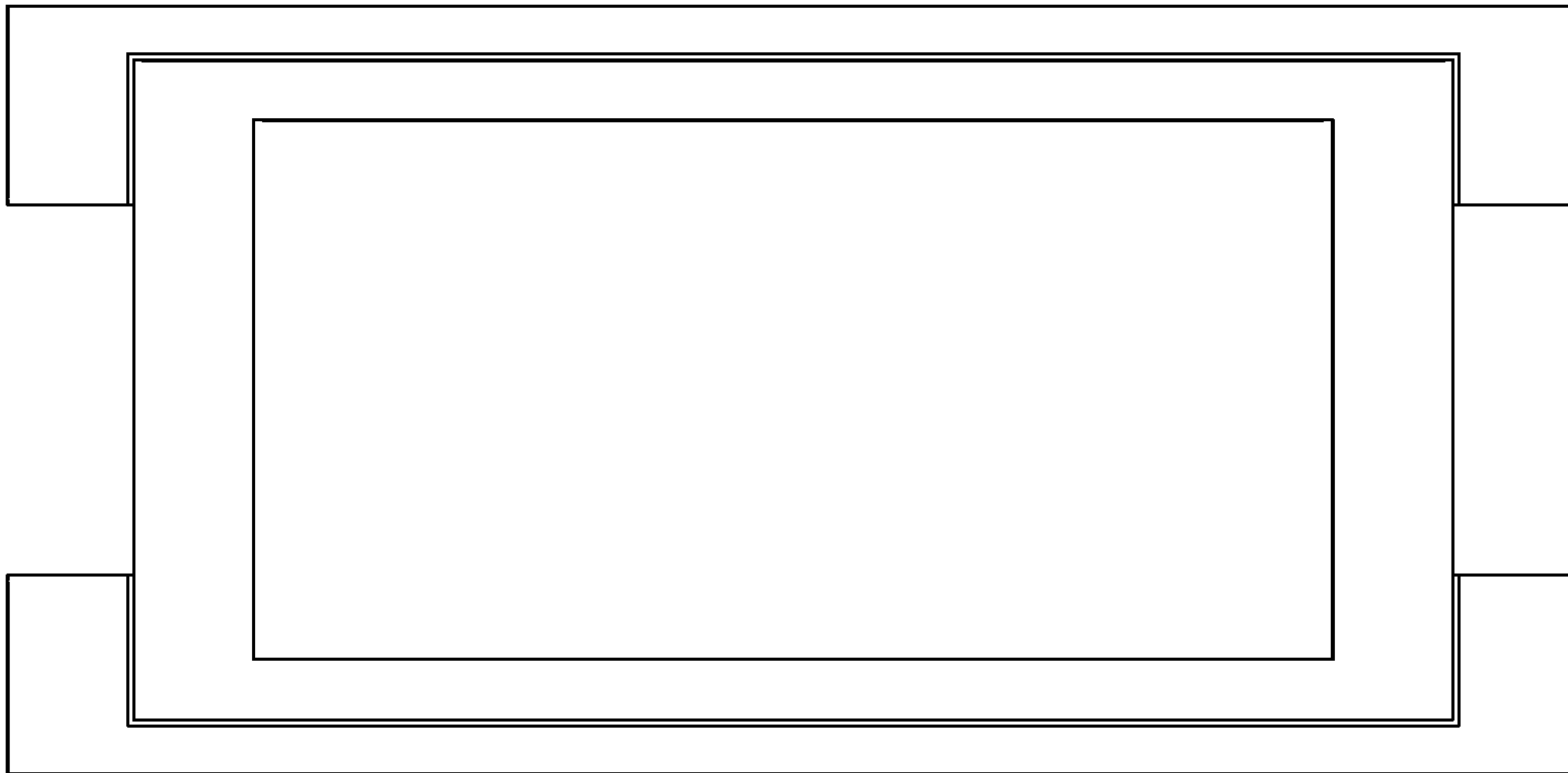


Fig. 5

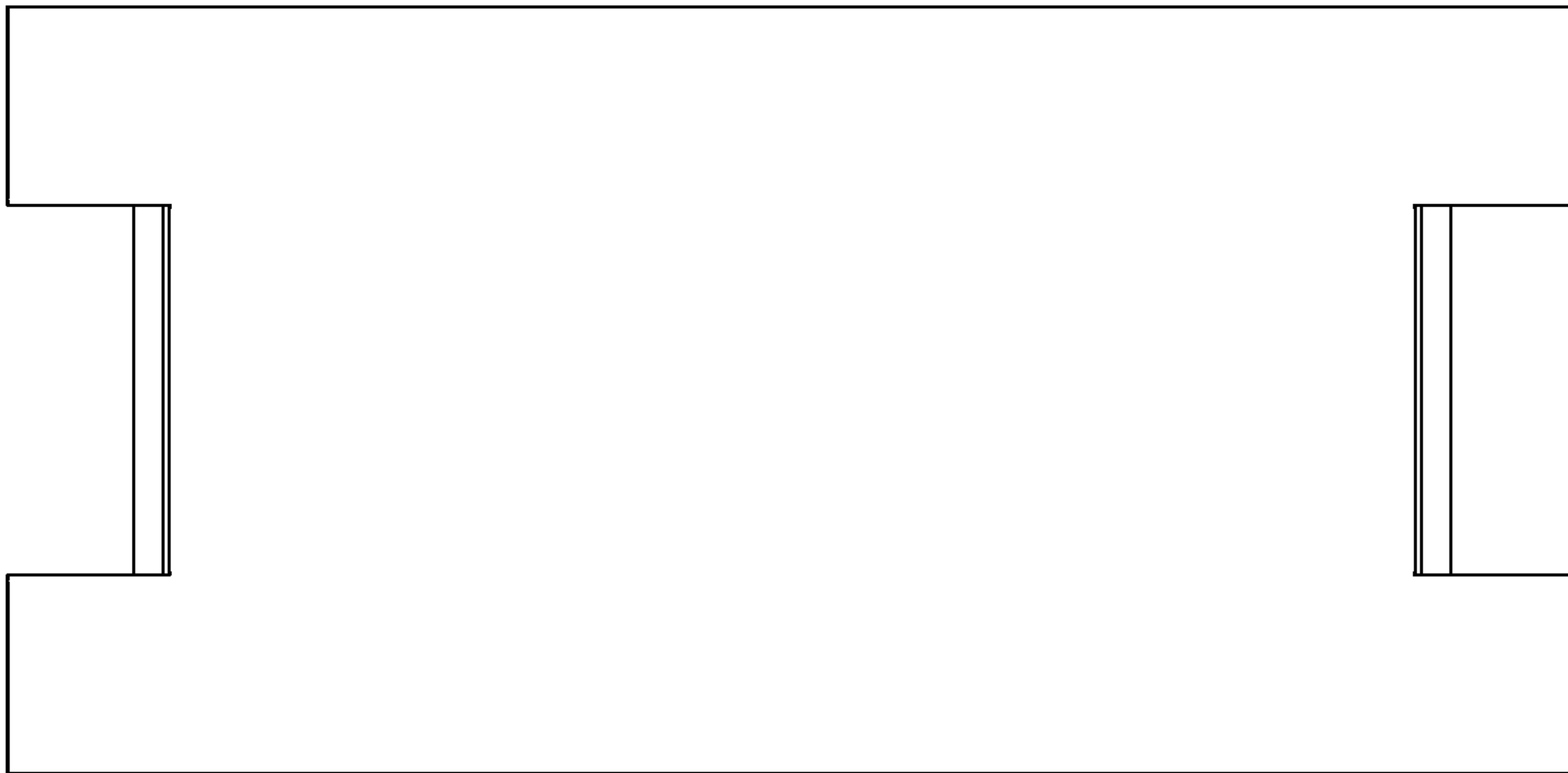


Fig. 6



Fig. 7



Fig. 8

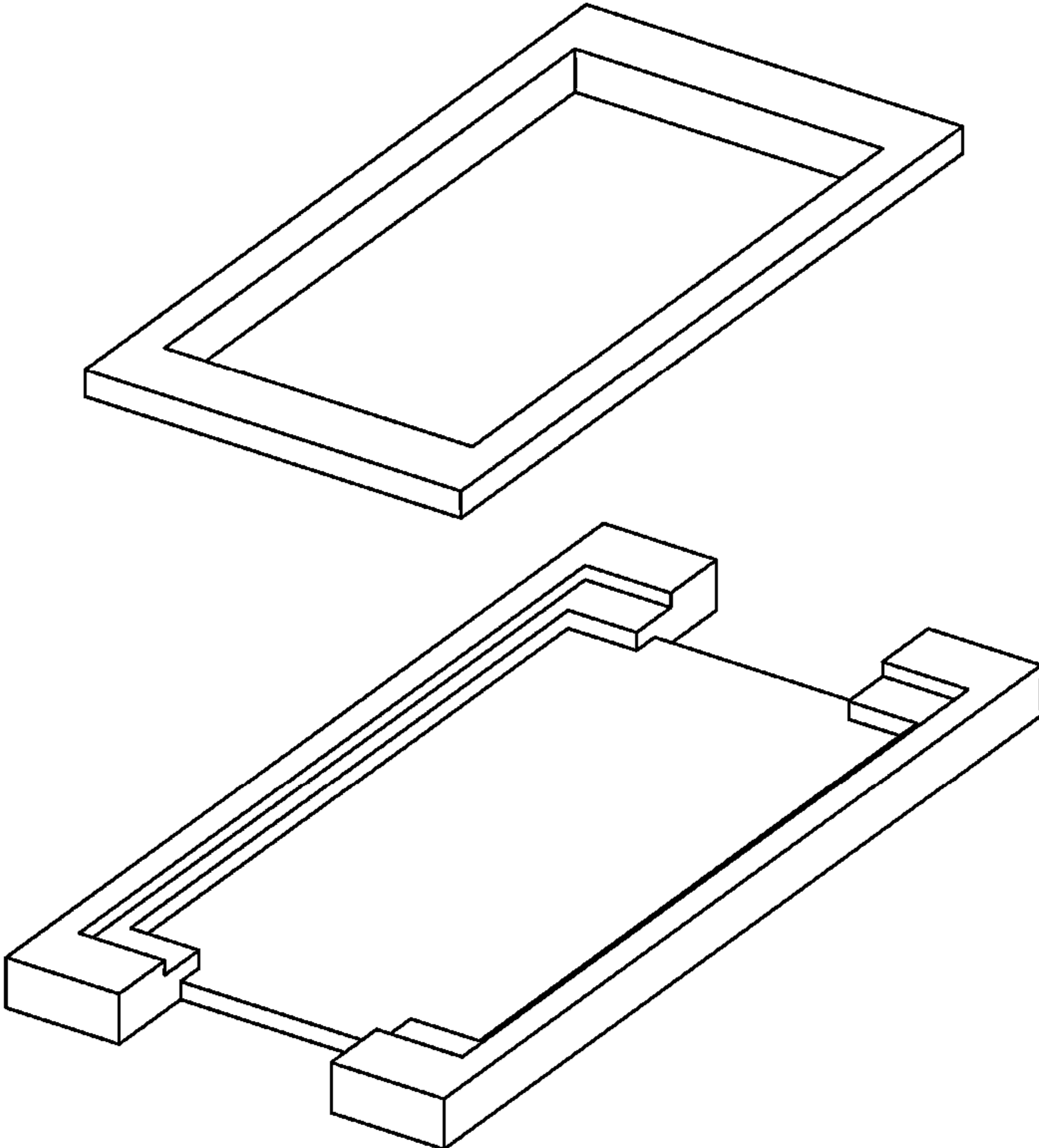


Fig. 9

