



US00D974854S

(12) **United States Design Patent**
Xu

(10) **Patent No.:** **US D974,854 S**
(45) **Date of Patent:** **** Jan. 10, 2023**

(54) **LUNCH BOX**

(71) Applicant: **Dongguan Oumeng Houseware Products Co., Ltd, Dongguan (CN)**

(72) Inventor: **Jingsheng Xu, Yueyang (CN)**

(73) Assignee: **DONGGUAN OUMENG HOUSEWARE PRODUCTS CO., LTD, Dongguan (CN)**

(**) Term: **15 Years**

(21) Appl. No.: **29/735,608**

(22) Filed: **May 22, 2020**

(51) **LOC (14) Cl.** **09-07**

(52) **U.S. Cl.**
USPC **D7/629; D7/555; D7/701**

(58) **Field of Classification Search**
USPC D7/391, 538, 541, 542, 546, 550.01, D7/551.1, 551.2, 551.3, 553.1, 553.2, D7/553.3, 553.4, 553.5, 553.7, 553.8, D7/554, 554.1, 601, 629, 630, 703, 709; D9/420, 425, 426, 429, 432, 761, 737; D3/294

CPC . A45C 11/20; A47J 47/14; B65D 1/36; B65D 25/04; B65D 21/0206; B65D 2543/00175; B65D 1/34; B65D 43/162; B65D 43/0218; B65D 43/0212; B65D 77/2024

See application file for complete search history.

(56) **References Cited**

U.S. PATENT DOCUMENTS

- D132,425 S * 5/1942 Erickson D7/553.5
- D280,060 S * 8/1985 Holzkopf D7/553.2
- D283,666 S * 5/1986 Holzkopf D9/425
- D284,341 S * 6/1986 Zajac D7/553.2
- D350,880 S * 9/1994 VanValkenburg D9/425
- D352,202 S * 11/1994 Campbell D7/546
- 5,419,451 A * 5/1995 Bitel, Jr. B65D 43/0212 206/508

- D440,118 S * 4/2001 Claffy D7/553.1
- 6,471,084 B2 * 10/2002 Erb B65D 77/2024 220/359.4
- D586,623 S * 2/2009 Dunn D7/541
- D597,831 S * 8/2009 Clark D9/425

(Continued)

FOREIGN PATENT DOCUMENTS

- EM 007962196-0001 * 6/2020
- GB 9007962196-0001 * 5/2020

OTHER PUBLICATIONS

[Bentgo Kids Stainless Steel Leak-Resistant Lunch Box], available in Amazon.com, date first available Aug. 7, 2020 [online], [site visited Oct. 11, 2022], Available from the internet URL: <https://www.amazon.com/Bentgo-Stainless-Steel-Leak-Resistant-Lunch/dp/B08FF69BV3?th=1> (Year: 2020).*

(Continued)

Primary Examiner — Jae Liang
Assistant Examiner — Ji Sun Yoon
(74) *Attorney, Agent, or Firm* — Wayne IP LLC

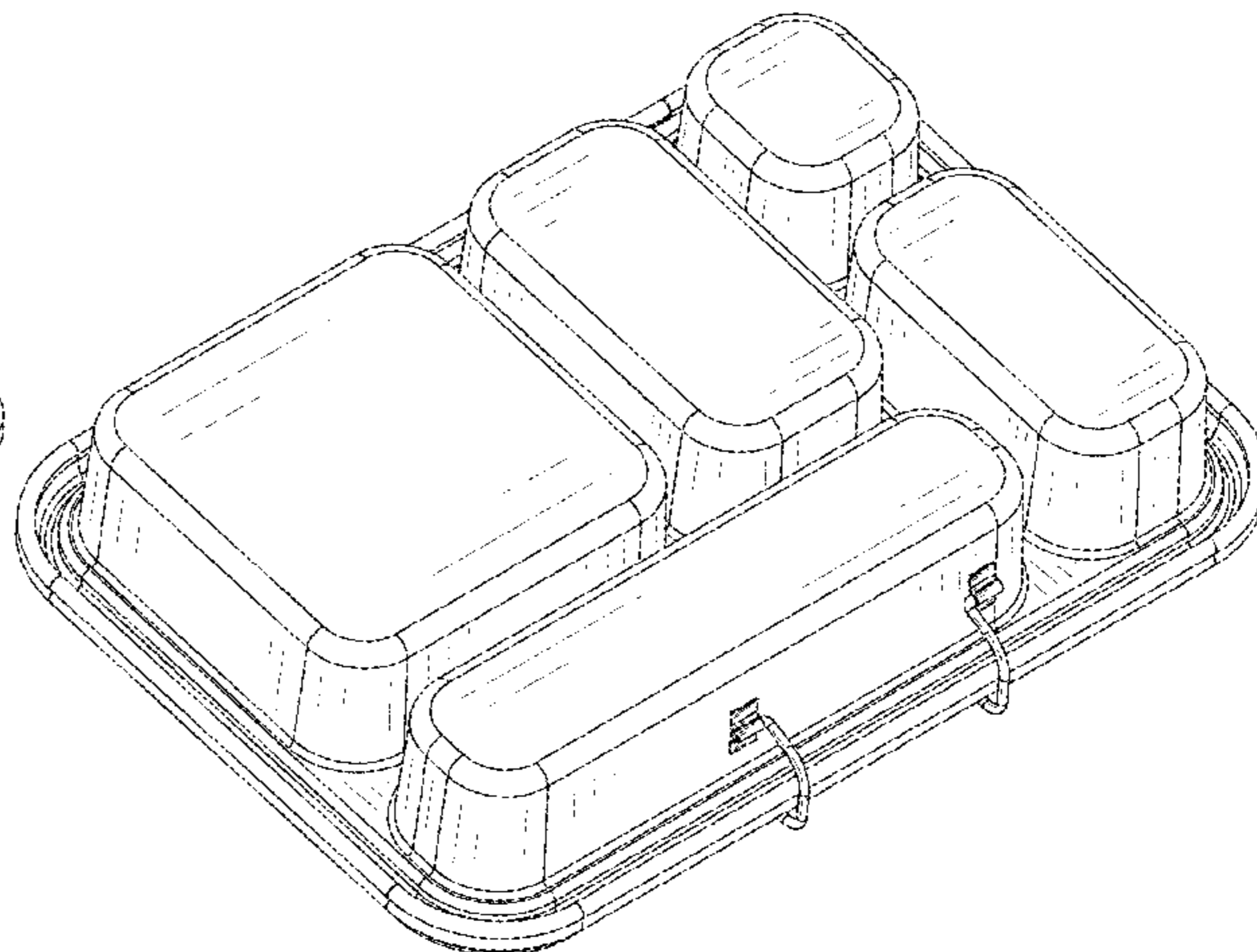
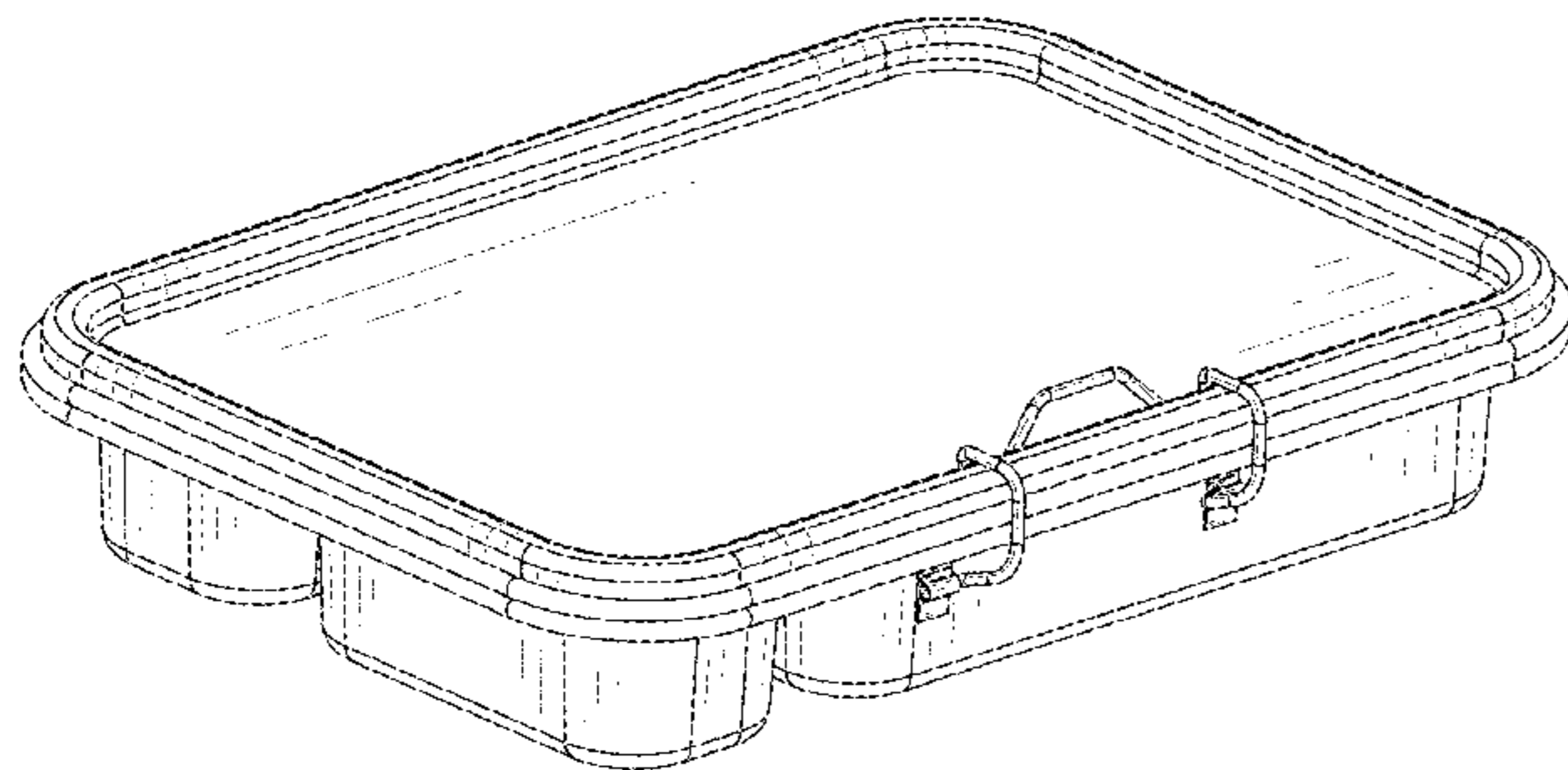
(57) **CLAIM**

The ornamental design for a lunch box, as shown and described.

DESCRIPTION

FIG. 1 is a perspective view of a lunch box showing my new design;
FIG. 2 is another perspective view thereof;
FIG. 3 is a front elevation view thereof;
FIG. 4 is a back elevation view thereof;
FIG. 5 is a left side view thereof;
FIG. 6 is a right side view thereof;
FIG. 7 is a top plan view thereof; and,
FIG. 8 is a bottom plan view thereof.

1 Claim, 8 Drawing Sheets



(56)

References Cited

U.S. PATENT DOCUMENTS

D655,988 S * 3/2012 Miros D7/629
D665,677 S * 8/2012 Wu D9/761
D676,285 S * 2/2013 Shirley D7/629
D695,575 S * 12/2013 Katz D7/629
D763,706 S * 8/2016 Shum D9/737
D816,415 S * 5/2018 Li D7/542
D830,202 S * 10/2018 Buck D9/761
D830,796 S * 10/2018 Chen D7/703
D911,777 S * 3/2021 Spence D7/629
D953,119 S * 5/2022 Dag D7/553.7
D957,215 S * 7/2022 Goldberg D7/703
D963,436 S * 9/2022 Chen D7/703
D964,808 S * 9/2022 Xu D7/541
2002/0108955 A1 * 8/2002 Erb B65D 77/2024
220/359.4
2006/0201950 A1 * 9/2006 Liu B65D 1/36
220/521

OTHER PUBLICATIONS

[LuchBots Large Cinco Stainless Steel Lunch Container], available in Amazon.com, date first available May 9, 2019 [online], [site visited Oct. 11, 2022], Available from the internet URL: <https://www.amazon.com/LunchBots-Large-Cinco-Stainless-Container/dp/B07RR27R95?th=1> (Year: 2019).*

* cited by examiner

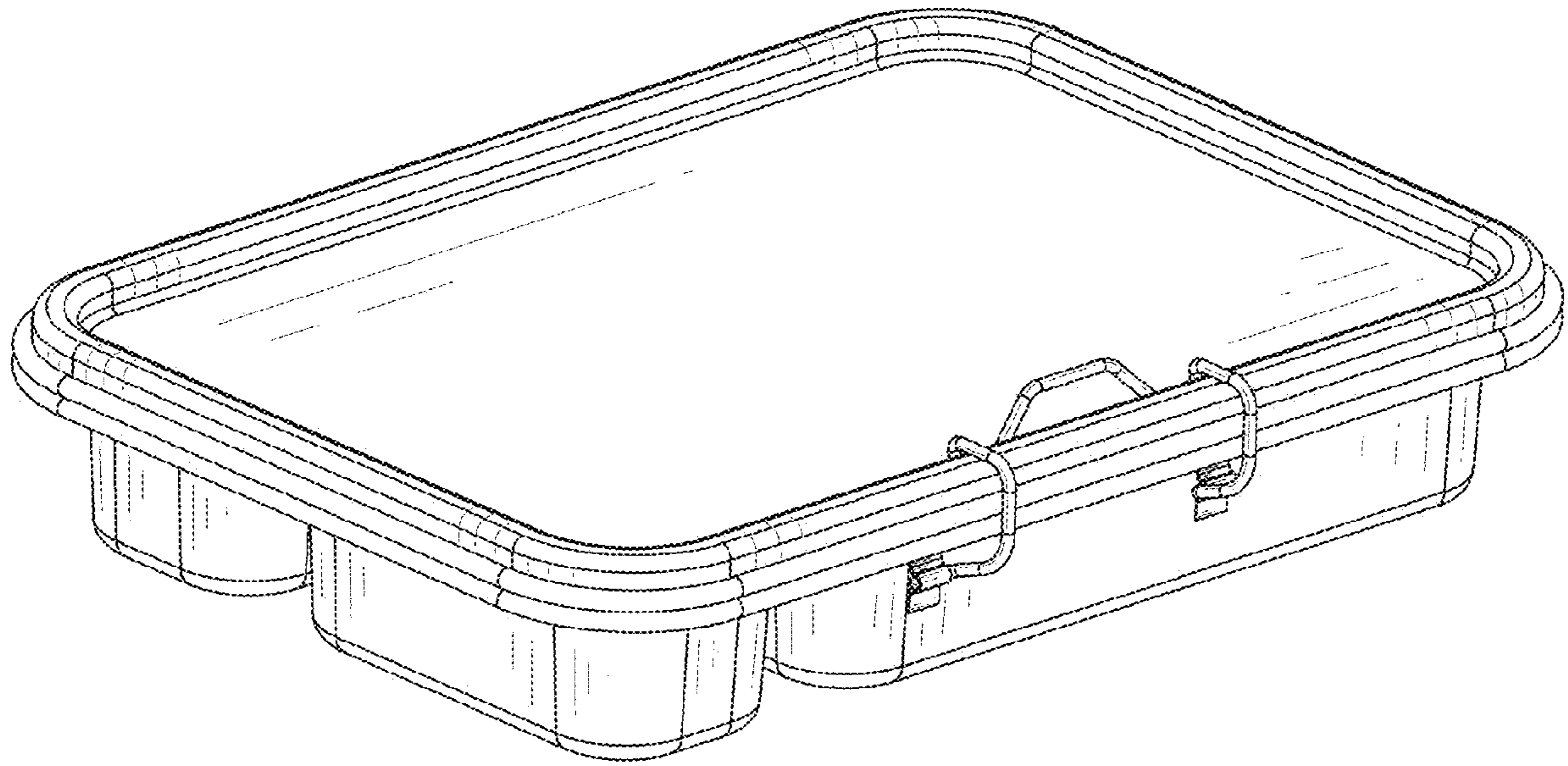


FIG. 1

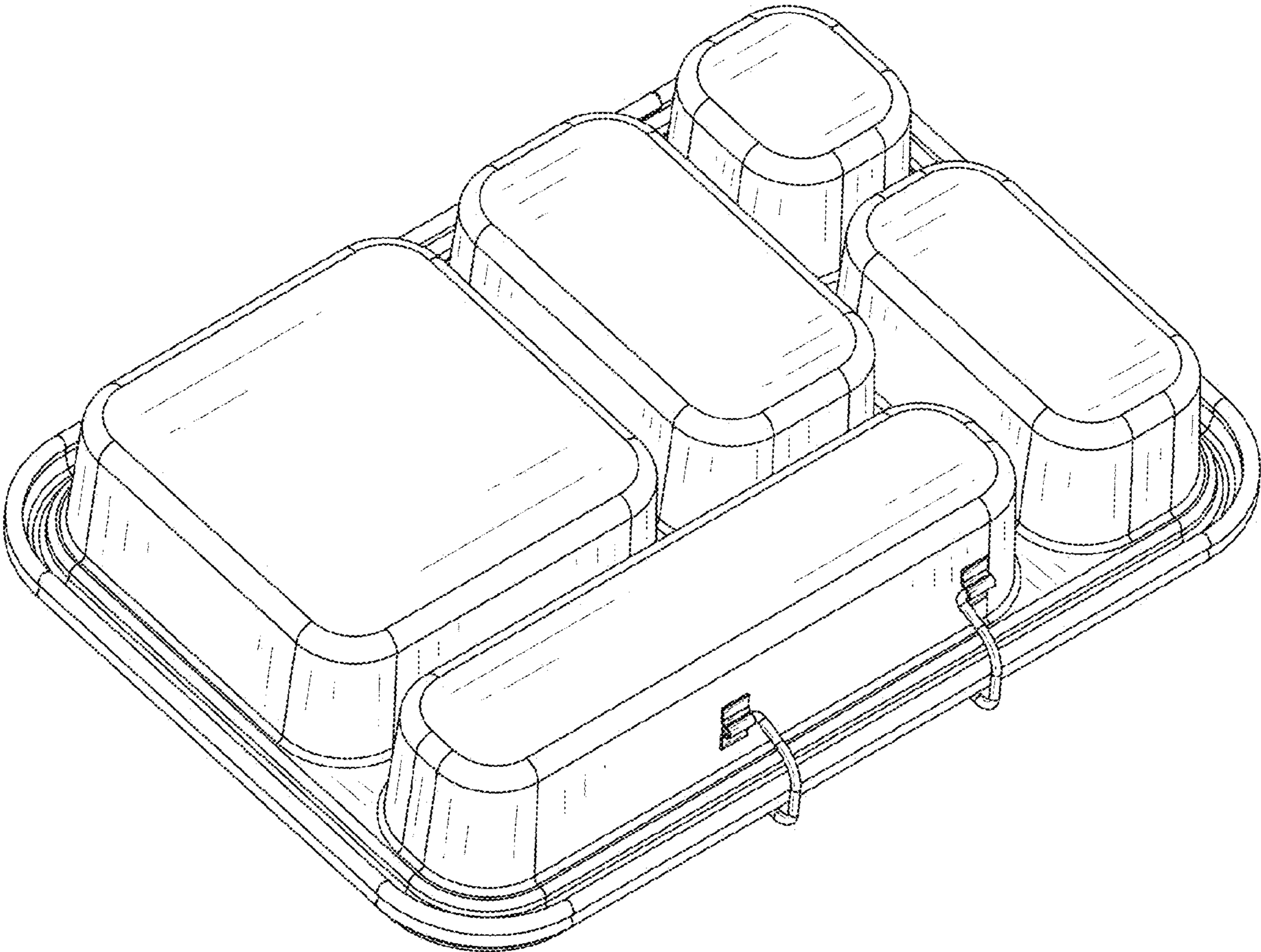


FIG. 2

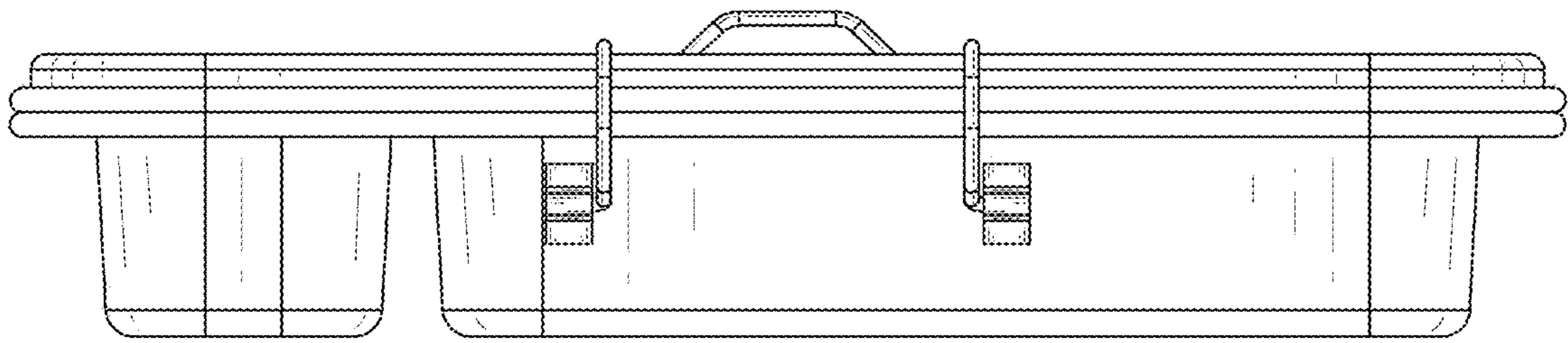


FIG. 3

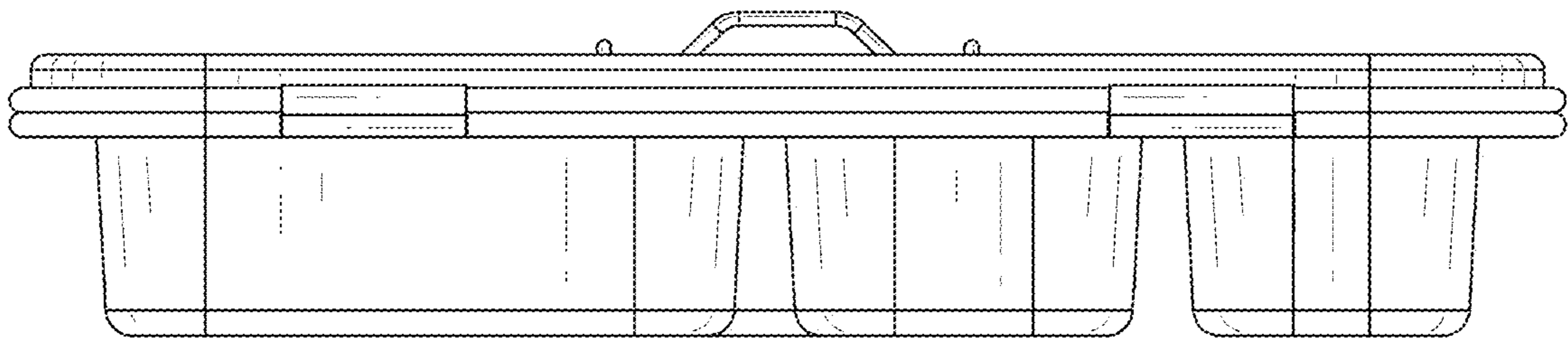


FIG. 4

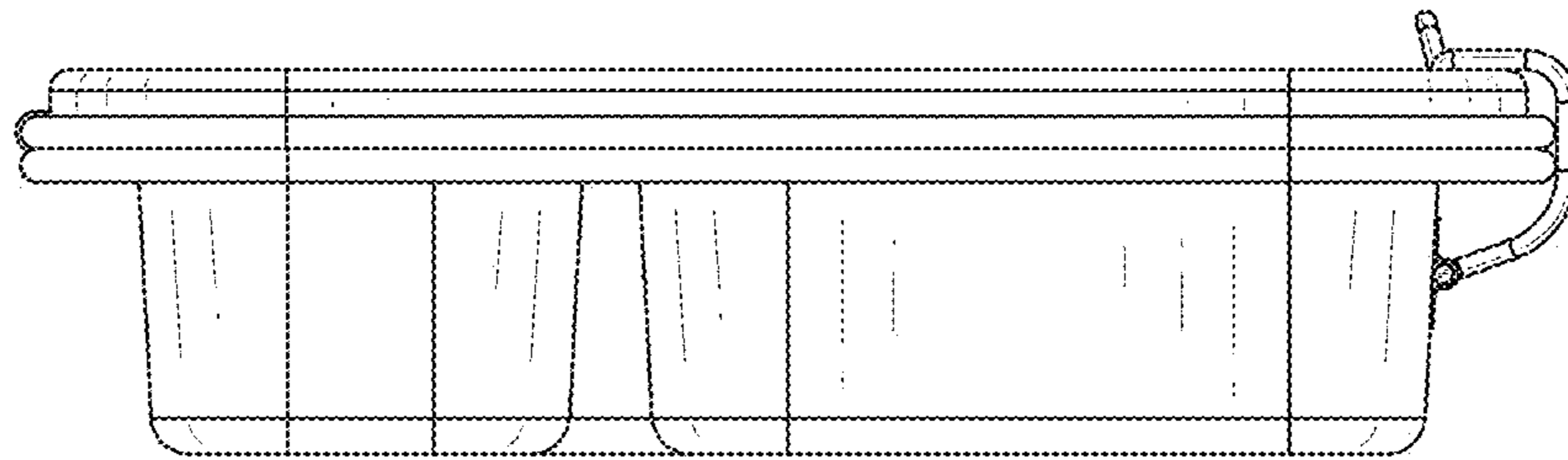


FIG. 5

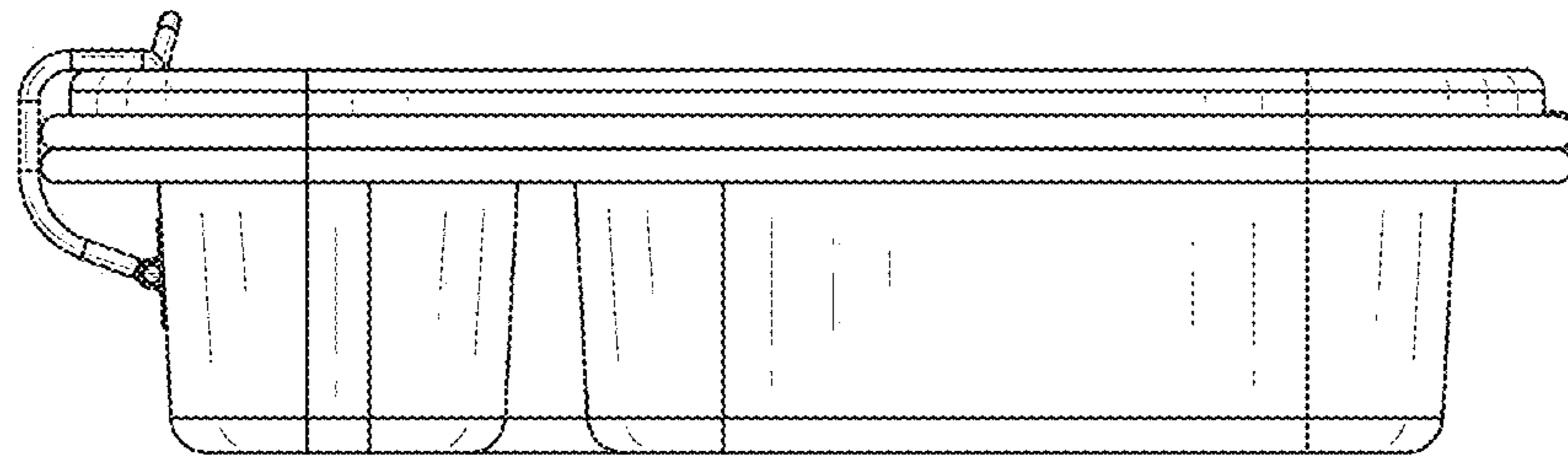


FIG. 6

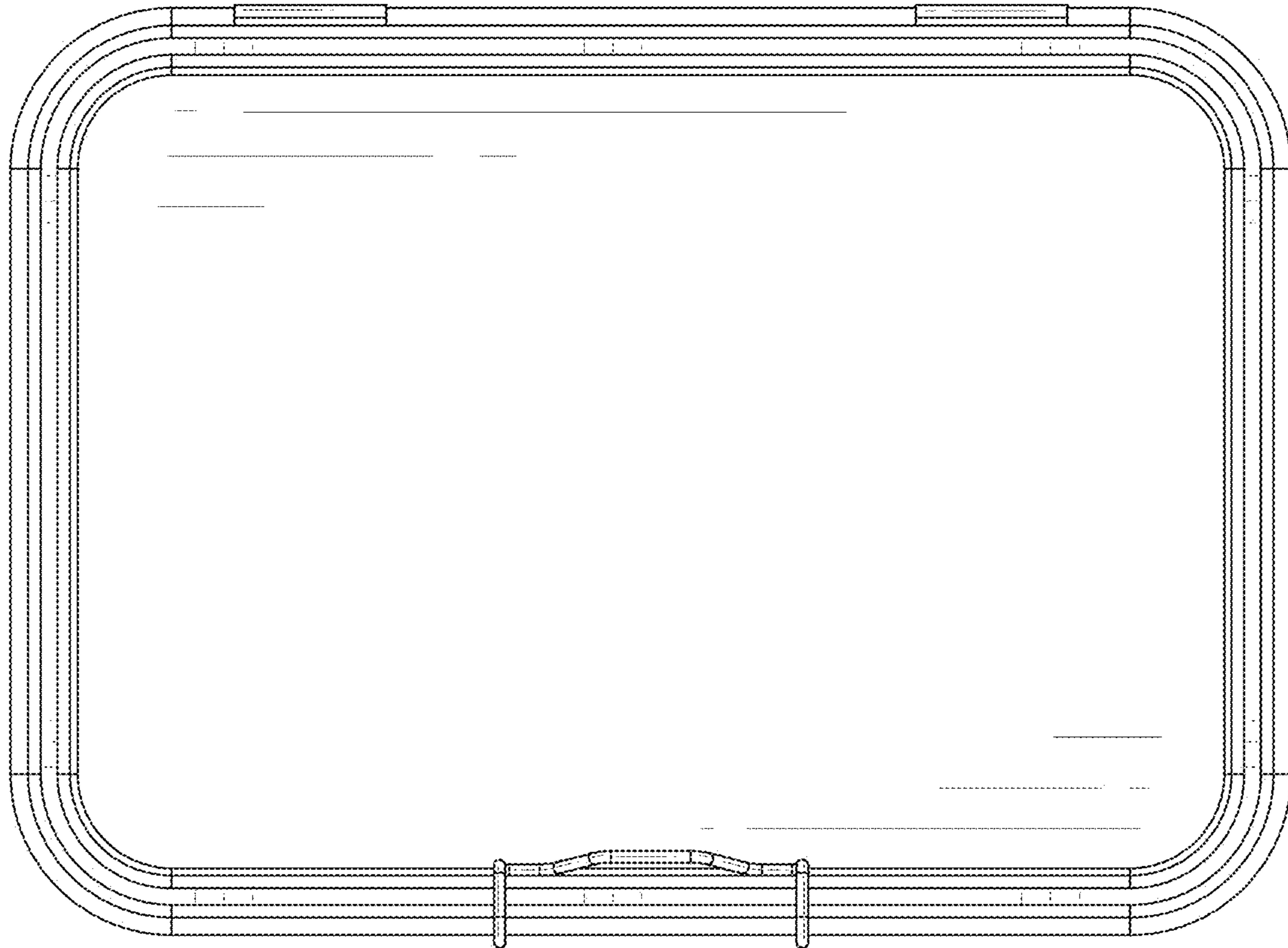


FIG. 7

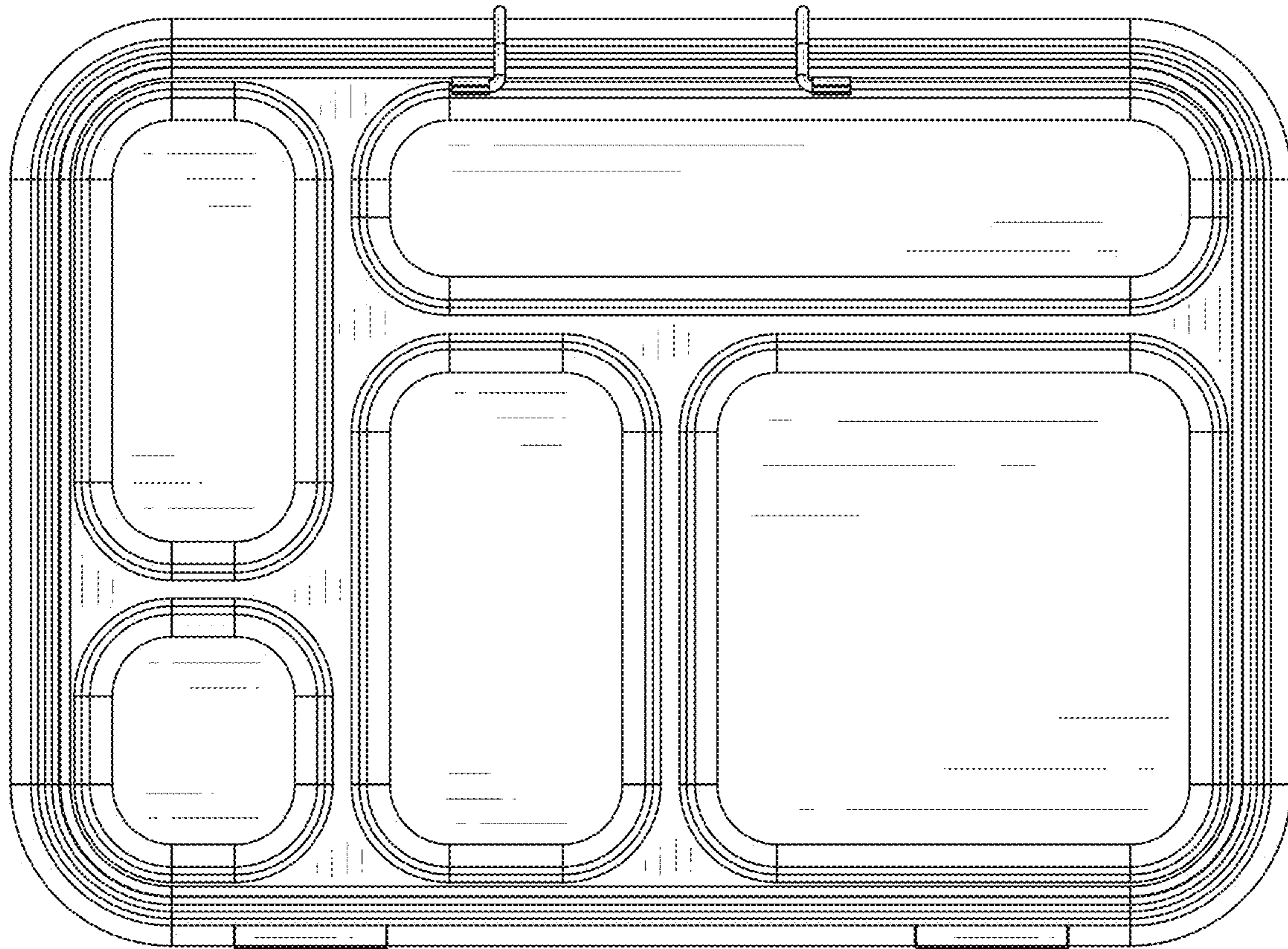


FIG. 8