



US00D974853S

(12) **United States Design Patent** (10) **Patent No.:** **US D974,853 S**
Xu (45) **Date of Patent:** **** Jan. 10, 2023**

(54) **LUNCH BOX**
(71) Applicant: **Dongguan Oumeng Houseware Products Co., Ltd, Dongguan (CN)**
(72) Inventor: **Jingsheng Xu, Hunan (CN)**
(73) Assignee: **DONGGUAN OUMENG HOUSEWARE PRODUCTS CO., LTD, Dongguan (CN)**

D944,608 S * 3/2022 Lu D7/703
D946,979 S * 3/2022 Earle D7/629
D951,727 S * 5/2022 Zhong D7/703
D953,128 S * 5/2022 Swartz D7/703
(Continued)

(**) Term: **15 Years**

FOREIGN PATENT DOCUMENTS

CN 305874828 * 6/2020
CN 307187402 * 3/2022
EM 007758123-0001 * 3/2020

(21) Appl. No.: **29/728,192**
(22) Filed: **Mar. 17, 2020**
(51) **LOC (14) Cl.** **09-07**
(52) **U.S. Cl.**
USPC **D7/629; D7/602**
(58) **Field of Classification Search**
USPC D3/203.2, 294; D7/391, 538, 541,
D7/550.01, 551.1, 551.2, 551.3, 553.1,
D7/553.2, 553.3, 553.4, 553.5, 553.7,
D7/553.8, 554, 554.1, 601, 602, 629, 630,
D7/703, 709; D9/420, 425, 426, 429,
D9/432
CPC . A45C 11/20; A47J 47/14; B65D 1/36; B65D
25/04; B65D 21/0206; B65D 2543/00175;
B65D 1/34; B65D 43/162; B65D 43/0218
See application file for complete search history.

OTHER PUBLICATIONS

[Bentgo Fresh—Leak-Proof, Versatile 4 compartment Bento Style Lunch Box], available in Amazon.com, date first available, Jun. 22, 2017 [online], [site visited Sep. 28, 2022], Available from the internet URL: <https://www.amazon.com/Bentgo-Fresh-Aqua-4-Compartment-Portion-Control/dp/B07MWC9VT5/> (Year: 2017).*

Primary Examiner — Jae Liang
Assistant Examiner — Ji Sun Yoon
(74) *Attorney, Agent, or Firm* — Wayne IP LLC

(57) **CLAIM**

The ornamental design for a lunch box, as shown and described.

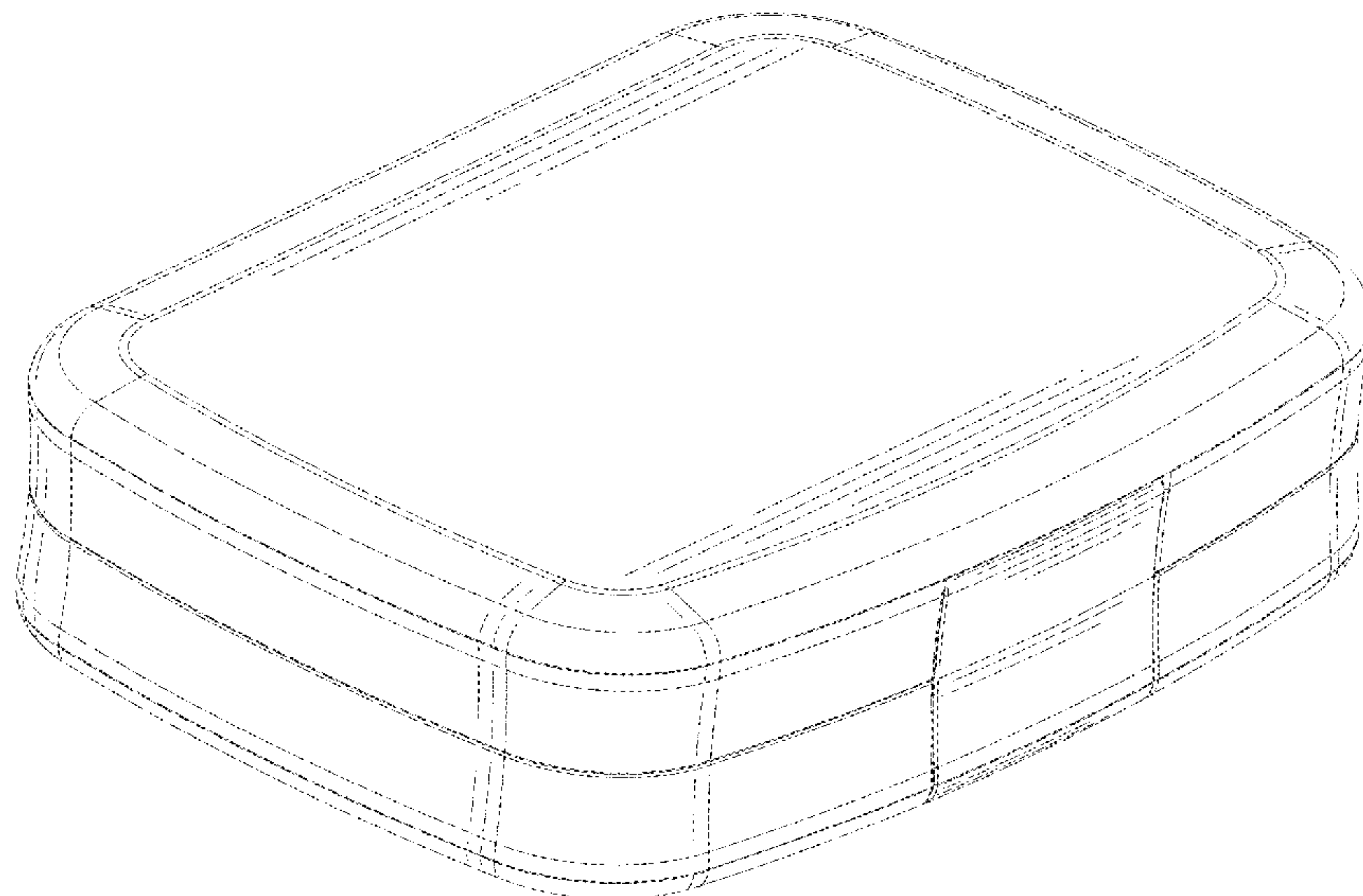
DESCRIPTION

FIG. 1 is a perspective view of a lunch box showing my new design;
FIG. 2 is another perspective view;
FIG. 3 is a front elevation view thereof;
FIG. 4 is a back elevation view thereof;
FIG. 5 is a left side view thereof;
FIG. 6 is a right side view thereof;
FIG. 7 is a top plan view thereof; and,
FIG. 8 is a bottom plan view thereof.
The broken lines in the drawings illustrate portions of the lunch box and form no part of the claimed design.

(56) **References Cited**
U.S. PATENT DOCUMENTS

D367,211 S * 2/1996 Cautereels D7/629
D472,774 S * 4/2003 Pelstring D7/629
D566,484 S * 4/2008 George D7/629
D576,901 S * 9/2008 Fraser D10/104.1
D814,885 S * 4/2018 Casey D7/629
D874,262 S * 2/2020 Lindsay D9/420
D880,957 S * 4/2020 Xu D7/629
D911,117 S * 2/2021 Xu D7/602
D912,475 S * 3/2021 Boroski D7/629

1 Claim, 8 Drawing Sheets



(56)

References Cited

U.S. PATENT DOCUMENTS

D953,129 S *	5/2022	Swartz	D7/703
D953,731 S *	6/2022	Lee	D3/203.2
D957,214 S *	7/2022	Goldberg	D7/703
D962,020 S *	8/2022	Zhang	D7/703
2011/0114526 A1 *	5/2011	Neumann	A45C 11/20 206/459.5

* cited by examiner

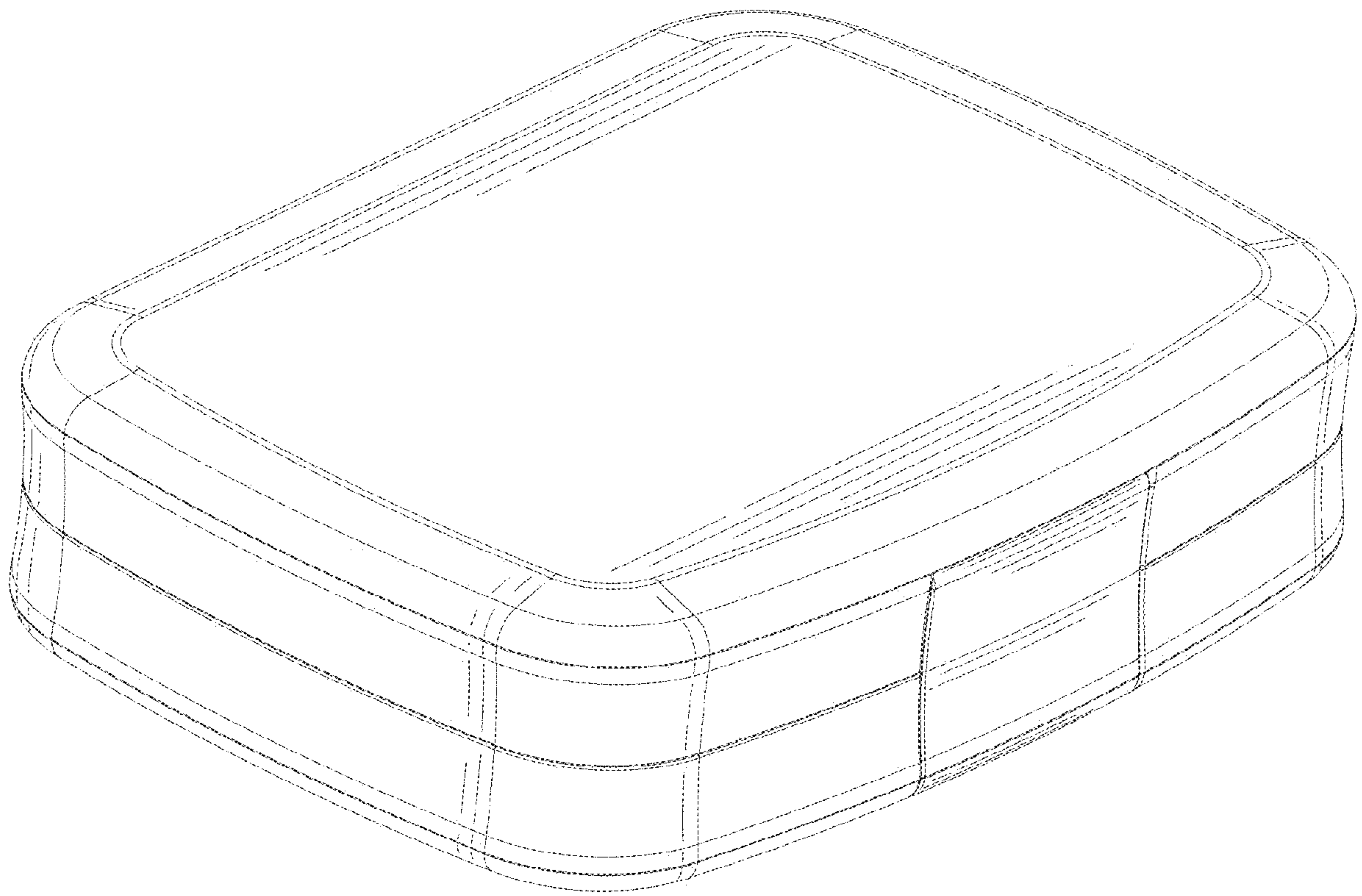


FIG. 1

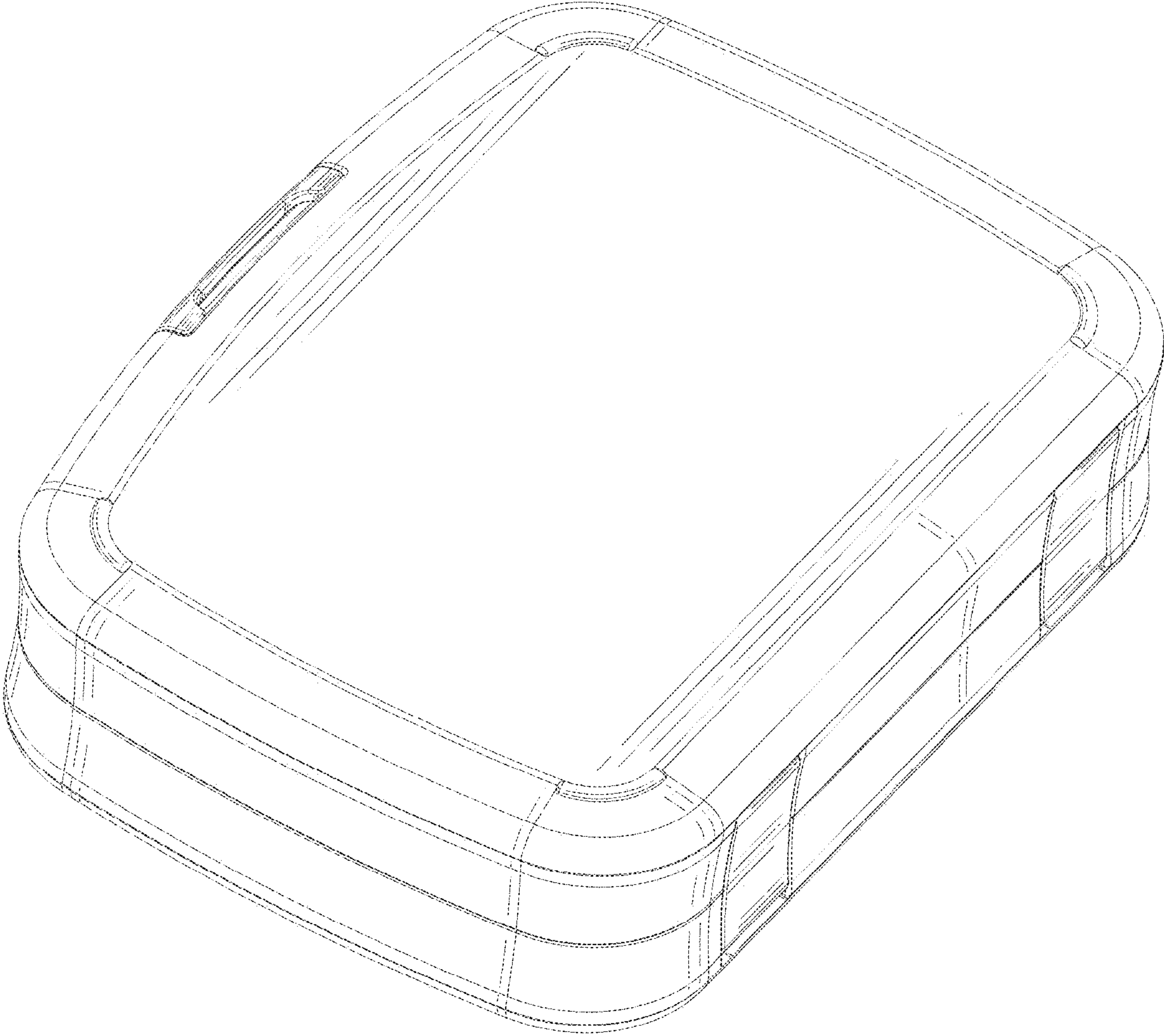


FIG. 2

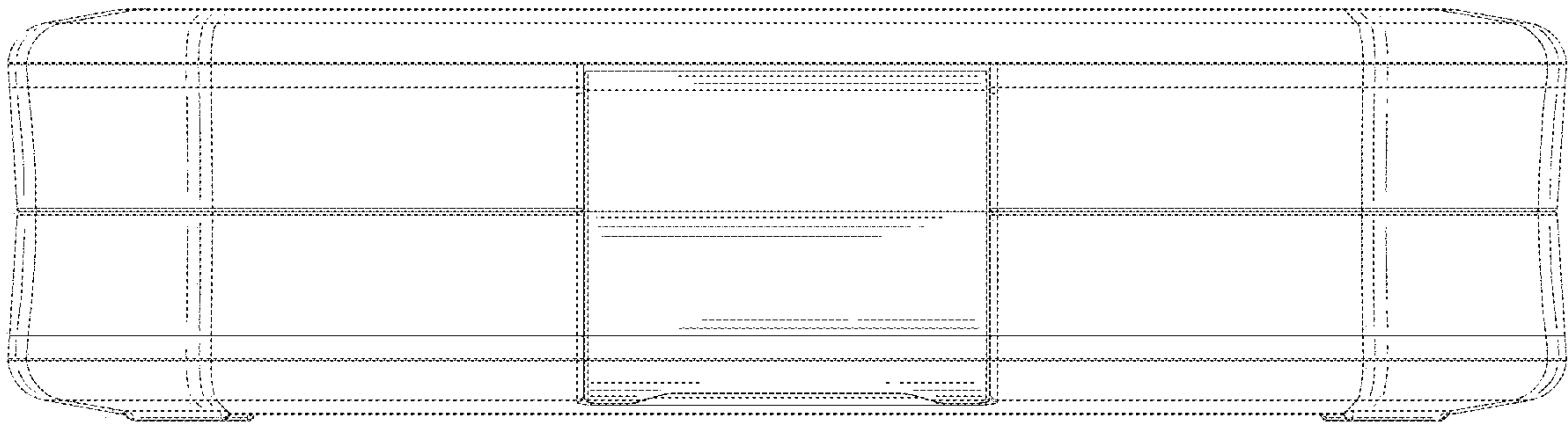


FIG. 3

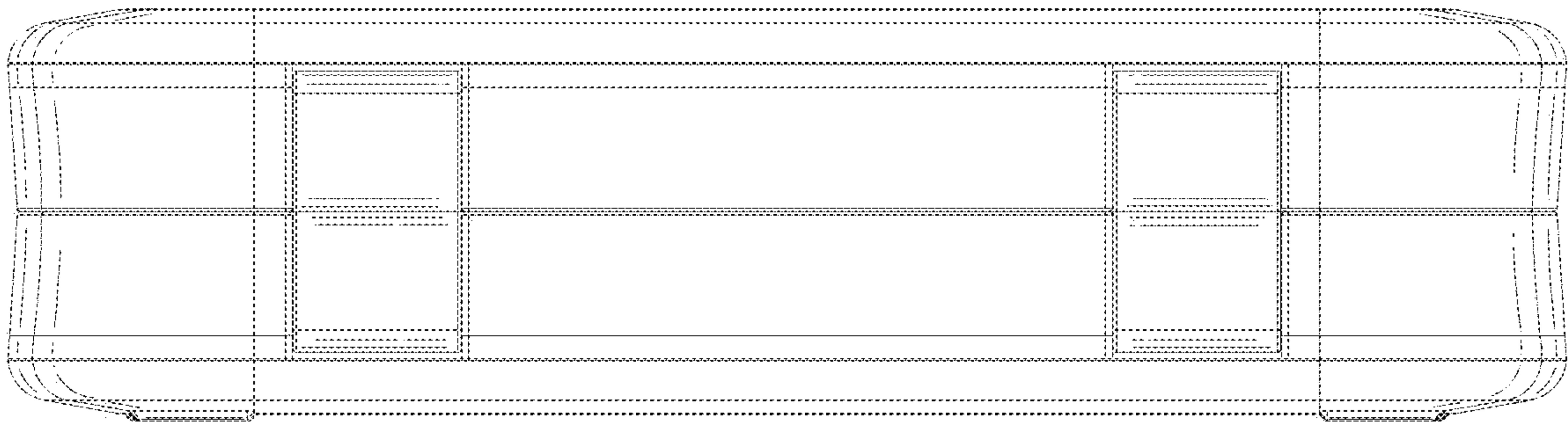


FIG. 4

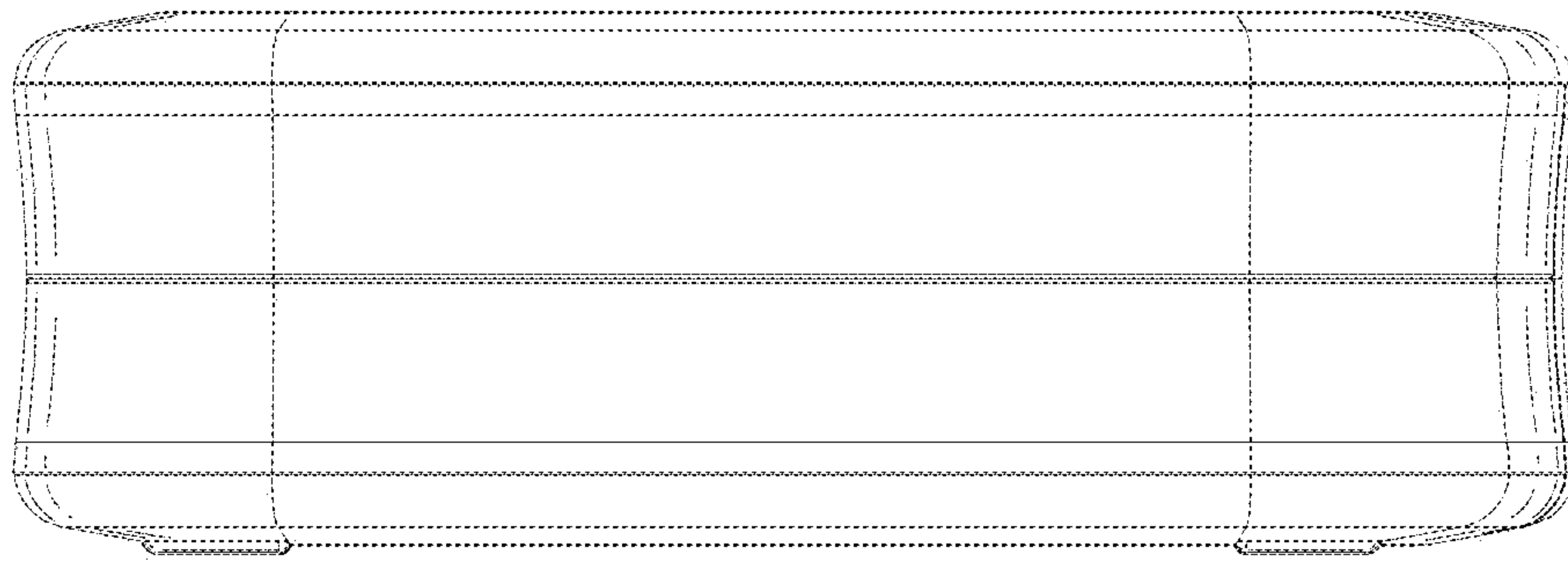


FIG. 5

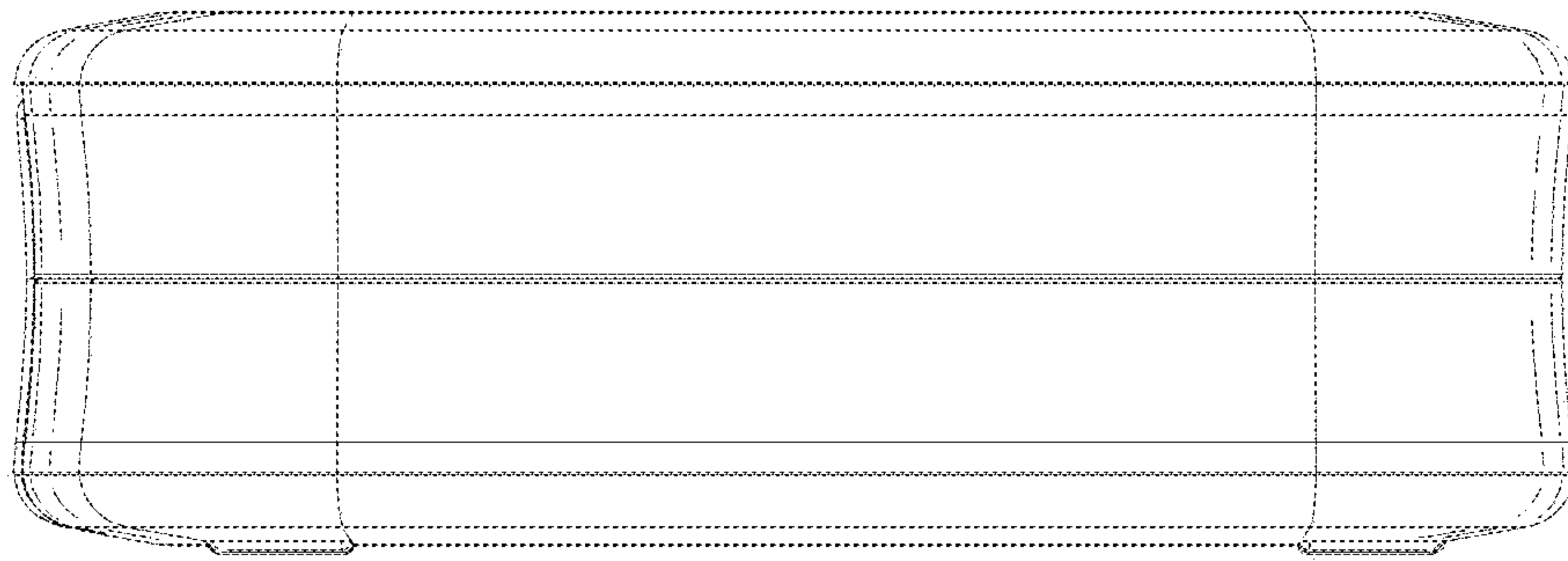


FIG. 6

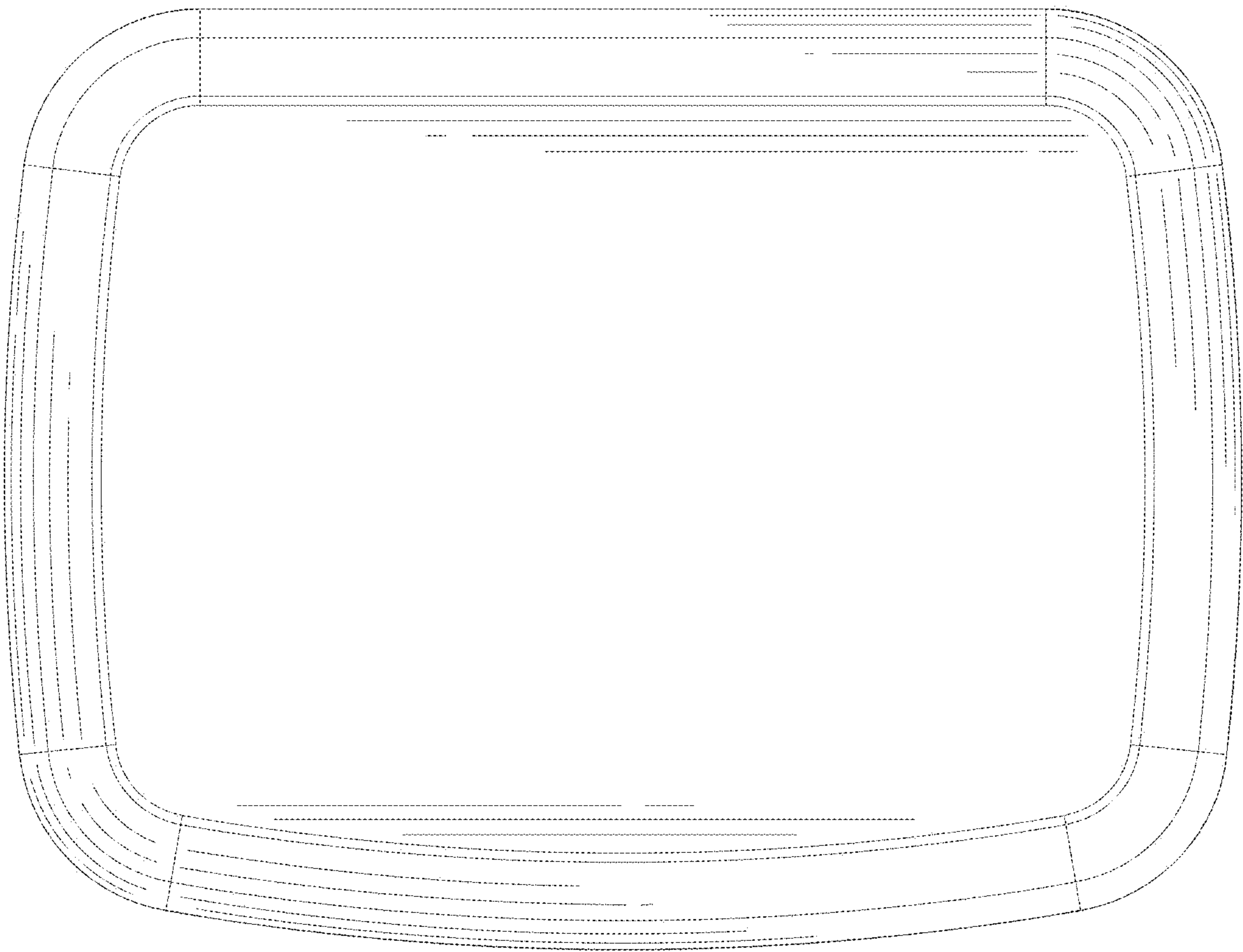


FIG. 7

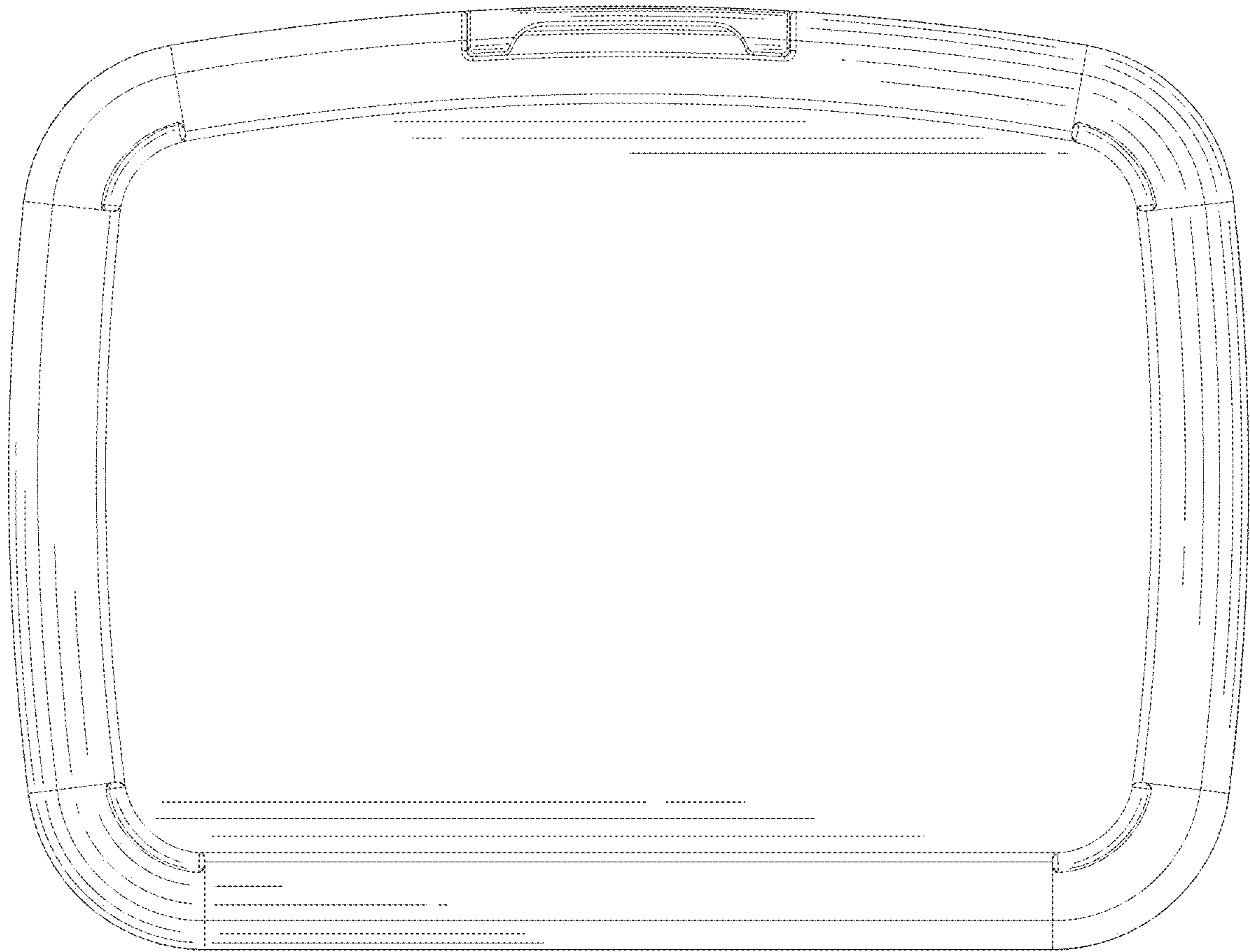


FIG. 8