



US00D974852S

(12) **United States Design Patent** (10) **Patent No.:** **US D974,852 S**
Snell (45) **Date of Patent:** **** Jan. 10, 2023**

(54) **CANISTER**
(71) Applicant: **Interdesign, Inc.**, Solon, OH (US)
(72) Inventor: **Russell Benton Snell**, Bentleyville, OH (US)
(73) Assignee: **InterDesign, Inc.**, Solon, OH (US)
(**) Term: **15 Years**

D322,753 S * 12/1991 Sussman D9/504
D333,758 S * 3/1993 Lillelund D7/602
D358,531 S * 5/1995 Cousins D9/504
D389,350 S * 1/1998 Davis D6/520
D463,282 S * 9/2002 Mitchell D9/500
D588,916 S * 3/2009 DeMarco D9/504
D654,374 S * 2/2012 Lauder D9/715
D806,487 S * 1/2018 Elvin-Jensen D7/701

(Continued)

(21) Appl. No.: **29/816,042**
(22) Filed: **Nov. 18, 2021**

Related U.S. Application Data

(63) Continuation of application No. 29/777,251, filed on Apr. 5, 2021, now Pat. No. Des. 938,726, which is a continuation of application No. 29/713,375, filed on Nov. 15, 2019, now Pat. No. Des. 915,101, which is a continuation of application No. 29/618,242, filed on Sep. 20, 2017, now Pat. No. Des. 868,511.

(51) **LOC (14) Cl.** **09-02**
(52) **U.S. Cl.**
USPC **D7/612**

(58) **Field of Classification Search**
USPC D7/300, 396.2, 507-509, 523, 532, 537, D7/601, 602, 603, 605, 608, 612, 619.1, D7/629, 630; D9/424, 500, 503, 504, D9/516, 520, 549, 550, 558, 715; D11/143, 144, 152; D26/6, 7, 10, 16; D27/134; D30/129
CPC ... A47G 19/2205; A47G 19/2255; A45F 3/20; A45F 2003/205; B65D 1/22
See application file for complete search history.

(56) **References Cited**

U.S. PATENT DOCUMENTS

D207,452 S * 4/1967 Stayman D7/603
D265,176 S * 6/1982 Bock D9/503
D310,617 S * 9/1990 Pozzi D7/542

OTHER PUBLICATIONS

Amazon.com, mDesign Plastic Bathroom Vanity Countertop Canister Jar with Storage Lid, Jul. 28, 2018, <https://www.amazon.com/mDesign-Bathroom-Countertop-Canister-Recessed/dp/B07CS32WMX/> (Year: 2018).*

Primary Examiner — Nathan M Johnston

(74) *Attorney, Agent, or Firm* — Calfee, Halter & Griswold LLP

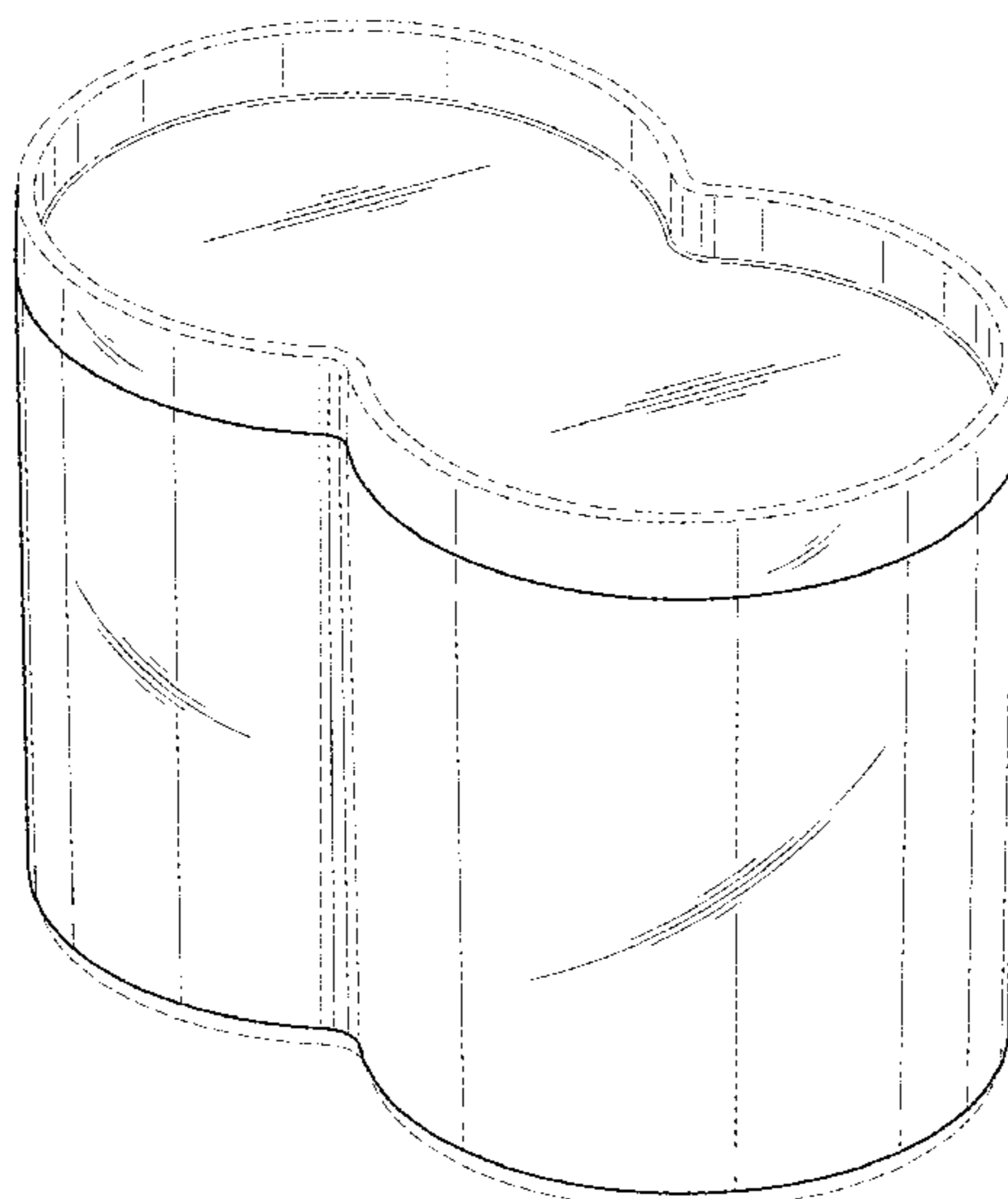
(57) **CLAIM**

I claim the ornamental design for a canister, as shown and described.

DESCRIPTION

FIG. 1 is a front/right/top perspective view of a canister (a front/left/top perspective view would be a mirror image thereof);
FIG. 2 is a rear/left/bottom perspective view thereof (a rear/right/bottom perspective view would be a mirror image thereof);
FIG. 3 is a top plan view thereof;
FIG. 4 is a bottom plan view thereof;
FIG. 5 is a front elevational view thereof (a rear elevational view would be a mirror image thereof); and,
FIG. 6 is a right side elevational view thereof (a left side elevational view would be a mirror image thereof).
The broken lines depict portions of the canister that form no part of the claimed design.

1 Claim, 4 Drawing Sheets



(56)

References Cited

U.S. PATENT DOCUMENTS

D861,433 S * 10/2019 Busch D7/509
D879,564 S * 3/2020 Adams, Jr. D7/612

* cited by examiner

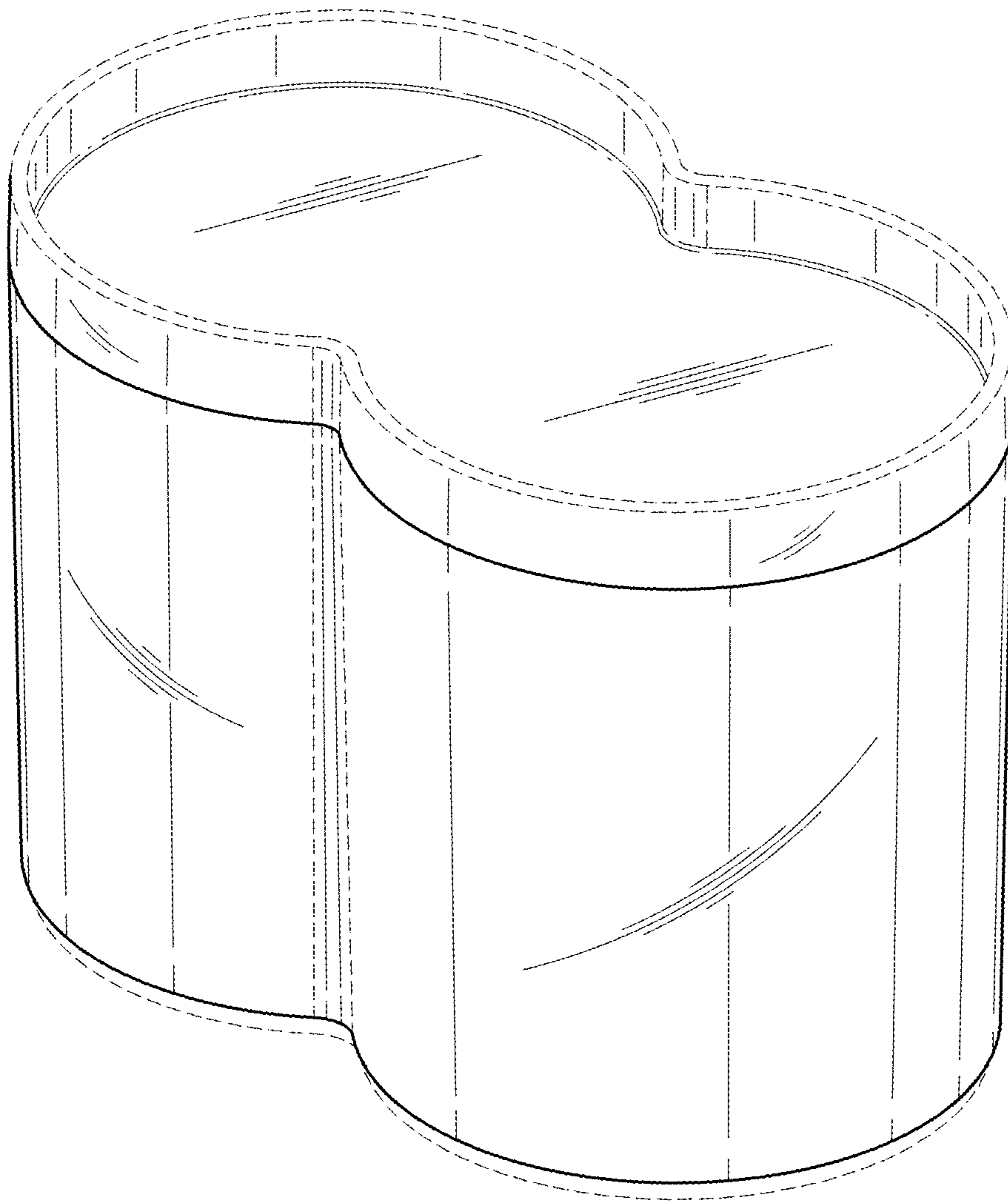


FIG. 1

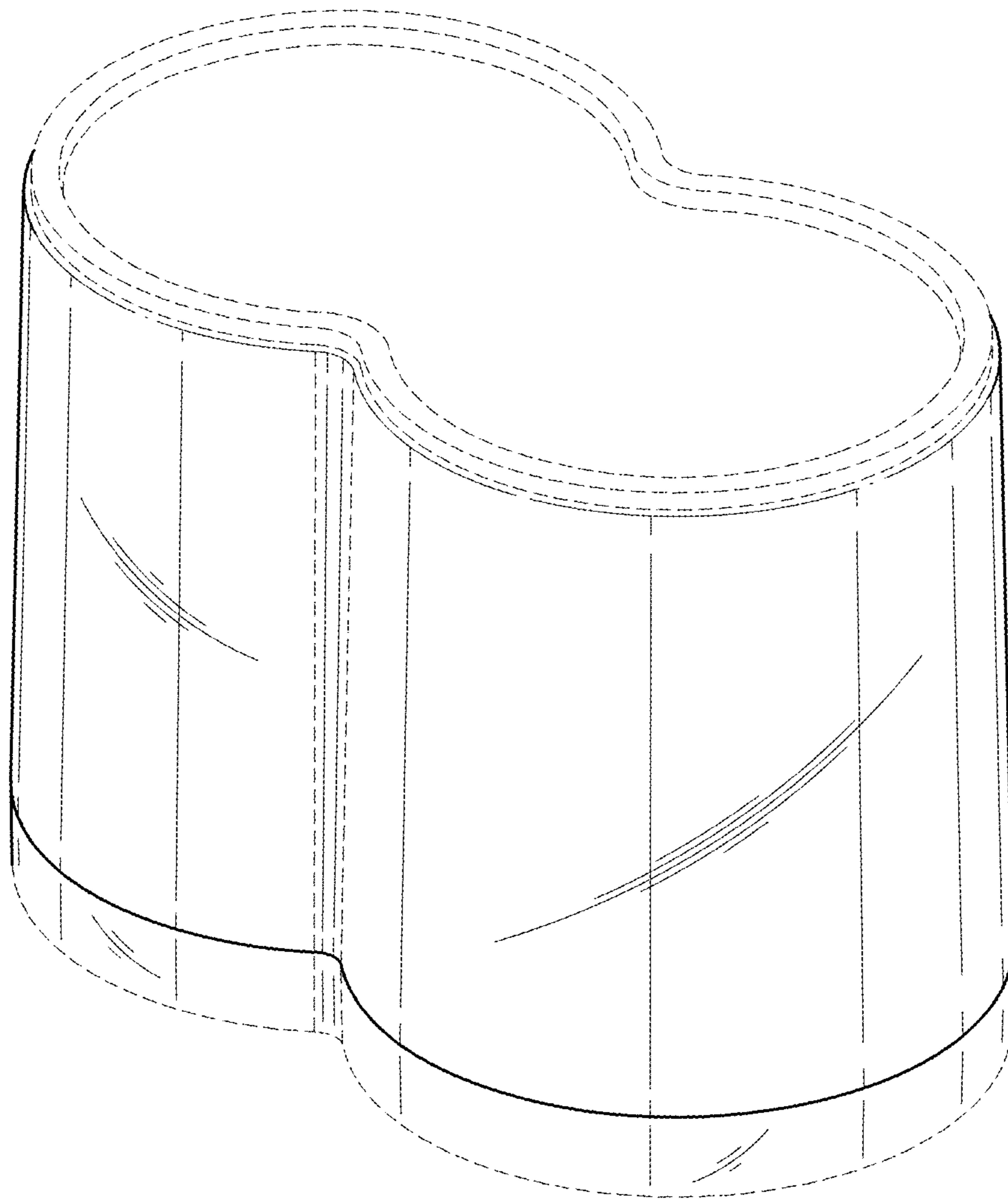


FIG. 2

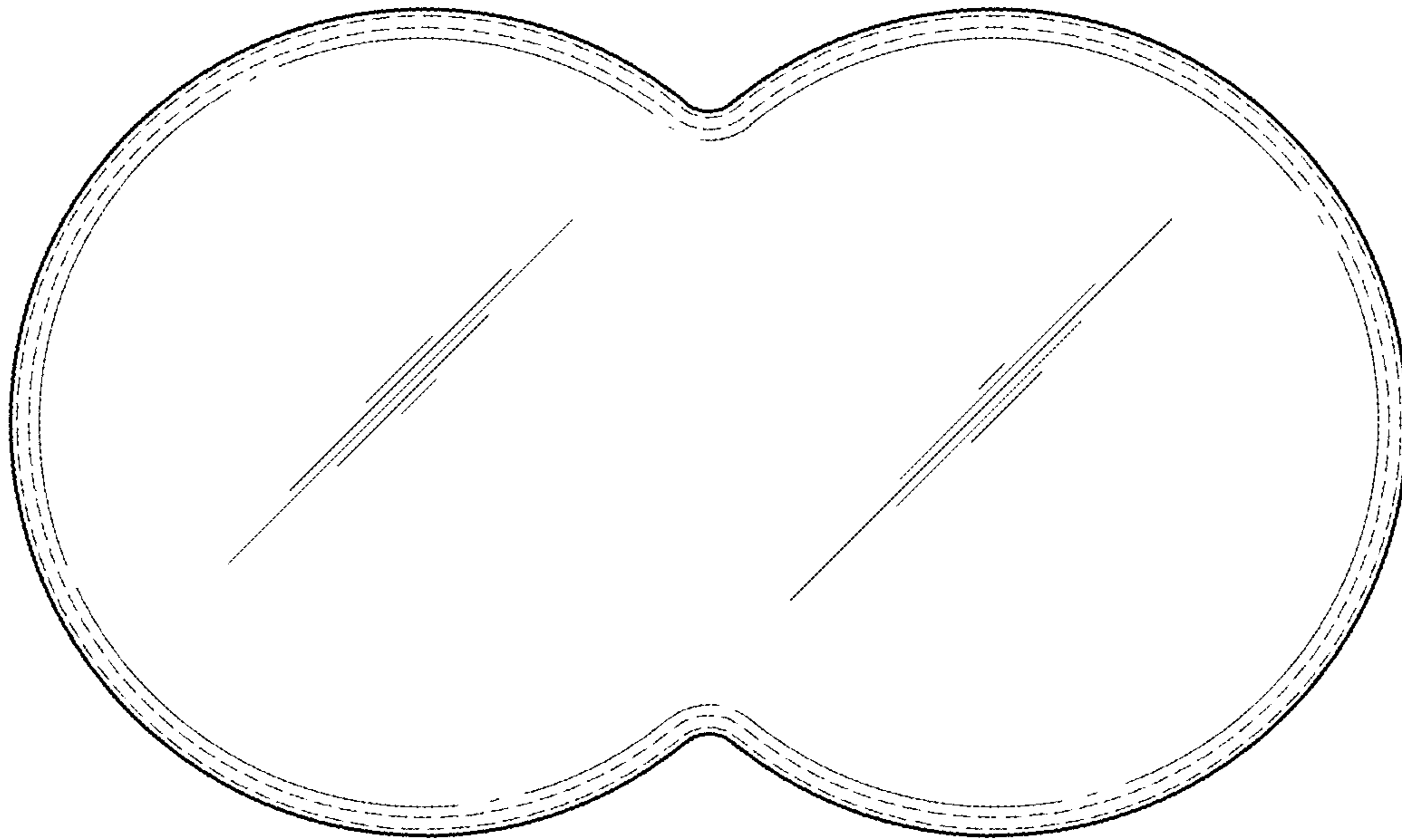


FIG. 3

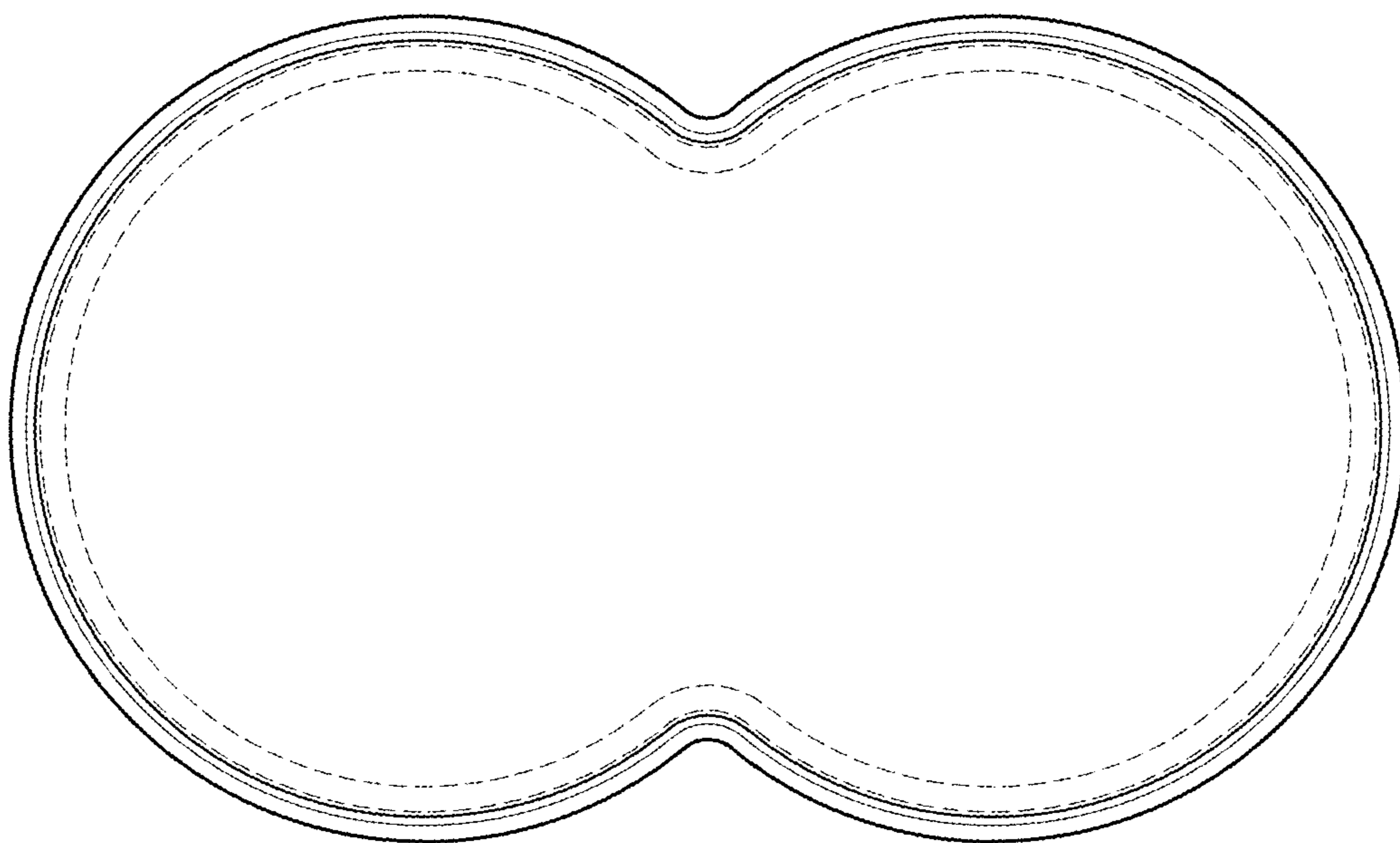


FIG. 4

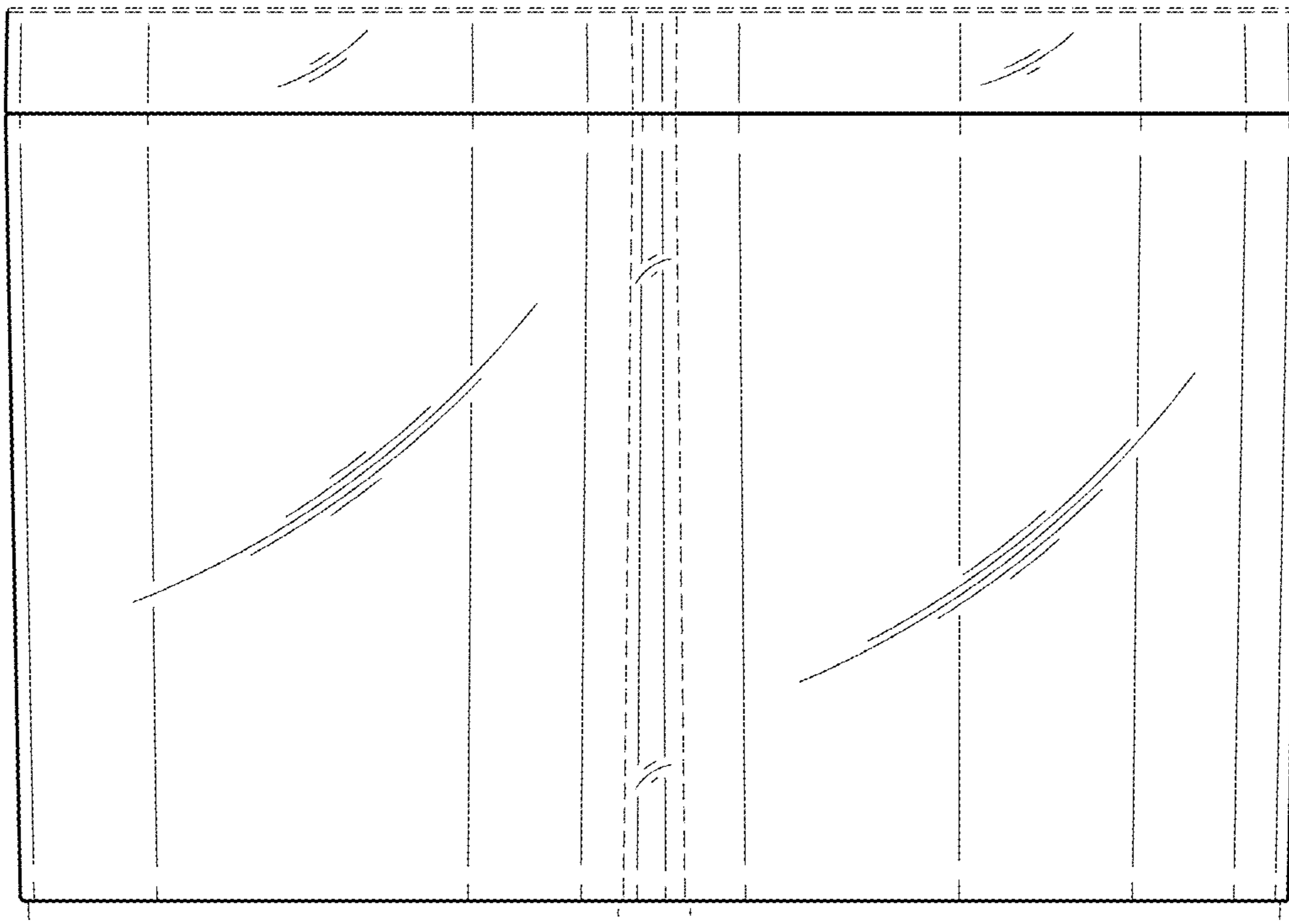


FIG. 5

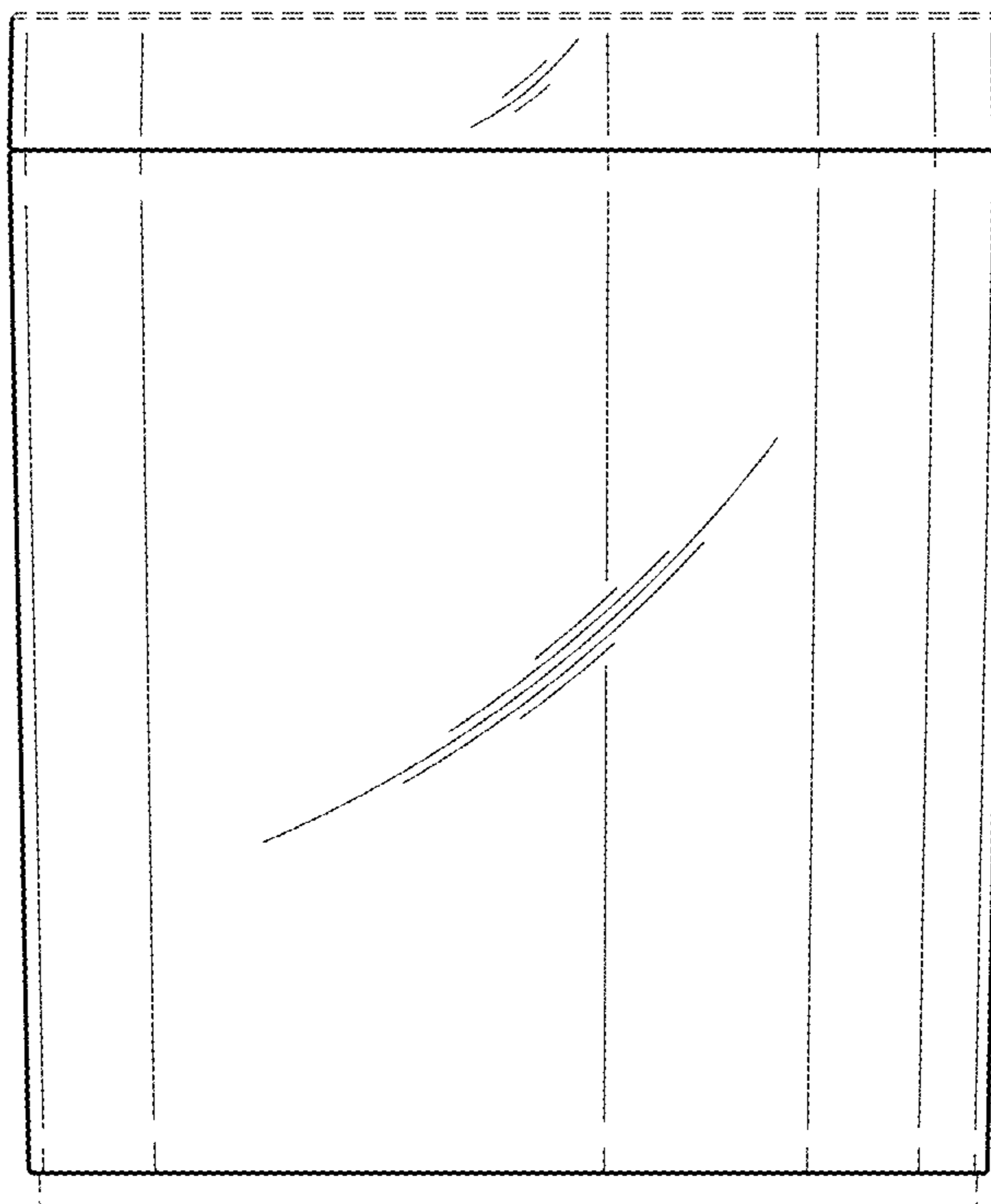


FIG. 6