



US00D974851S

(12) **United States Design Patent**
Shen

(10) **Patent No.:** **US D974,851 S**
(45) **Date of Patent:** **** Jan. 10, 2023**

- (54) **SPICE RACK**
- (71) Applicant: **Mengmeng Shen**, Xuzhou (CN)
- (72) Inventor: **Mengmeng Shen**, Xuzhou (CN)
- (73) Assignee: **Mengmeng Shen**, Xuzhou (CN)
- (**) Term: **15 Years**
- (21) Appl. No.: **29/840,494**
- (22) Filed: **May 30, 2022**
- (51) **LOC (14) Cl.** **07-09**
- (52) **U.S. Cl.**
USPC **D7/600.4**
- (58) **Field of Classification Search**
USPC D7/590, 600.1, 600.2, 600.3, 600.4, 387,
D7/401.1, 213; D6/512, 524, 525, 552,
D6/553, 556, 558, 566, 567, 569, 570,
D6/574; D9/737, 741, 756, 759, 760,
D9/761
CPC A47J 47/16; A47B 47/00; A47B 47/0091;
A47B 81/00; A47B 81/007; A47F 7/00;
A47F 5/10; A47F 5/13
See application file for complete search history.

D620,728 S *	8/2010	Snider	A47J 47/16 D7/600.1
D650,636 S *	12/2011	Roth	D7/707
D661,952 S *	6/2012	Tiemann	D7/600.1
D739,681 S *	9/2015	Bee	D7/600.4
D765,477 S *	9/2016	Camilotto	D7/701
D913,753 S *	3/2021	Zheng	D7/600.1
D931,684 S *	9/2021	Zeng	D7/600.4
D948,953 S *	4/2022	Liu	D7/600.4

OTHER PUBLICATIONS

SWOMMOLY Spice Rack | posted at Amazon.com, posted on Oct. 16, 2019, © 1996-2022 Amazon.com, [online], [site visited Sep. 29, 2022. Available from Internet, <URL: <https://www.amazon.com/Libbey> (Year: 2019).*

* cited by examiner

Primary Examiner — Andrew Kerr

(57) **CLAIM**

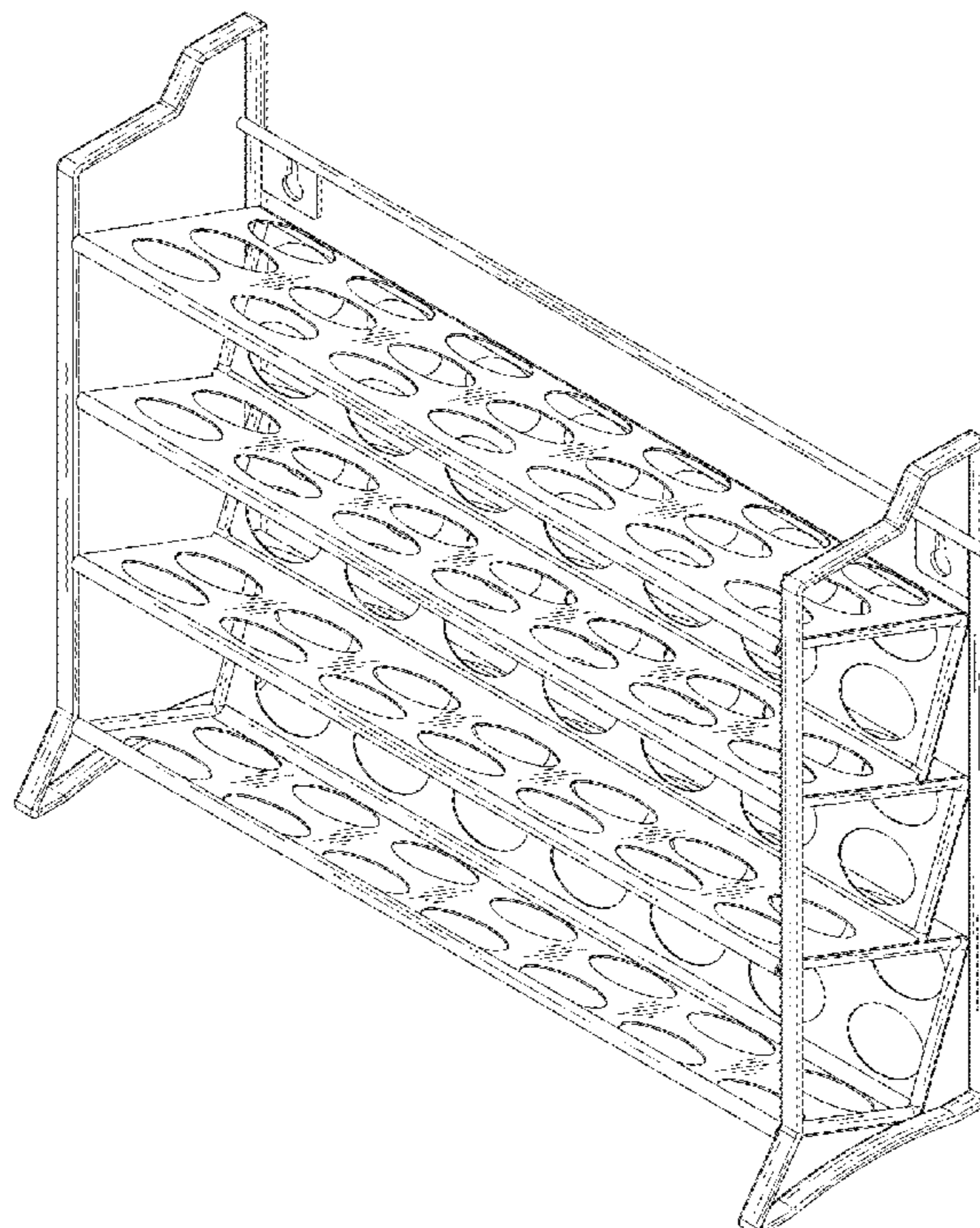
The ornamental design for a spice rack, as shown and described.

DESCRIPTION

FIG. 1 is a front perspective view of a spice rack, showing my new design;
FIG. 2 is a front view thereof;
FIG. 3 is a rear view thereof;
FIG. 4 is a right side view thereof;
FIG. 5 is a left side view thereof;
FIG. 6 is a bottom view thereof; and,
FIG. 7 is a top view thereof.

1 Claim, 7 Drawing Sheets

- (56) **References Cited**
U.S. PATENT DOCUMENTS
D325,849 S * 5/1992 Melcher D6/682.2
D426,117 S * 6/2000 Howitt D7/600.4
D509,691 S * 9/2005 Doran D6/571
7,506,771 B2 * 3/2009 Bianchini A47B 73/00
211/75
D590,183 S * 4/2009 Hensel D6/672
D593,810 S * 6/2009 Goodman D7/600.4



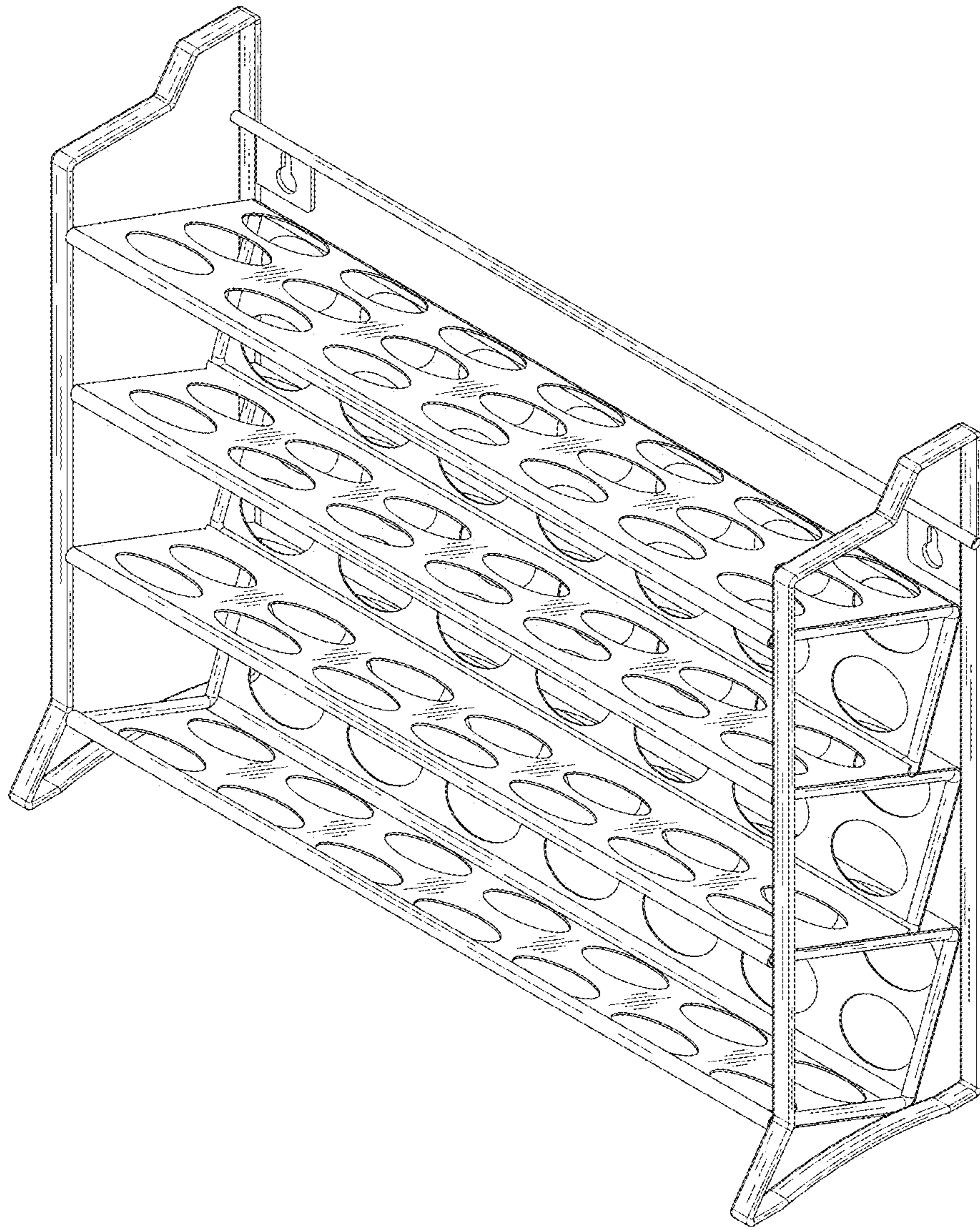


FIG. 1

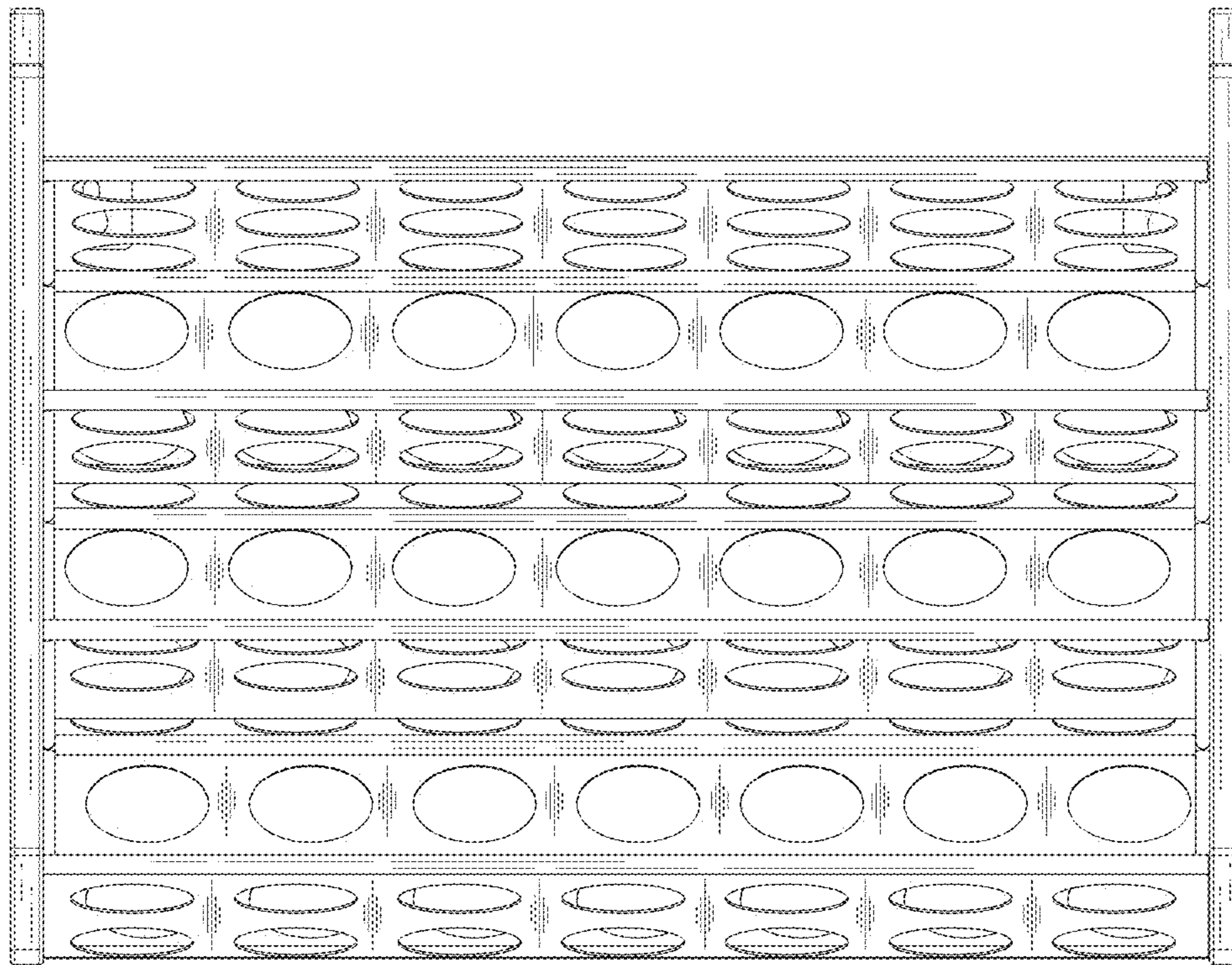


FIG. 2

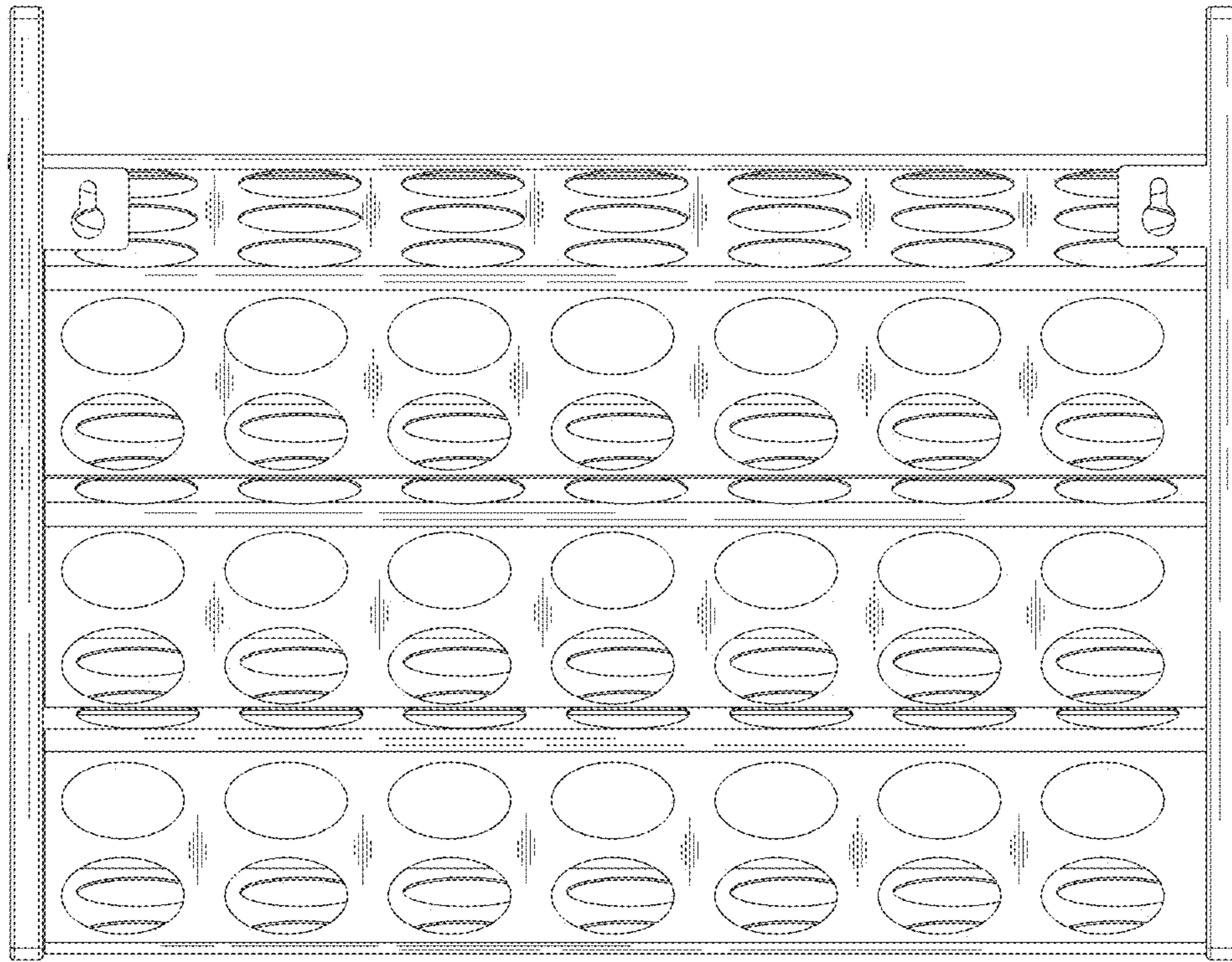


FIG. 3

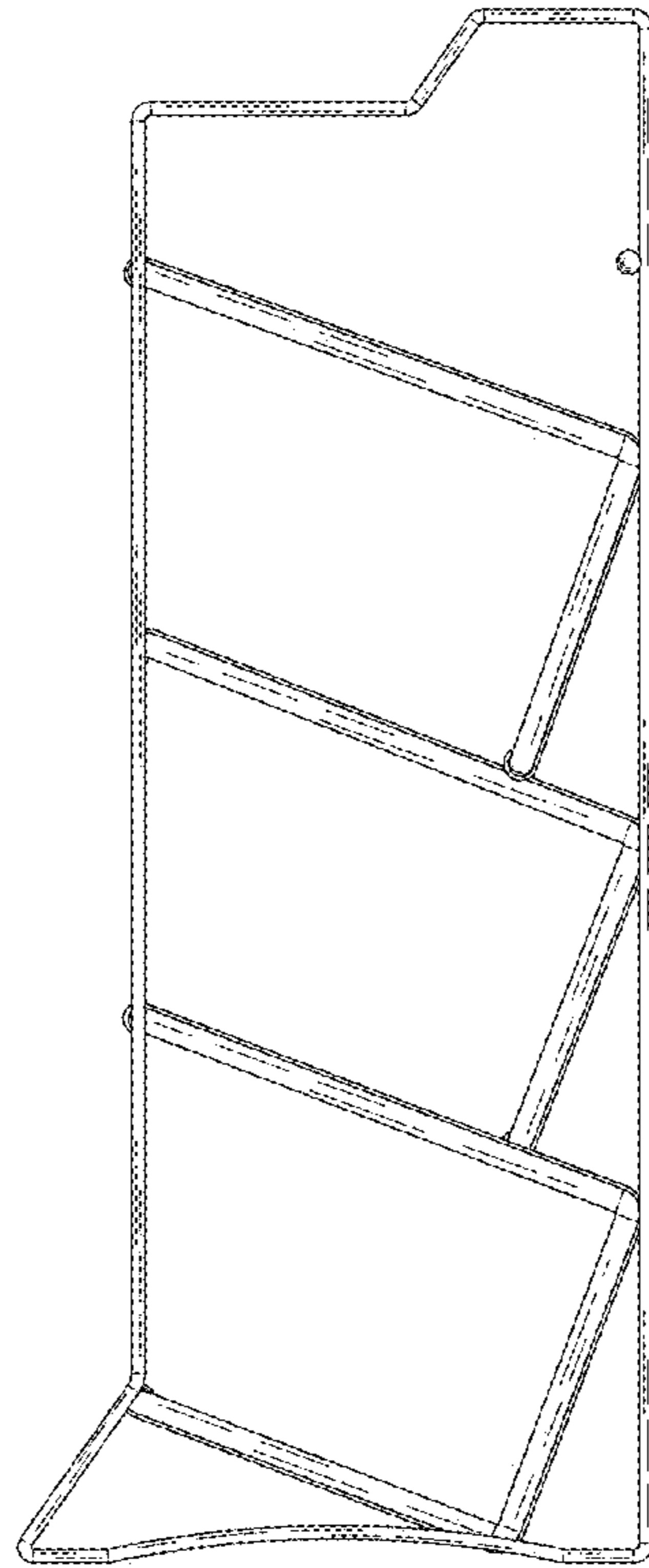


FIG. 4

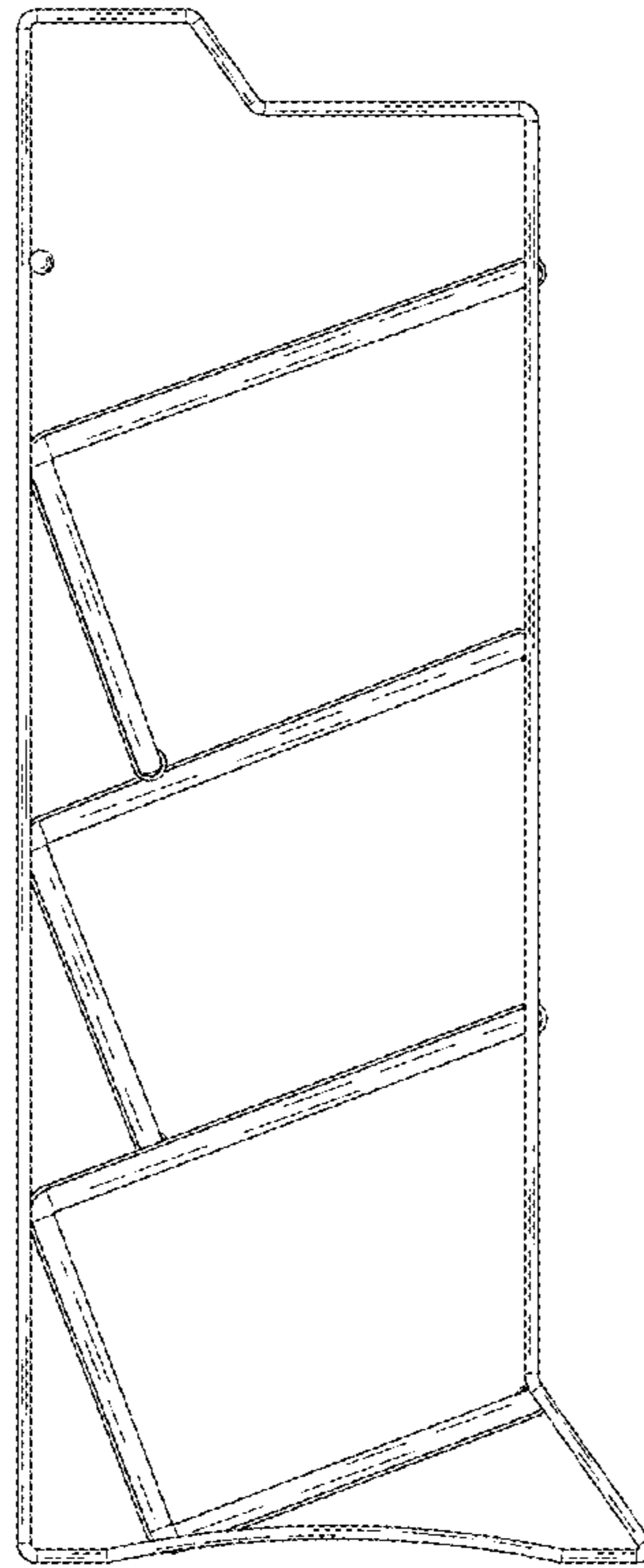


FIG. 5

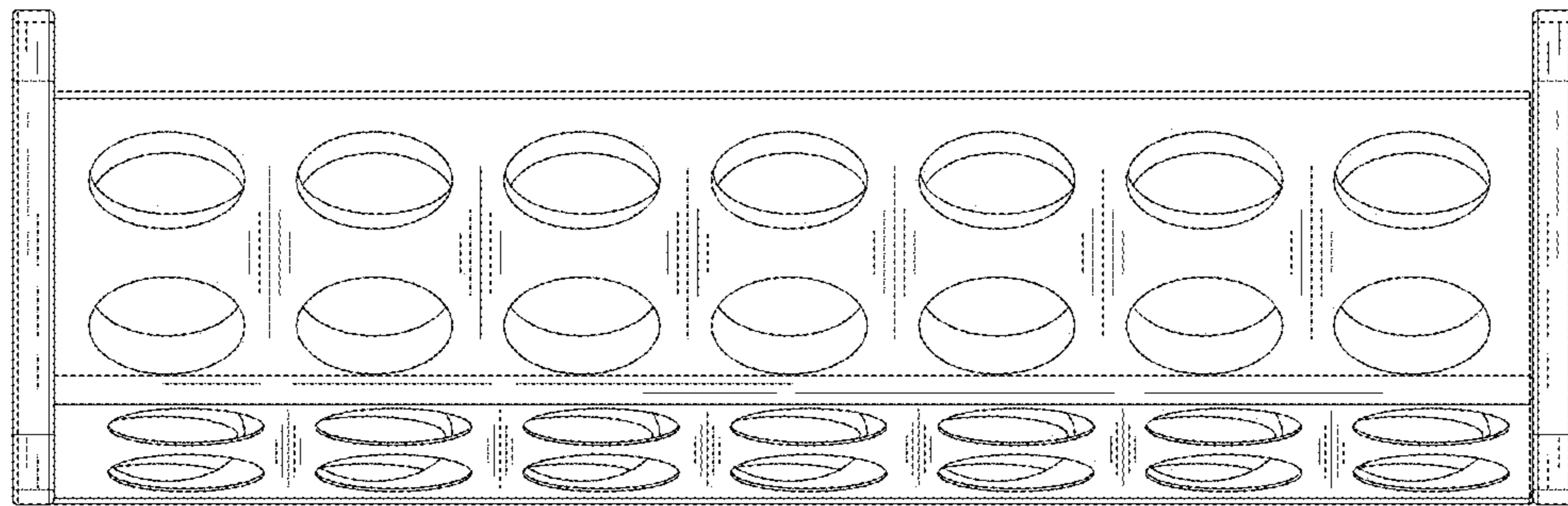


FIG. 6

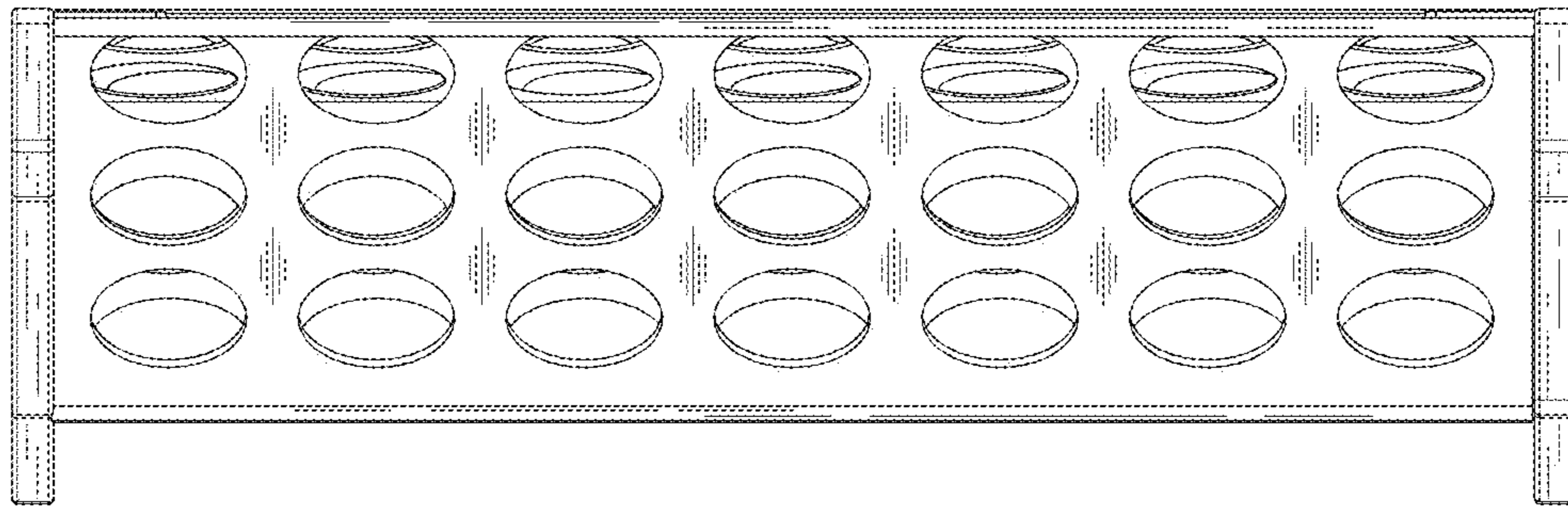


FIG. 7