



US00D974850S

(12) **United States Design Patent**
Lin et al.

(10) **Patent No.:** **US D974,850 S**
(45) **Date of Patent:** **** Jan. 10, 2023**

- (54) **BOWL WITH A BASE**
- (71) Applicant: **Olababy Incorporated**, Hillsboro, OR (US)
- (72) Inventors: **Qiao Lin**, Bellevue, WA (US); **Paul Wang**, Portland, OR (US)
- (73) Assignee: **OLABABY INCORPORATED**, Beaverton, OR (US)
- (**) Term: **15 Years**
- (21) Appl. No.: **29/726,996**

- (22) Filed: **Mar. 6, 2020**
- (51) **LOC (14) Cl.** **07-01**
- (52) **U.S. Cl.**
USPC **D7/584**; D7/587
- (58) **Field of Classification Search**
USPC D7/501, 610, 550.1, 554.1, 558, 500, D7/587, 584, 629, 585, 586, 588, 554.2, D7/630, 354, 543, 523, 505, 507, 527, D7/528, 531, 552.2; 108/142; 220/574.3, 781; D9/416, 500, 429, 428; 206/505; 366/130
CPC .. B65D 21/086; B65D 51/185; B65D 21/022; B65D 43/0208; A47G 19/2283; A47G 19/03; A47G 19/02; A47J 43/0727; A47J 27/002; F16B 47/00; F16B 2200/00; B66C 1/0212; F16M 13/022
See application file for complete search history.

- (56) **References Cited**
U.S. PATENT DOCUMENTS
D69,929 S * 4/1926 Zimmerman D7/584
2,170,311 A * 8/1939 Smith A47G 19/02
220/575
2,492,892 A * 12/1949 Schlumbohm A47J 27/002
D7/584
3,078,005 A * 2/1963 Lewerth A47G 19/02
D7/584

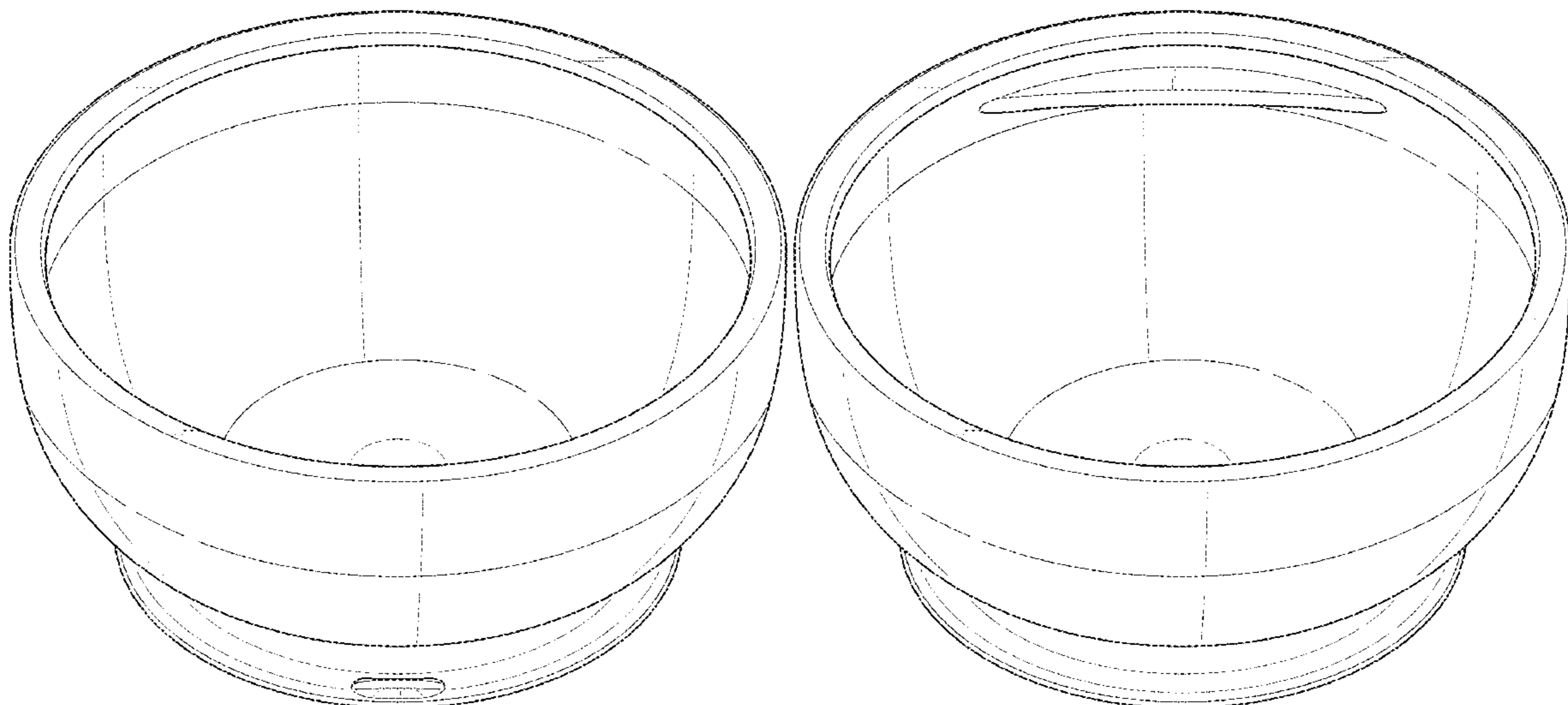
- D348,589 S * 7/1994 Cautereels D7/565
- D357,170 S * 4/1995 Wellsfry D8/349
- 5,813,638 A * 9/1998 Morris A47J 43/0727
220/636
- D466,256 S * 11/2002 Kaplan D30/129

(Continued)
Primary Examiner — Cynthia R Underwood
(74) *Attorney, Agent, or Firm* — Millburn IP PLLC

(57) **CLAIM**
The ornamental design for a bowl with a base, as shown and described.

DESCRIPTION
FIG. 1 is a front, top perspective view of a bowl with a base, showing our new design;
FIG. 2 is a back, top perspective view the bowl with a base of FIG. 1;
FIG. 3 is a left side, top perspective view of the bowl with a base of FIG. 1;
FIG. 4 is a right side, top perspective view of the bowl with a base of FIG. 1;
FIG. 5 is a top view of the bowl with a base of FIG. 1;
FIG. 6 is a cross-sectional view of the bowl with a base along the 6-6 line shown in FIG. 5;
FIG. 7 is a bottom view of the bowl with a base of FIG. 1;
FIG. 8 is a right side elevation view of the bowl with a base of FIG. 1;
FIG. 9 is a left side elevation view of the bowl with a base of FIG. 1;
FIG. 10 is a front side elevation view of the bowl with a base of FIG. 1;
FIG. 11 is a back side elevation view of the bowl with a base of FIG. 1; and,
FIG. 12 is a bottom perspective view of the bowl with a base of FIG. 1.
The broken line cross section marker in FIG. 5 forms no part of the claim.

1 Claim, 12 Drawing Sheets



(56)

References Cited

U.S. PATENT DOCUMENTS

6,530,661 B1 * 3/2003 Vorhis A47G 29/08
 351/158
 D511,437 S * 11/2005 Brown D9/429
 D521,319 S * 5/2006 Haataja D7/543
 D598,238 S * 8/2009 Durdon D7/354
 D613,124 S * 4/2010 Osborne A47G 19/06
 D7/587
 D628,443 S * 12/2010 McTaggart D7/545
 D645,705 S * 9/2011 Shamoon D7/584
 D702,338 S * 4/2014 Jones D23/393
 D714,126 S * 9/2014 Pyon D8/349
 D727,090 S * 4/2015 St. Jacques D7/387
 D732,891 S * 6/2015 Bonilla D30/129
 D735,534 S * 8/2015 Berlepsch D7/545
 D763,625 S * 8/2016 Wright D7/545
 D776,491 S * 1/2017 Goldfarb D7/630
 D783,365 S * 4/2017 Hsu D7/584
 D787,274 S * 5/2017 Gagnon D7/586
 D812,433 S * 3/2018 Kwok D7/553.4
 D836,399 S * 12/2018 Ko D7/584
 D840,760 S * 2/2019 Carrette D7/602
 D845,714 S * 4/2019 Wands D7/543
 D850,863 S * 6/2019 Miksovsky D7/584

D853,824 S * 7/2019 Kravchenko D8/354
 D862,988 S * 10/2019 Wiggins D7/587
 D878,154 S * 3/2020 Kim D7/505
 D879,106 S * 3/2020 Mecchella D14/251
 D879,561 S * 3/2020 Bal D7/545
 D880,946 S * 4/2020 Redjal D7/584
 D890,991 S * 7/2020 Makabi D28/99
 D917,973 S * 5/2021 Duffey D7/587
 D924,008 S * 7/2021 Kim D7/505
 D937,634 S * 12/2021 Bontrager D7/584
 D938,820 S * 12/2021 Sanders D9/454
 D939,898 S * 1/2022 Xu D7/587
 11,346,389 B2 * 5/2022 Chen F16B 47/00
 D953,816 S * 6/2022 Lin D7/608
 2006/0285428 A1 * 12/2006 Paradise A47J 43/0727
 366/130
 2008/0067180 A1 * 3/2008 Schanche A47G 19/02
 220/574
 2013/0320164 A1 * 12/2013 Pyon F16B 47/00
 248/206.3
 2014/0326723 A1 * 11/2014 Scharfe A47G 19/2283
 220/574
 2018/0332984 A1 * 11/2018 Wang A47G 19/02
 2018/0343826 A1 * 12/2018 Kumar A01K 5/0135
 2021/0145195 A1 * 5/2021 Hakim A47G 19/2261
 2021/0404510 A1 * 12/2021 Chen F16B 47/00

* cited by examiner

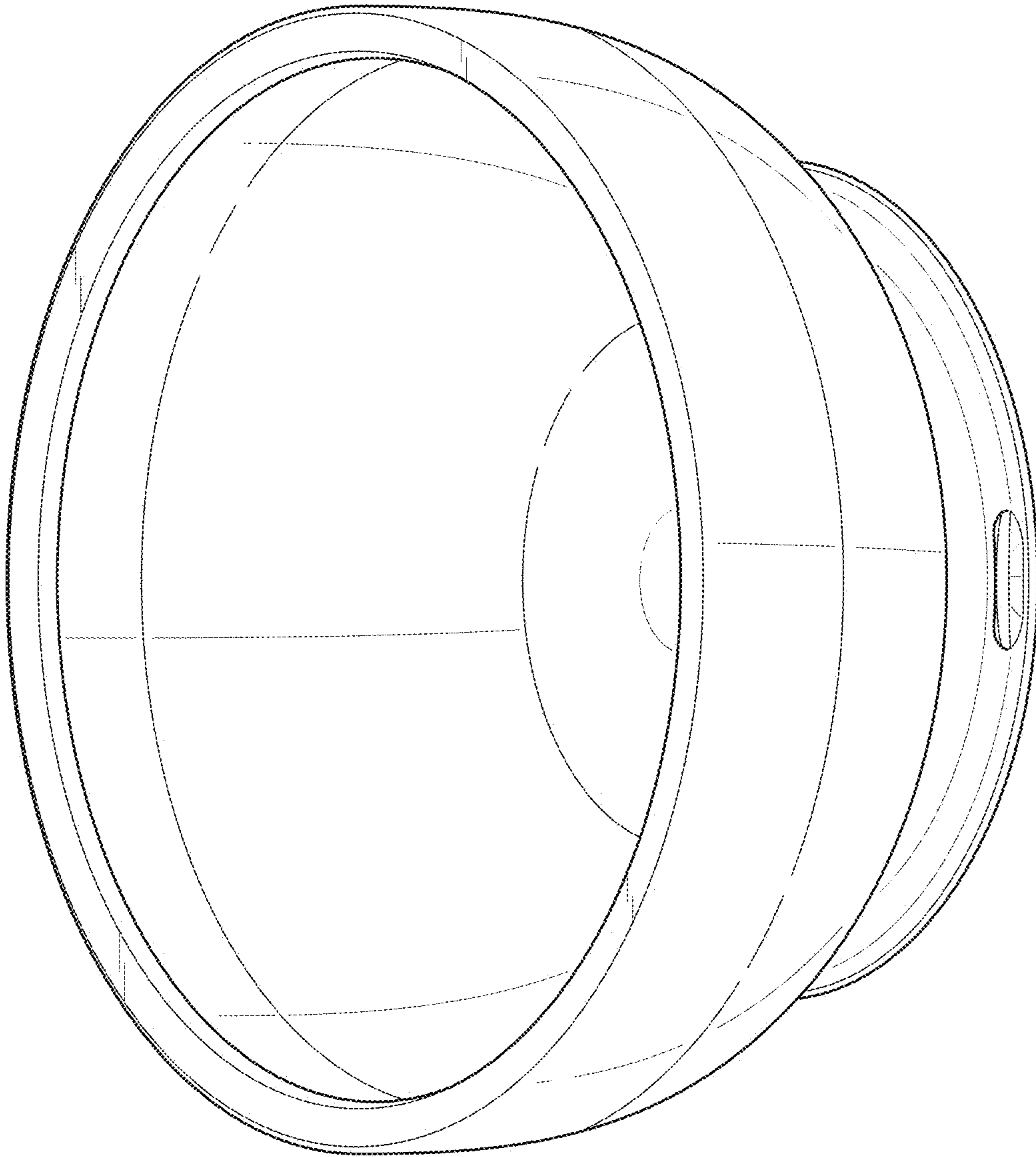


FIG. 1

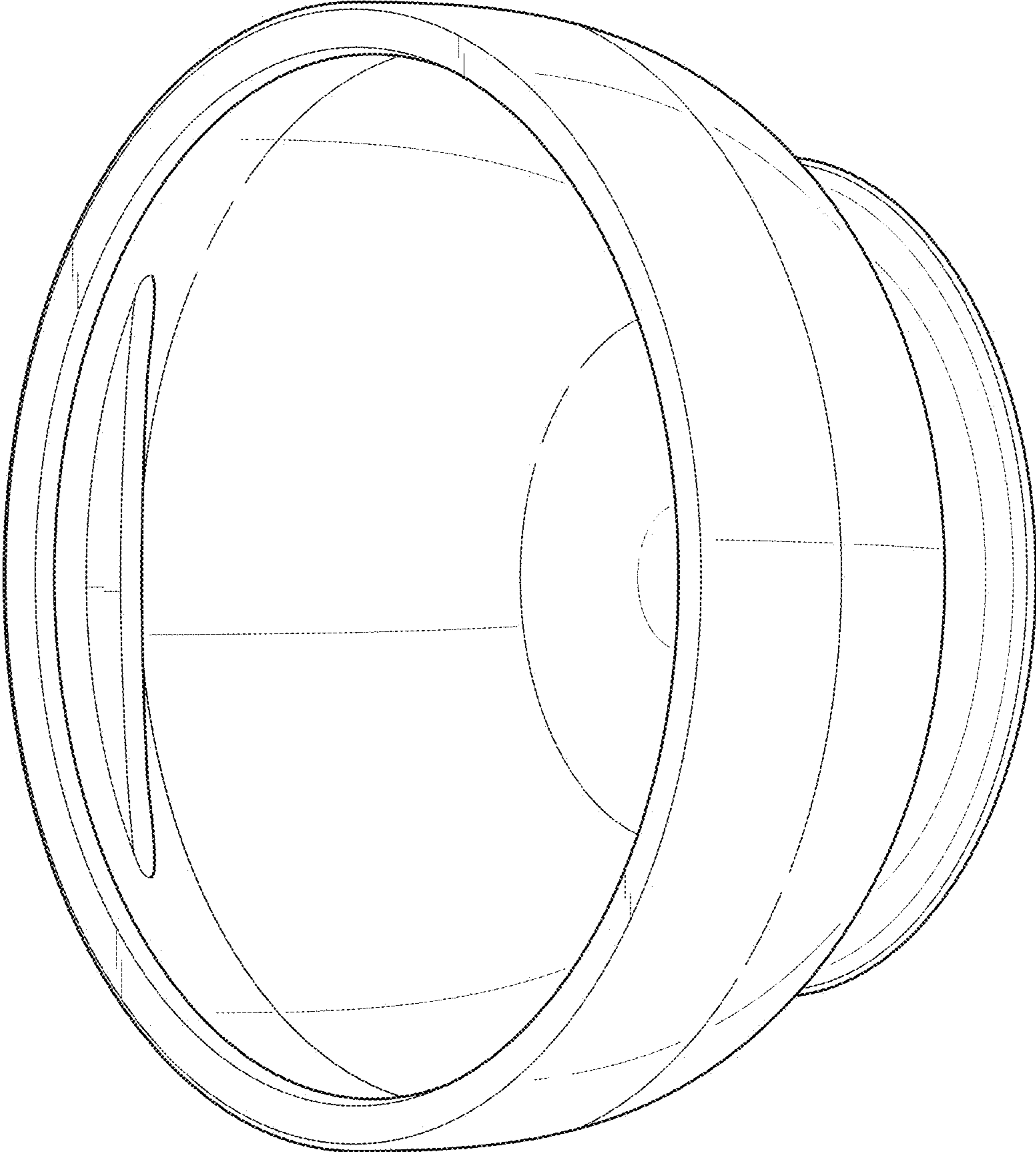


FIG. 2

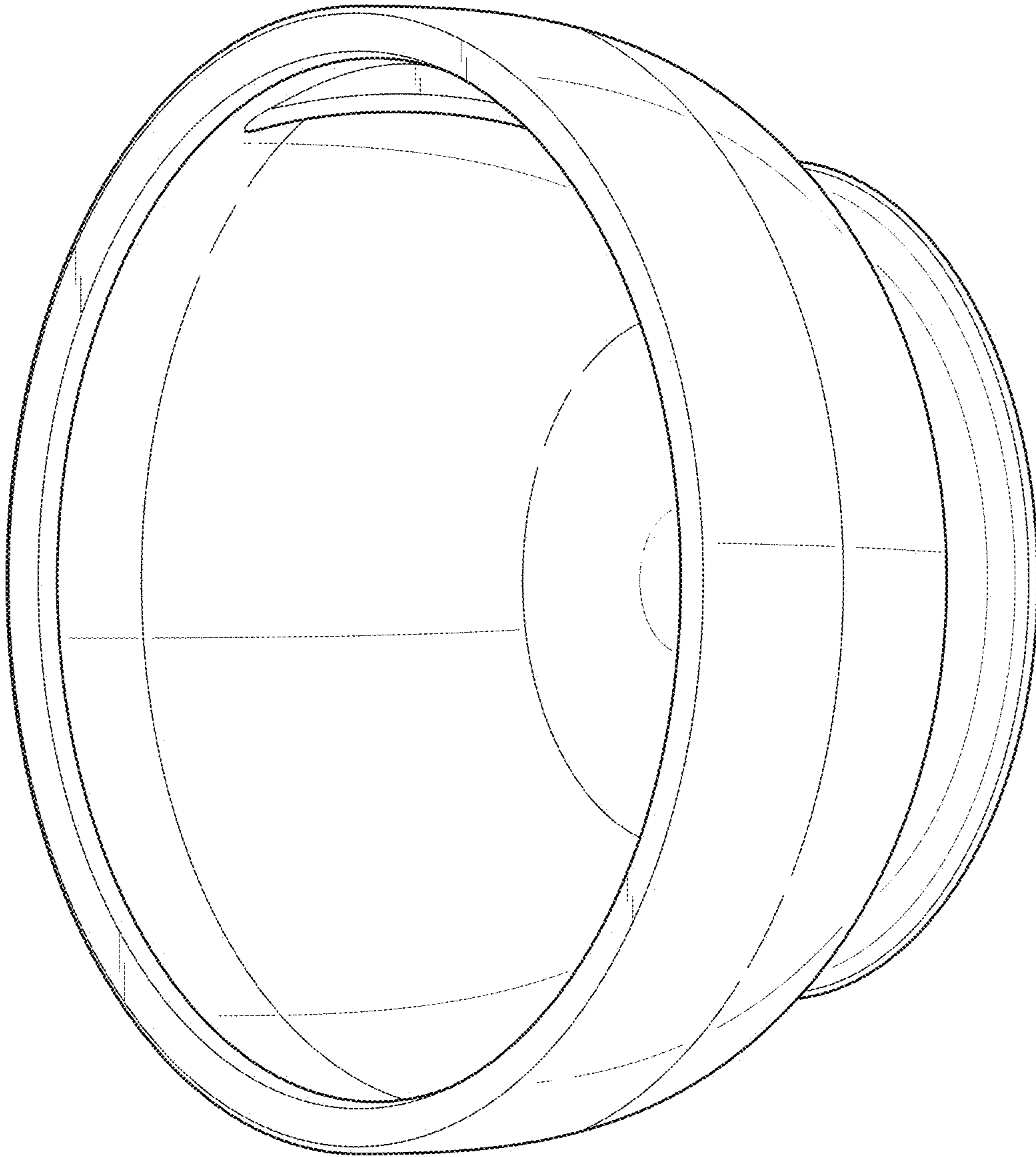


FIG. 3

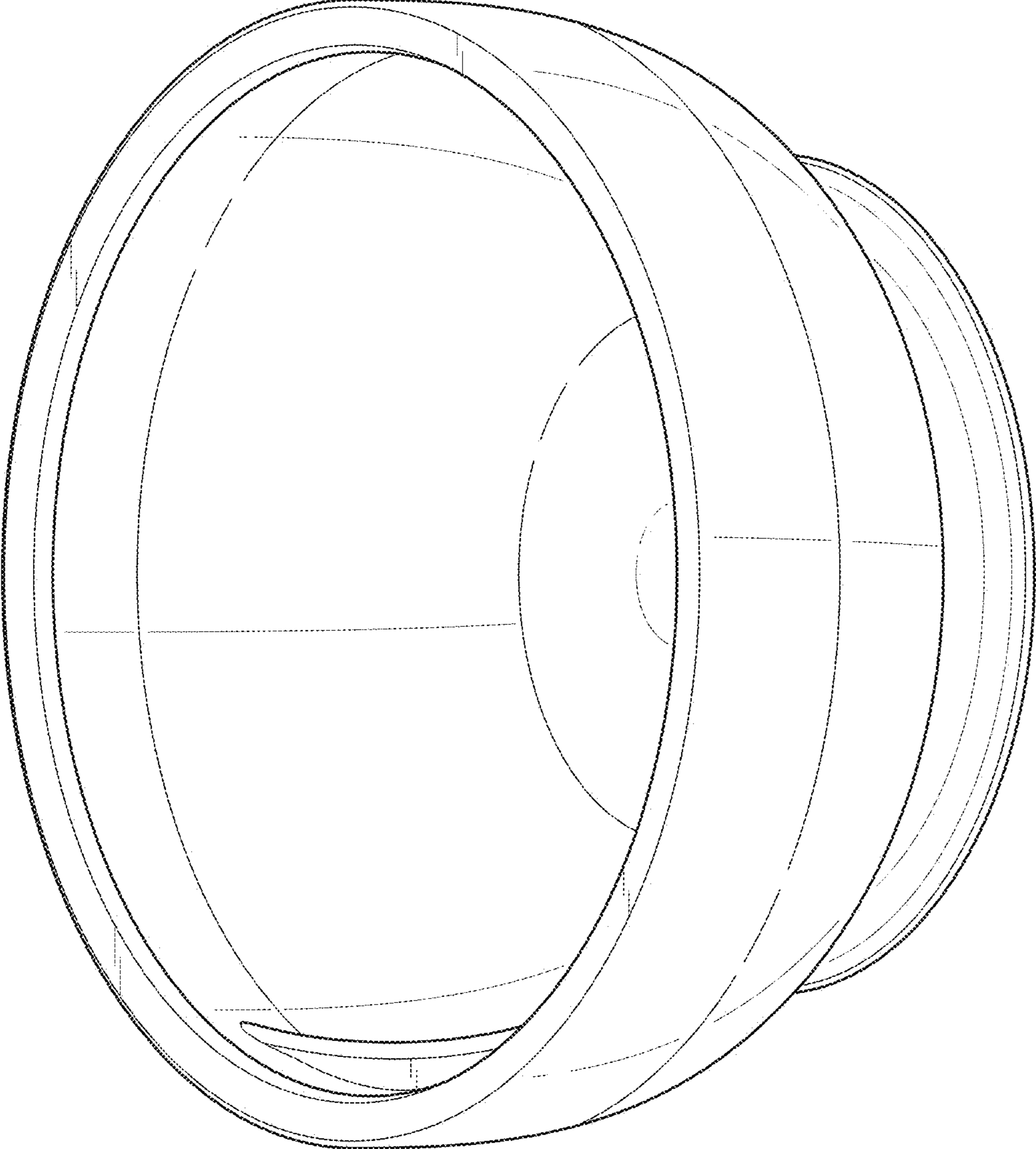
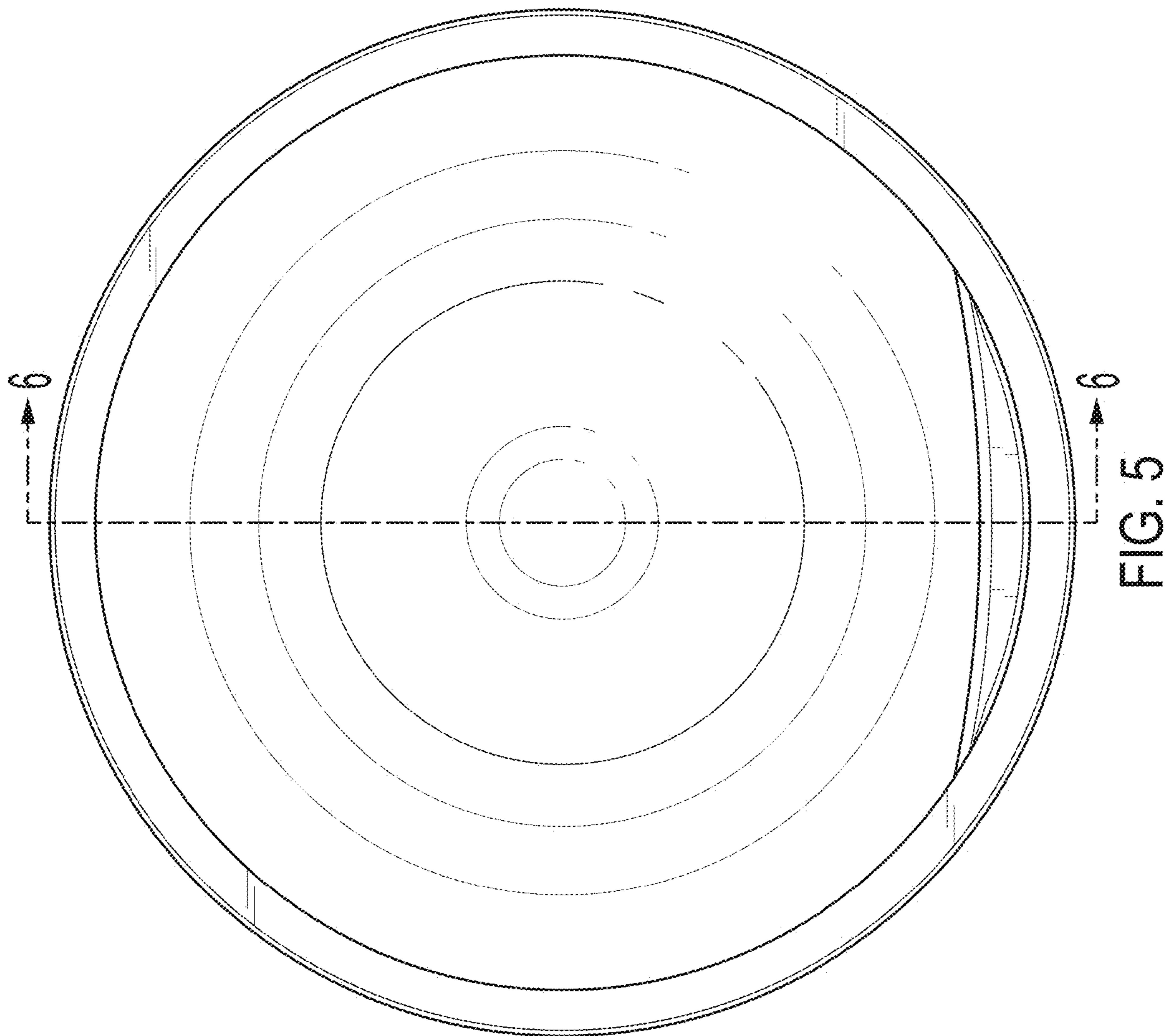


FIG. 4



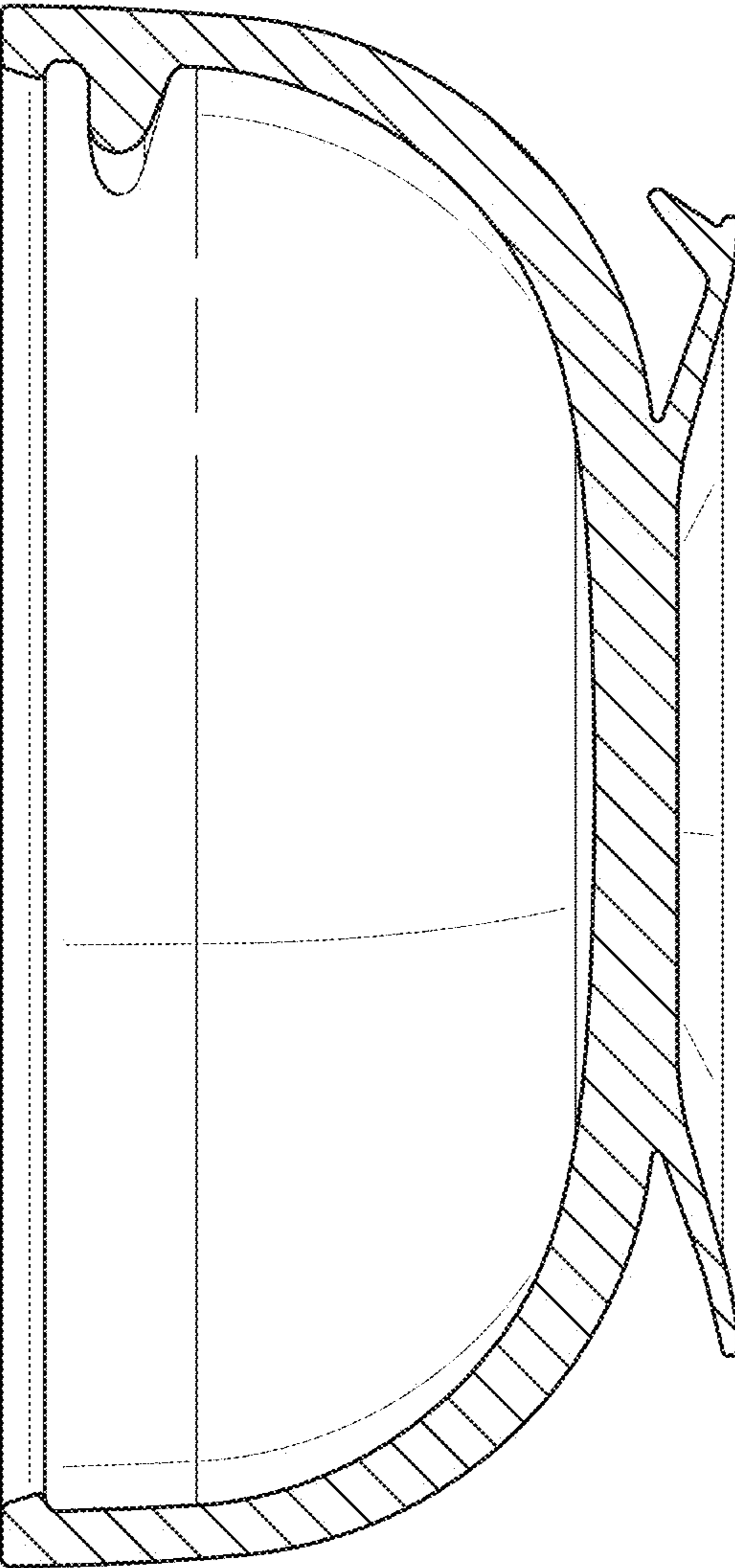


FIG. 6

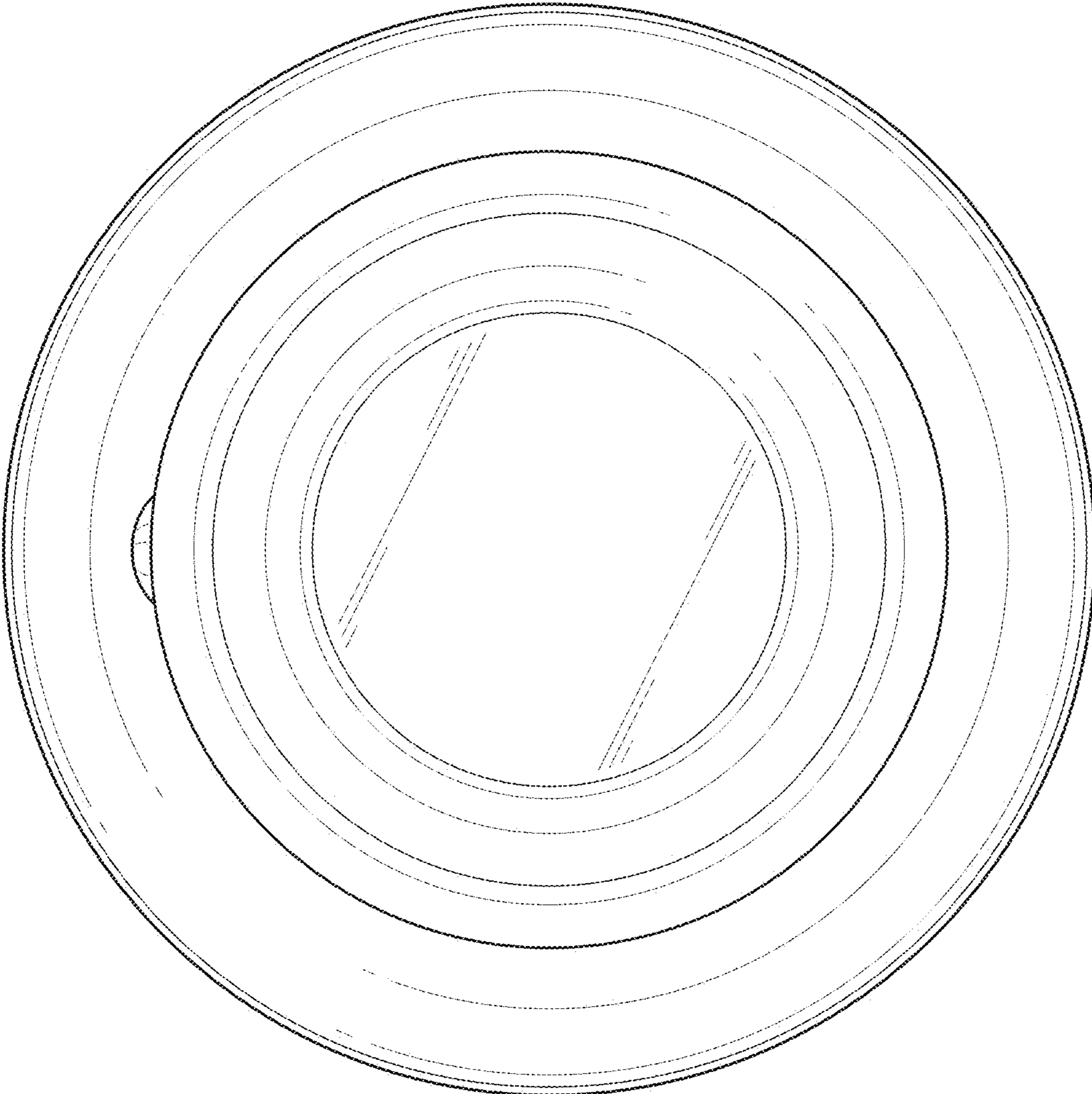


FIG. 7

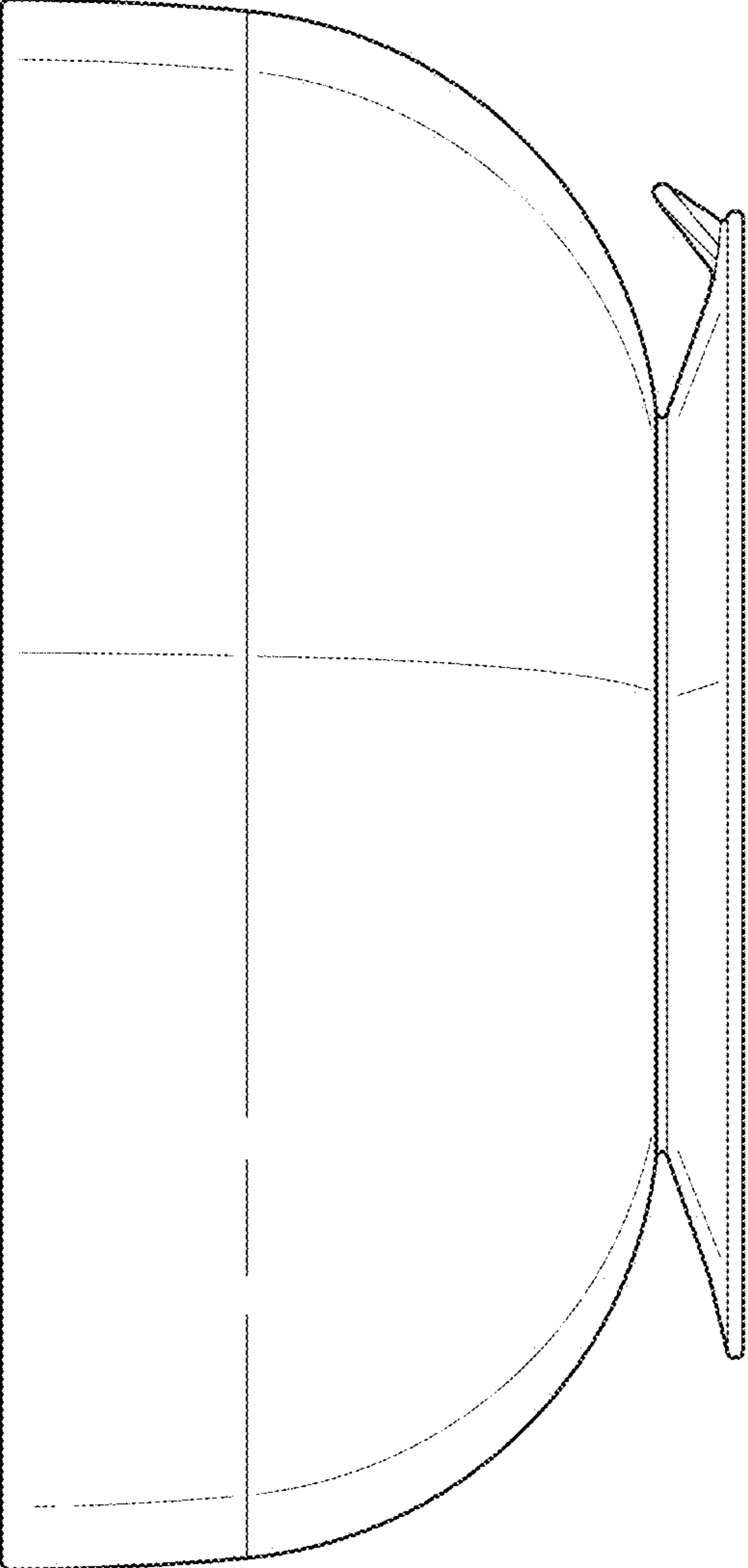


FIG. 8

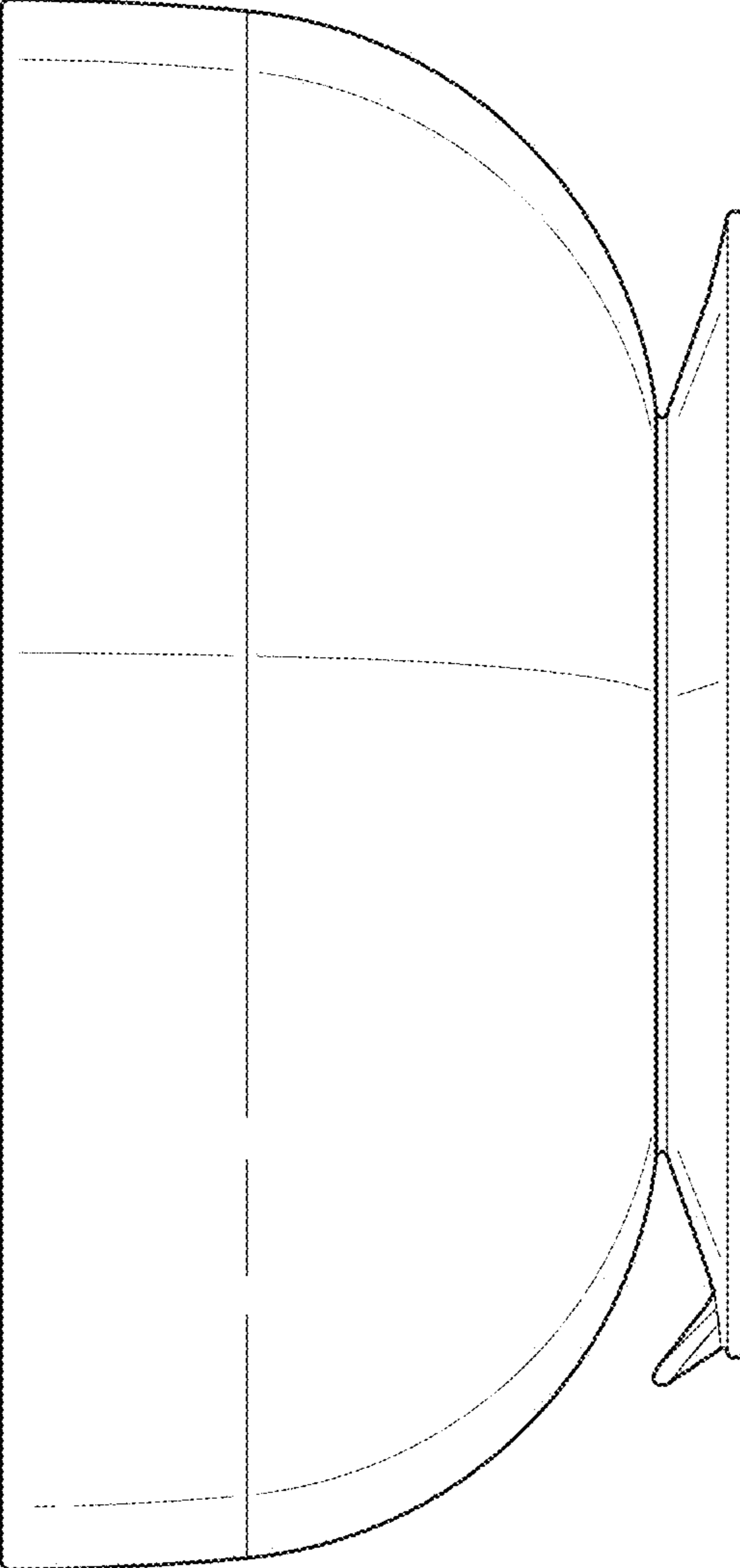


FIG. 9

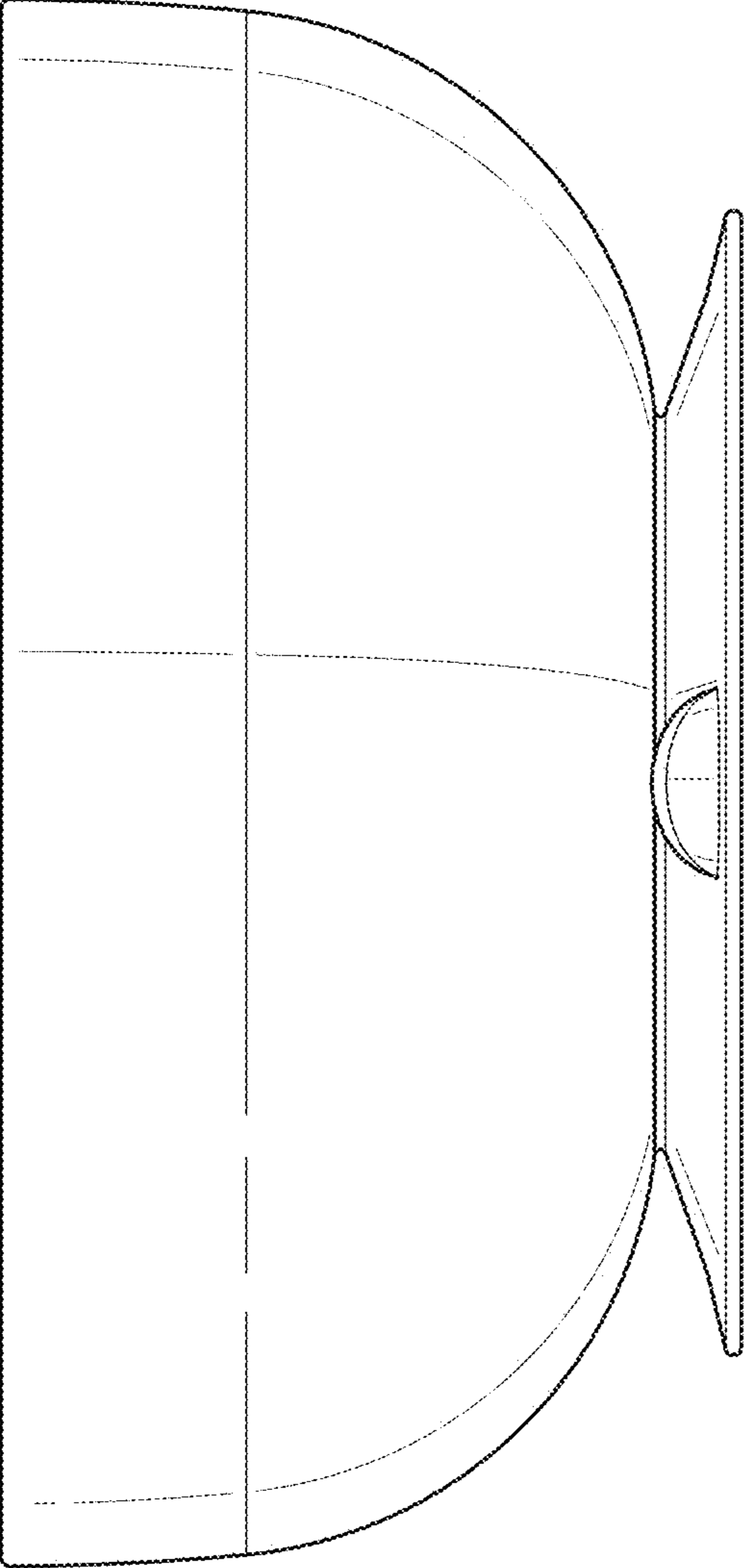


FIG. 10

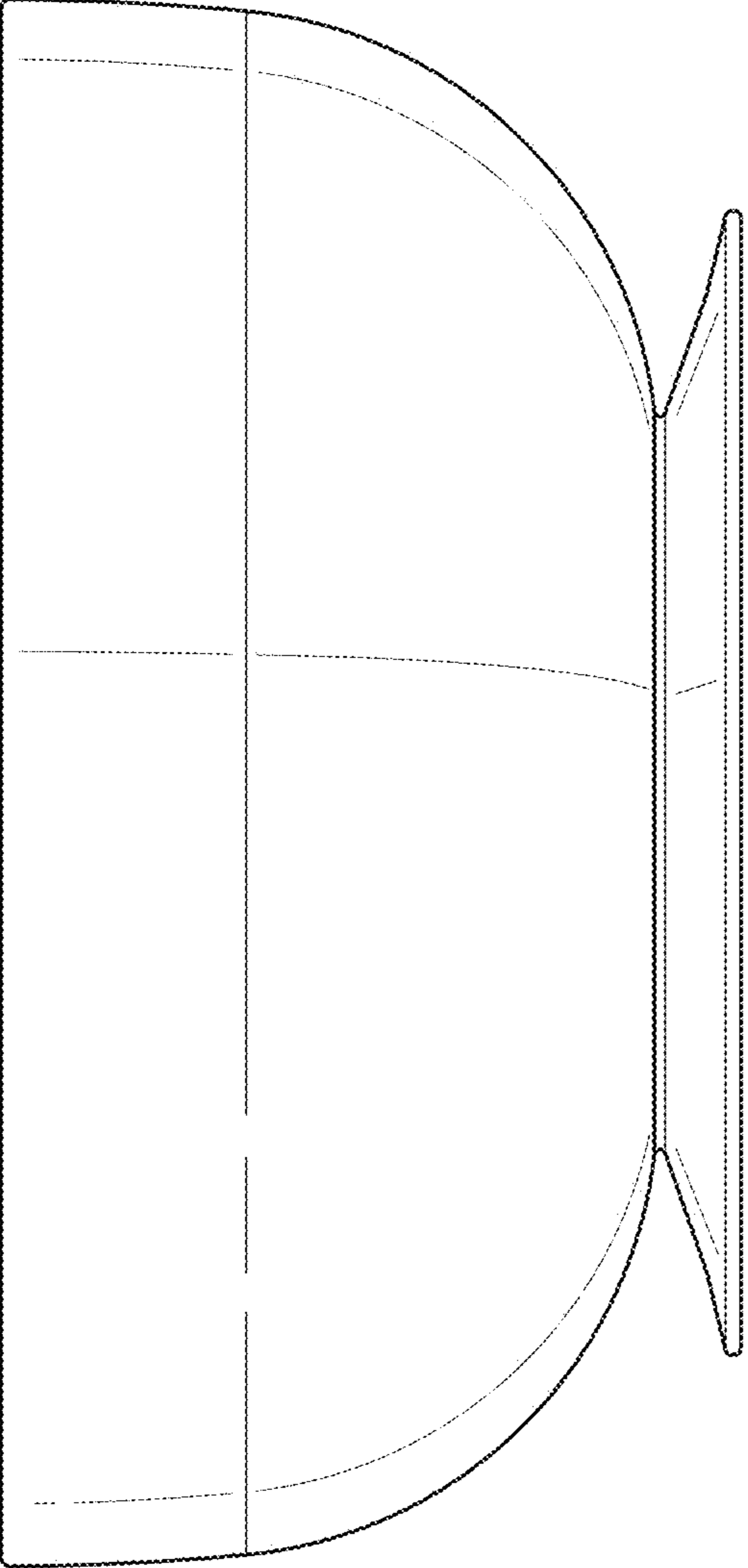


FIG. 11

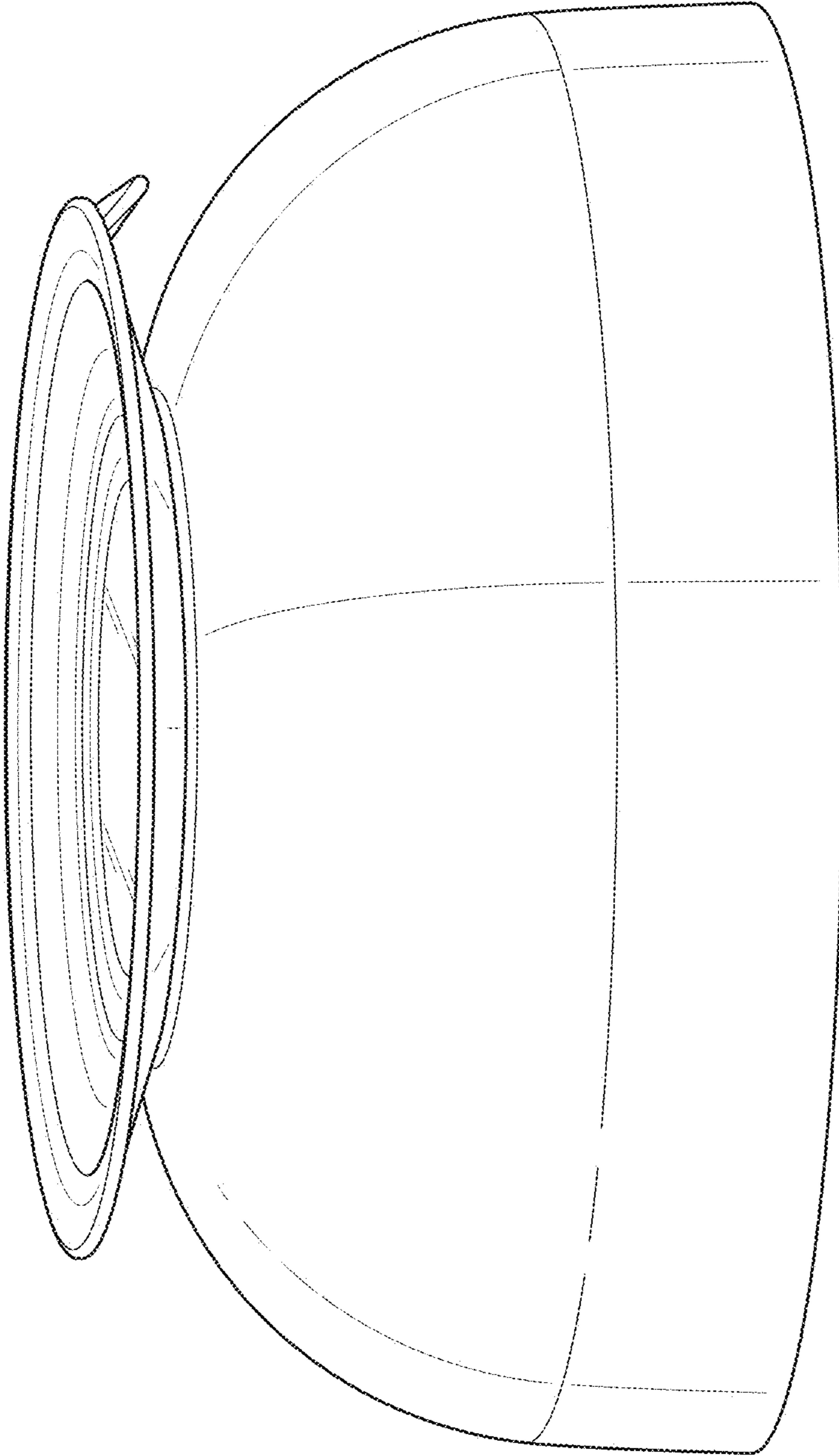


FIG. 12