



US00D974849S

(12) **United States Design Patent**
Lin et al.

(10) **Patent No.:** **US D974,849 S**
(45) **Date of Patent:** **** Jan. 10, 2023**

(54) **PLATE WITH A BASE**
(71) Applicant: **Olababy Incorporated**, Hillsboro, OR
(US)

D348,589 S * 7/1994 Cautereels D7/565
D357,170 S * 4/1995 Wellsfry D8/349
5,813,638 A * 9/1998 Morris A47J 43/0727
220/636

(Continued)

(72) Inventors: **Qiao Lin**, Bellevue, WA (US); **Paul Wang**, Portland, OR (US)

Primary Examiner — Cynthia R Underwood
(74) *Attorney, Agent, or Firm* — Millburn IP PLLC

(73) Assignee: **OLABABY INCORPORATED**,
Beaverton, OR (US)

(57) **CLAIM**

The ornamental design for a plate with a base, as shown and described.

(**) Term: **15 Years**

DESCRIPTION

(21) Appl. No.: **29/727,239**

FIG. 1 is a front, top perspective view of a plate with a base, showing our new design;

(22) Filed: **Mar. 9, 2020**

FIG. 2 is a back, top perspective view of the plate with a base of FIG. 1;

(51) **LOC (14) Cl.** **07-01**

(52) **U.S. Cl.**

USPC **D7/557; D7/505**

(58) **Field of Classification Search**

USPC D7/501, 610, 550.1, 554.1, 558, 500,

D7/587, 584, 629, 585, 586, 588, 554.2,

D7/630, 354, 543, 523, 505, 507, 527,

D7/528, 531, 552.2, 557, 555; 108/142;

220/574.3, 781, 574; D9/416, 500, 429,

D9/428; 206/505; 366/130; D30/129

CPC .. B65D 21/086; B65D 51/185; B65D 21/022;

B65D 43/0208; A47G 19/2283; A47G

19/03; A47G 19/02; A47J 43/0727; A47J

27/002; F16B 47/00; F16B 2200/00;

B66C 1/0212; F16M 13/022

See application file for complete search history.

FIG. 4 is a right side, top perspective view of plate with a base of FIG. 1;

FIG. 5 is a top view of the plate with a base of FIG. 1;

FIG. 6 is a cross-sectional view of the plate with a base along the 6-6 line shown in FIG. 5;

FIG. 7 is a cross-sectional view of the plate with a base along the 7-7 line shown in FIG. 5;

FIG. 8 is a left side elevation view of the plate with a base of FIG. 1;

FIG. 9 is a right side elevation view of the plate with a base of FIG. 1;

FIG. 10 is a front elevation view of the plate with a base of FIG. 1;

FIG. 11 is a back elevation view of the plate with a base of FIG. 1;

FIG. 12 is a bottom view of the plate with a base of FIG. 1; and,

FIG. 13 is a bottom perspective view of the plate with a base of FIG. 1.

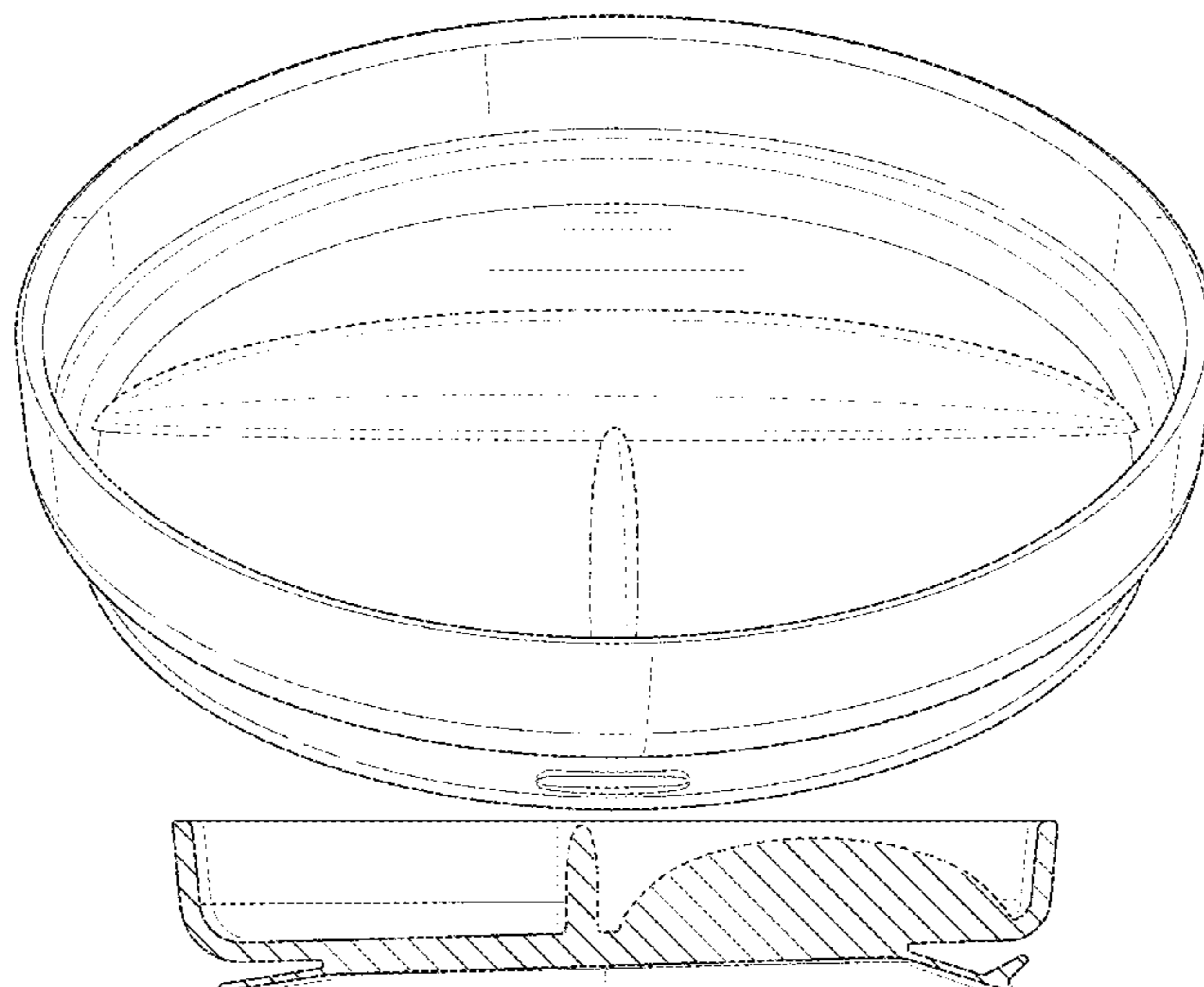
The broken lines depicting structure and those depicting cross section markers form no part of the claimed design.

(56) **References Cited**

U.S. PATENT DOCUMENTS

- 2,813,446 A * 11/1957 Botnick A47G 19/025
84/95.2
- 3,078,005 A * 2/1963 Lewerth A47G 19/02
D7/584
- 3,773,212 A * 11/1973 Sekuler A47G 19/02
220/575

1 Claim, 13 Drawing Sheets



(56)

References Cited

U.S. PATENT DOCUMENTS

D466,256 S *	11/2002	Kaplan	D30/129	D924,008 S *	7/2021	Kim	D7/505
6,530,661 B1 *	3/2003	Vorhis	A47G 29/08	D931,054 S *	9/2021	Miller	D7/557
				351/158	D938,820 S *	12/2021	Sanders	D9/454
D496,829 S *	10/2004	Guzzini	D7/553.6	11,346,389 B2 *	5/2022	Chen	F16B 47/00
D613,127 S *	4/2010	Olivari	D7/587	D953,816 S *	6/2022	Lin	D7/608
D628,443 S *	12/2010	McTaggart	D7/545	2006/0285428 A1 *	12/2006	Paradise	A47J 43/0727
D702,338 S *	4/2014	Jones	D23/393					366/130
D714,126 S *	9/2014	Pyon	D8/349	2008/0067180 A1 *	3/2008	Schanche	A47G 19/02
D727,090 S *	4/2015	St. Jacques	D7/387					220/574
D732,891 S *	6/2015	Bonilla	D30/129	2013/0320164 A1 *	12/2013	Pyon	F16B 47/00
D753,443 S *	4/2016	Mock	D7/555					248/206.3
D812,433 S *	3/2018	Kwok	D7/553.4	2014/0326723 A1 *	11/2014	Scharfe	A47G 19/2283
D836,399 S *	12/2018	Ko	D7/584					220/574
D853,824 S *	7/2019	Kravchenko	D8/354	2015/0090726 A1 *	4/2015	Reichel	A47G 19/02
D878,154 S *	3/2020	Kim	D7/505					220/575
D879,106 S *	3/2020	Mecchella	D14/251	2018/0332984 A1 *	11/2018	Wang	A47G 19/02
D890,991 S *	7/2020	Makabi	D28/99	2018/0343826 A1 *	12/2018	Kumar	A01K 5/0135
					2021/0145195 A1 *	5/2021	Hakim	A47G 19/2261
					2021/0404510 A1 *	12/2021	Chen	F16B 47/00

* cited by examiner

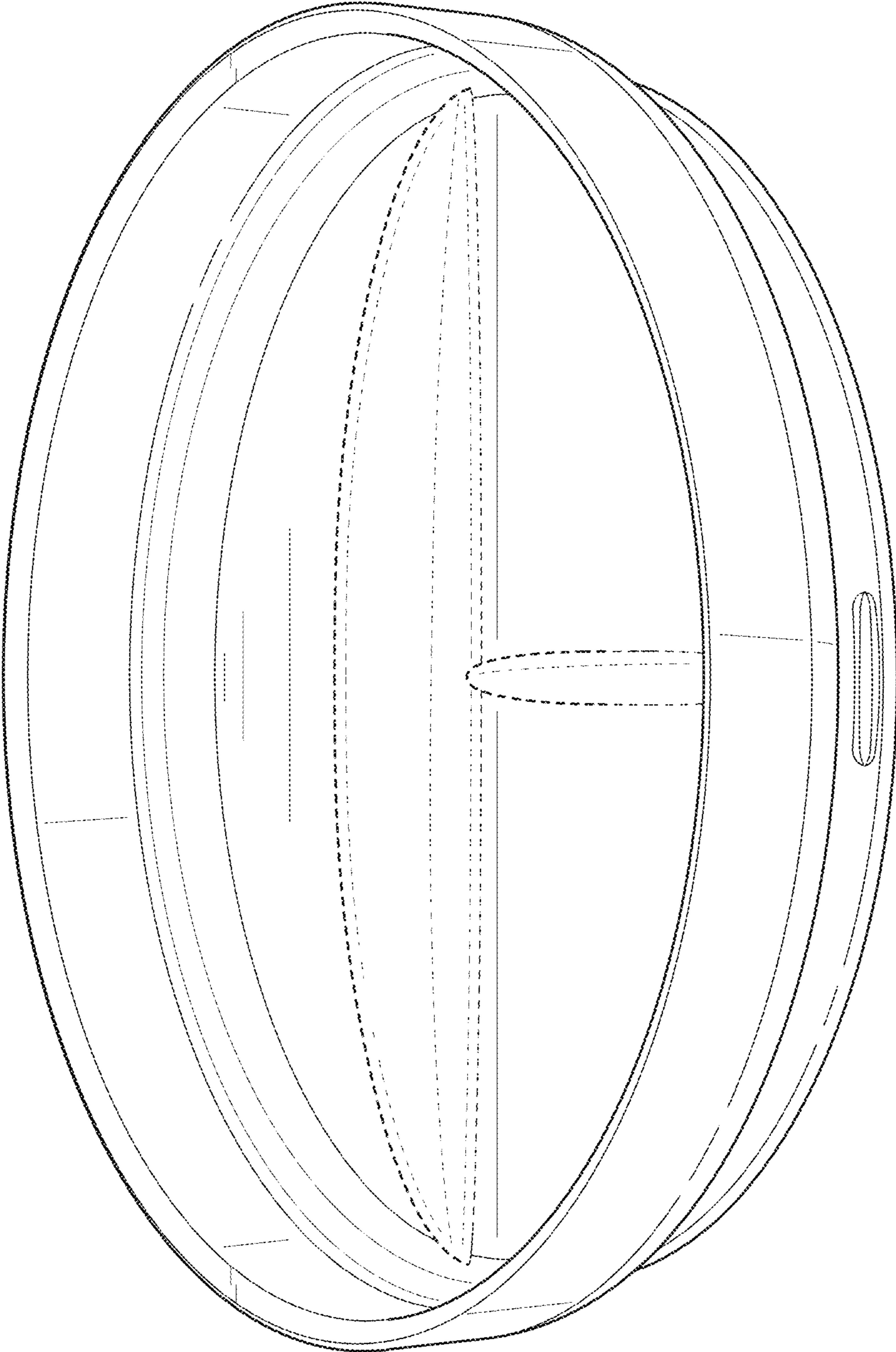


FIG. 1

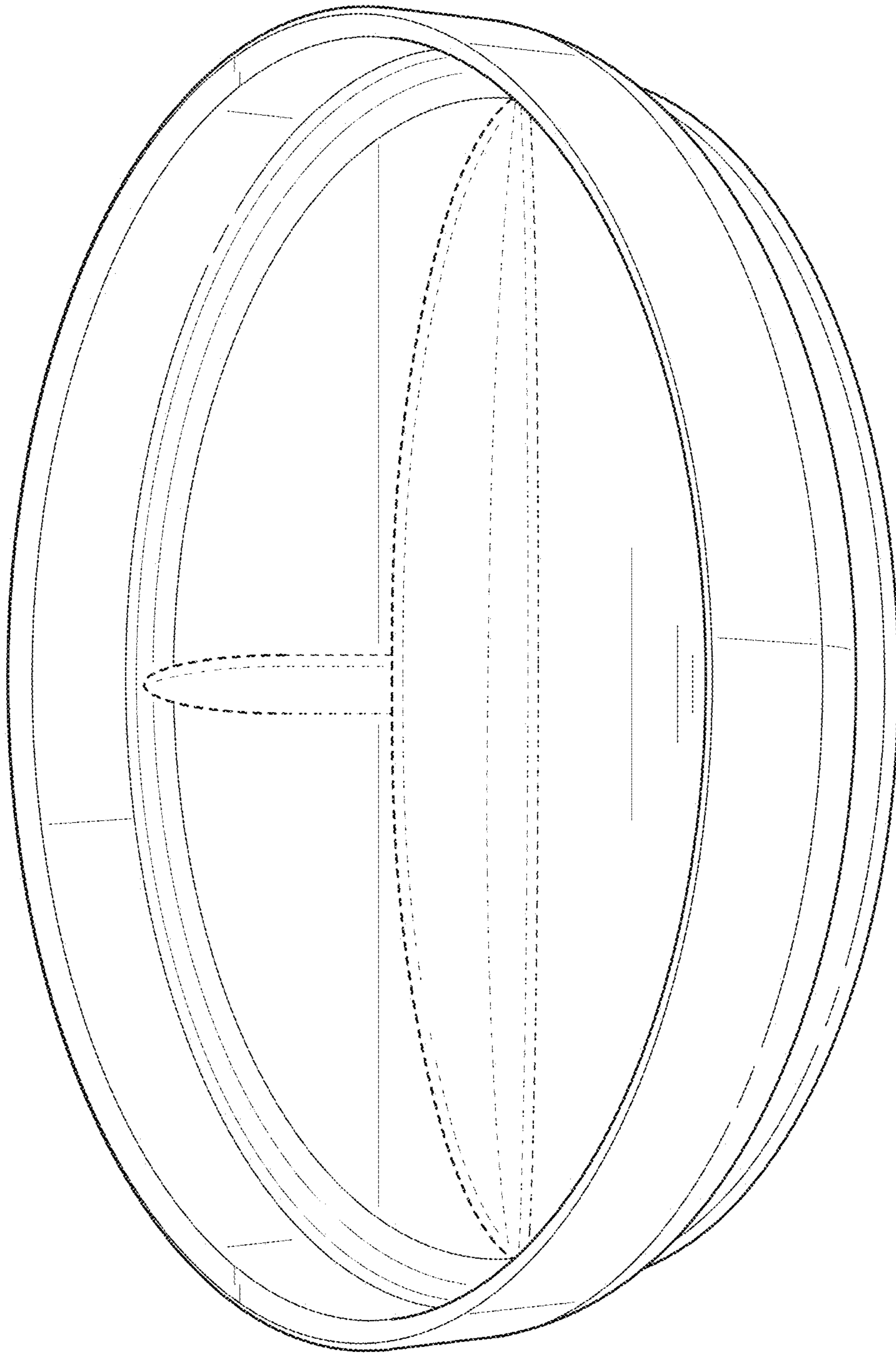


FIG. 2

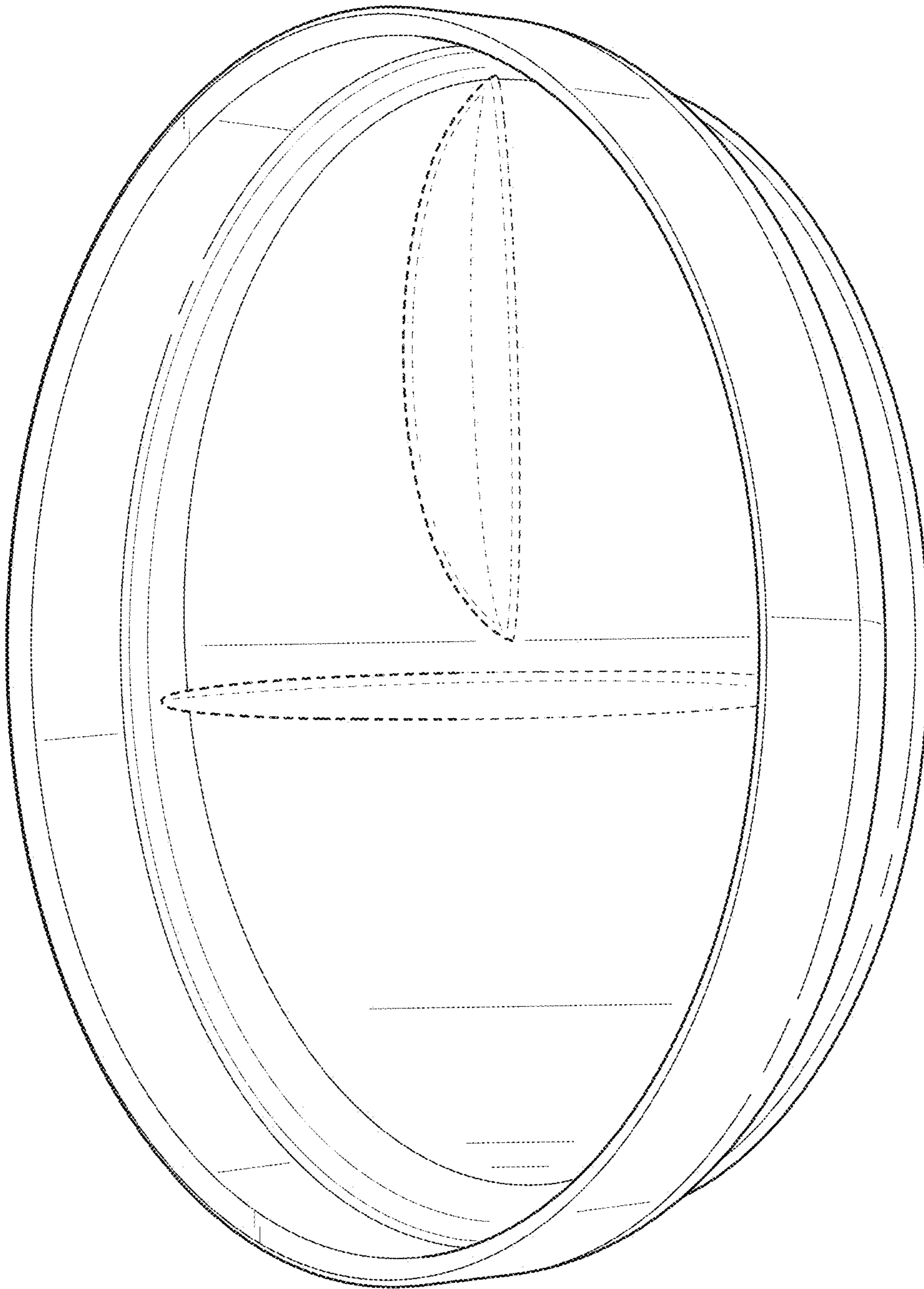


FIG. 3

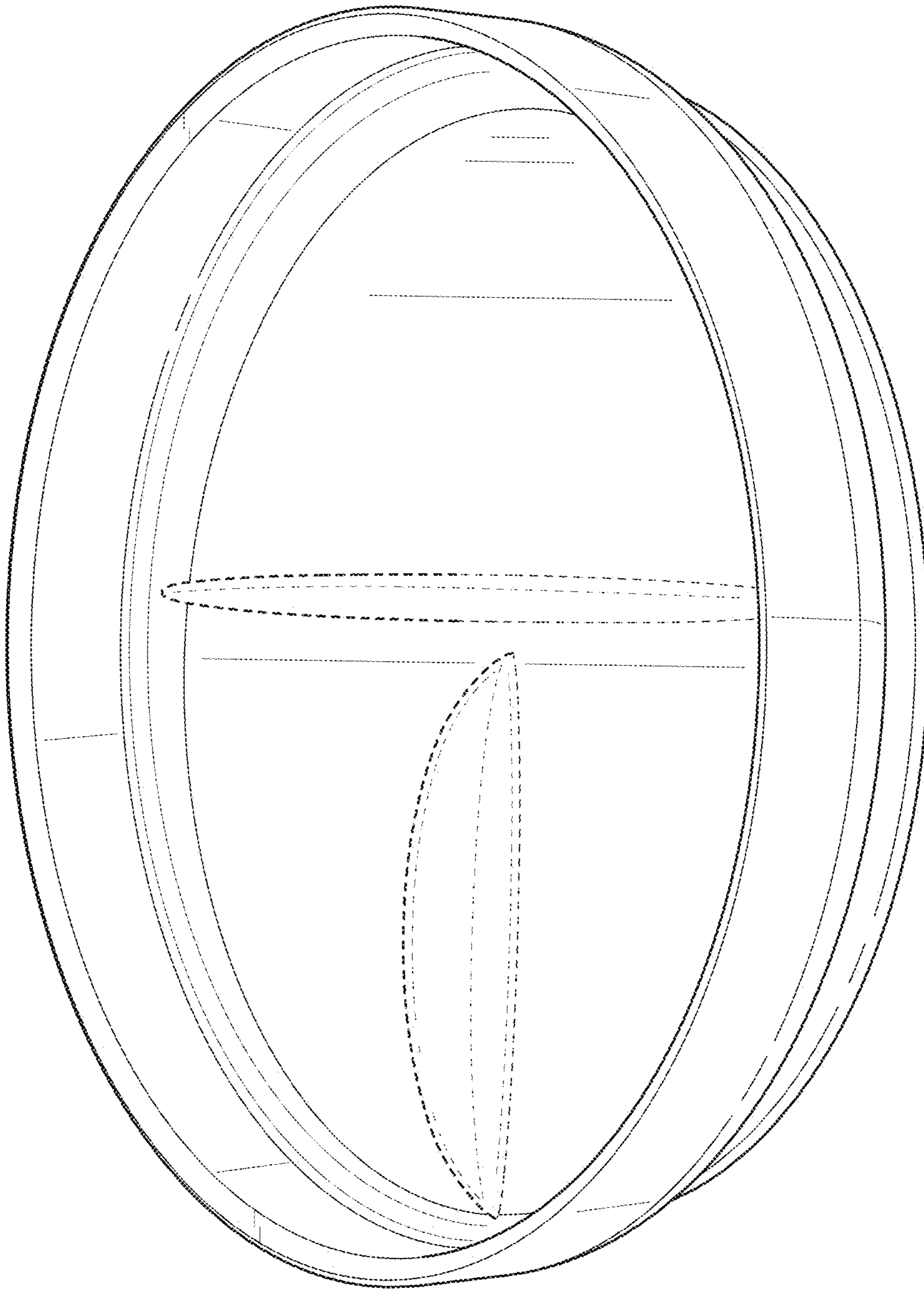


FIG. 4

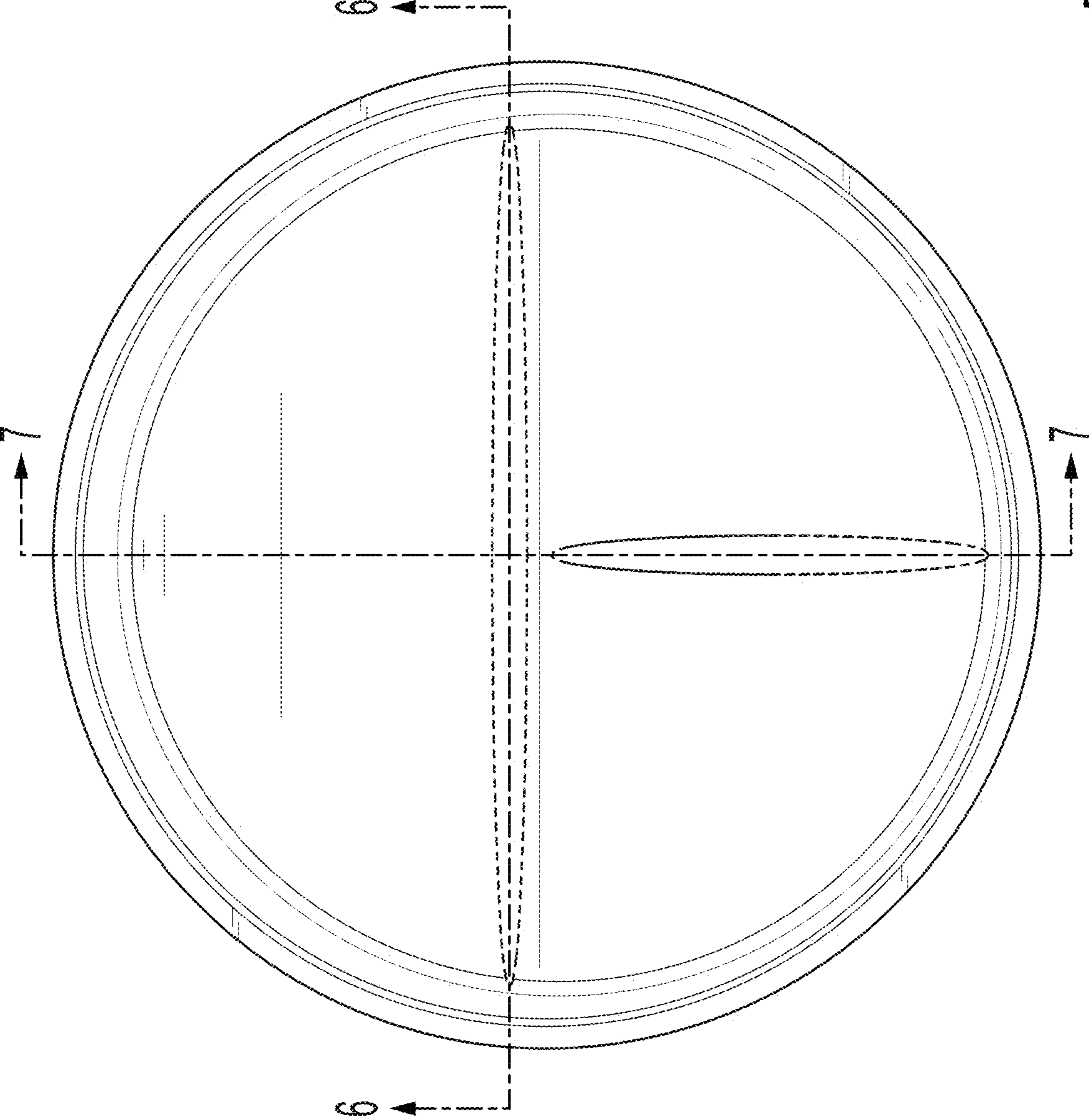


FIG. 5

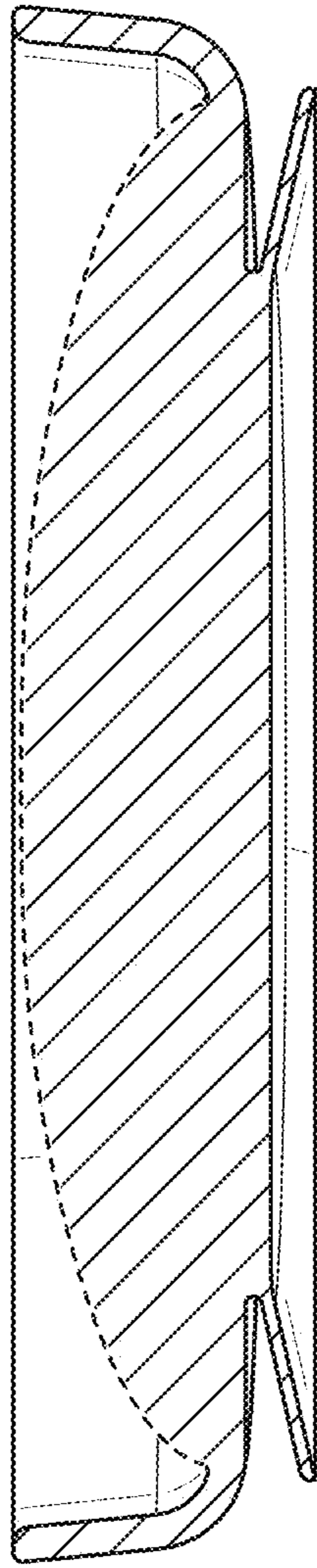


FIG. 6

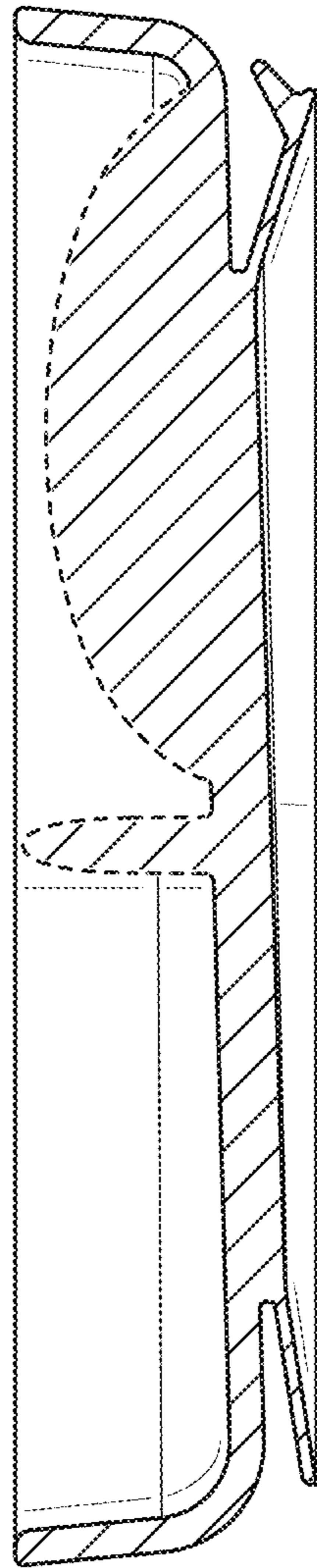


FIG. 7

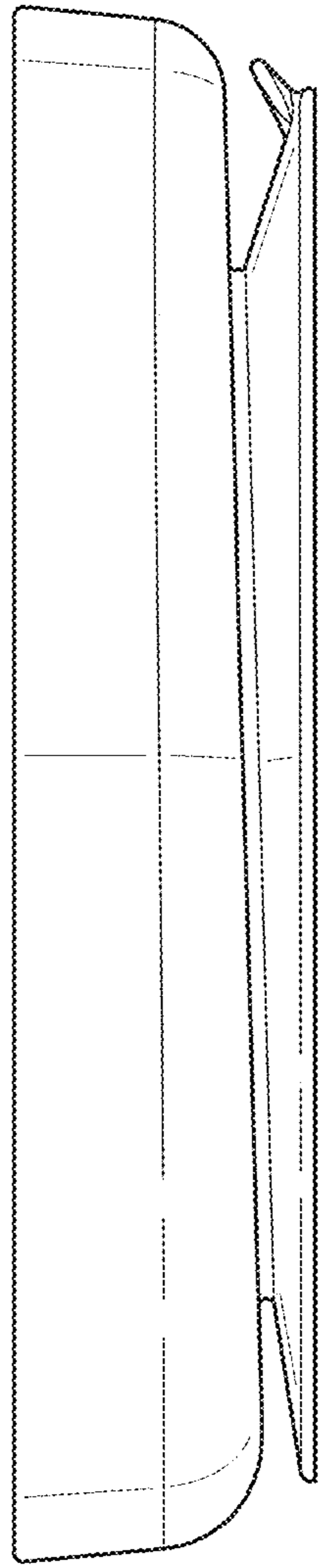


FIG. 8

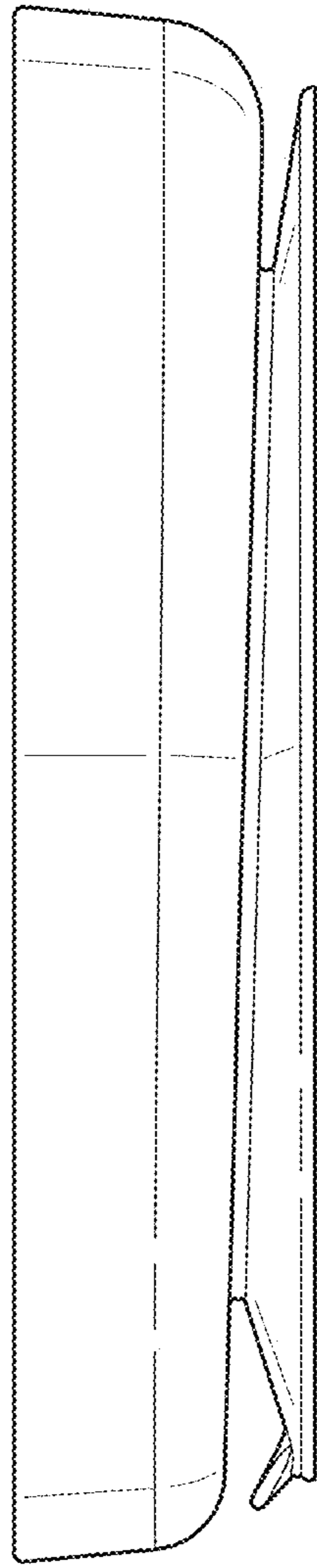


FIG. 9

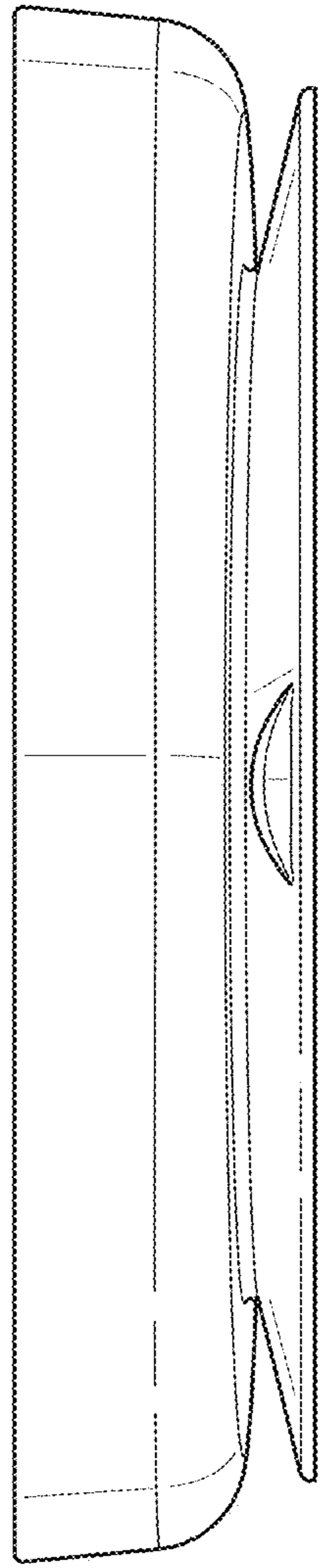


FIG. 10

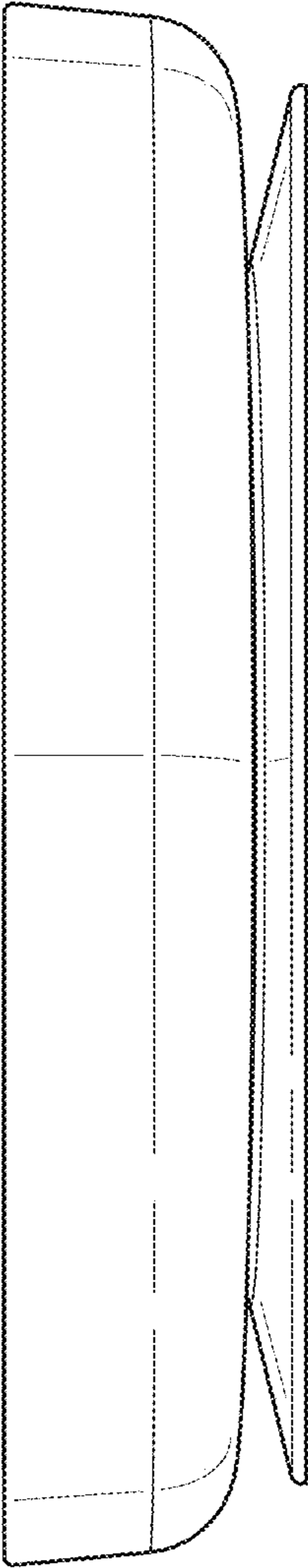


FIG. 11

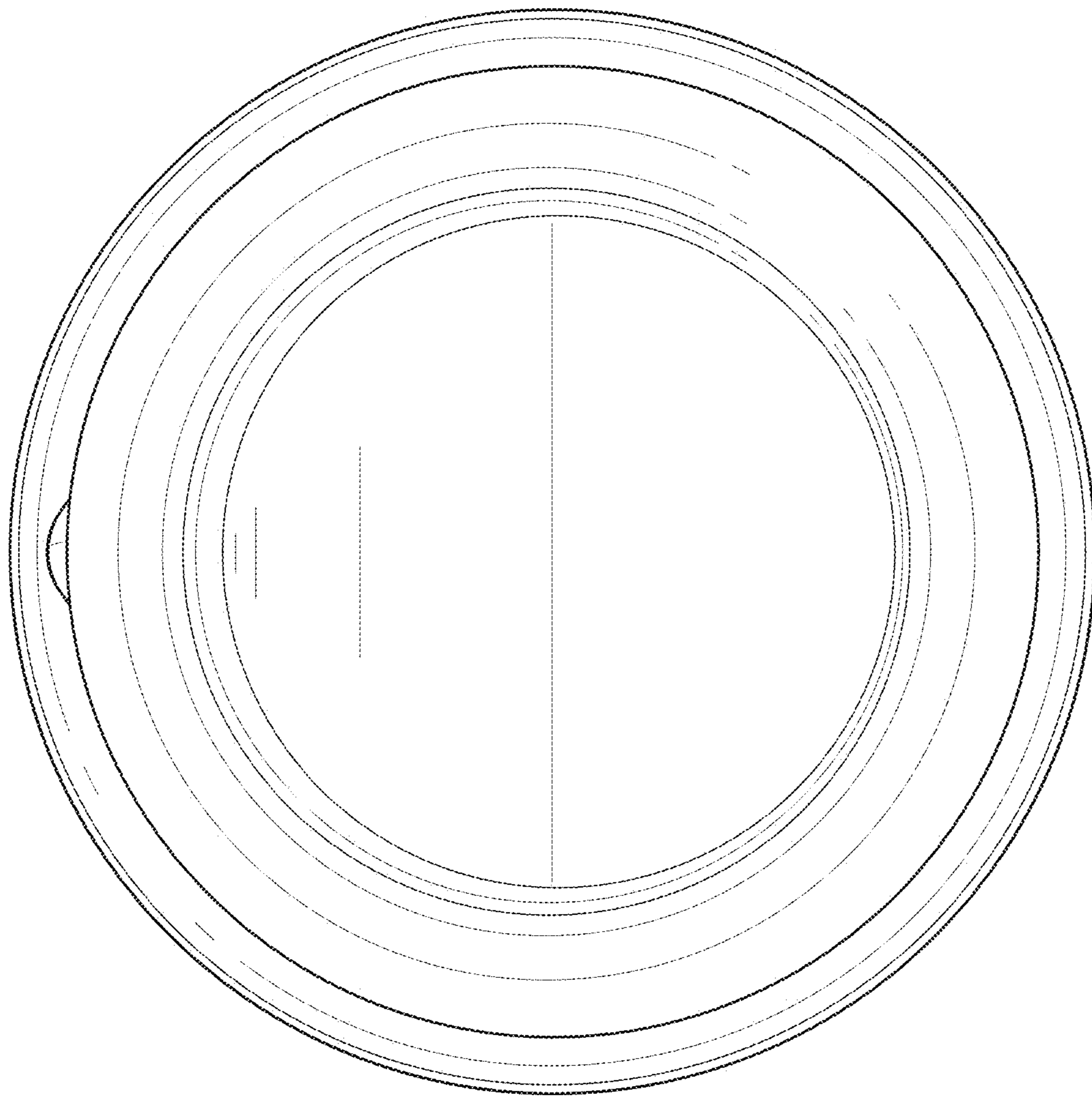


FIG. 12

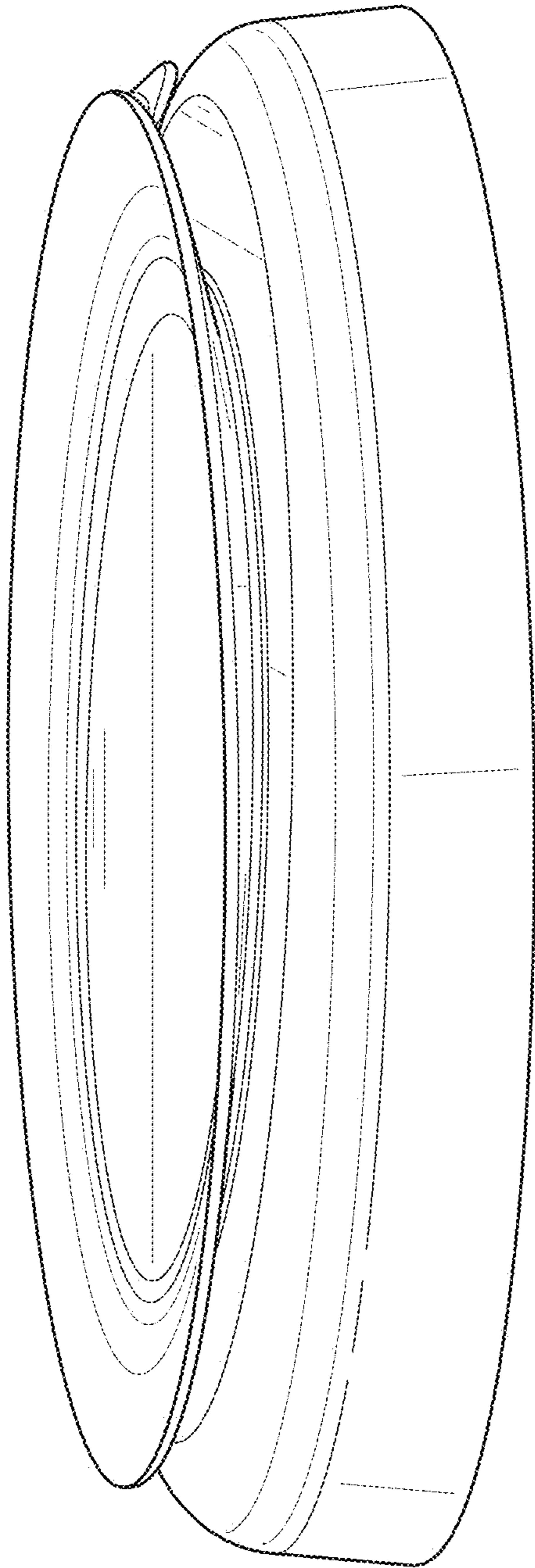


FIG. 13