



US00D974848S

(12) **United States Design Patent**  
**Lin et al.**

(10) **Patent No.:** **US D974,848 S**  
(45) **Date of Patent:** **\*\* Jan. 10, 2023**

(54) **PLATE HAVING SEPARATOR WALLS AND A BASE**

*Primary Examiner* — Cynthia R Underwood  
(74) *Attorney, Agent, or Firm* — Millburn IP PLLC

(71) Applicant: **Olababy Incorporated**, Hillsboro, OR (US)

(72) Inventors: **Qiao Lin**, Bellevue, WA (US); **Paul Wang**, Portland, OR (US)

(73) Assignee: **OLABABY INCORPORATED**, Beaverton, OR (US)

(\*\*) Term: **15 Years**

(21) Appl. No.: **29/727,237**

(22) Filed: **Mar. 9, 2020**

(51) **LOC (14) Cl.** ..... **07-01**

(52) **U.S. Cl.**  
USPC ..... **D7/555; D7/505**

(58) **Field of Classification Search**  
USPC ..... D7/501, 610, 550.1, 554.1, 558, 500, D7/587, 584, 629, 585, 586, 588, 554.2, D7/630, 354, 543, 523, 505, 507, 527, D7/528, 531, 552.2, 557, 555; 108/142; 220/574.3, 781, 574; D9/416, 500, 429, D9/428; 206/505; 366/130; D30/129  
CPC .. B65D 21/086; B65D 51/185; B65D 21/022; B65D 43/0208; A47G 19/2283; A47G 19/03; A47G 19/02; A47J 43/0727; A47J 27/002; F16B 47/00; F16B 2200/00; B66C 1/0212; F16M 13/022  
See application file for complete search history.

(56) **References Cited**

U.S. PATENT DOCUMENTS

- 2,813,446 A \* 11/1957 Botnick ..... A47G 19/025 84/95.2
- 3,078,005 A \* 2/1963 Lewerth ..... A47G 19/02 D7/584
- 3,773,212 A \* 11/1973 Sekuler ..... A47G 19/02 220/575

(Continued)

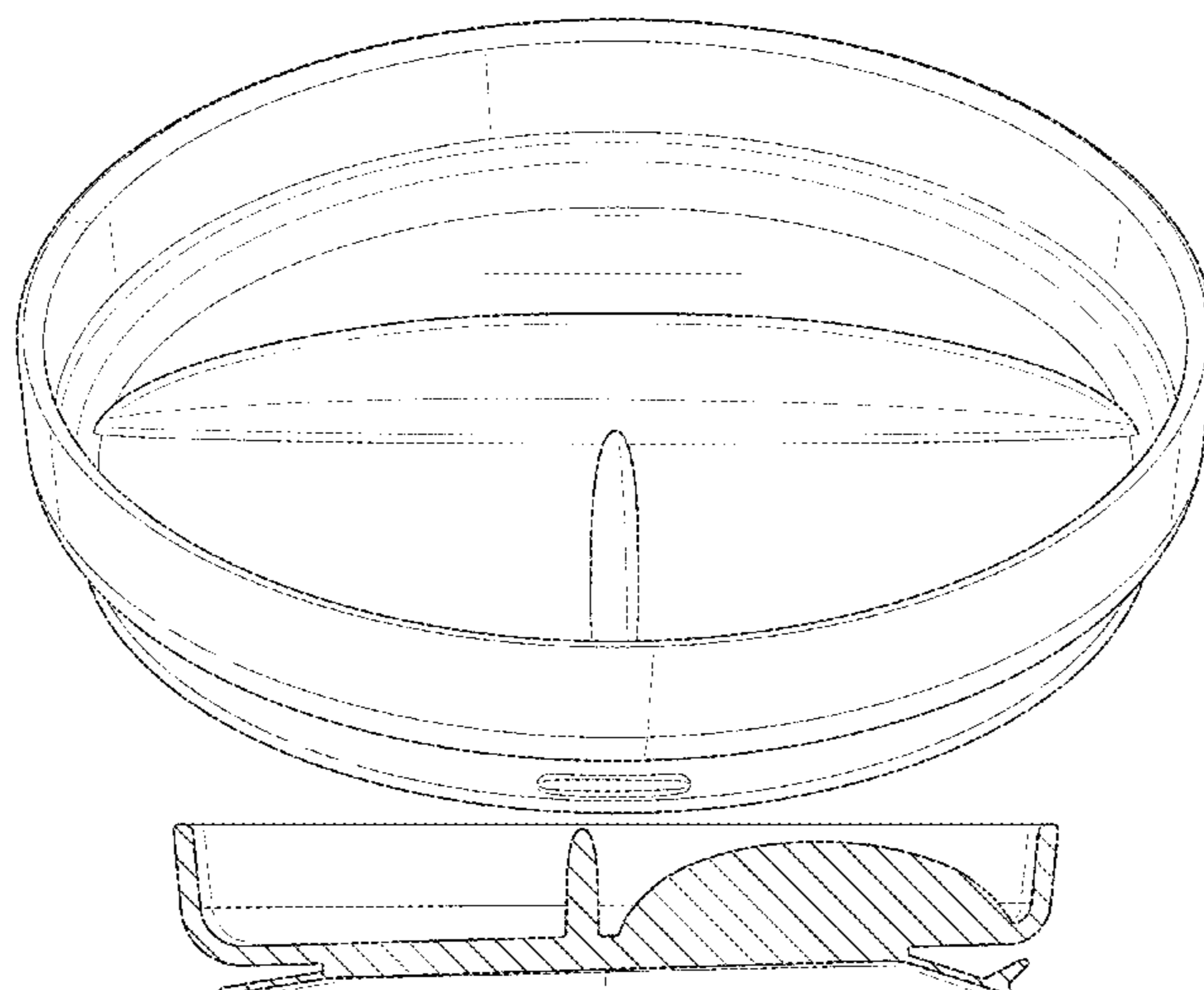
(57) **CLAIM**

The ornamental design for a plate having separator walls and a base, as shown and described.

**DESCRIPTION**

FIG. 1 is a front, top perspective view of a plate having separator walls and a base, showing our new design;  
 FIG. 2 is a back, top perspective view of the plate having separator walls and a base of FIG. 1;  
 FIG. 3 is a left side, top perspective view of the plate having separator walls and a base of FIG. 1;  
 FIG. 4 is a right side, top perspective view of the plate having separator walls and a base of FIG. 1;  
 FIG. 5 is a top view of the plate having separator walls and a base of FIG. 1;  
 FIG. 6 is a cross-sectional view of the plate having separator walls and a base along the 6-6 line shown in FIG. 5;  
 FIG. 7 is a cross-sectional view of the plate having separator walls and a base along the 7-7 line shown in FIG. 5;  
 FIG. 8 is a left side elevation view of the plate having separator walls and a base of FIG. 1;  
 FIG. 9 is a right side elevation view of the plate having separator walls and a base of FIG. 1;  
 FIG. 10 is a front elevation view of the plate having separator walls and a base of FIG. 1;  
 FIG. 11 is a back elevation view of the plate having separator walls and a base of FIG. 1;  
 FIG. 12 is a bottom view of the plate having separator walls and a base of FIG. 1; and,  
 FIG. 13 is a bottom perspective view of the plate having separator walls and a base of FIG. 1.  
 The broken lines depict cross section markers and form no part of the claimed design.

**1 Claim, 13 Drawing Sheets**



(56)

References Cited

U.S. PATENT DOCUMENTS

D348,589 S \* 7/1994 Cautereels ..... D7/565  
 D357,170 S \* 4/1995 Wellsfry ..... D8/349  
 5,813,638 A \* 9/1998 Morris ..... A47J 43/0727  
 220/636  
 D466,256 S \* 11/2002 Kaplan ..... D30/129  
 6,530,661 B1 \* 3/2003 Vorhis ..... A47G 29/08  
 351/158  
 D496,829 S \* 10/2004 Guzzini ..... D7/553.6  
 D613,127 S \* 4/2010 Olivari ..... D7/587  
 D628,443 S \* 12/2010 McTaggart ..... D7/545  
 D702,338 S \* 4/2014 Jones ..... D23/393  
 D714,126 S \* 9/2014 Pyon ..... D8/349  
 D727,090 S \* 4/2015 St. Jacques ..... D7/387  
 D732,891 S \* 6/2015 Bonilla ..... D30/129  
 D753,443 S \* 4/2016 Mock ..... D7/555  
 D812,433 S \* 3/2018 Kwok ..... D7/553.4  
 D836,399 S \* 12/2018 Ko ..... D7/584  
 D853,824 S \* 7/2019 Kravchenko ..... D8/354  
 D878,154 S \* 3/2020 Kim ..... D7/505

D879,106 S \* 3/2020 Mecchella ..... D14/251  
 D890,991 S \* 7/2020 Makabi ..... D28/99  
 D924,008 S \* 7/2021 Kim ..... D7/505  
 D931,054 S \* 9/2021 Miller ..... D7/557  
 D938,820 S \* 12/2021 Sanders ..... D9/454  
 11,346,389 B2 \* 5/2022 Chen ..... F16B 47/00  
 D953,816 S \* 6/2022 Lin ..... D7/608  
 2006/0285428 A1 \* 12/2006 Paradise ..... A47J 43/0727  
 366/130  
 2008/0067180 A1 \* 3/2008 Schanche ..... A47G 19/02  
 220/574  
 2013/0320164 A1 \* 12/2013 Pyon ..... F16B 47/00  
 248/206.3  
 2014/0326723 A1 \* 11/2014 Scharfe ..... A47G 19/2283  
 220/574  
 2015/0090726 A1 \* 4/2015 Reichel ..... A47G 19/02  
 220/575  
 2018/0332984 A1 \* 11/2018 Wang ..... A47G 19/02  
 2018/0343826 A1 \* 12/2018 Kumar ..... A01K 5/0135  
 2021/0145195 A1 \* 5/2021 Hakim ..... A47G 19/2261  
 2021/0404510 A1 \* 12/2021 Chen ..... F16B 47/00

\* cited by examiner

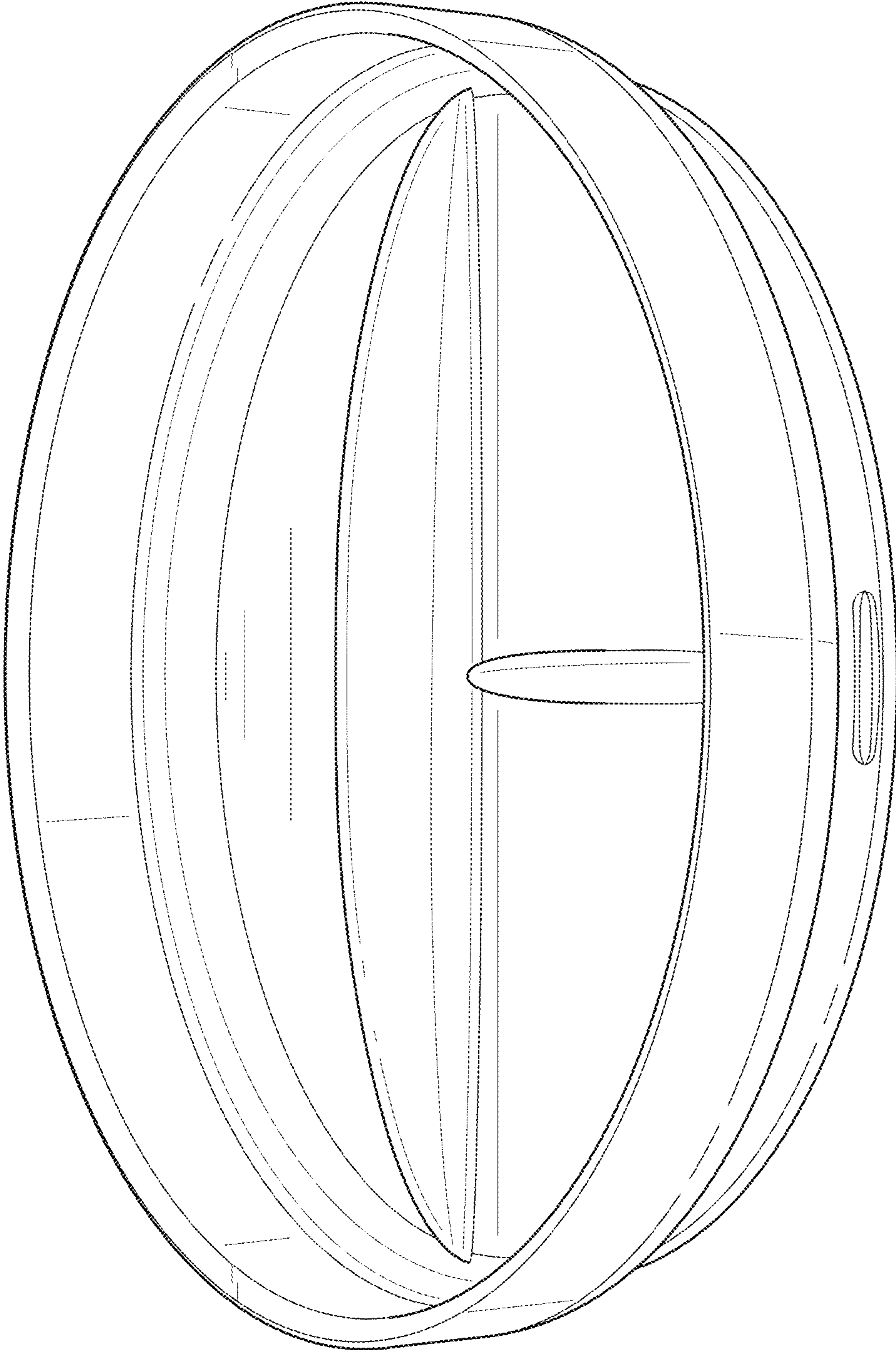


FIG. 1

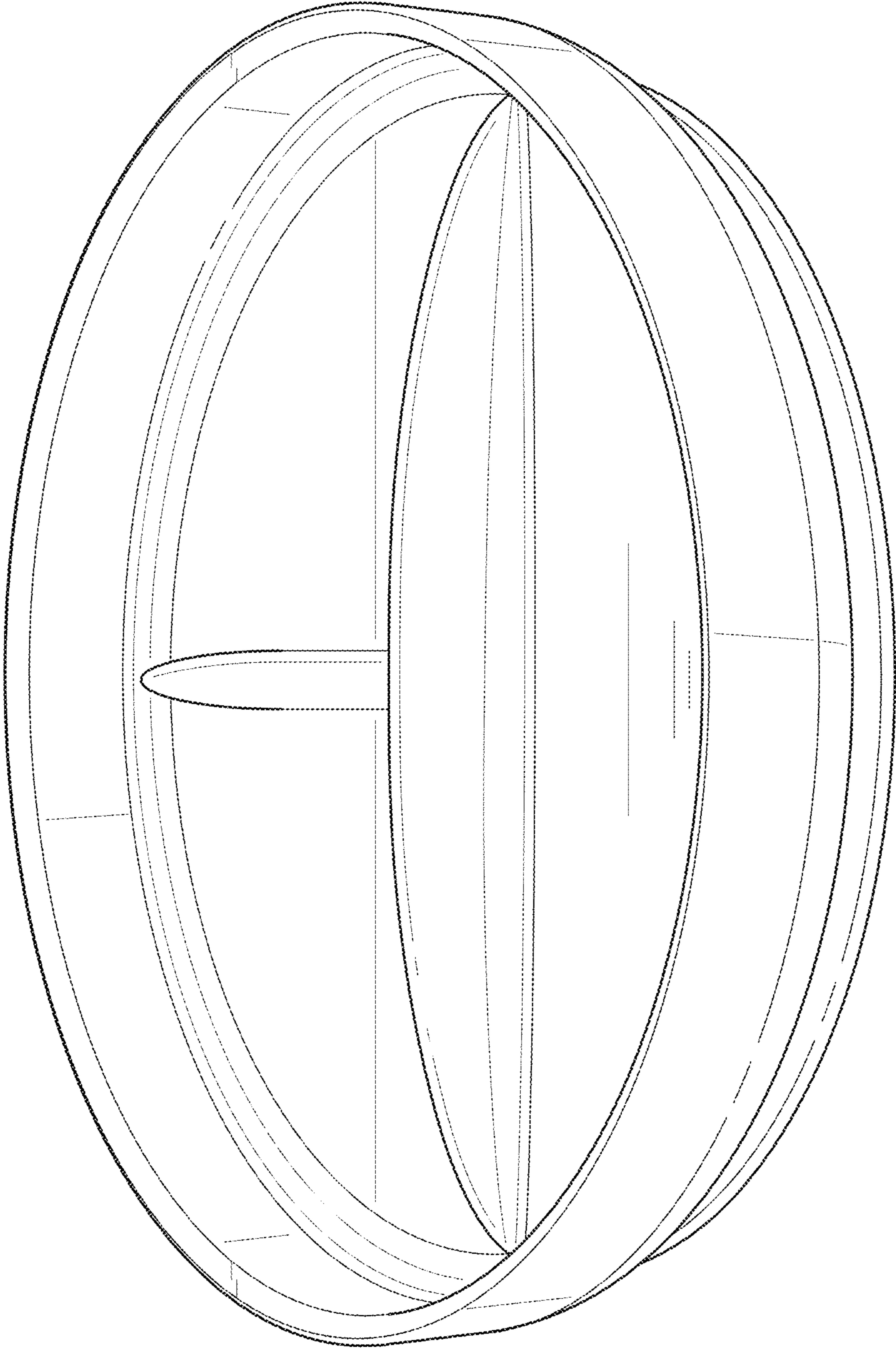


FIG. 2

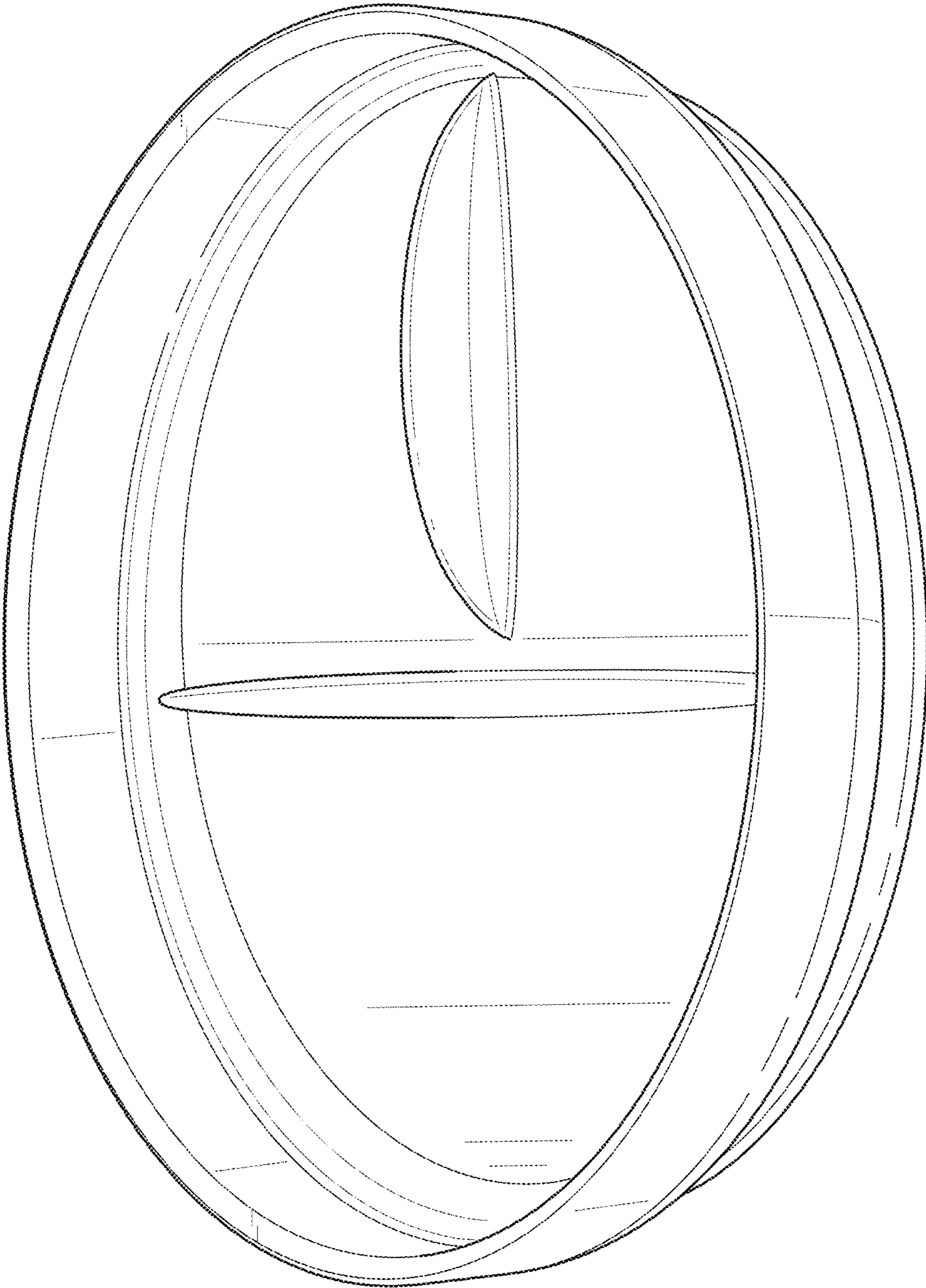


FIG. 3

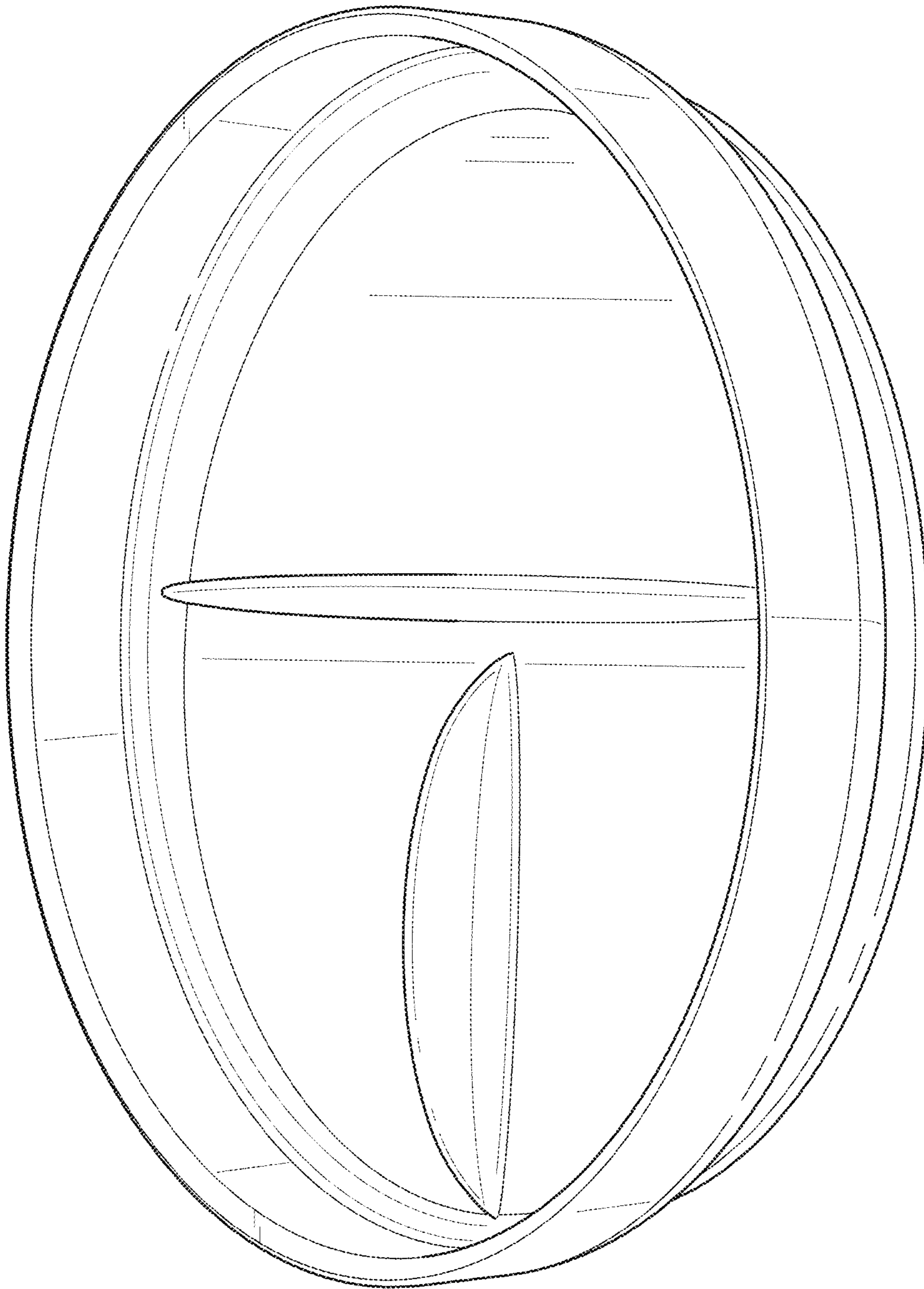


FIG. 4

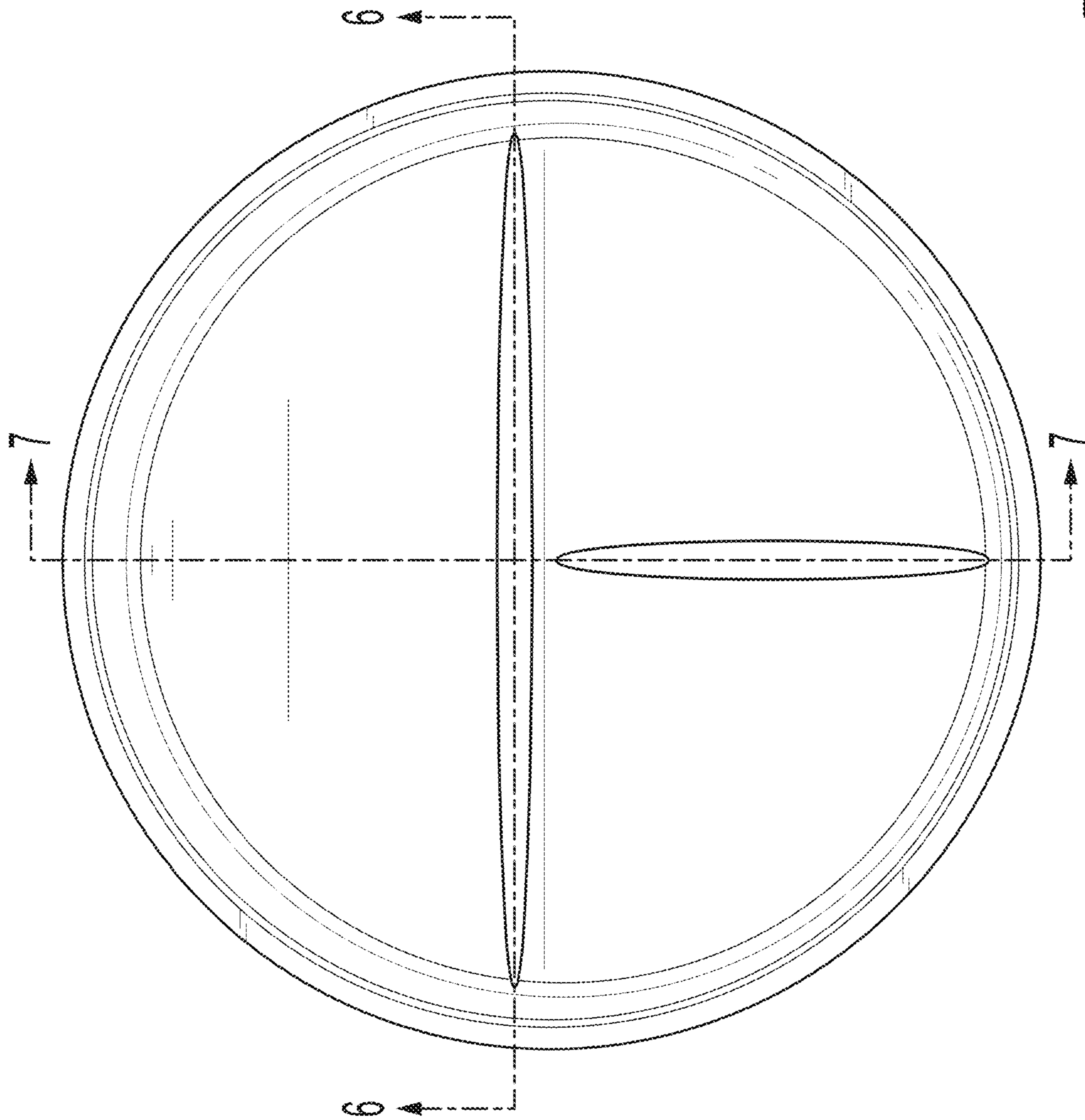


FIG. 5

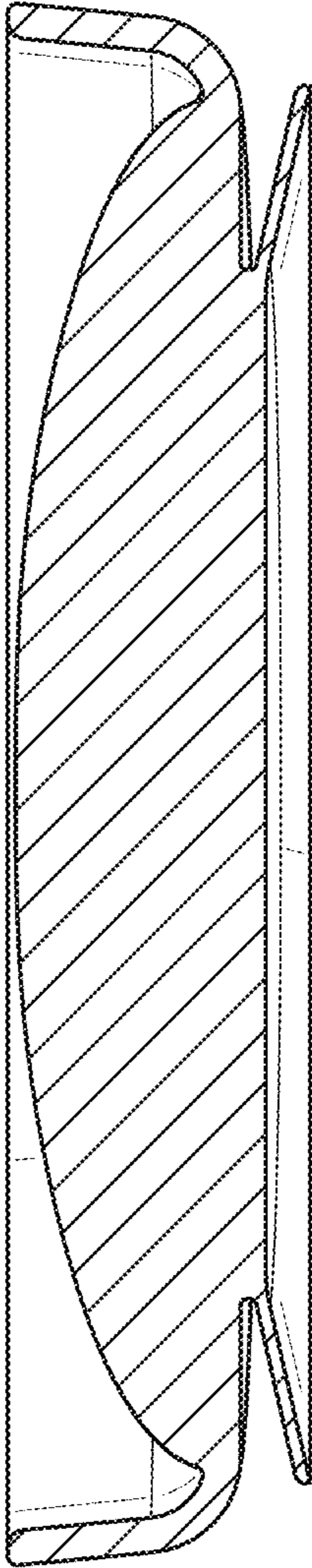


FIG. 6



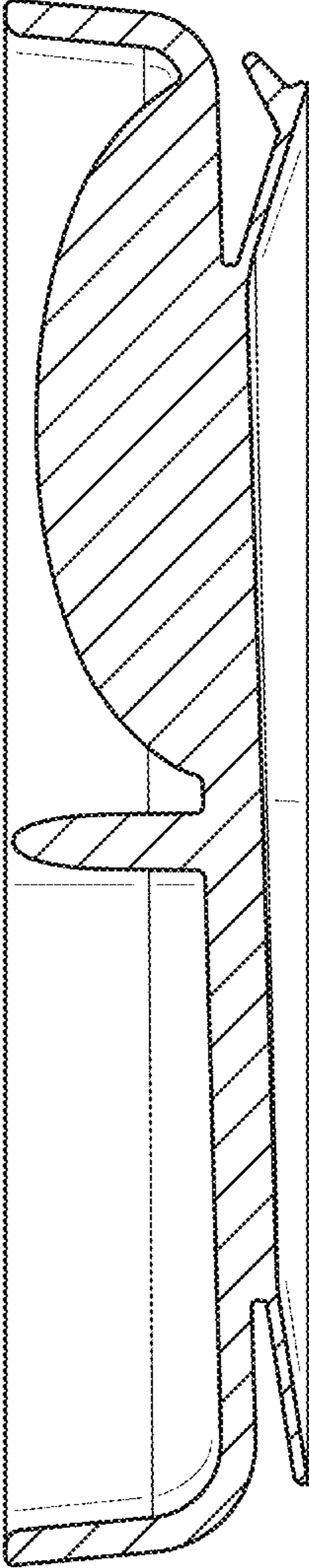


FIG. 7

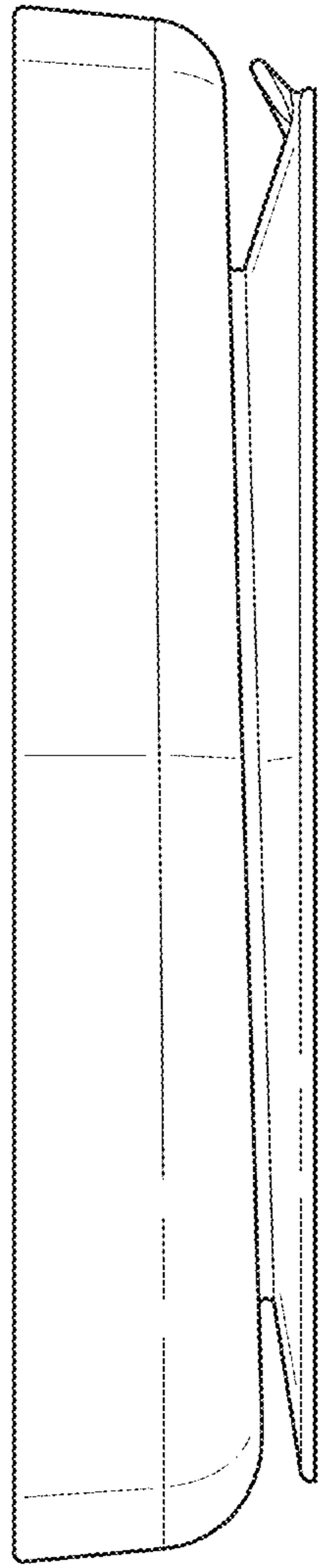


FIG. 8

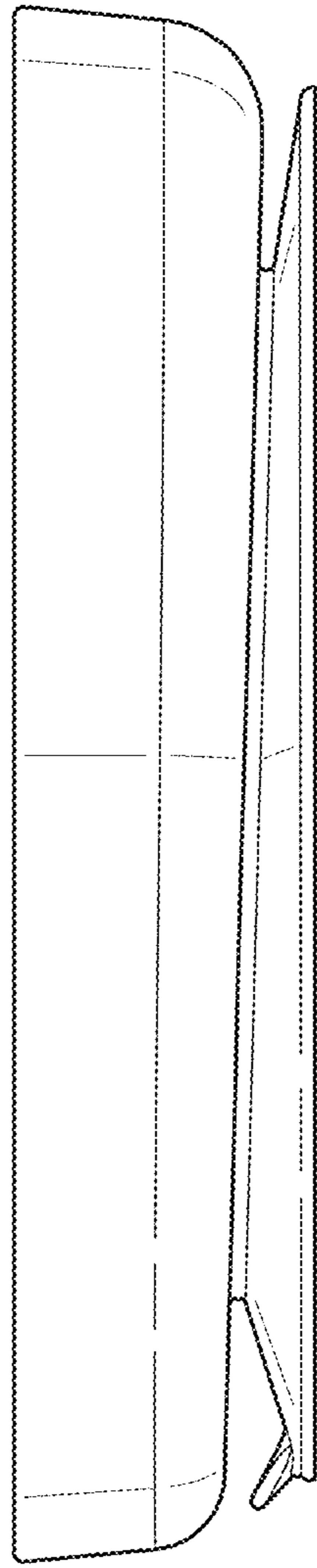


FIG. 9

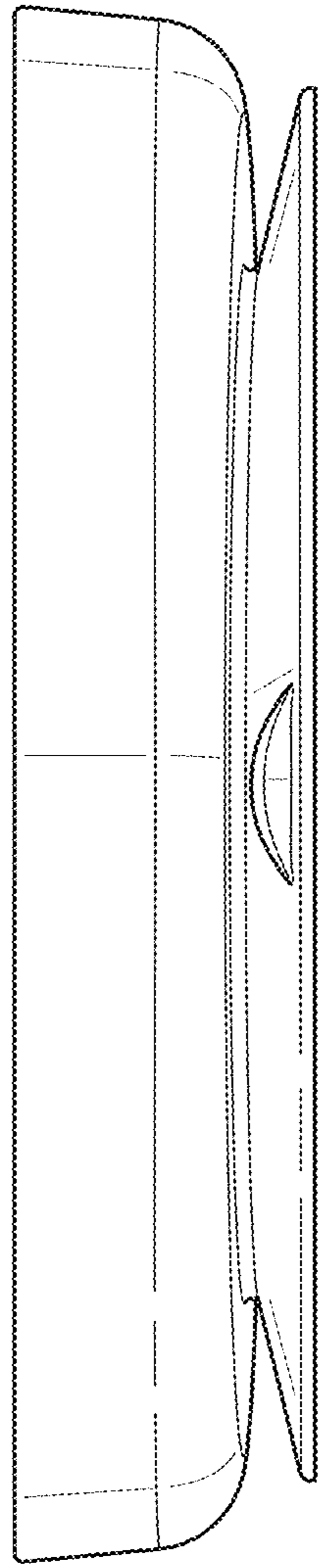


FIG. 10

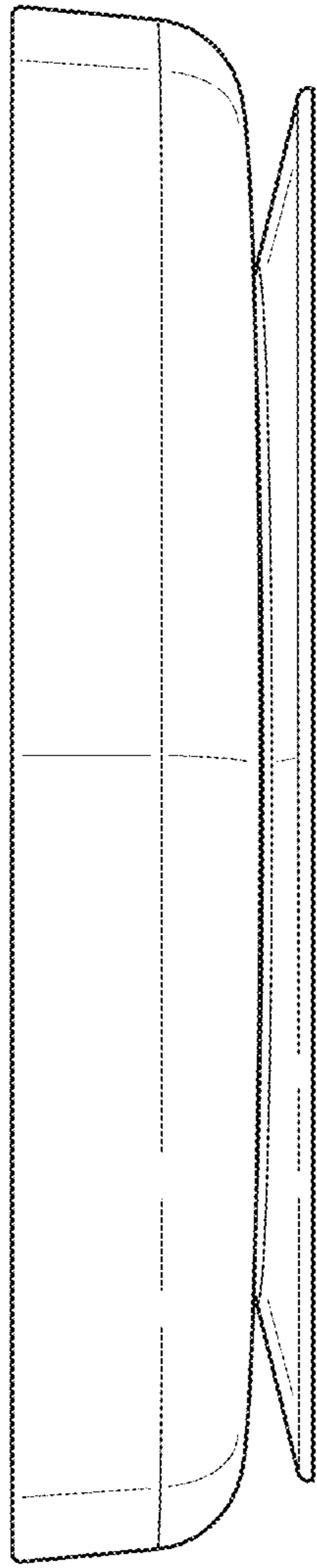


FIG. 11

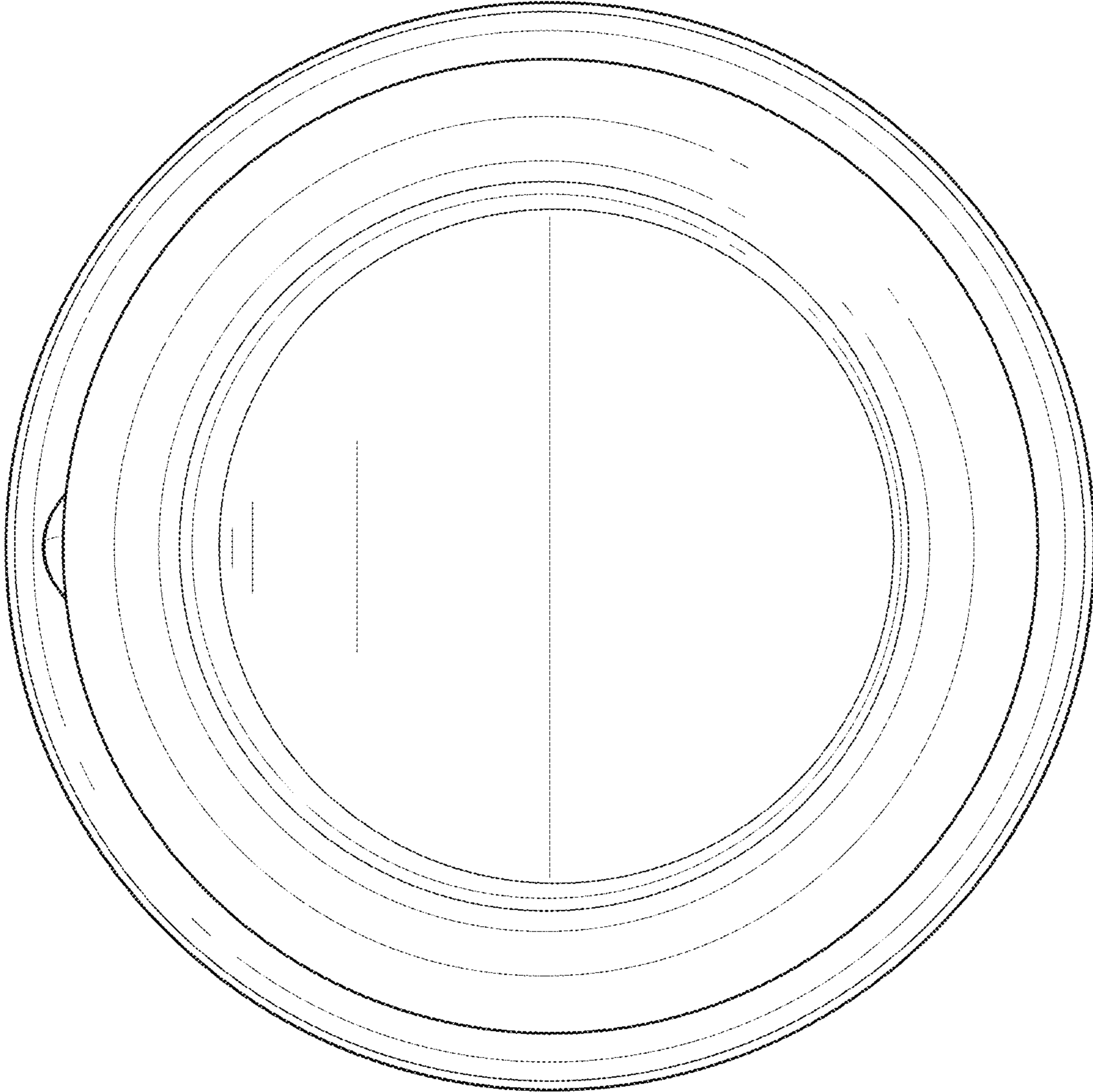


FIG. 12

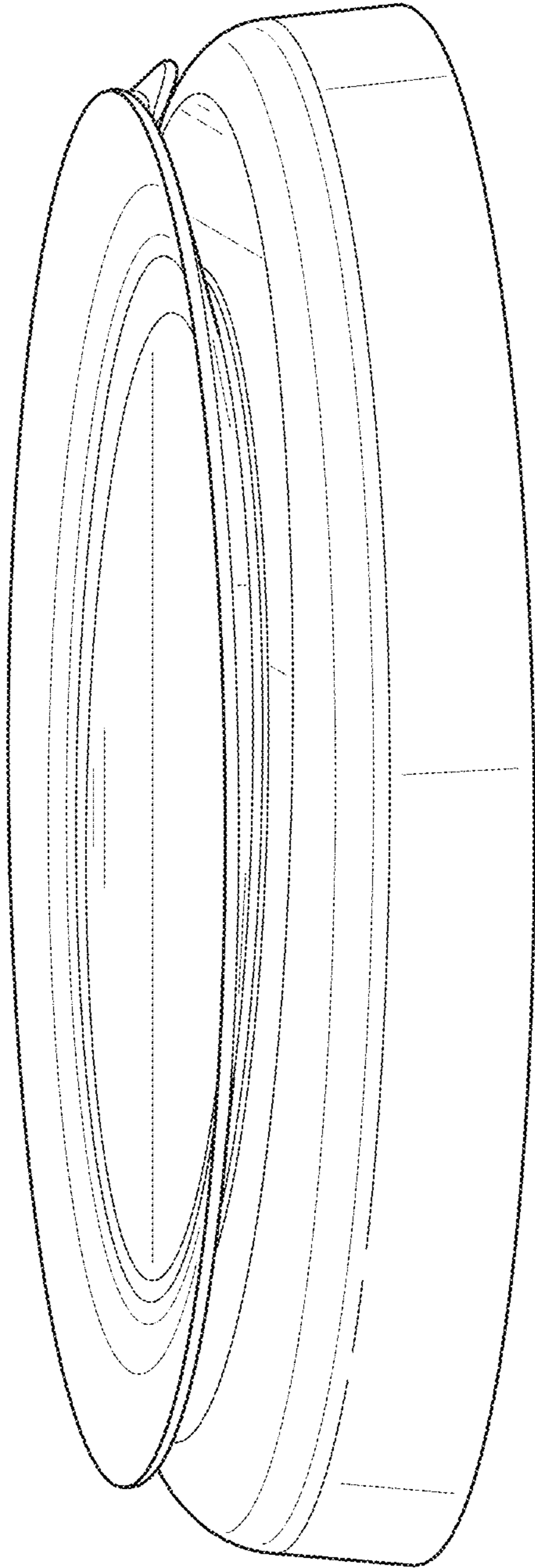


FIG. 13