



US00D974846S

(12) **United States Design Patent** (10) **Patent No.:** **US D974,846 S**
Smith et al. (45) **Date of Patent:** **** Jan. 10, 2023**

(54) **BEVERAGE CONTAINER**

- (71) Applicant: **Pacific Market International, LLC**,
Seattle, WA (US)
- (72) Inventors: **Ryan M. Smith**, Seattle, WA (US);
Matthew Kenneth Dolph, Seattle, WA
(US)
- (73) Assignee: **Pacific Market International LLC**,
Seattle, WA (US)
- (**) Term: **15 Years**
- (21) Appl. No.: **29/812,501**
- (22) Filed: **Oct. 21, 2021**

Related U.S. Application Data

- (62) Division of application No. 29/716,833, filed on Dec.
12, 2019, now Pat. No. Des. 935,847.
- (51) **LOC (14) Cl.** **07-01**
- (52) **U.S. Cl.**
USPC **D7/535; D7/509; D7/536; D7/622**
- (58) **Field of Classification Search**
USPC **D7/300, 300.1, 319, 392, 392.1, 396.1,**
D7/396.2, 396.3, 507, 509-511, 523, 533,
(Continued)

(56) **References Cited**

U.S. PATENT DOCUMENTS

D27,456 S 8/1897 West
D115,412 S * 6/1939 Lacy D7/361
(Continued)

FOREIGN PATENT DOCUMENTS

CN 302228821 12/2012
CN 305062039 3/2019
(Continued)

OTHER PUBLICATIONS

“Ben Franklin Eight Billion Medallion Pewter Mug,” Aug. 27,
2016, LauraGarnet, <https://lauragarnet.blogspot.com/2016/08/ben-franklin-eight-billion-medallion.html> (Year: 2016).*
(Continued)

Primary Examiner — Joseph Kukella
Assistant Examiner — Arva P Adams
(74) *Attorney, Agent, or Firm* — Merchant and Gould
P.C.

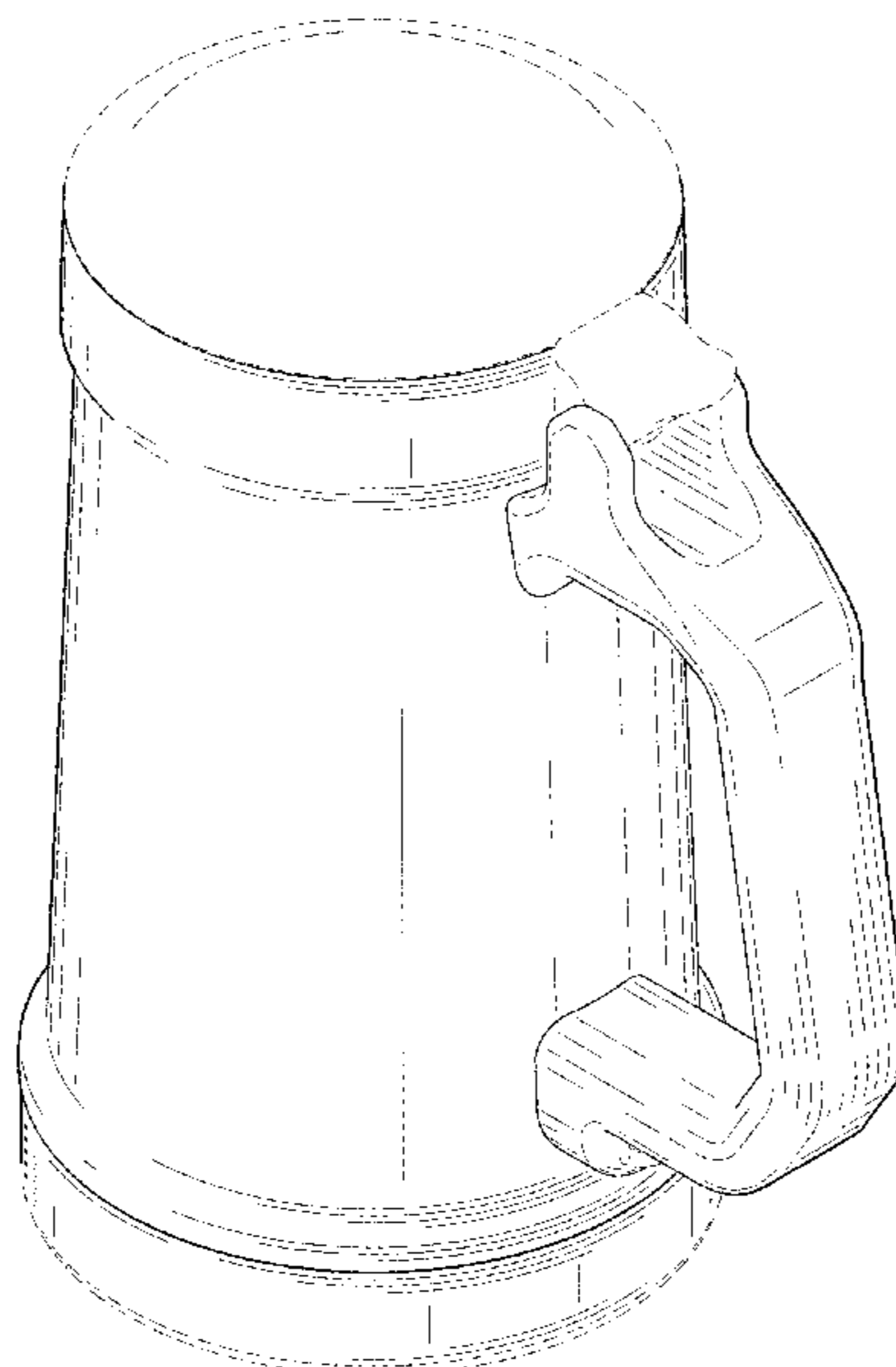
(57) **CLAIM**

The ornamental design for a beverage container, as shown and described.

DESCRIPTION

FIG. 1 is a top perspective view of a beverage container showing our new design.
FIG. 2 is a bottom perspective view thereof.
FIG. 3 is a left side elevational view thereof.
FIG. 4 is a rear elevational view thereof.
FIG. 5 is a front elevational view thereof.
FIG. 6 is a right side elevational view thereof.
FIG. 7 is a top plan view thereof.
FIG. 8 is a bottom plan view thereof.
FIG. 9 is a top perspective view of a second embodiment thereof.
FIG. 10 is a bottom perspective view thereof.
FIG. 11 is a left side elevational view thereof.
FIG. 12 is a rear elevational view thereof.
FIG. 13 is a front elevational view thereof.
FIG. 14 is a right side elevational view thereof.
FIG. 15 is a top plan view thereof; and,
FIG. 16 is a bottom plan view thereof.
The broken lines depict portions of the beverage container that form no part of the claimed design.

1 Claim, 14 Drawing Sheets



(58) **Field of Classification Search**

USPC D7/535, 536, 608; D9/530, 531, 777,
D9/778

CPC A47G 19/22; A47G 23/0266; A47G
19/2227; A47G 19/2261; A47G 19/2288;
A47G 19/23

See application file for complete search history.

D837,601 S	1/2019	Silsby	
D883,748 S	5/2020	Rostohar	
D907,956 S	1/2021	Silsby	
D914,454 S	3/2021	Silsby	
D935,847 S *	11/2021	Smith	D7/622
D938,230 S *	12/2021	Carmona	D7/533

(56) **References Cited**

U.S. PATENT DOCUMENTS

D230,239 S	2/1974	Dodge	
3,791,159 A	2/1974	Devlin	
D246,882 S	1/1978	Thrush	
D258,484 S	3/1981	Slepicka	
D258,795 S	4/1981	Zamorski	
D275,253 S	8/1984	Durand	
D275,438 S	9/1984	Everson	
D290,568 S *	6/1987	Feltman	D7/622
D300,195 S *	3/1989	Pitzer	D7/533
4,928,848 A	5/1990	Ballway	
4,984,707 A	1/1991	Fierthaler	
D331,684 S *	12/1992	Trombley	D7/533
D336,825 S *	6/1993	Ivey	D7/511
5,454,482 A *	10/1995	Simon	A47G 19/2272 220/373
D365,965 S *	1/1996	Yeh	D7/533
D370,831 S *	6/1996	Steinfels, III	D7/533
D375,869 S	11/1996	Canela	
D376,728 S	12/1996	Richards, Sr. et al.	
D383,039 S	9/1997	Densmore	
D384,246 S	9/1997	McKnight	
D385,460 S	10/1997	Driska	
D401,809 S	12/1998	Reed	
D411,713 S *	6/1999	Bridges	D7/510
D502,056 S *	2/2005	Bakti	D7/533
D584,643 S *	1/2009	Kolon	A47G 19/2272 D9/777
D650,236 S	12/2011	Schmidt	
D715,586 S *	10/2014	Katterheinrich	D7/319
D720,187 S	12/2014	Romley	
D733,499 S	7/2015	Perman et al.	
D751,343 S	3/2016	Chen et al.	
D756,784 S	5/2016	Fine et al.	
D778,735 S *	2/2017	Wofford	D9/778
D808,735 S	1/2018	Beckman	
D813,608 S *	3/2018	Spivey	D7/533
D837,597 S	1/2019	Silsby	

FOREIGN PATENT DOCUMENTS

CN	305069202	3/2019
CN	306960552	* 11/2021
GB	3024952	* 7/2006
JP	D1483262	11/2013
JP	D1629181	4/2019
WO	D076989002	10/2011

OTHER PUBLICATIONS

Alchemade, "Alchemade 10% 20 oz Etched Silver Beer Stein," Mar. 7, 2016, Amazon.com, www.amazon.com/Alchemade-Antique-Beer-Stein-Silver/dp/B01CVEXDP6 (Year: 2016).*

Essence of Europe Gifts, "Beer Mug German Village Cobalt Blue Metal Medallion Bar Gifts for Men Beer Stein by E.H.G.," Jul. 5, 2018, Amazon.com, www.amazon.com/Liter-Village-Cobalt-Medallion-Gifts/dp/B07F9F9MVS (Year: 2018).*

Stanley SS Classic Stein, 1 page, product publicly disclosed on year prior to Dec. 12, 2019.

eBay, "Antique German Beer Stein Ceramic 1899," WorthPoint, www.worthpoint.com/worthopedia/antique-german-beer-stein-ceramic-1856180895, May 20, 2017, 1 page.

eBay, "Budweiser 2008 Anheuser Busch Employee Association Holiday Stein," WorthPoint, www.worthpoint.com/worthopedia/budweiser-2008-anheuser-busch-1695029205, Nov. 22, 2014, 1 page.

Reckziegel, Kurt, "Early Draught #7: Four Loco reviews, Willy Wonka wannabes, and dragons. Yep, dragons." Early Draught, <https://earlydraught1.substack.com/p/early-draught-7-four-loko-reviews>, Nov. 20, 2020, 1page.

San Jamar, "San Jamar PPP60 Perfect Pour Shatter-Resistant Beer Pitcher," Amazon.com, www.amazon.com/dp/B0773MQYGC, Nov. 1, 2017, 2 pages.

Stanley, "A/Stanley Classic Vacuum Insulated Water Bottle Never Flat Stein," Auction, <http://itempage3.auction.co.kr/DetailView.aspx?ItemNo=B790630676&frm3=V2>, Jan. 31, 2020 (retrieved Feb. 8, 2021), 5 pages.

Stanley, "Stanley Classic Vacuum Never Flat Stein," Amazon.com, www.amazon.com/dp/B07L6NHSN2, Jun. 10, 2019, 2 pages.

* cited by examiner



FIG. 1

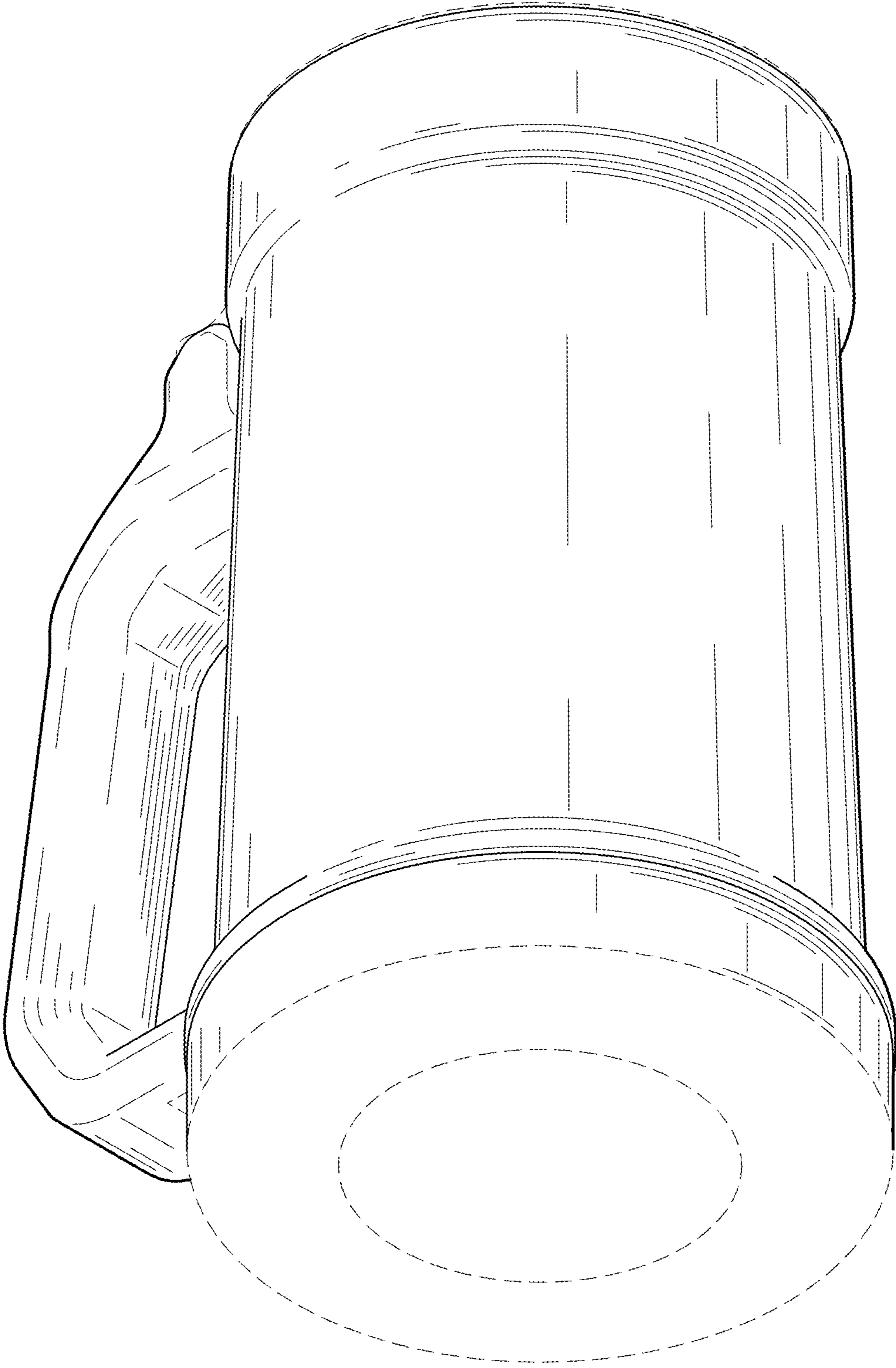


FIG. 2

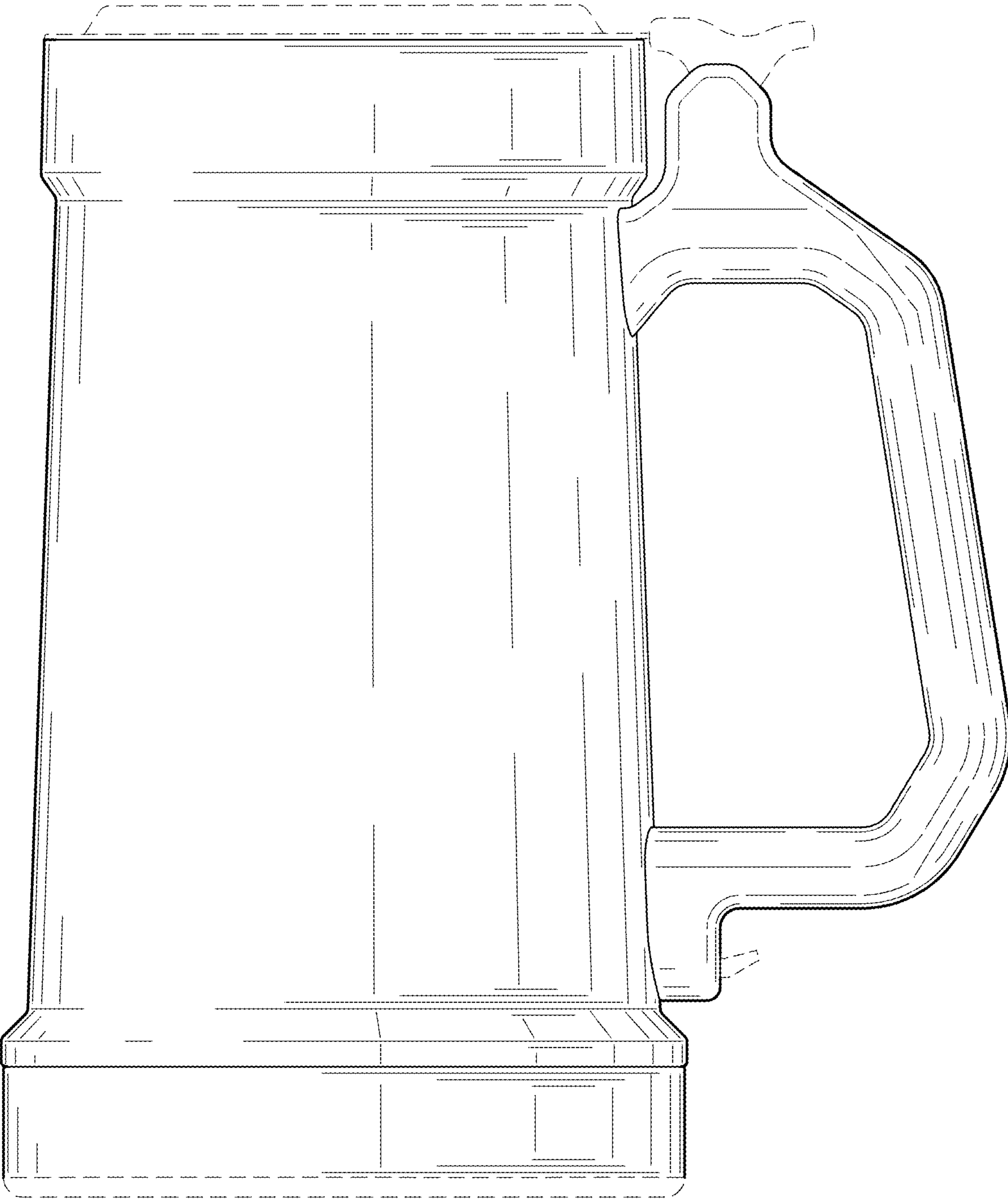


FIG. 3

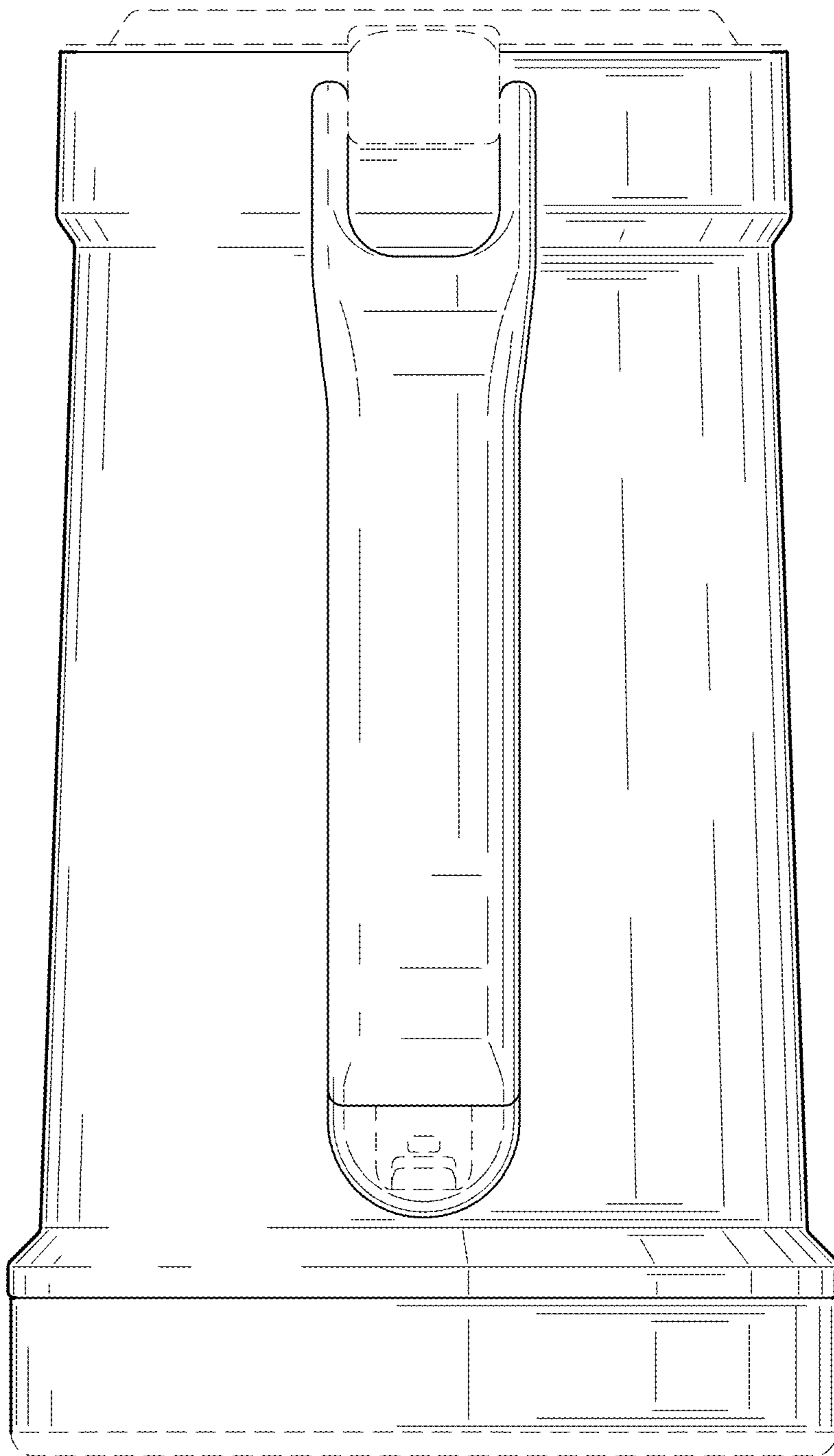


FIG. 4

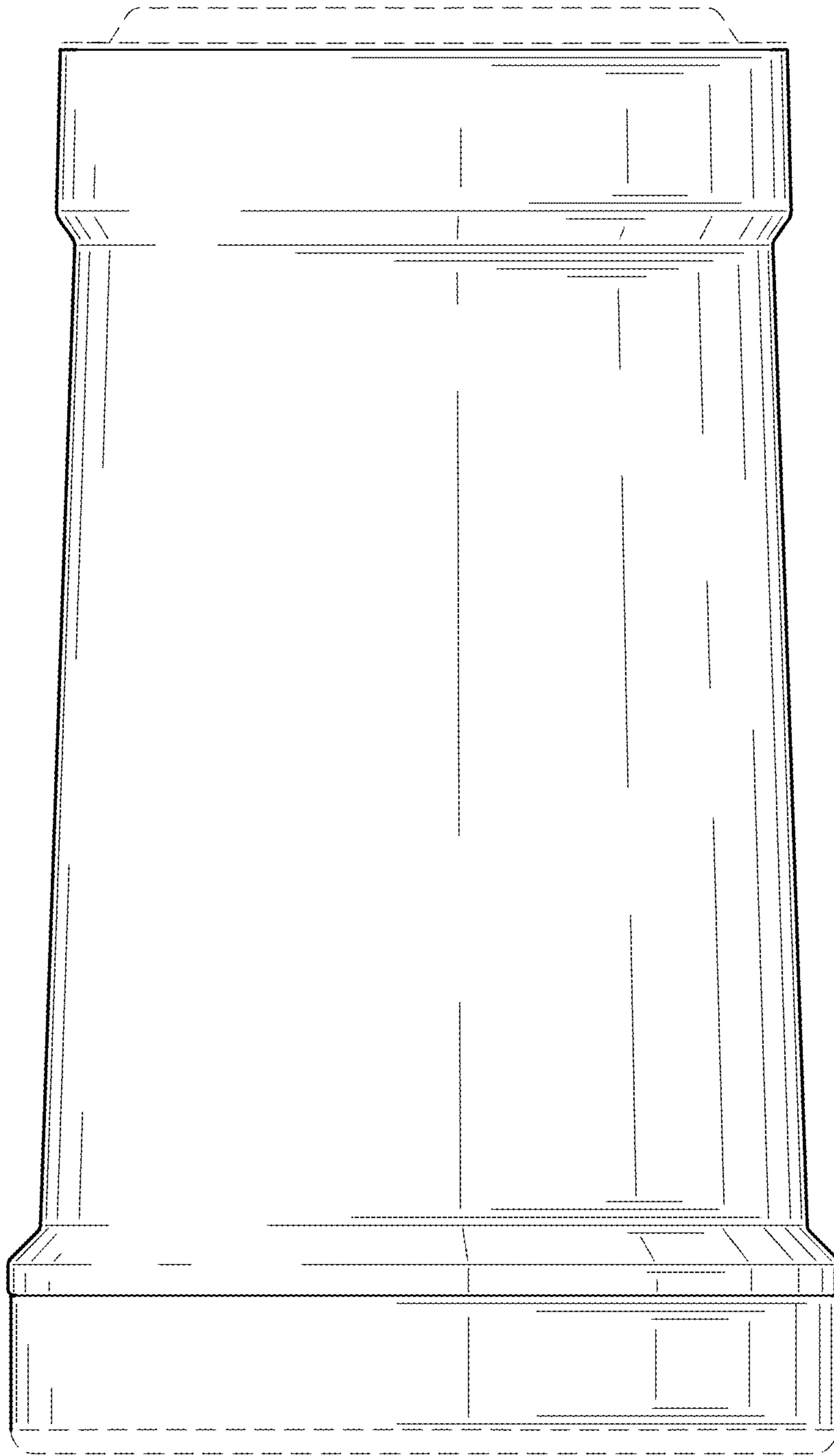


FIG. 5

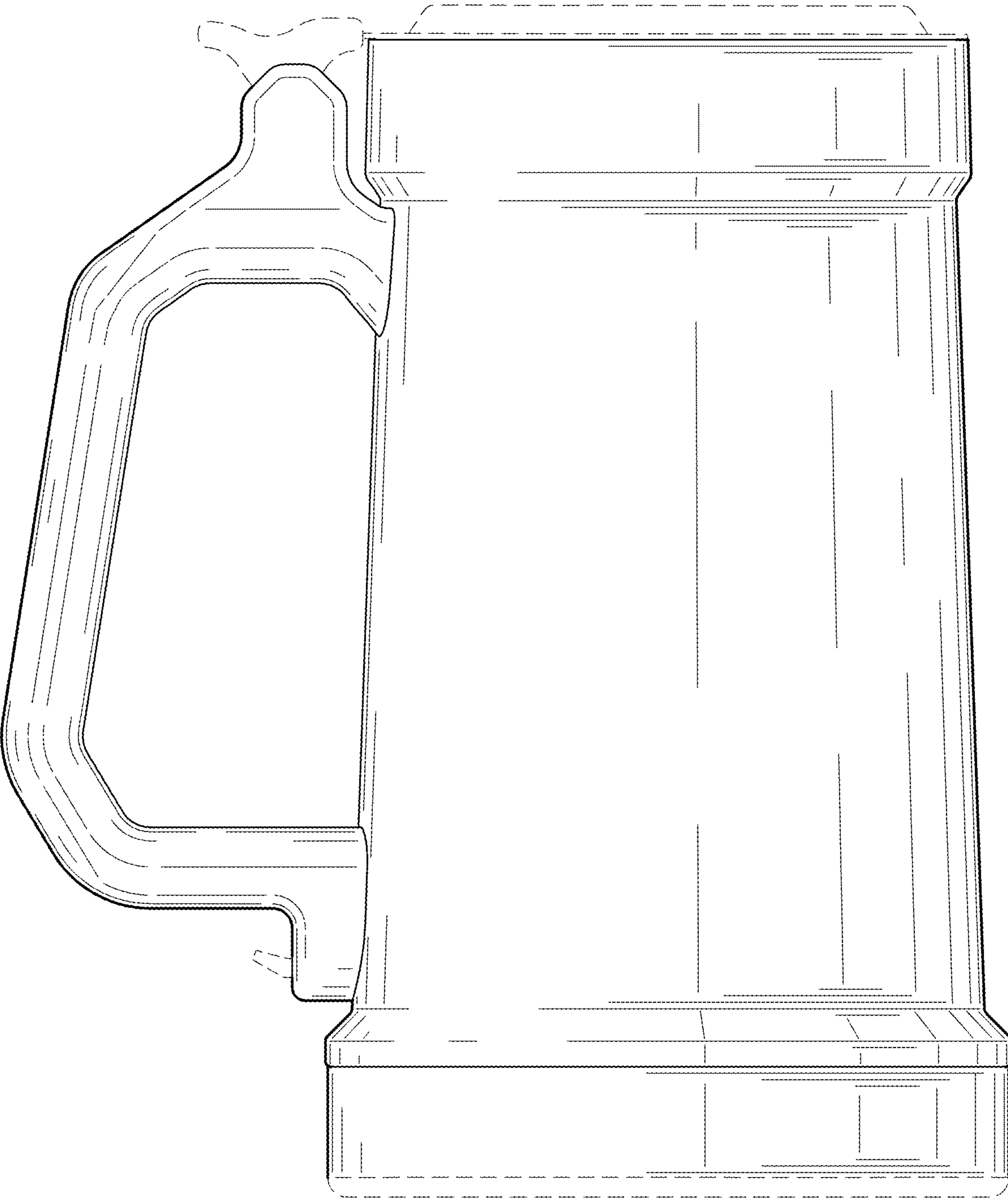


FIG. 6

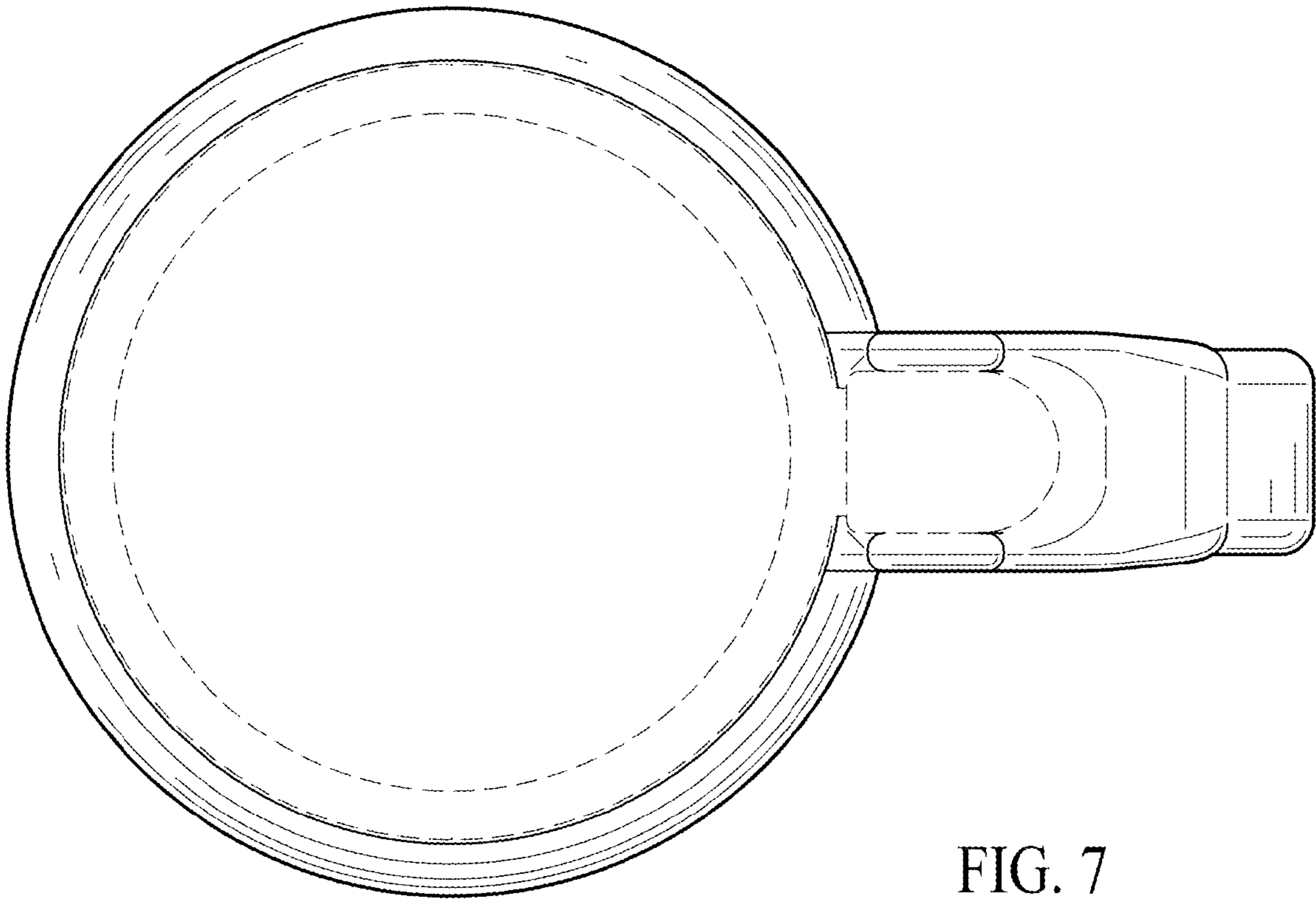


FIG. 7

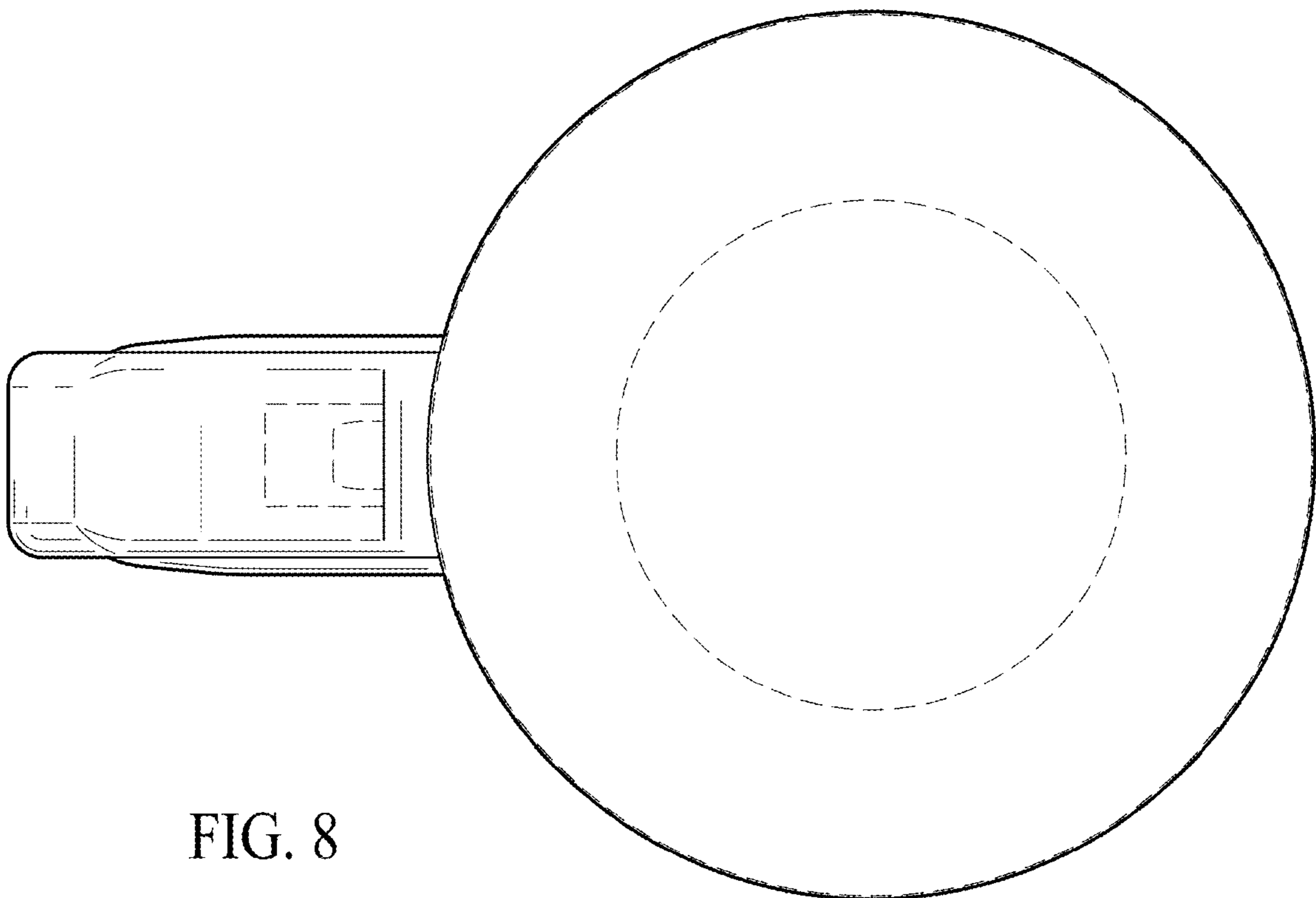


FIG. 8

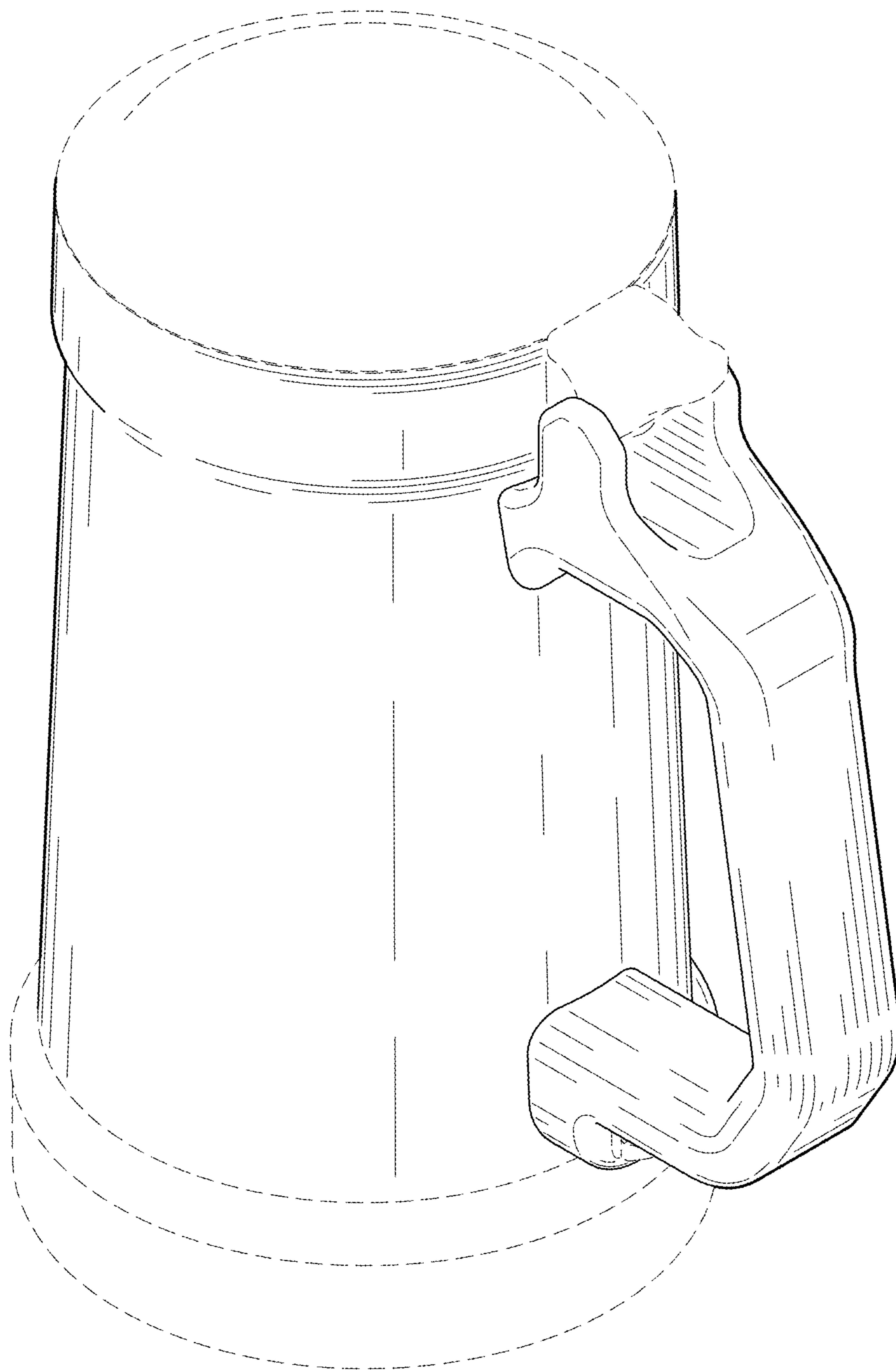


FIG. 9

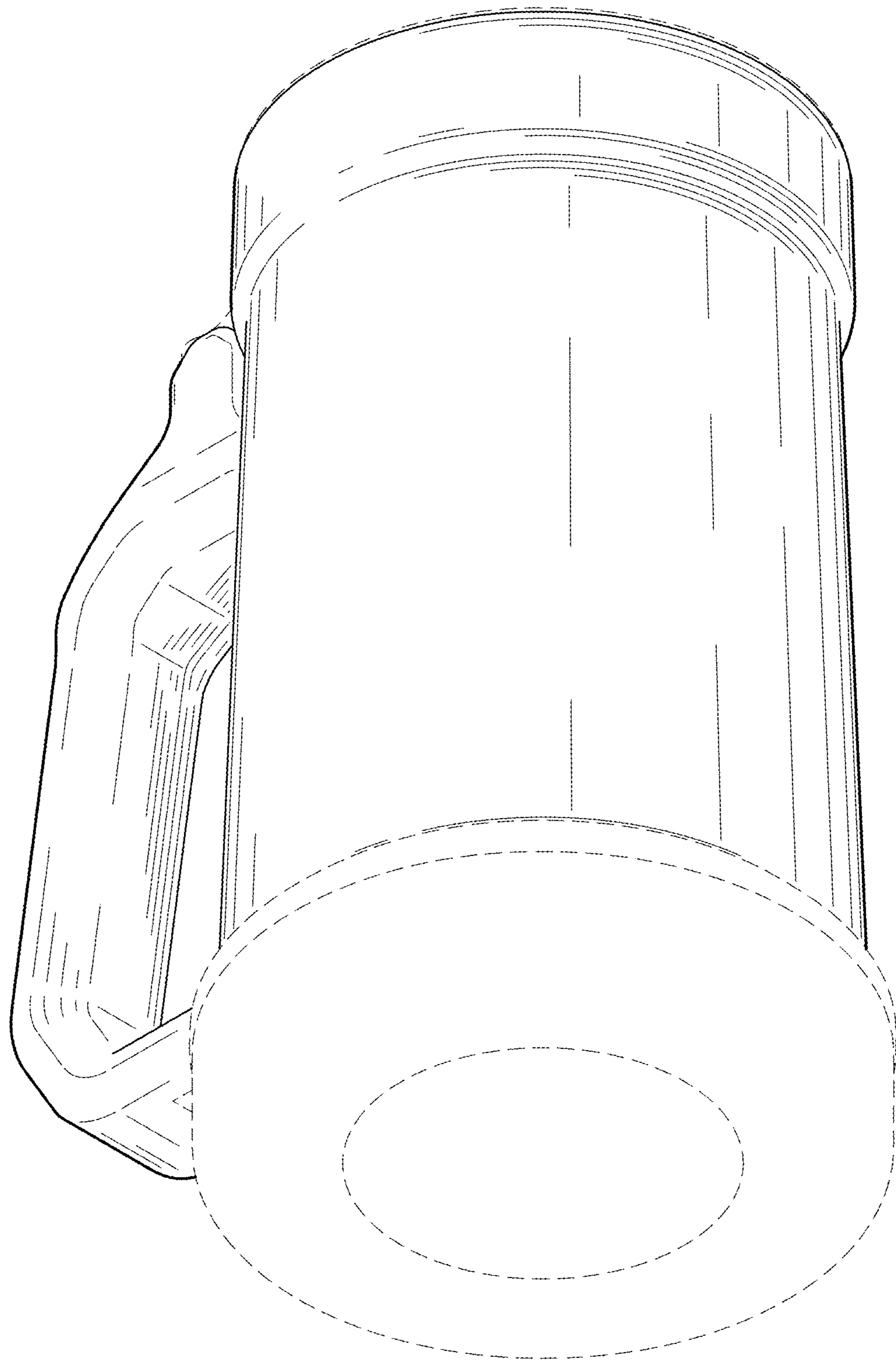


FIG. 10

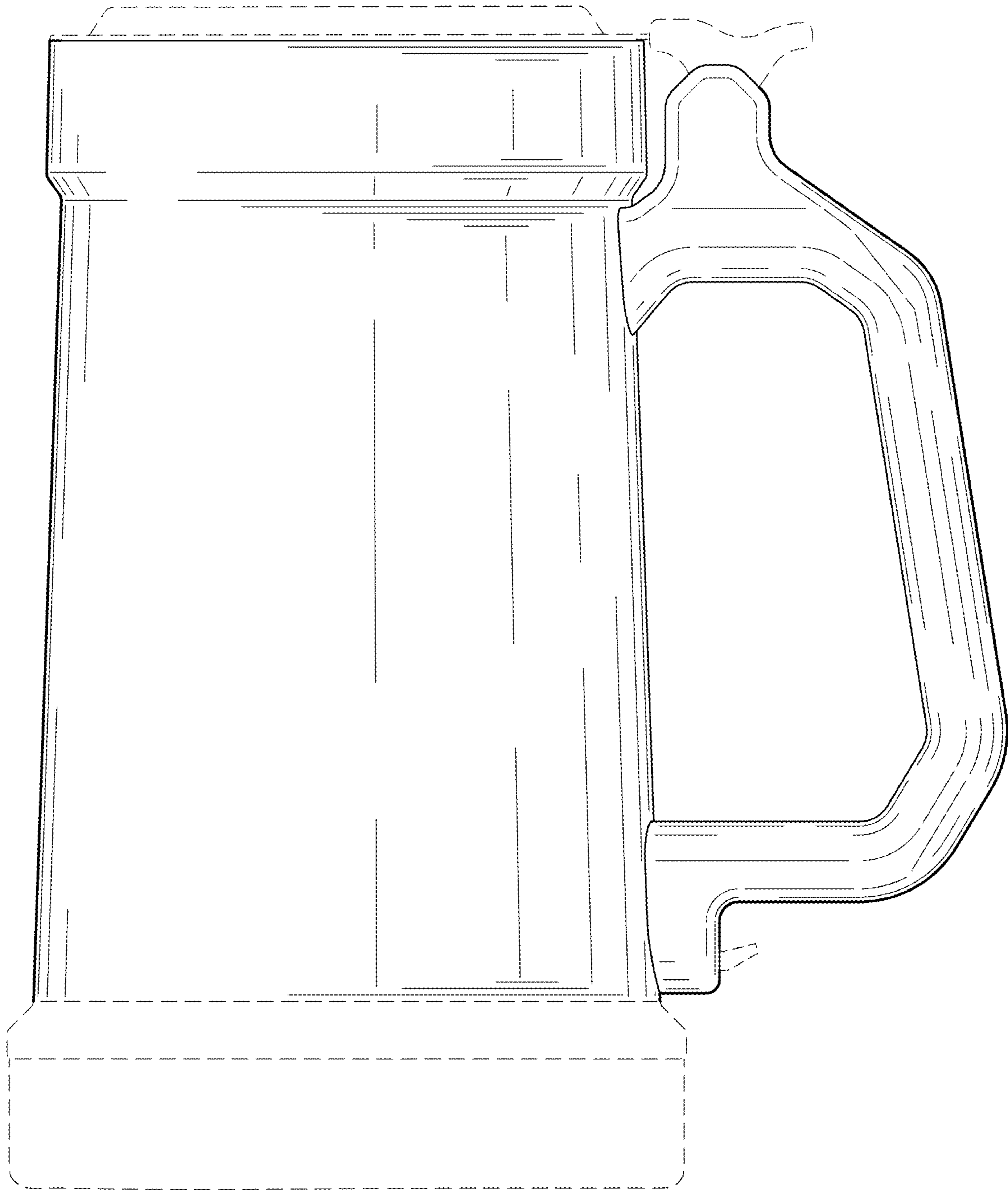


FIG. 11

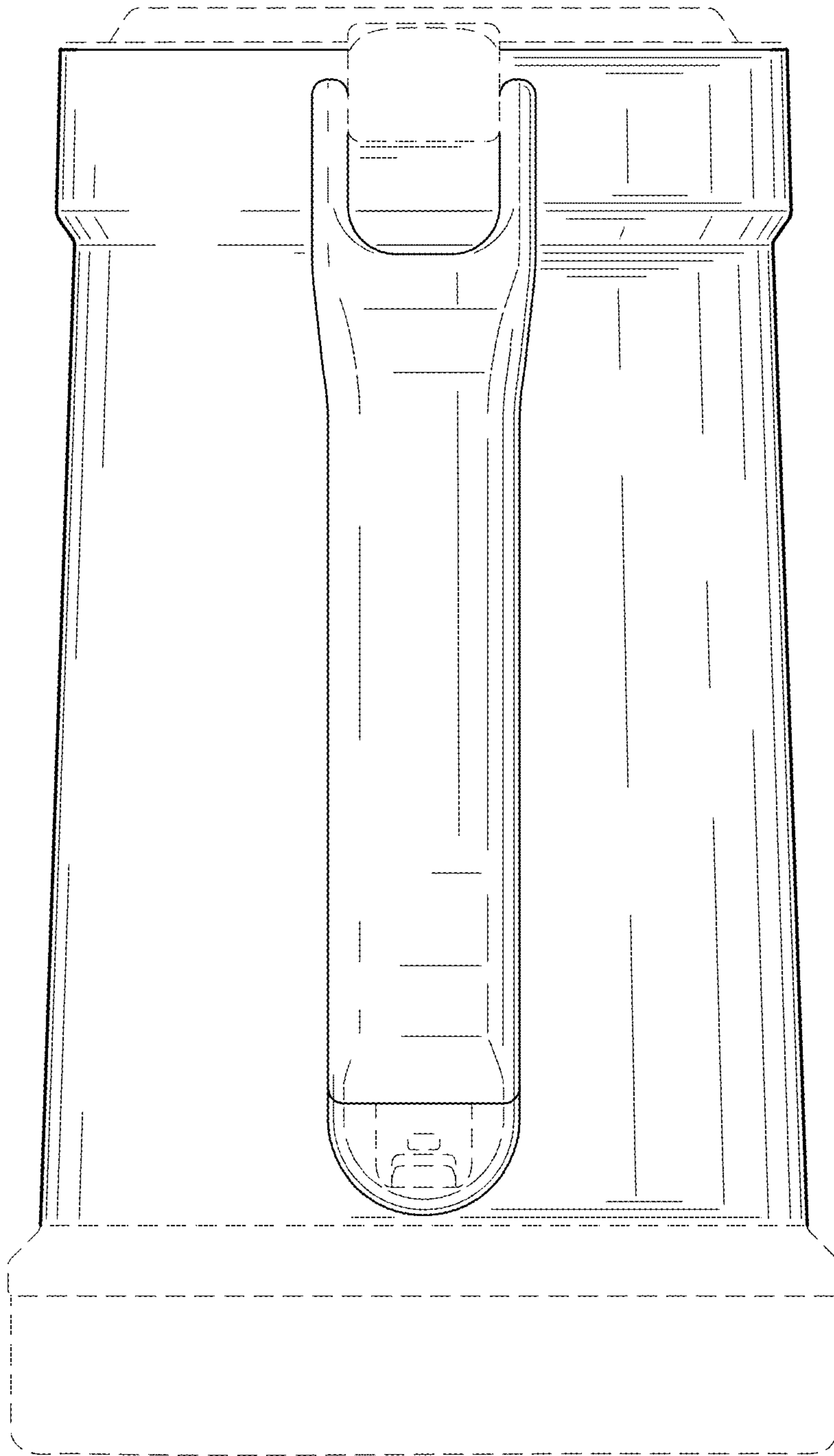


FIG. 12

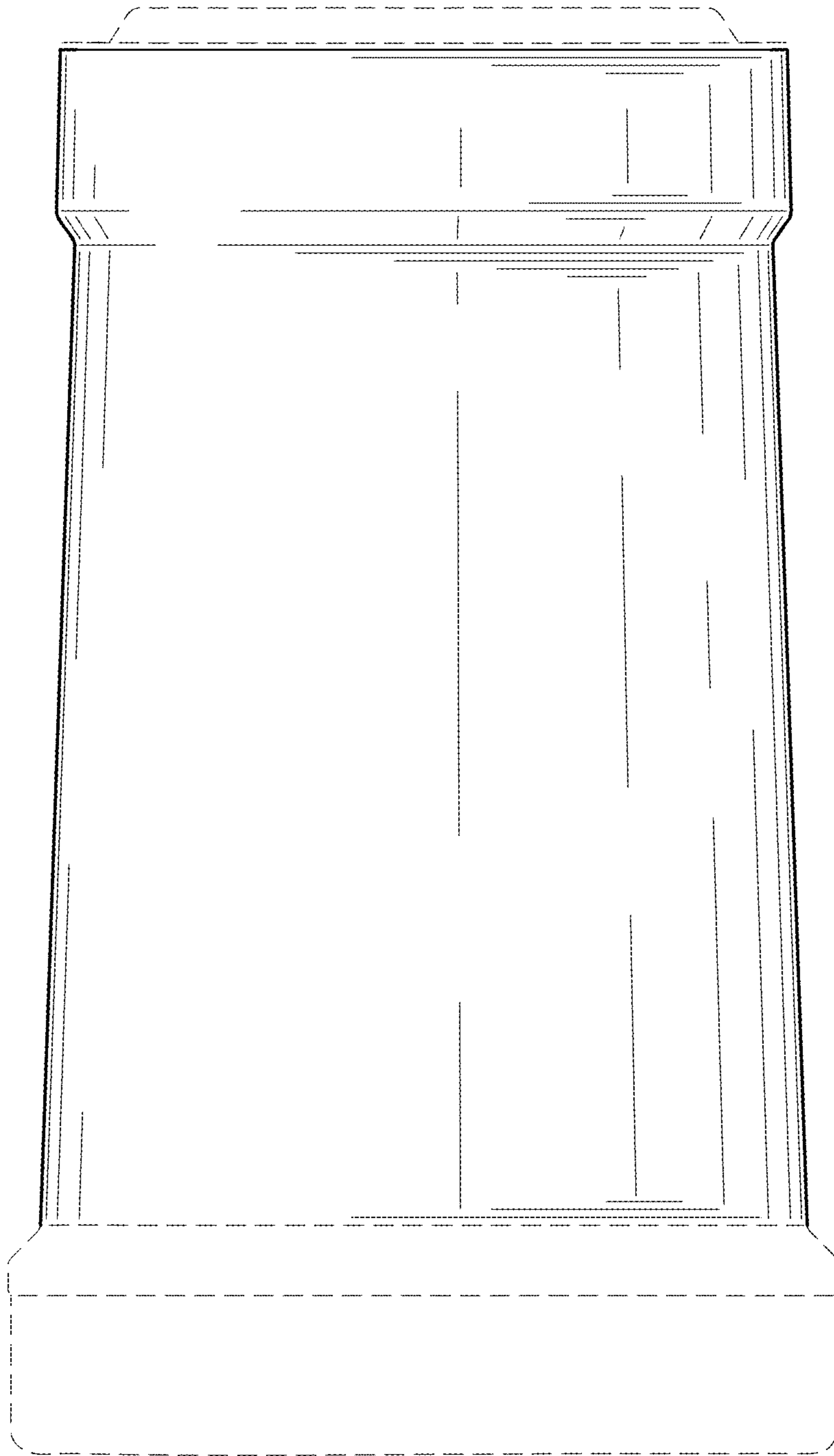


FIG. 13

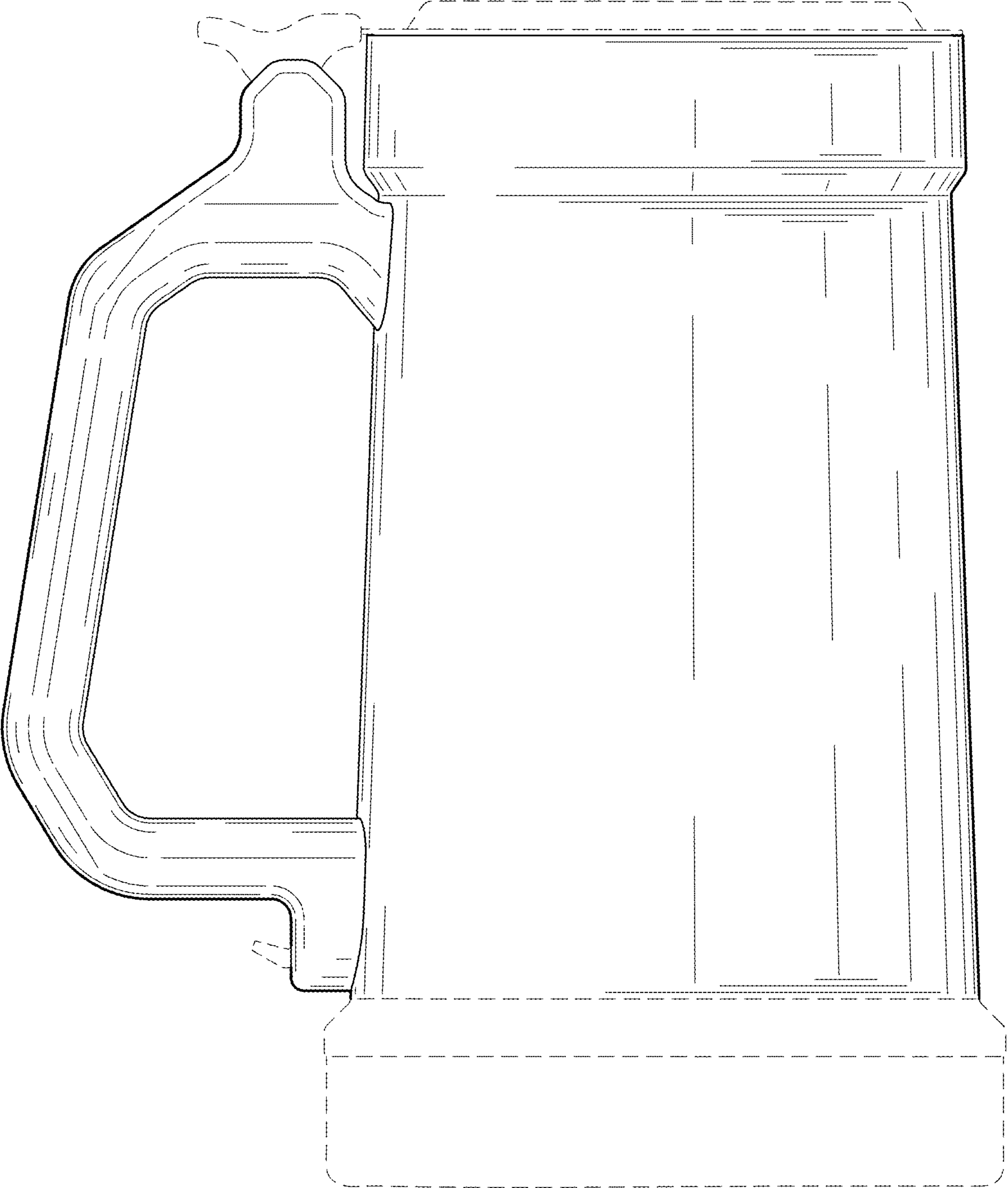


FIG. 14

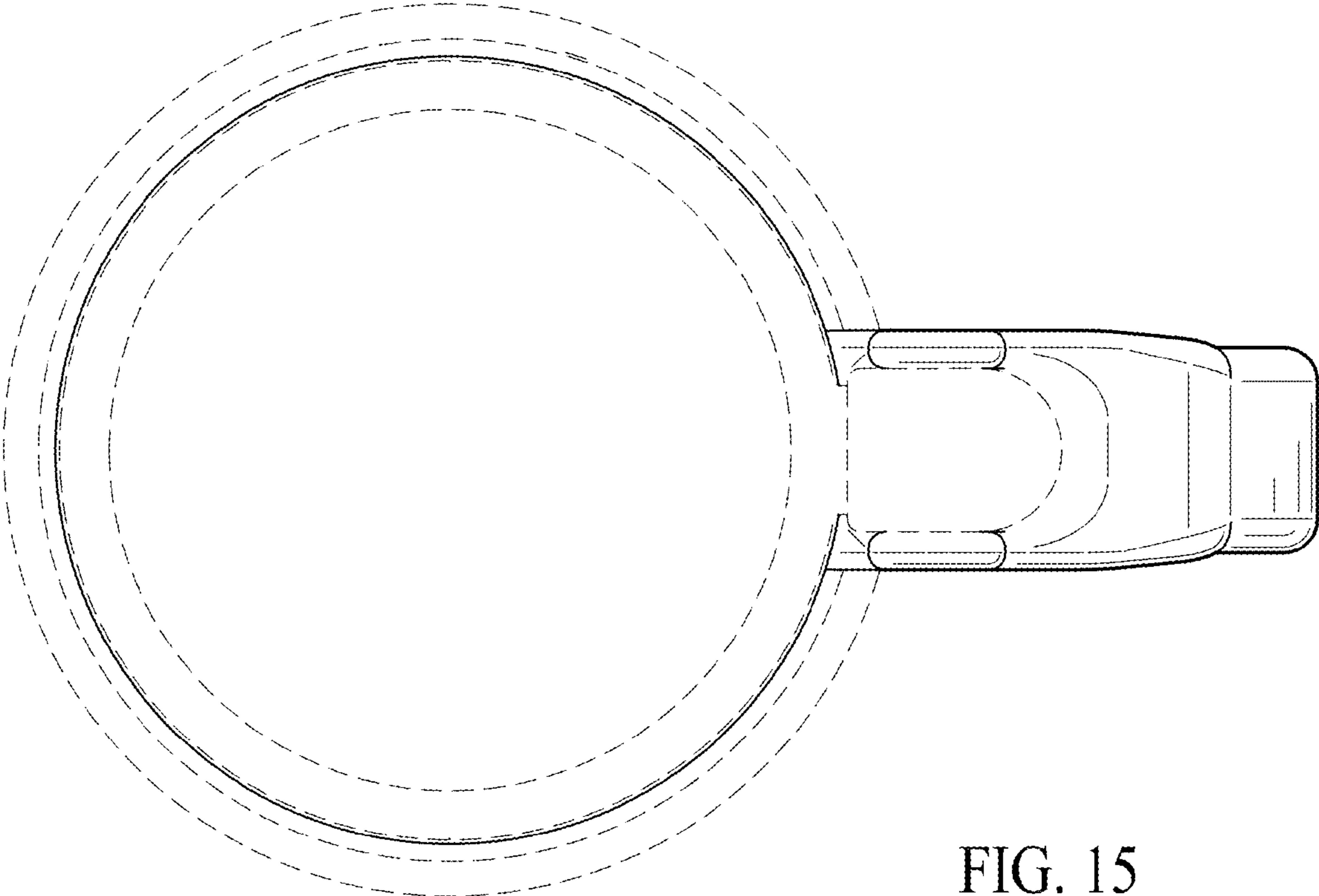


FIG. 15

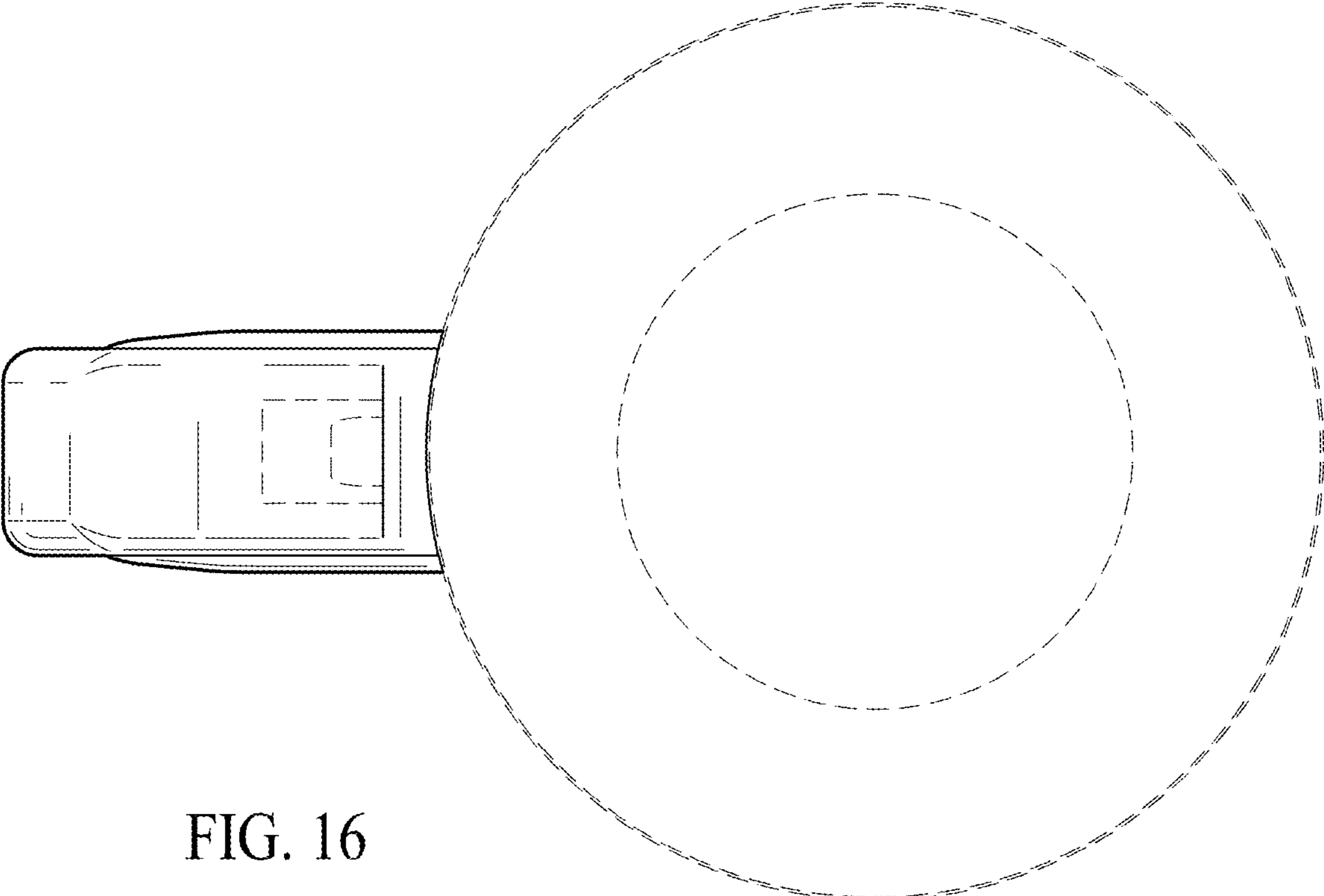


FIG. 16