



US00D974844S

(12) **United States Design Patent**  
**Riedel**

(10) **Patent No.:** **US D974,844 S**  
(45) **Date of Patent:** **\*\* Jan. 10, 2023**

- (54) **WINE GLASS**
- (71) Applicant: **GRUND & MOBIL VERWALTUNGS AG, Zug (CH)**
- (72) Inventor: **Georg Riedel, Kufstein (AT)**
- (73) Assignee: **GRUND & MOBIL VERWALTUNGS AG, Zug (CH)**
- (\*\*) Term: **15 Years**
- (21) Appl. No.: **29/762,878**
- (22) Filed: **Dec. 18, 2020**
- (51) **LOC (14) Cl.** ..... **07-01**
- (52) **U.S. Cl.**  
USPC ..... **D7/523; D7/532; D7/509; D7/524**
- (58) **Field of Classification Search**  
USPC ..... D3/202; D9/612, 680; D22/116, 108;  
D27/183; D7/507, 514, 523, 509, 510,  
D7/511, 392.1, 396.1, 396.2, 608, 900,  
D7/526, 531, 505, 392, 537, 519, 529,  
D7/213  
CPC . A47G 19/2205; A47G 19/2272; A47J 41/00;  
A47J 45/072; Y10S 220/903; B65D  
21/02; B65D 43/00  
See application file for complete search history.

D821,143 S *	6/2018	Cossu .....	D7/509
D834,374 S *	11/2018	Faulkner .....	D7/532
D850,856 S *	6/2019	Meller .....	D7/524
D909,817 S *	2/2021	Hume .....	D7/532
D929,807 S *	9/2021	Newson .....	D7/523
D930,439 S *	9/2021	Riedel .....	D7/524
D952,409 S *	5/2022	Joynson-Dickomeit .....	D7/532

**FOREIGN PATENT DOCUMENTS**

CN	307146607	*	3/2022
IN	260275-0001	*	11/2014
IN	260276-0001	*	11/2014
JP	D1546752	*	3/2016

**OTHER PUBLICATIONS**

Gabriel-Glas [online] URL: <https://www.amazon.com/Gabriel-Glas-Stemless-Austrian-Crystal-DrinkArt/dp/B092LCWGD1> (site visited: Jun. 21, 2022) (Year: 2021).\*

Josephine [online] URL: <https://us.josephinen.com/products/josephine-3> (site visited: Jun. 21, 2022) (Year: 2021).\*

Riedel [online] URL: <https://www.amazon.com/dp/B08XC1N16P> (site visited: Jun. 21, 2022) (Year: 2021).\*

\* cited by examiner

*Primary Examiner* — Jae Liang  
*Assistant Examiner* — Tia Ruth-Renee Polidori  
 (74) *Attorney, Agent, or Firm* — Lucas & Mercanti, LLP;  
 Klaus P. Stoffel

(56) **References Cited**

**U.S. PATENT DOCUMENTS**

D140,658 S *	3/1945	Erbe .....	D7/523
D228,217 S *	8/1973	Achenbach .....	D7/523
D378,795 S *	4/1997	King .....	D7/624.2
D404,254 S *	1/1999	Asberg .....	D9/500
D422,101 S *	3/2000	Barraclough .....	D26/9
D513,687 S *	1/2006	Destrooper .....	D7/523
D621,662 S *	8/2010	Karaca .....	D7/537
D692,725 S *	11/2013	Lehmann .....	D7/524
D746,108 S *	12/2015	Di Giuseppantonio .....	D7/509
D779,886 S *	2/2017	Singlaub .....	D7/532

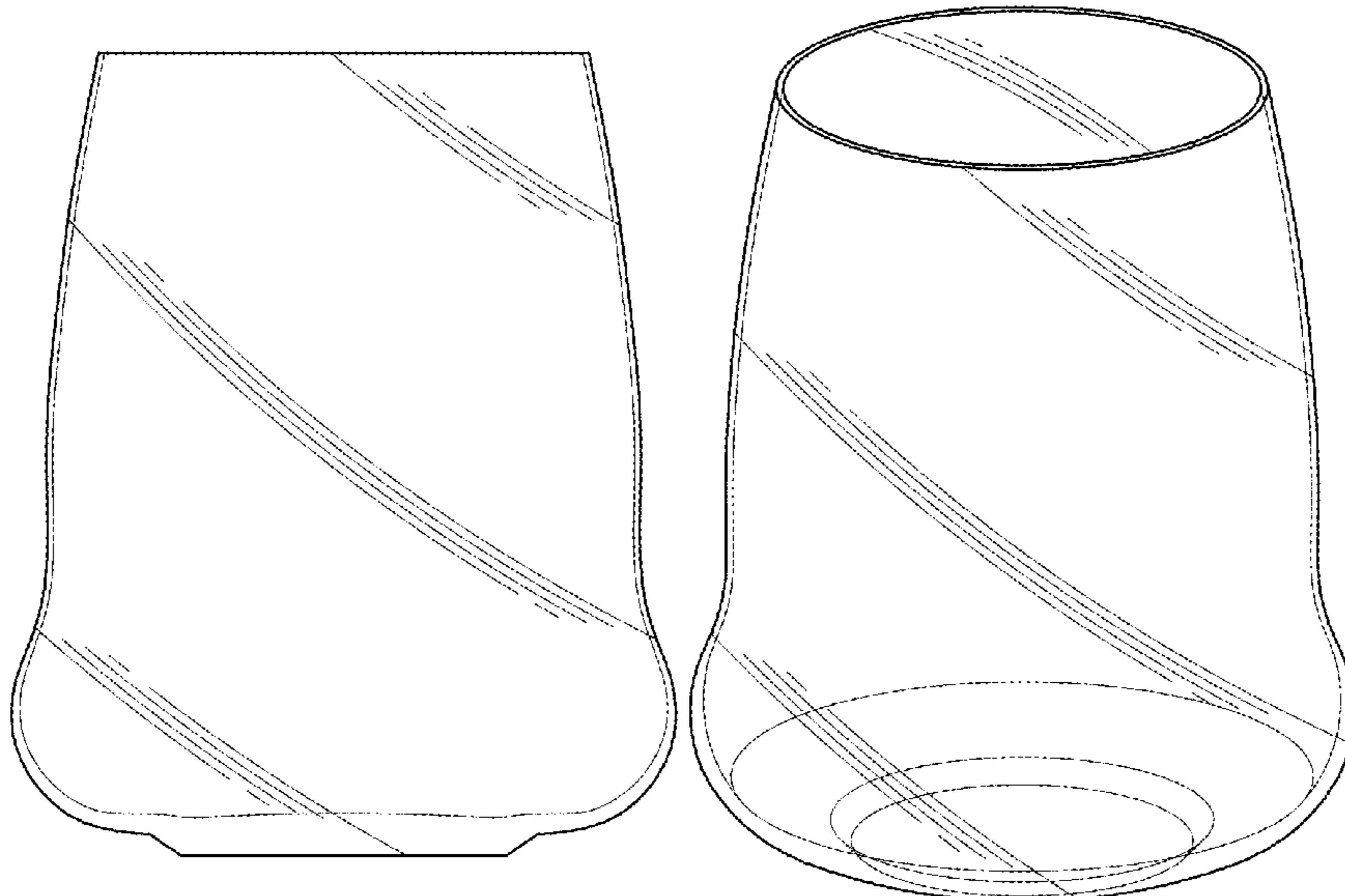
(57) **CLAIM**

The ornamental design for a wine glass, as shown and described.

**DESCRIPTION**

FIG. 1 is a side elevation view of my new design for a wine glass;  
 FIG. 2 is a top perspective view thereof; and,  
 FIG. 3 is a top plan view thereof.

**1 Claim, 2 Drawing Sheets**



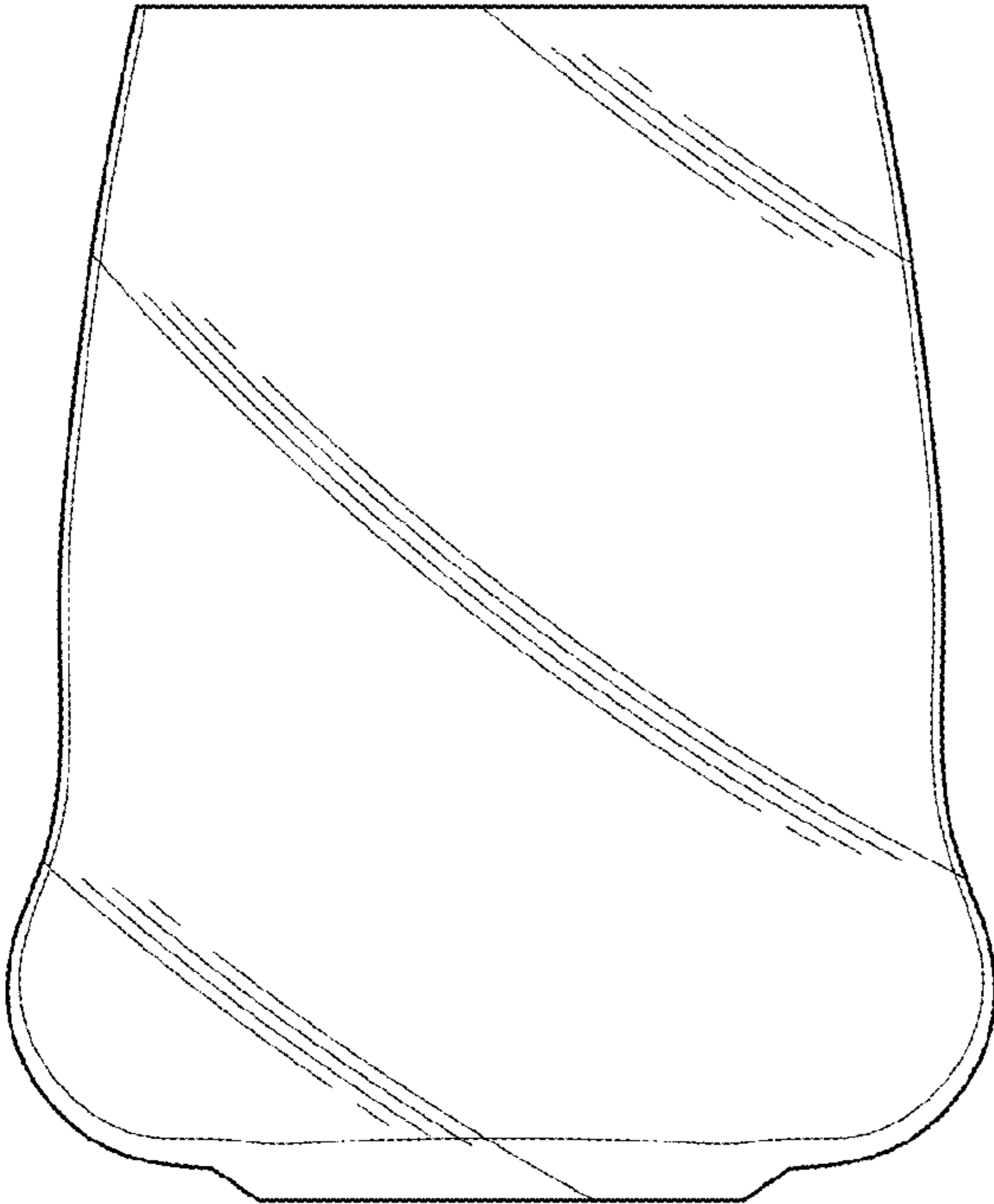


FIG. 1

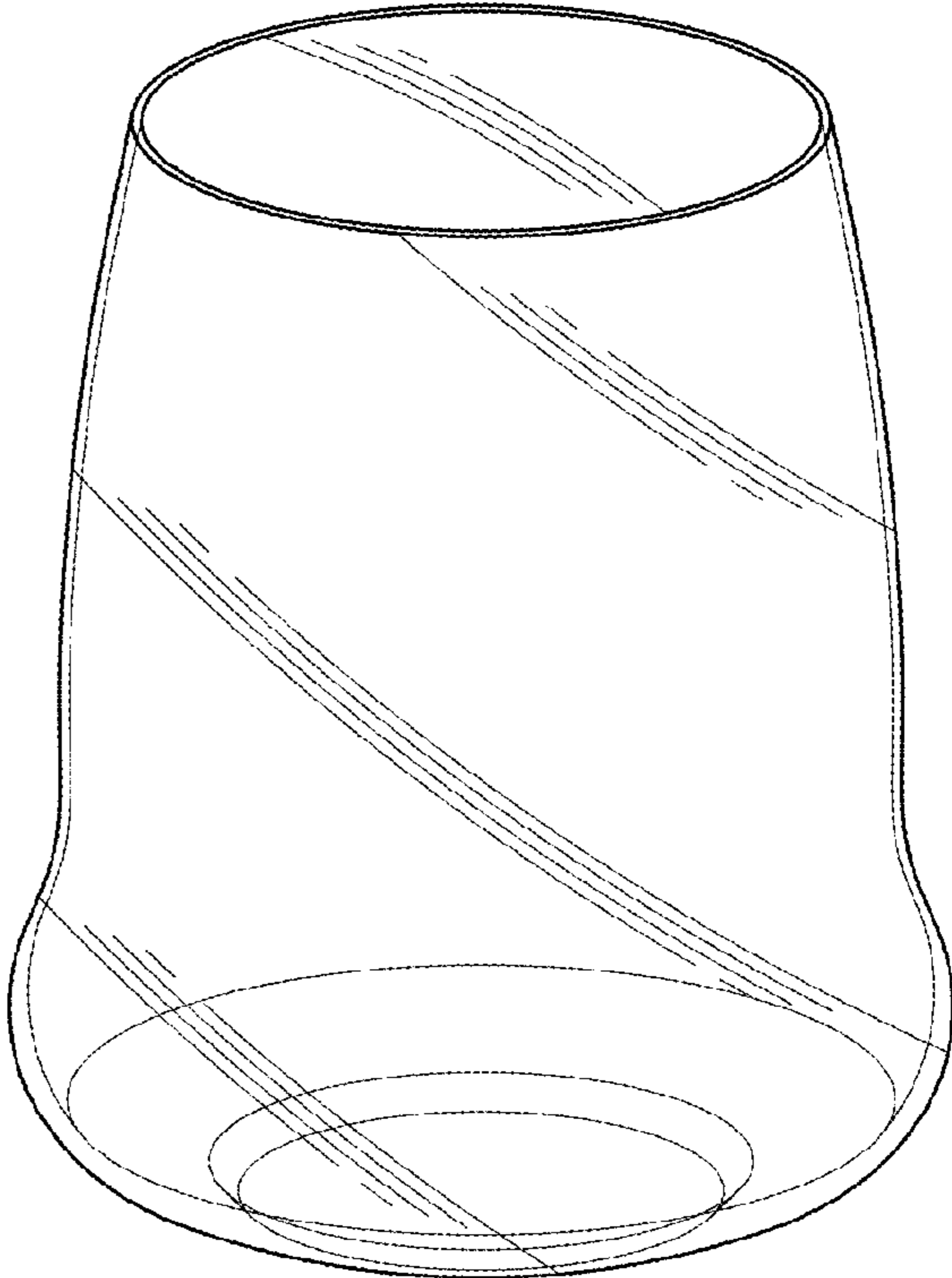


FIG. 2

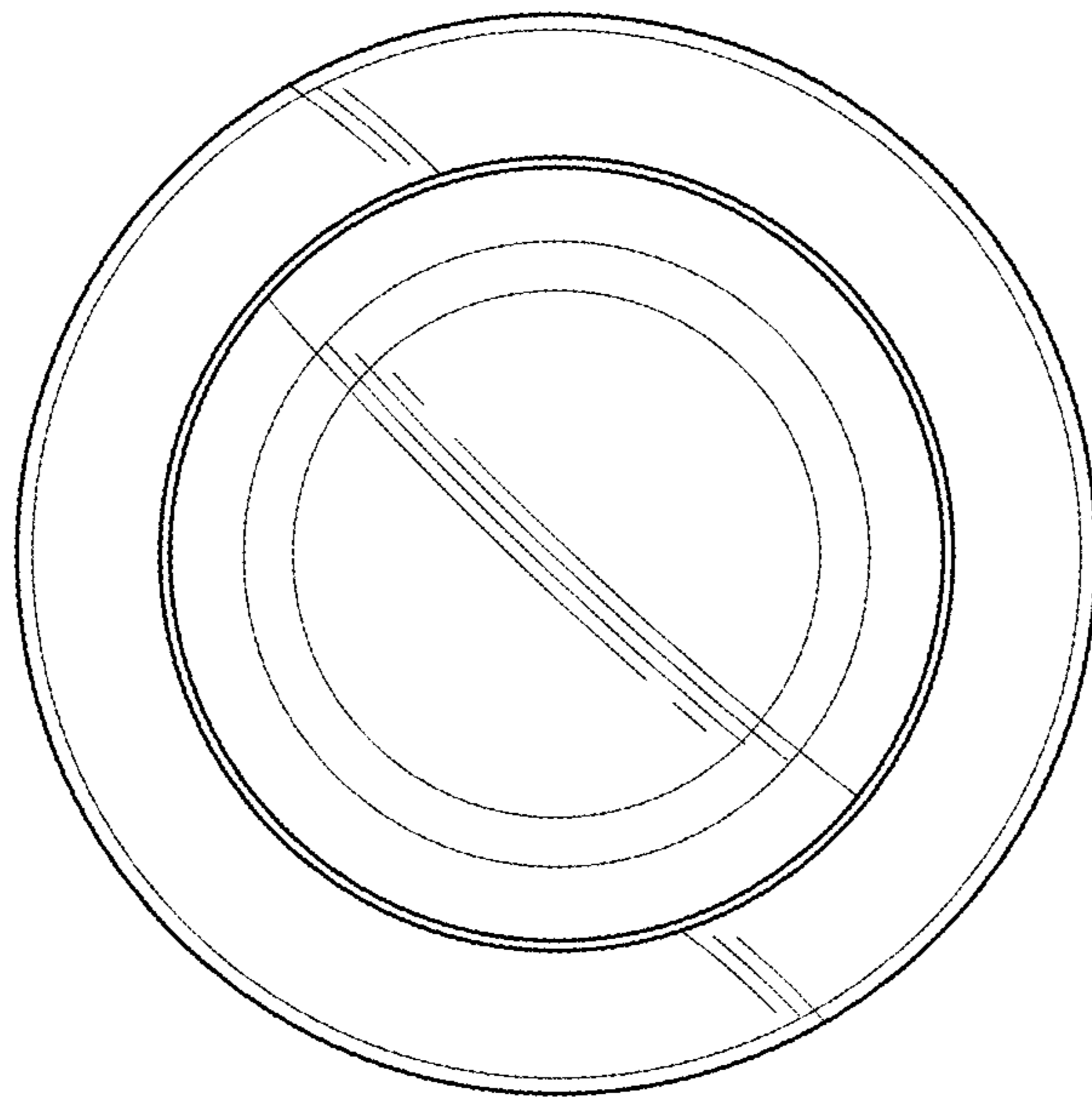


FIG. 3