



US00D974843S

(12) **United States Design Patent**
Serekilevu

(10) **Patent No.:** **US D974,843 S**
(45) **Date of Patent:** **** Jan. 10, 2023**

(54) **COFFEE MUG**

(71) Applicant: **Serevi Serekilevu**, Oroville, CA (US)

(72) Inventor: **Serevi Serekilevu**, Oroville, CA (US)

(**) Term: **15 Years**

(21) Appl. No.: **29/758,777**

(22) Filed: **Nov. 18, 2020**

(51) **LOC (14) Cl.** **07-01**

(52) **U.S. Cl.**

USPC **D7/509**; D7/533

(58) **Field of Classification Search**

USPC D7/507, 509, 510, 511, 529, 531, 532,
D7/523, 533, 534, 535, 536, 392.1, 396.1,
D7/396.2, 300.1, 608; D3/202; D9/500,
D9/531, 516, 517, 549

CPC A47G 19/22; A47G 19/2288; A47G
19/2205; A47J 41/0077; A47J 41/0088

See application file for complete search history.

(56) **References Cited**

U.S. PATENT DOCUMENTS

5,040,317 A	8/1991	Kadjevich	
5,894,948 A	4/1999	Yeh	
D455,047 S *	4/2002	Wolfe	D7/514
D455,048 S *	4/2002	Marek	D7/514
D455,933 S *	4/2002	Marek	D7/514
D588,497 S *	3/2009	Claffey	D11/157
D625,559 S *	10/2010	Claffey	D7/505
D856,086 S	8/2019	Goulet Dubois	
D882,343 S	4/2020	Rane et al.	
D884,429 S	5/2020	Trachtenberg	
D888,505 S	6/2020	Seiders et al.	
2008/0101056 A1	5/2008	Bhavnani	

FOREIGN PATENT DOCUMENTS

CN	307031618	* 12/2021
EM	007546833-0013	* 5/2020

OTHER PUBLICATIONS

Hashtag Mug [online] URL: https://www.cafepress.com/mf/92544285/customizable-hashtag_mugs?productId=1371966997 (site visited: Jan. 28, 2022) (Year: 2016).*

Geometric Stock Vector [online] URL: <https://www.alamy.com/letter-x-up-design-outline-geometric-3d-flat-logo-vector-image448268930.html> (site visited: Jan. 28, 2022) (Year: 2021).*

Stock Vector [online] URL: <https://www.agefotostock.com/age/en/details-photo/x-letter-logo-template-vector-icon-illustration-design/ESY-040963128> (site visited: Jan. 28, 2022) (Year: 2022).*

Funny Creation [online] URL: <https://funnygiftscreation.com/products/im-stronger-than-coronavirus-mug-funny-gift-idea-covid-19-desease-virus-flu-pandemic-coffee-tea-cup> (site visited: May 24, 2022) (Year: 2022).*

Nanuikalou Logistics [online] URL: <https://www.strongerthancoronavirus.org/product-page/white-glossy-mug> (site visited: Aug. 15, 2022) (Year: 2022).*

* cited by examiner

Primary Examiner — Jae Liang

Assistant Examiner — Tia Ruth-Renee Polidori

(74) *Attorney, Agent, or Firm* — Suzanne Kikel

(57) **CLAIM**

The ornamental design for a coffee mug, as shown and described.

DESCRIPTION

FIG. 1 is a front perspective view of a coffee mug, showing my new design;

FIG. 2 is a front view thereof;

FIG. 3 is a rear view thereof;

FIG. 4 is a left side view thereof;

FIG. 5 is a right side view thereof;

FIG. 6 is a top view thereof; and,

FIG. 7 is a bottom view of FIG. 3.

The portions of the coffee mug shown in broken line form no part of the claimed design.

1 Claim, 4 Drawing Sheets

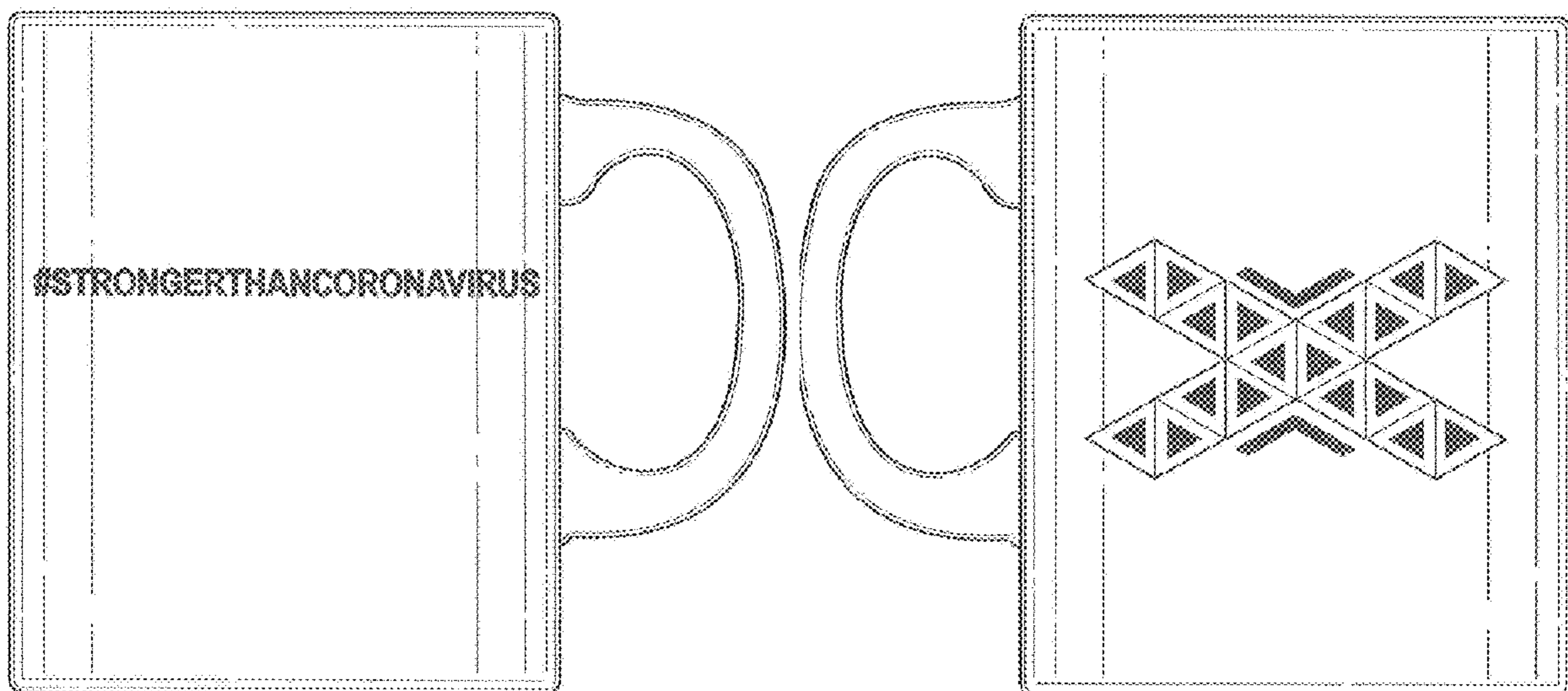




FIG. 1

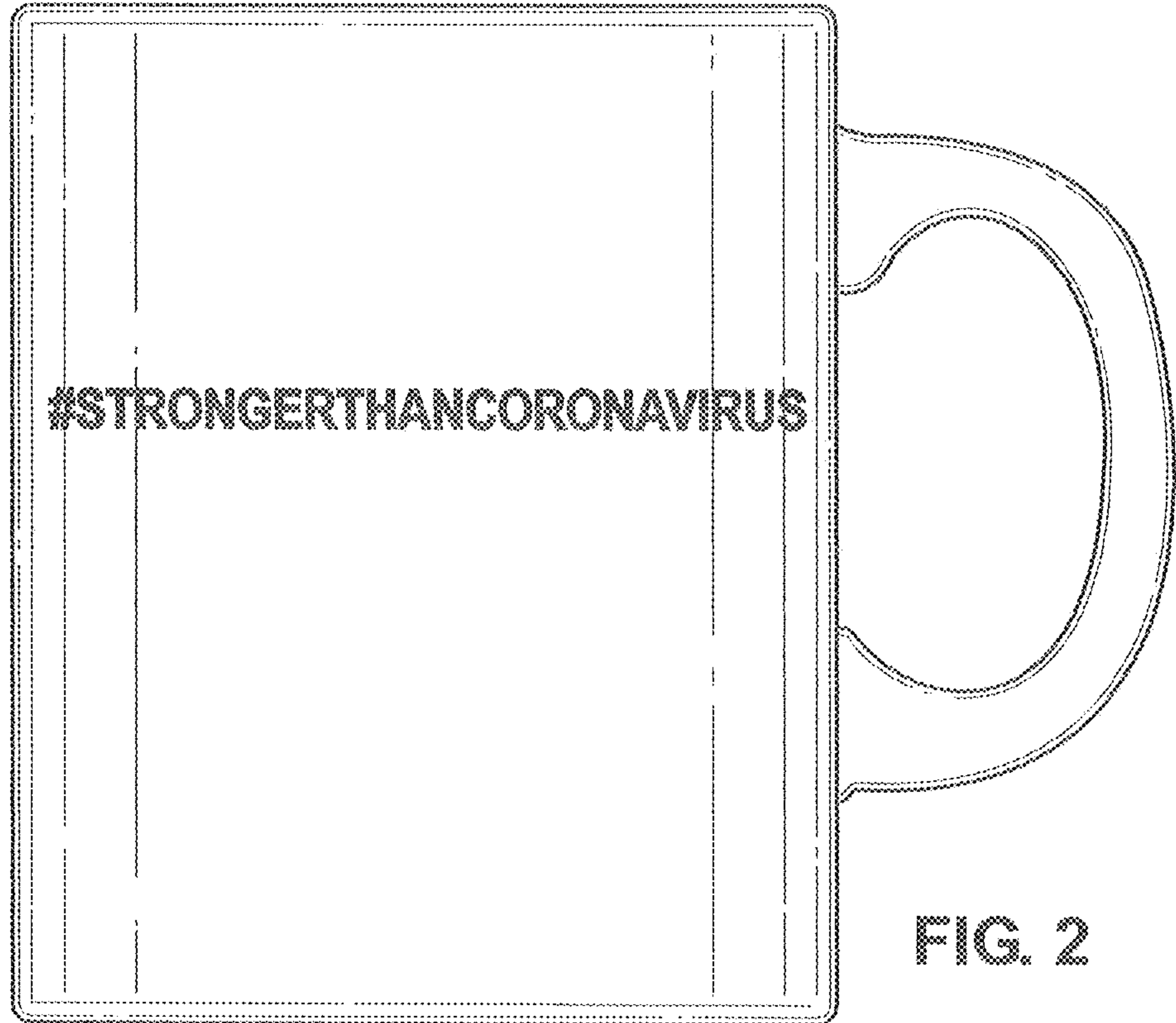


FIG. 2

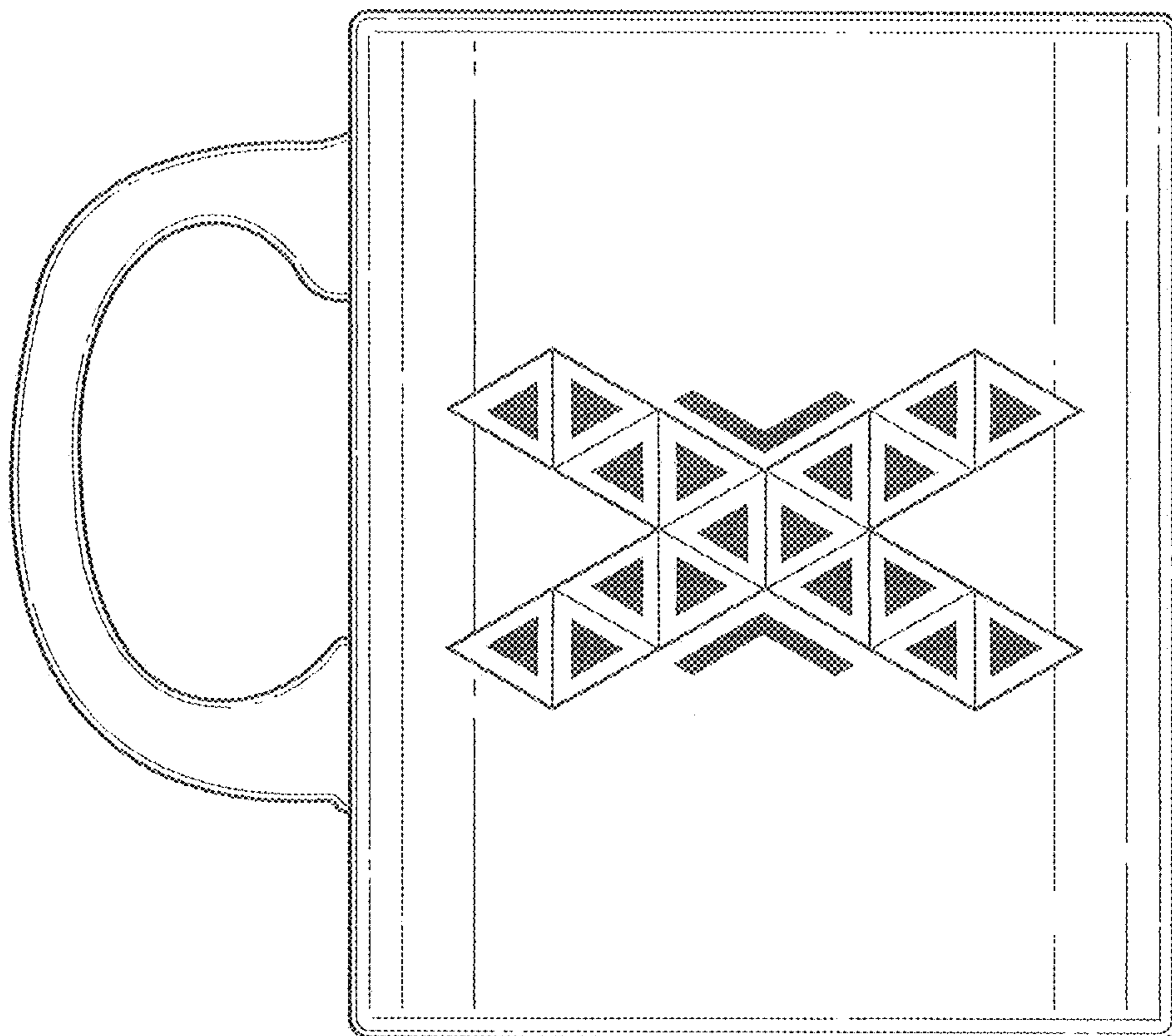


FIG. 3

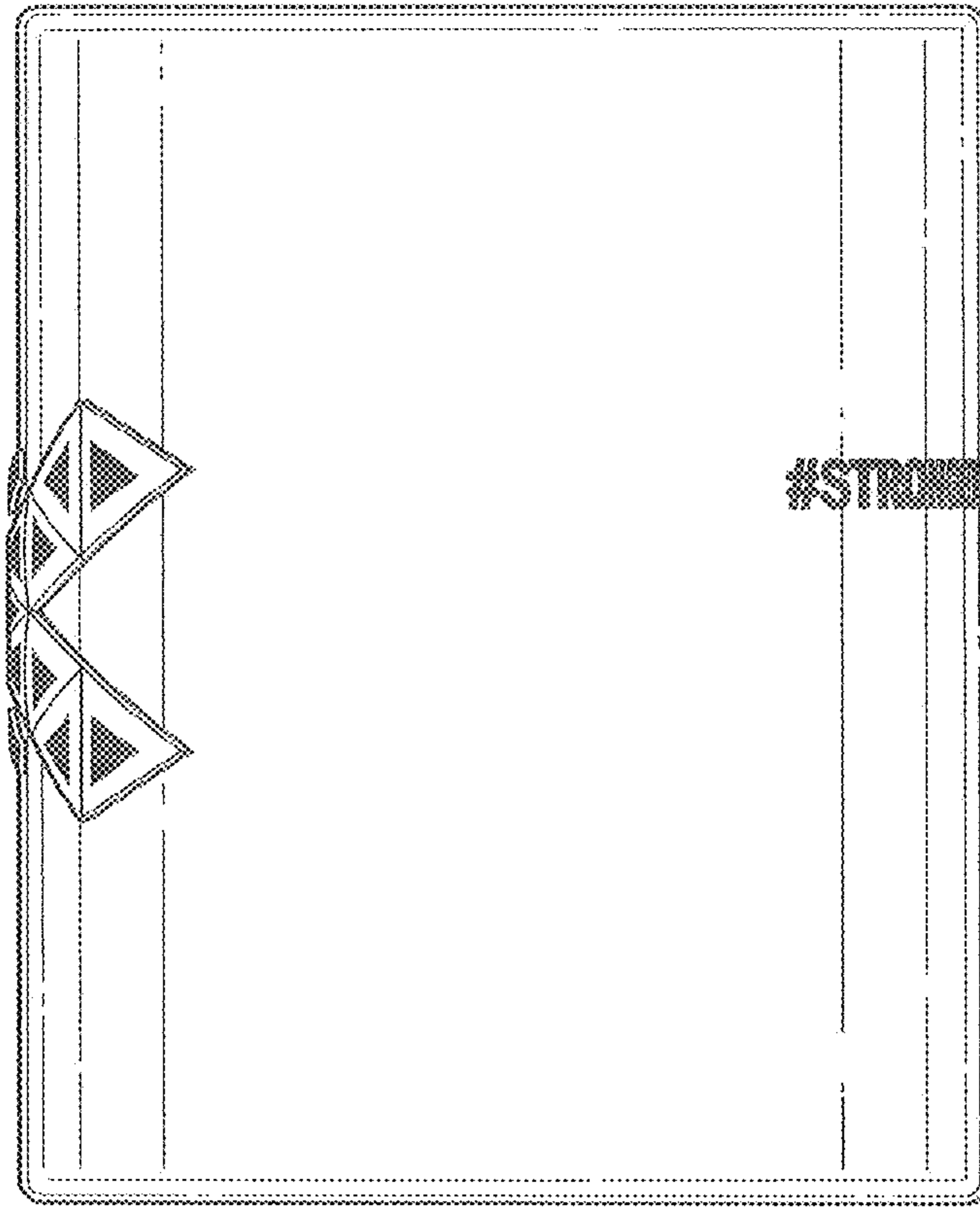


FIG. 4

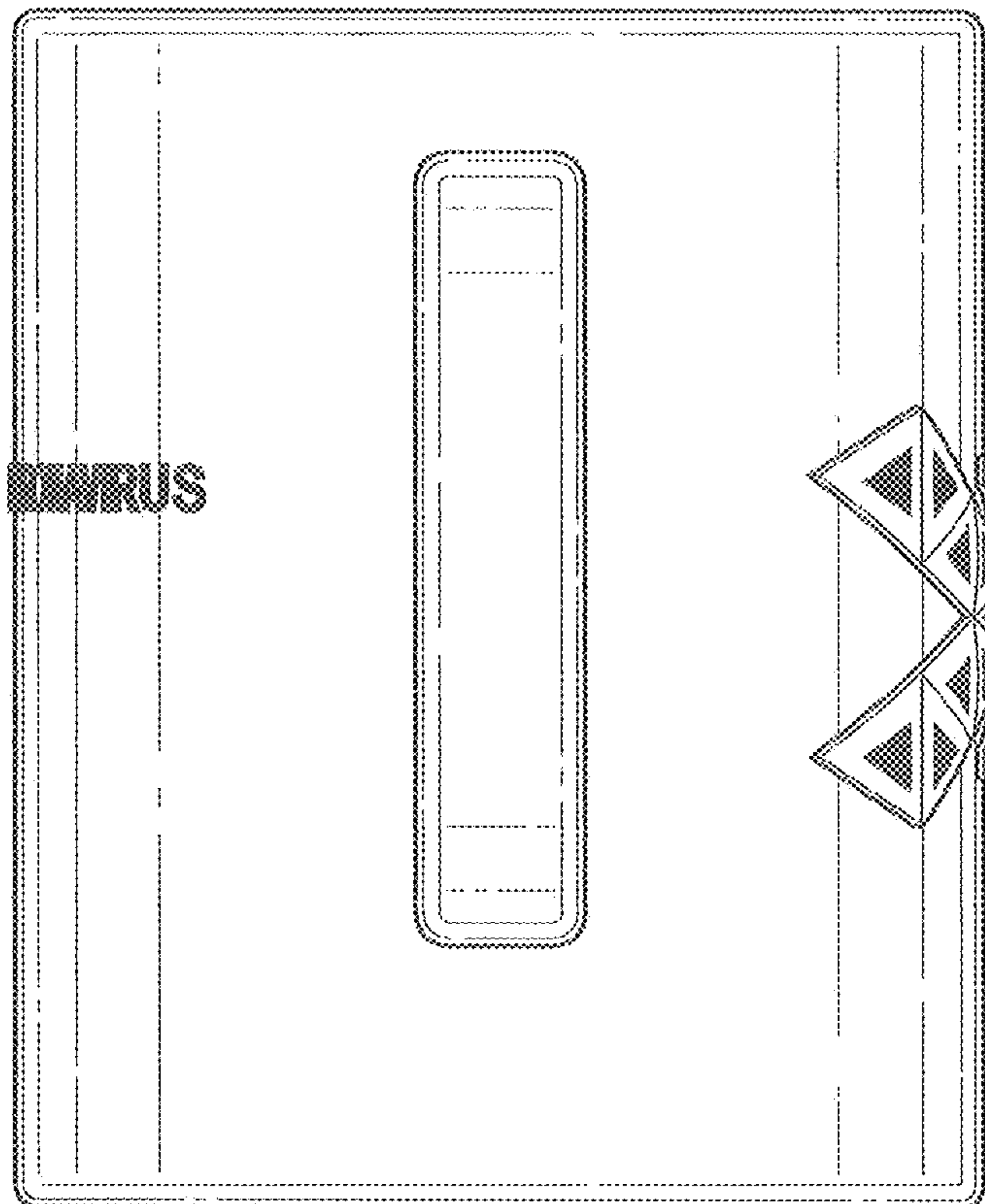


FIG. 5

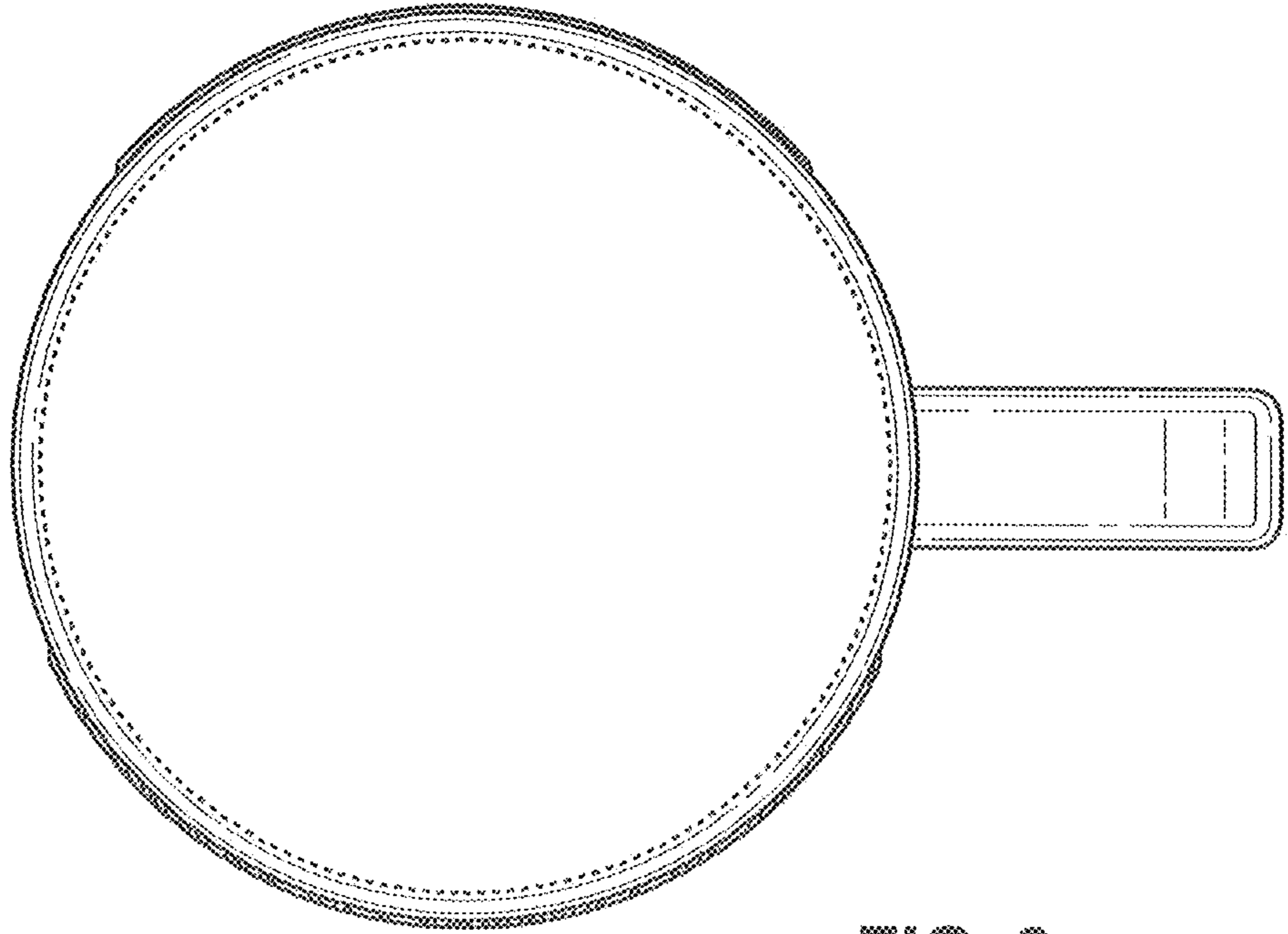


FIG. 6

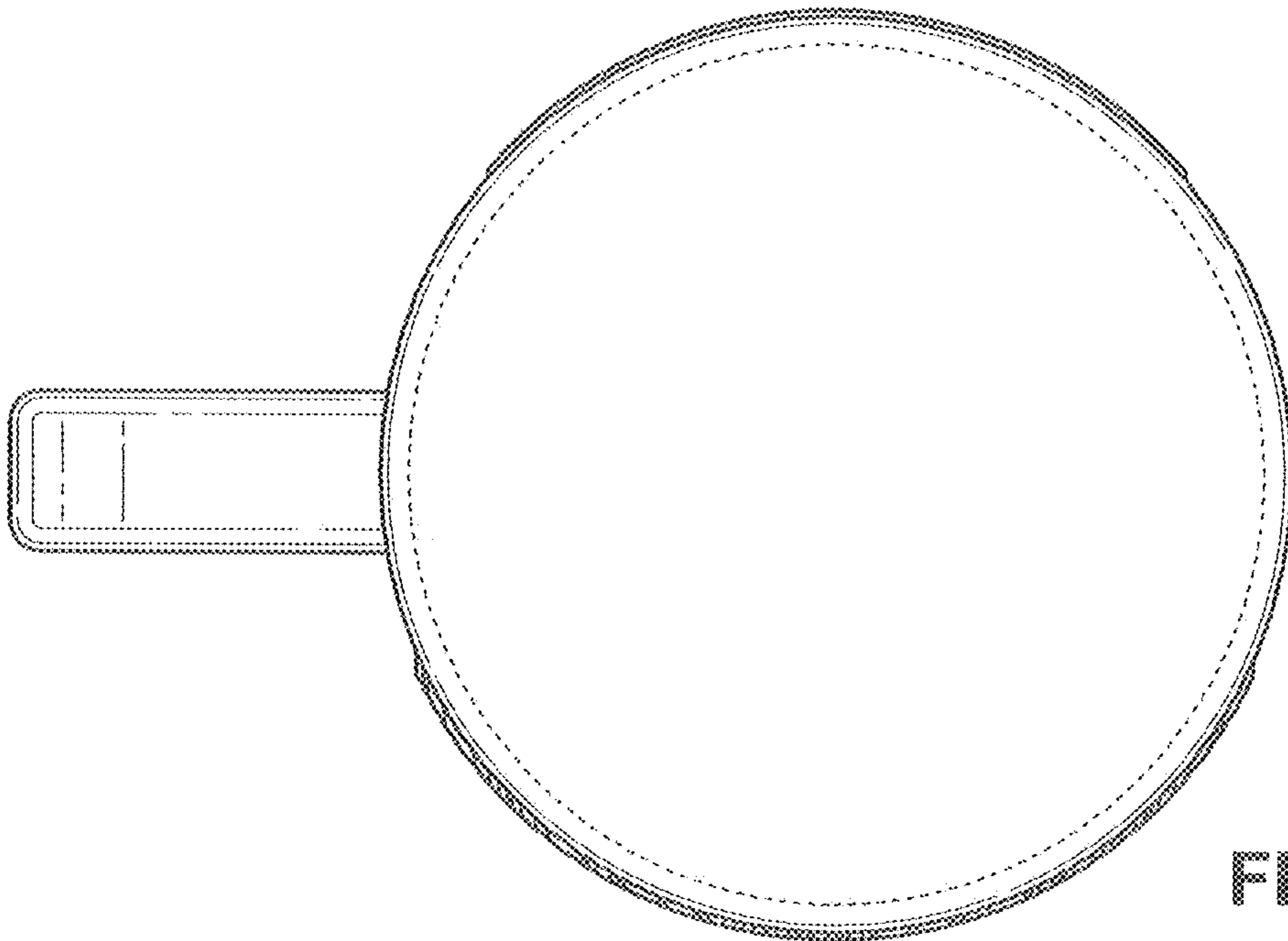


FIG. 7