



US00D974842S

(12) **United States Design Patent**
Wei

(10) **Patent No.:** **US D974,842 S**
(45) **Date of Patent:** **** Jan. 10, 2023**

(54) **ELECTRIC SHAKER BOTTLE**

(71) Applicant: **Guoxin Wei**, Guangdong (CN)

(72) Inventor: **Guoxin Wei**, Guangdong (CN)

(**) Term: **15 Years**

(21) Appl. No.: **29/814,594**

(22) Filed: **Nov. 8, 2021**

(51) **LOC (14) Cl.** **07-01**

(52) **U.S. Cl.**

USPC **D7/507; D7/378**

(58) **Field of Classification Search**

USPC D7/507, 523, 509, 510, 511, 392.1,
D7/396.1, 396.2, 608, 900, 531, 543,
D7/300.1, 378; D3/202

CPC . A47G 19/2205; A47G 19/2272; A47J 41/00;
Y10S 220/903; B65D 43/00

See application file for complete search history.

(56) **References Cited**

U.S. PATENT DOCUMENTS

D548,523	S	*	8/2007	Greenspon	D7/511
D609,053	S	*	2/2010	Dingenouts	D7/529
D624,361	S	*	9/2010	Roth	D7/509
D666,057	S	*	8/2012	Theuretzbacher	D7/378
RE45,055	E	*	8/2014	Roth	D7/392.1
D721,276	S	*	1/2015	Herbst	D9/449
D726,499	S	*	4/2015	Kim	D7/510
D740,072	S	*	10/2015	Eyal	D7/529
D740,610	S	*	10/2015	Eyal	D7/529
D832,640	S	*	11/2018	Blofeld	D7/378
10,143,980	B1	*	12/2018	Marko	B01F 35/51
D843,775	S	*	3/2019	Blofeld	D7/415
D856,064	S	*	8/2019	Baron	D7/392.1
D878,842	S	*	3/2020	Wei	
D941,072	S	*	1/2022	Jiang	D7/300.1

FOREIGN PATENT DOCUMENTS

CN	305087248	*	3/2019
CN	306361703	*	3/2021
EM	003616135-0001	*	1/2017
GB	6034140	*	4/2018
IN	340373-001-0001	*	3/2021

OTHER PUBLICATIONS

Voltrix [online] URL: <https://www.amazon.com/VOLTRX-Premium-Electric-Protein-Shaker/dp/B07QP13BJ9> (site visited: Jul. 6, 2022) (Year: 2019).*

Genix [online] URL: <https://www.amazon.com/dp/B09NGNG2CW> (site visited: Jul. 6, 2022) (Year: 2021).*

Tauspace [online] URL: <https://www.amazon.com/TAUSPACE-Free-Tritan-Mixes-Portable-Rechargeable-Cup/dp/B09P1F3ZM3> (site visited: Jul. 6, 2022) (Year: 2021).*

Voltrix [online] URL: <https://www.voltrixsports.com/product/voltrix-vortexboost-limited-electric-shaker-bottle-colored-base-cyan/> (site visited: Jul. 6, 2022) (Year: 2022).*

* cited by examiner

Primary Examiner — Jae Liang

Assistant Examiner — Tia Ruth-Renee Polidori

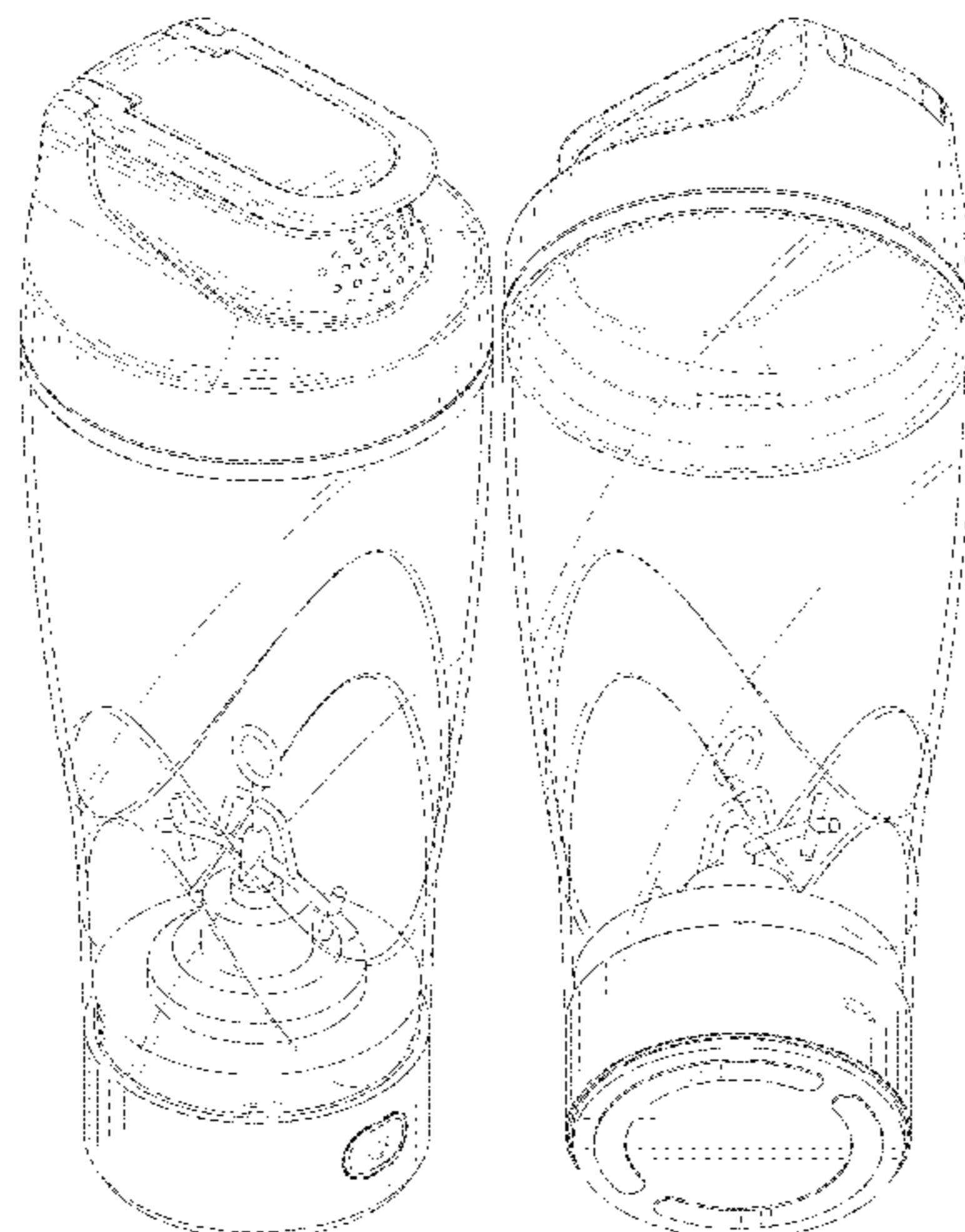
(57) **CLAIM**

The ornamental design for an electric shaker bottle, as shown and described.

DESCRIPTION

FIG. 1 is a front and top perspective view of an electric shaker bottle, showing my new design;
FIG. 2 is a rear and bottom perspective view thereof;
FIG. 3 is a front elevation view thereof;
FIG. 4 is a rear elevation view thereof;
FIG. 5 is a left side elevation view thereof;
FIG. 6 is a right side elevation view thereof;
FIG. 7 is a top plan view thereof;
FIG. 8 is a bottom plan view thereof; and,
FIG. 9 is an exploded view thereof.
The broken lines in the figures illustrate portions of the electric shaker bottle that form no part of the claimed design.

1 Claim, 9 Drawing Sheets



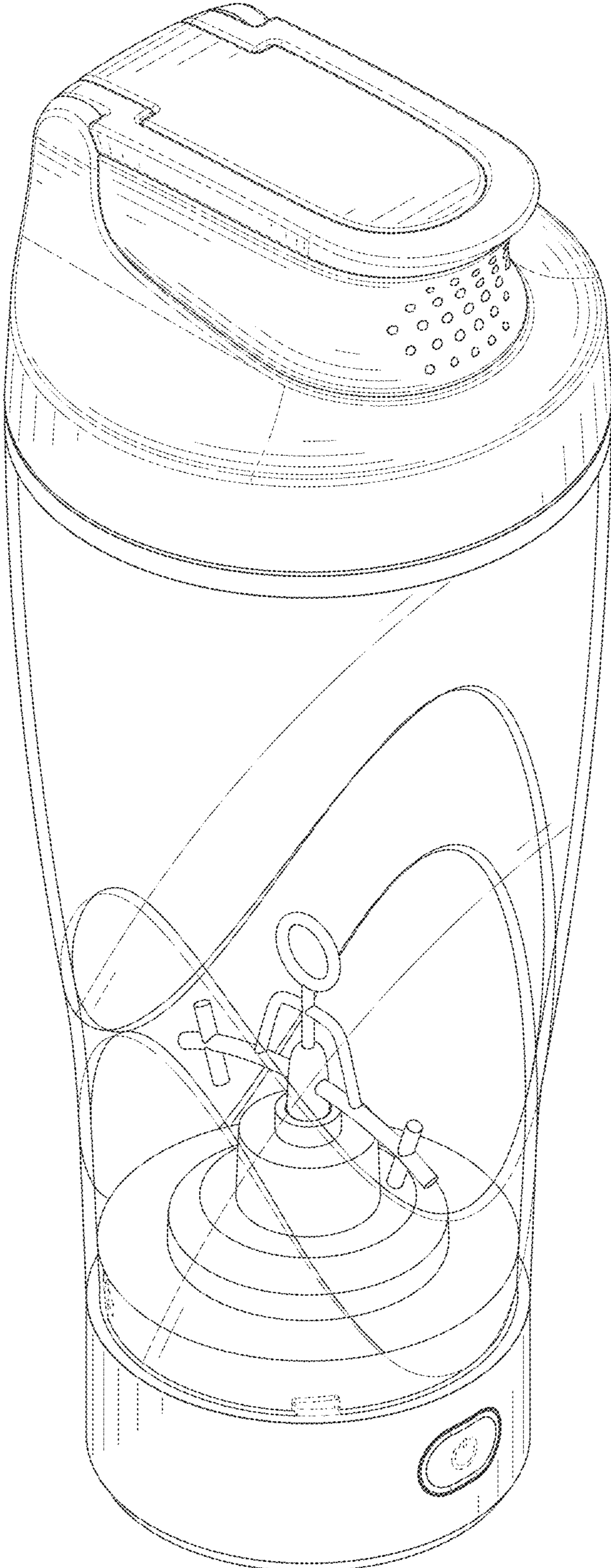


FIG. 1

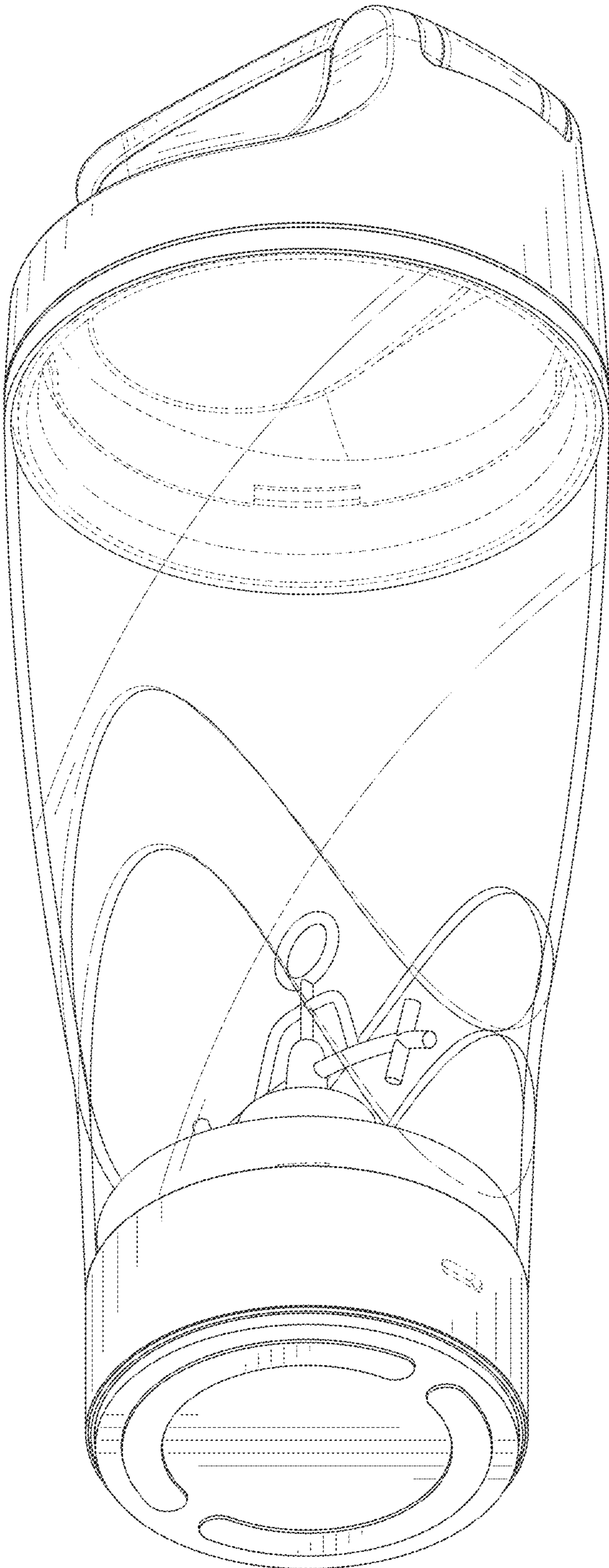


FIG. 2

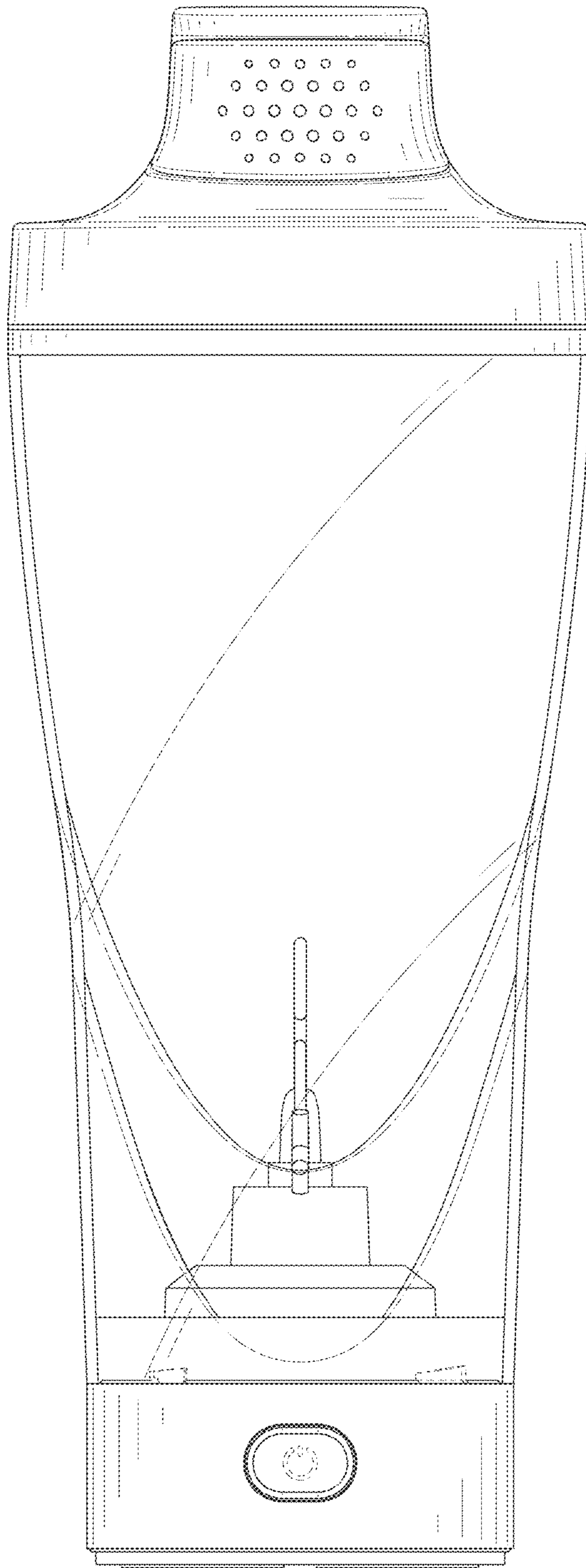


FIG. 3

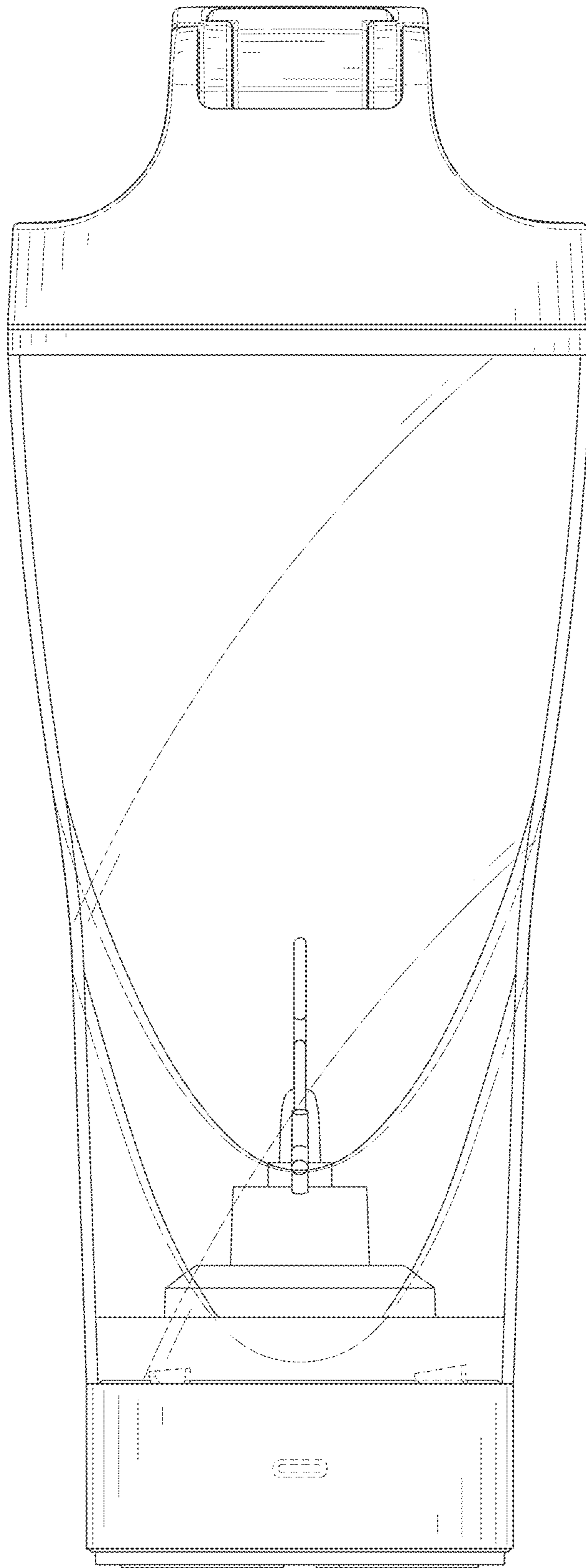


FIG. 4

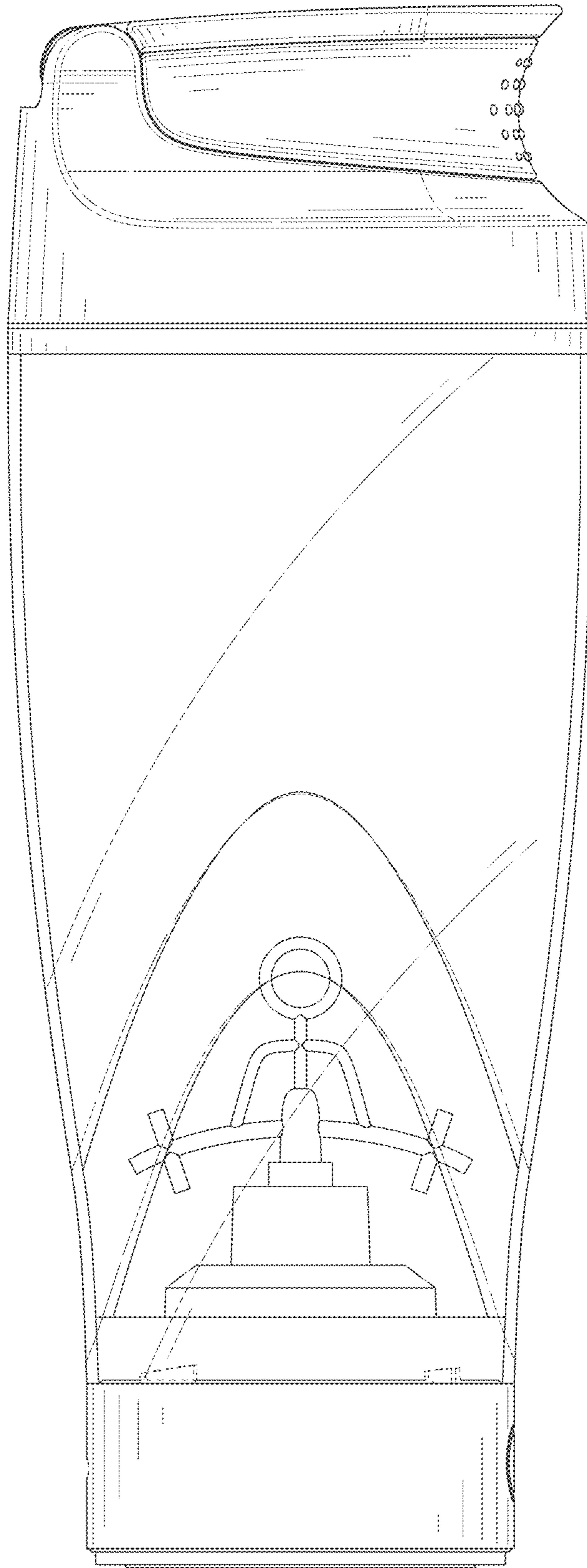


FIG. 5

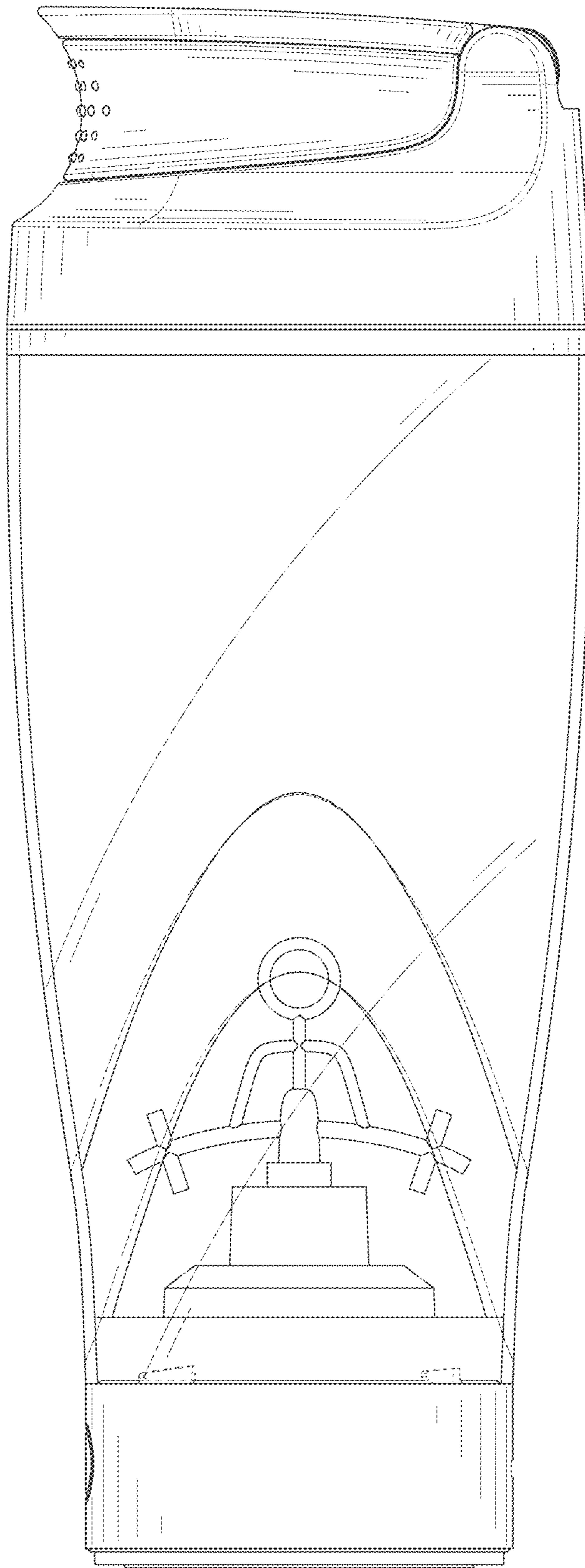


FIG. 6

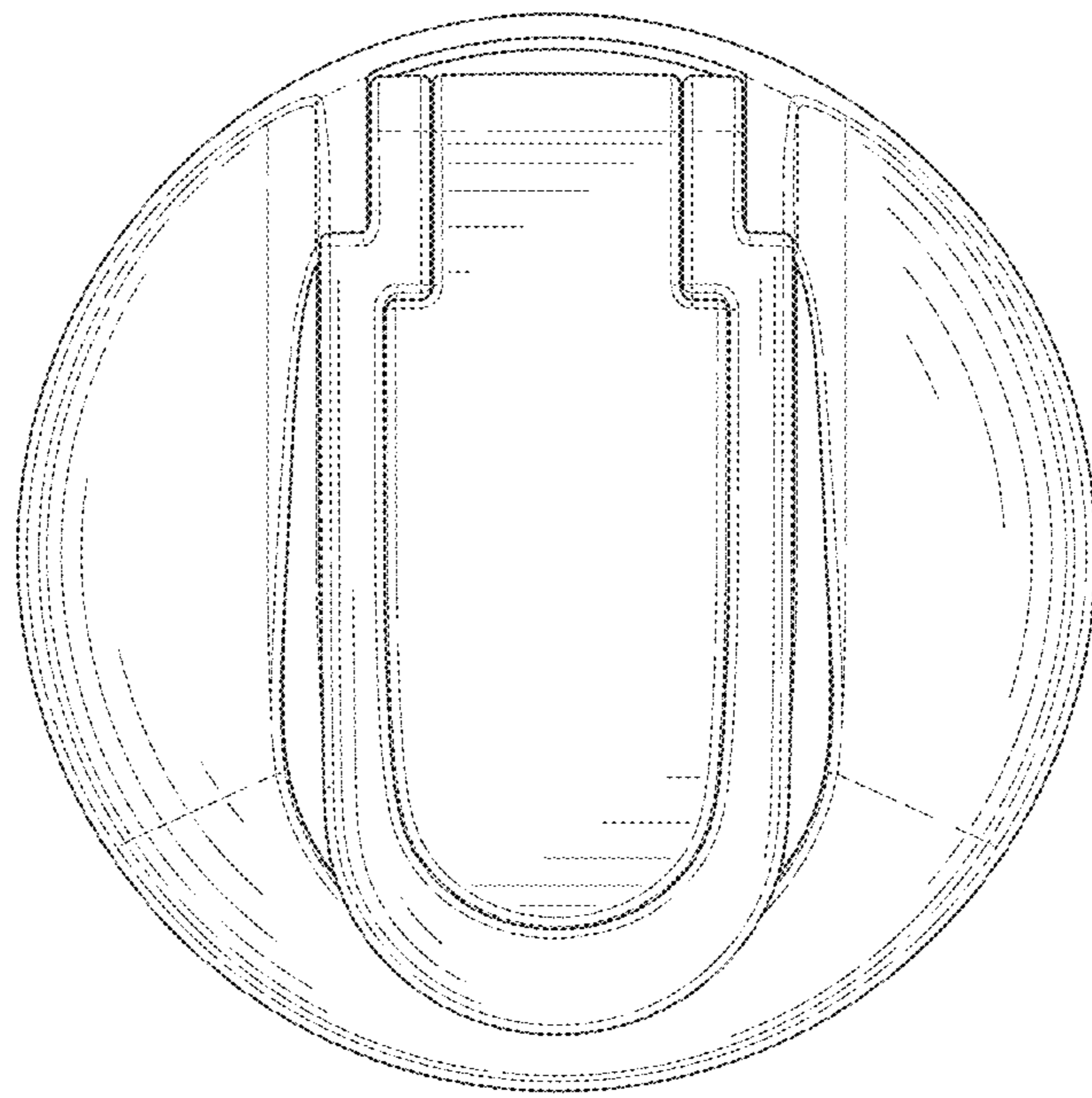


FIG. 7

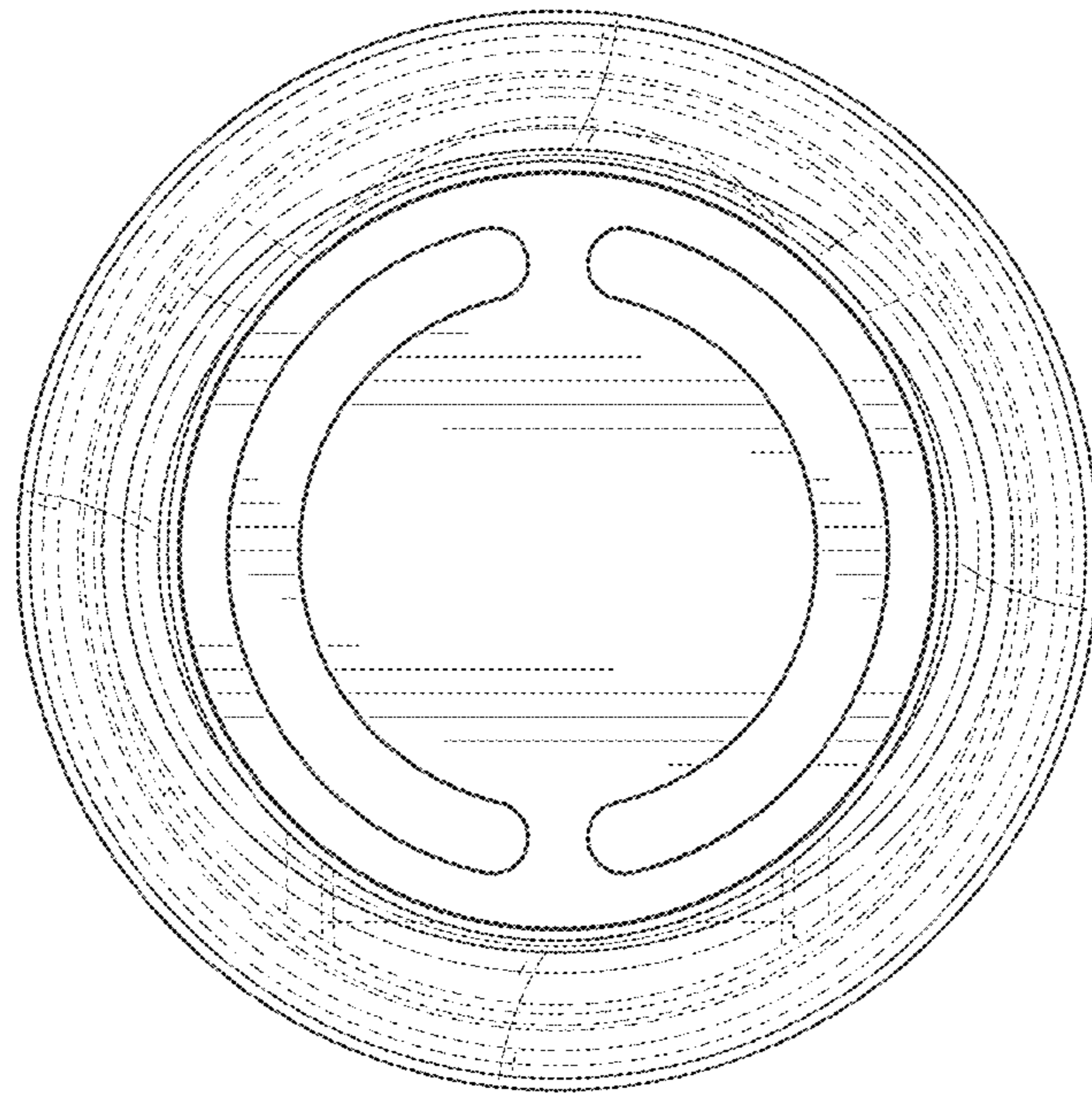


FIG. 8

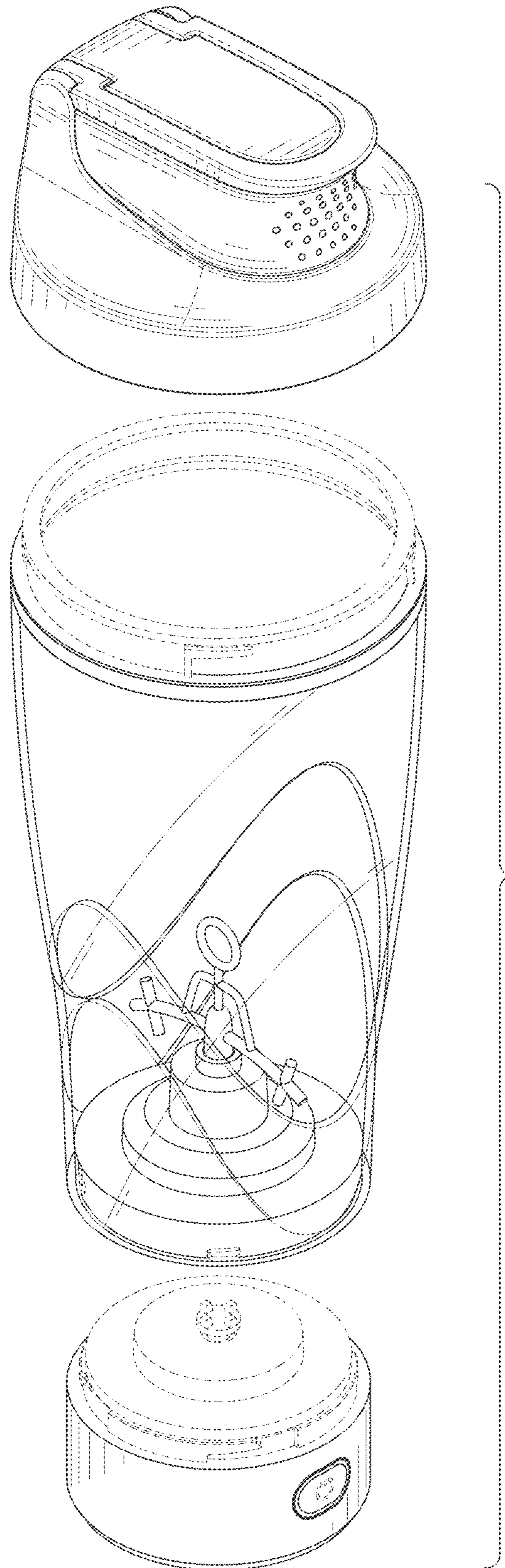


FIG. 9