



US00D974841S

(12) **United States Design Patent**
Pamplin

(10) **Patent No.:** **US D974,841 S**
(45) **Date of Patent:** **** Jan. 10, 2023**

(54) **BLADE ASSEMBLY FOR A PORTABLE BLENDER**

4,487,509 A 12/1984 Boyce
4,629,131 A 12/1986 Podell
4,741,482 A 5/1988 Coggiola

(Continued)

(71) Applicant: **BlendJet Inc.**, Benicia, CA (US)

(72) Inventor: **Ryan Michael Pamplin**, San Juan, PR (US)

FOREIGN PATENT DOCUMENTS

CN 201398891 2/2010
CN 101258964 B 7/2011

(Continued)

(73) Assignee: **BlendJet Inc.**, Benicia, CA (US)

(**) Term: **15 Years**

OTHER PUBLICATIONS

(21) Appl. No.: **29/773,233**

YouTube.com, BlendJet, Jen Selter's BlendJet Green Smoothie Recipe, Mar. 25, 2019, [site visited Nov. 4, 2021], Available on theInternet URL <https://www.youtube.com/shorts/NIFC2ek3Qms> (Year: 2019).

(Continued)

(22) Filed: **Mar. 8, 2021**

(51) **LOC (14) Cl.** **07-04**

(52) **U.S. Cl.**
USPC **D7/412**

(58) **Field of Classification Search**
USPC D7/368, 372, 373, 376, 377, 378, 379,
D7/381, 382, 383, 384, 385, 386, 412,
D7/415, 695, 696
CPC A47J 43/044; A47J 43/046; A47J
2043/04463; A47J 2043/04445; A47J
2043/04481; A47J 43/07; A47J 43/06;
A47J 2043/04418; A47J 43/082; A47J
43/0711; A47J 43/0727; A47J
2043/04454; A47J 2043/04427; A47J
31/42; A47J 43/255; A47J 43/0772

Primary Examiner — Joseph Kukella
Assistant Examiner — Darryl J Dardenne
(74) *Attorney, Agent, or Firm* — Esplin & Associates, PC

(57) **CLAIM**

The ornamental design for a blade assembly for a portable blender, as shown and described.

DESCRIPTION

FIG. 1 is a top perspective view of a blade assembly for a portable blender showing the new design;
FIG. 2 is a top view thereof;
FIG. 3 is a side view thereof, an opposite side view being substantially the same;
FIG. 4 is another side view thereof, an opposite side view being substantially the same; and,
FIG. 5 is a top perspective view of another implementation of the blade assembly for a portable blender showing the new design.
The portions shown in broken lines form no part of the claimed design.

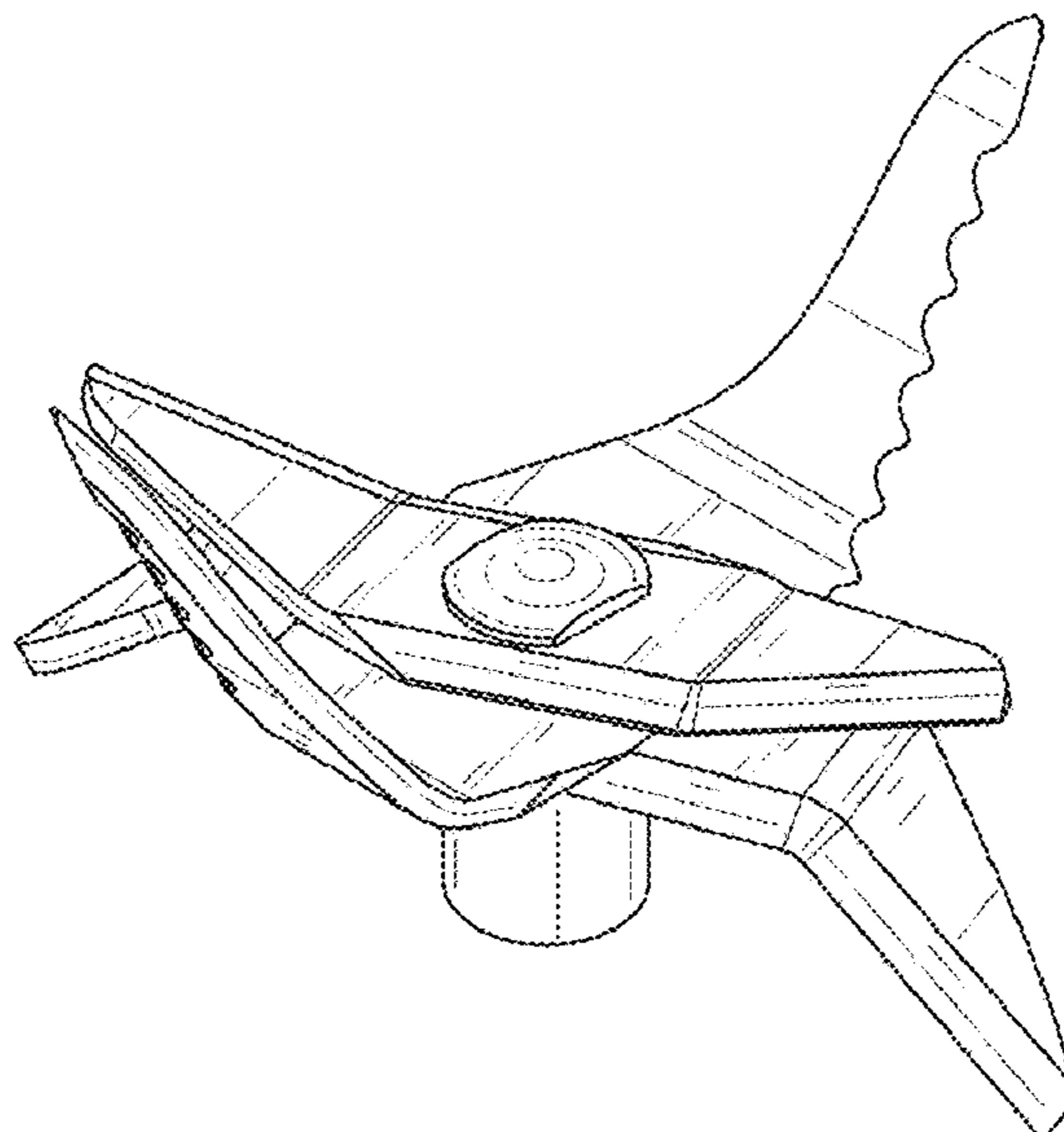
See application file for complete search history.

(56) **References Cited**

U.S. PATENT DOCUMENTS

903,927 A 11/1908 Wendler
D123,477 S 11/1940 Fetman et al.
3,931,494 A 1/1976 Fisher
4,095,090 A 6/1978 Pianezza
D260,350 S 8/1981 Kahlcke
4,435,084 A 3/1984 Calhoun
D274,792 S 7/1984 Price

1 Claim, 1 Drawing Sheet



US D974,841 S

(56)

References Cited

U.S. PATENT DOCUMENTS

4,930,709	A *	6/1990	Steffens	B02C 18/20 241/292.1	D765,463	S	9/2016	Affatato	
D315,475	S	3/1991	Finger			D770,228	S *	11/2016	Pan A47J 43/0722 D7/378
D343,987	S	2/1994	Rotte			9,549,639	B2	1/2017	Garr	
D349,650	S	8/1994	Lonczak			D782,866	S	4/2017	Suess	
5,425,579	A	6/1995	Sampson			D784,071	S	4/2017	Davies	
5,639,161	A	6/1997	Sirianni			D784,808	S	4/2017	Berroa García	
5,720,552	A	2/1998	Schindlegger			D785,402	S	5/2017	Shirley	
5,908,037	A	6/1999	Pierson			D786,614	S	5/2017	Smith	
5,911,504	A	6/1999	Schindlegger, Jr.			D789,139	S	6/2017	Repac	
D417,815	S	12/1999	Endres			D789,735	S	6/2017	Palermo	
D448,236	S	9/2001	Murray			D793,803	S	8/2017	Patel	
6,331,070	B1	12/2001	Desai			D794,385	S	8/2017	Lee	
D471,455	S	3/2003	Laveault			D799,963	S	10/2017	Akiyama	
6,532,863	B1 *	3/2003	Lee	A47J 43/0722 366/205	D801,109	S	10/2017	Lee	
6,568,843	B1	5/2003	Lai			9,775,467	B2	10/2017	Sapire	
6,614,206	B1	9/2003	Wong			9,787,130	B2	10/2017	Kim	
6,796,705	B1	9/2004	Khubani			9,801,498	B2	10/2017	Fach	
D504,818	S	5/2005	Bakic			9,814,331	B2	11/2017	Alexander	
6,962,432	B2	11/2005	Hofeldt			D804,258	S	12/2017	Kim	
D518,994	S	4/2006	Lin			9,839,326	B2	12/2017	Sapire	
D522,318	S	6/2006	McGuyer			D815,486	S	4/2018	Suess	
D536,975	S	2/2007	Smith			D816,394	S	5/2018	Yeung	
D548,523	S	8/2007	Greenspon			D816,994	S	5/2018	Fischer	
D550,506	S	9/2007	Spitzer			D817,080	S	5/2018	Seidl	
D560,445	S	1/2008	Tardif			10,010,213	B2	7/2018	Alexander	
7,314,307	B2	1/2008	Cai			D826,631	S	8/2018	Baron	
7,364,348	B1	4/2008	Jones			D829,042	S	9/2018	Duan	
7,384,182	B2	6/2008	Bhavnani			D829,496	S	10/2018	Kim	
7,422,362	B2	9/2008	Sands			D830,766	S	10/2018	Treacy	
D580,702	S	11/2008	Holcomb			D832,641	S	11/2018	Sapire	
D587,136	S	2/2009	Friebe			D836,385	S	12/2018	Arzunyan	
7,518,343	B2	4/2009	Veselic			10,143,980	B1	12/2018	Marko	
D603,215	S	11/2009	Hollinger			10,188,229	B2	1/2019	Alexander	
D603,704	S	11/2009	Jost			D842,020	S	3/2019	Augustyn	
D604,101	S *	11/2009	Sands	D7/378	D847,557	S	5/2019	Kraemer	
D617,145	S	6/2010	Picozza			10,299,629	B2	5/2019	Bascom	
D621,206	S	8/2010	Matta			10,299,632	B2	5/2019	Vu	
D624,359	S *	9/2010	Schleinzer	D7/412	D850,259	S	6/2019	Wiggins	
D634,155	S	3/2011	Duncan			D853,184	S	7/2019	De Groote	
D635,019	S	3/2011	Goto			10,362,903	B2	7/2019	Mizrahi	
7,938,574	B2	5/2011	McGill			D856,083	S	8/2019	Lawson-Shanks	
D640,502	S	6/2011	Picozza			10,383,482	B1	8/2019	Pamplin	
D640,556	S	6/2011	Bragg			10,391,461	B2	8/2019	Alfoudari	
D647,365	S *	10/2011	Audette	D7/378	D867,806	S	11/2019	Bodum	
8,056,848	B1 *	11/2011	Liang	A47J 43/0722 366/205	D867,807	S	11/2019	Bodum	
D663,202	S	7/2012	Biesecker			D871,831	S	1/2020	Liu	
D669,304	S	10/2012	Bock			D873,601	S	1/2020	Sirju	
D682,030	S *	5/2013	Ezechukwu	B01F 27/172 D7/412	10,617,260	B2	4/2020	Sapire	
D684,817	S *	6/2013	Leavitt	D7/412	D885,124	S	5/2020	Yessin	
D686,869	S	7/2013	Shoshan			D885,824	S	6/2020	Neputy	
D690,152	S	9/2013	Palermo			D889,260	S	7/2020	Hiltser	
D700,013	S *	2/2014	Chu	D7/378	D891,191	S	7/2020	Binyk	
D701,615	S	3/2014	Pluska			10,702,837	B1	7/2020	Pamplin	
D708,902	S *	7/2014	Audette	D7/378	D894,679	S	9/2020	Cheng	
D709,325	S *	7/2014	Guo	D7/378	D895,348	S	9/2020	Vignau-Lous	
D716,096	S	10/2014	Krooshof			D896,566	S	9/2020	Wang	
8,851,739	B2	10/2014	Gonzalez			10,792,630	B1	10/2020	Pamplin	
8,950,930	B2 *	2/2015	Wang	B01F 27/172 366/205	10,799,071	B2	10/2020	Pamplin	
D723,872	S	3/2015	Kostler			D900,530	S	11/2020	Kim	
D728,302	S	5/2015	Vu			10,828,612	B1	11/2020	Pamplin	
D729,573	S *	5/2015	Moon	D7/378	D903,400	S	12/2020	Li	
9,035,222	B2	5/2015	Alexander			D904,822	S	12/2020	Koszylko	
9,039,274	B1	5/2015	Corda			D905,494	S	12/2020	Pataki	
D731,242	S	6/2015	Machovina			D905,496	S	12/2020	Pamplin	
9,134,020	B1	9/2015	Wells			D908,428	S	1/2021	Pamplin	
D742,683	S	11/2015	Kim			D911,107	S	2/2021	Pamplin	
D758,799	S *	6/2016	Audette	D7/378	D913,035	S	3/2021	McCabe	
D761,056	S *	7/2016	Kemker	D7/378	D916,549	S	4/2021	Li	
D765,462	S	9/2016	Davies			D918,636	S	5/2021	Mangiarotti	
						D918,719	S	5/2021	Tamarindo	
						D920,736	S	6/2021	Bock	
						D921,419	S	6/2021	Yang	
						D927,245	S	8/2021	Peng	
						D927,254	S *	8/2021	Chen D7/378
						D927,924	S	8/2021	Lane	
						11,229,891	B2	1/2022	Pamplin	
						D943,338	S	2/2022	Feng	
						D948,940	S	4/2022	Pamplin	

(56)

References Cited

U.S. PATENT DOCUMENTS

D953,103 S 5/2022 Pamplin
 2001/0036124 A1 11/2001 Rubenstein
 2002/0117566 A1 8/2002 Cheng
 2002/0141286 A1 10/2002 Wulf
 2004/0159624 A1 8/2004 Miller
 2007/0182367 A1 8/2007 Partovi
 2007/0209528 A1 9/2007 Chang
 2007/0221068 A1 9/2007 Boussemart
 2007/0290555 A1 12/2007 Caren
 2008/0198691 A1* 8/2008 Behar A47J 43/0722
 366/205
 2008/0217284 A1 9/2008 Roth
 2008/0259722 A1 10/2008 Sanford
 2008/0265838 A1 10/2008 Garg
 2009/0032627 A1 2/2009 Krasznai
 2010/0005977 A1 1/2010 Menashes
 2010/0301808 A1 12/2010 David
 2011/0024537 A1 2/2011 Gonzalez
 2011/0248108 A1 10/2011 Carriere
 2012/0080549 A1* 4/2012 Rukavina B01F 27/112
 241/282.1
 2012/0167781 A1 7/2012 Lane
 2013/0010568 A1 1/2013 Bodum
 2013/0222991 A1 8/2013 McWilliams
 2014/0151479 A1 6/2014 Wu
 2014/0247686 A1 9/2014 Arnett
 2014/0301155 A1 10/2014 Montgomery
 2015/0023130 A1* 1/2015 Foxlee A47J 43/085
 366/205
 2015/0117137 A1 4/2015 Haney
 2015/0165402 A1 6/2015 King
 2015/0283037 A1 10/2015 Trejo
 2015/0374175 A1 12/2015 Garr
 2016/0114935 A1 4/2016 Rönholm
 2016/0235243 A1 8/2016 Grassia
 2016/0354740 A1 12/2016 Gonzalez
 2017/0104297 A1 4/2017 Scott
 2017/0110898 A1 4/2017 Kyriakoulis
 2018/0028991 A1 2/2018 Brotzki
 2018/0054142 A1 2/2018 Williams
 2018/0146826 A1 5/2018 Mizrahi
 2018/0160855 A1 6/2018 Krivos
 2018/0221836 A1 8/2018 Ni
 2019/0000275 A1 1/2019 Sapire
 2019/0082893 A1 3/2019 Faulkner-Edwards
 2019/0191962 A1* 6/2019 Pieterman A47L 25/00
 2019/0307287 A1 10/2019 Magatti
 2019/0363567 A1 11/2019 Kim
 2019/0365156 A1 12/2019 Vu
 2020/0061557 A1 2/2020 Bertsch
 2020/0114322 A1 4/2020 Bertsch
 2020/0135391 A1 4/2020 Kwon
 2020/0205615 A1 7/2020 Pamplin
 2020/0345181 A1 11/2020 Potaki
 2020/0359842 A1 11/2020 Koh
 2020/0390286 A1 12/2020 Pamplin

2021/0354100 A1 11/2021 Sapire
 2022/0107691 A1 4/2022 Pamplin
 2022/0175192 A1 6/2022 Ahn
 2022/0285984 A1 9/2022 Pamplin

FOREIGN PATENT DOCUMENTS

CN 102949118 A 3/2013
 CN 103841867 A 6/2014
 CN 104084076 A 10/2014
 CN 104385455 A 3/2015
 CN 104473576 A 4/2015
 CN 104808545 A 7/2015
 CN 204467878 U 7/2015
 CN 204520400 8/2015
 CN 205006717 U 2/2016
 CN 105615698 A 6/2016
 CN 205493613 8/2016
 CN 207194642 U 4/2018
 CN 207444802 U 6/2018
 CN 207768224 U 8/2018
 CN 304785260 S 8/2018
 CN 107080417 B 10/2018
 CN 108937638 12/2018
 CN 209147461 U 7/2019
 CN 210354282 4/2020
 EP 2220980 8/2010
 GB 2506926 4/2014
 GB 6021494 11/2017
 JP D1669689 10/2020
 WO 2008047106 4/2008
 WO 2017157965 9/2017
 WO 2020191437 10/2020

OTHER PUBLICATIONS

ECPURCHASE Portable Blender USB Rechargeable. Date First Available on Amazon.com May 7, 2018. <https://www.amazon.com/Portable-Blender-Rechargeable-Single-Personal/dp/B07CXM3CC3/>. (Year: 2018) (1 page).
 PCT International Search Report and Written Opinion, Application No. PCT/US2020/054471, dated Jan. 5, 2021 (8 pages.).
 PCT International Search Report and Written Opinion, Application No. PCT/US19/63089, dated Feb. 19, 2020, dated 11 pages.
 PCT International Search Report, International Application No. PCT/US2020/054447, dated Oct. 29, 2020, 7 pages.
 PCT International Search Report and Written Opinion, Application No. PCT/US2022/018497, dated Jun. 16, 2022, 10 pages.
 Luwldirr Electric Blender, posted at Amazon.com on Nov. 23, 2019, 2 pages, [site visited Jul. 27, 2022]. Available from Internet, URL: <<https://www.amazon.com/dp/B081WD4QXC/>> (Year: 2019).
 Mialoe Portable Juicer Blender, posted at Amazon.com on Oct. 12, 2017, 2 pages, [site visited Jul. 27, 2022]. Available from internet, URL: <<https://www.amazon.com/Portable-Updated-Rechargeable-Magnetic-Electric/dp/B076DFV3KT?th=1>> (Year: 2017).

* cited by examiner

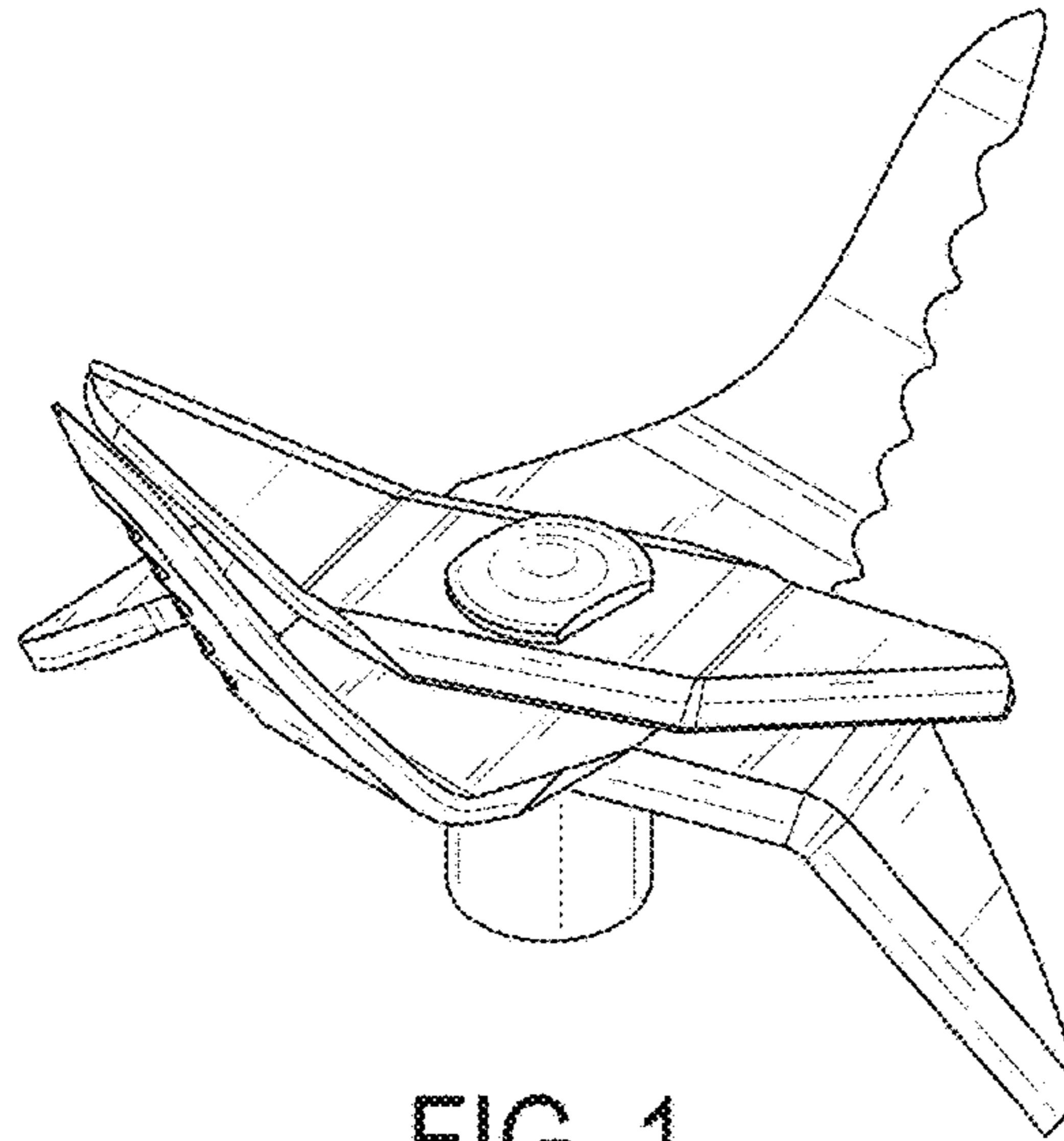


FIG. 1

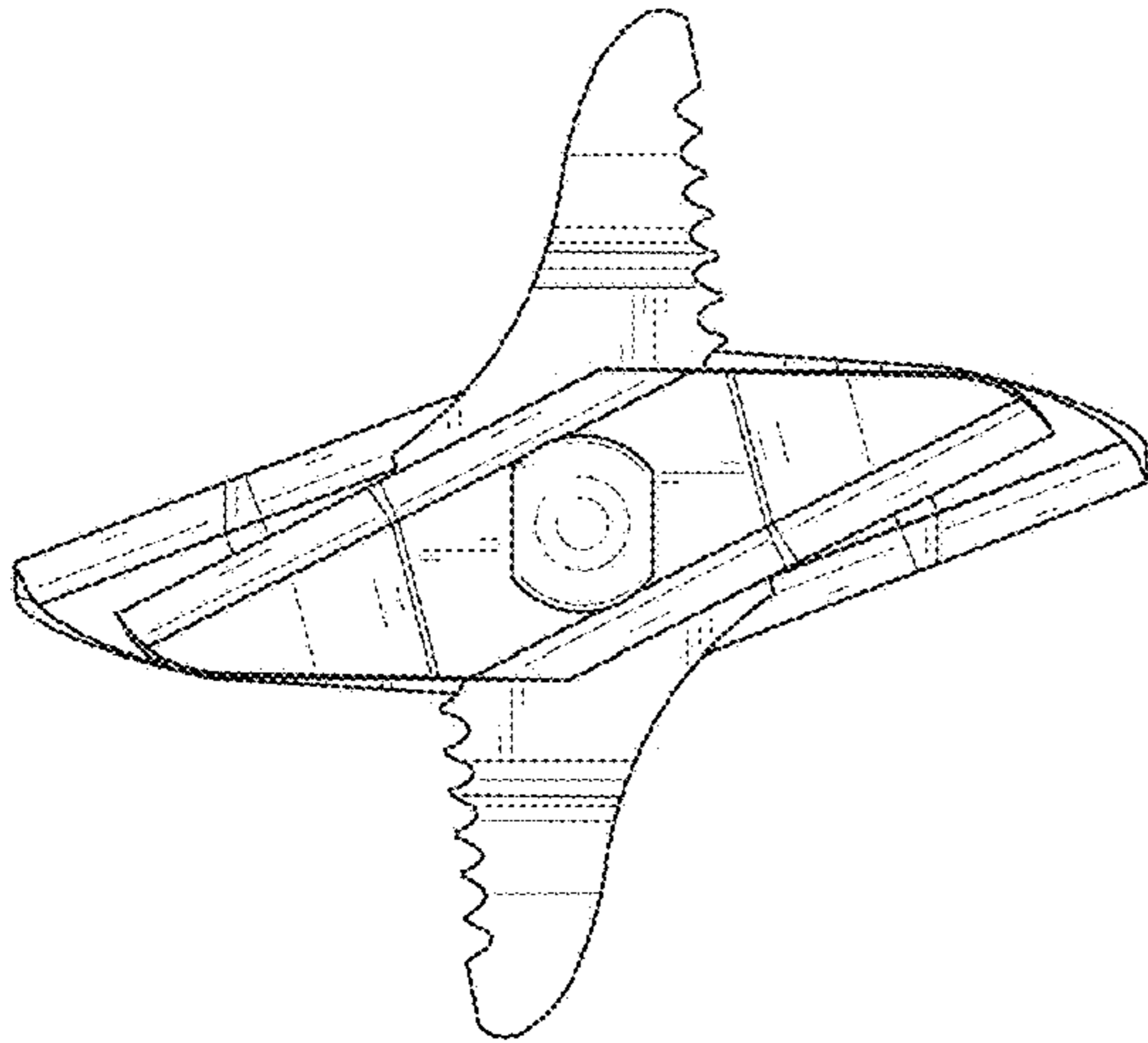


FIG. 2

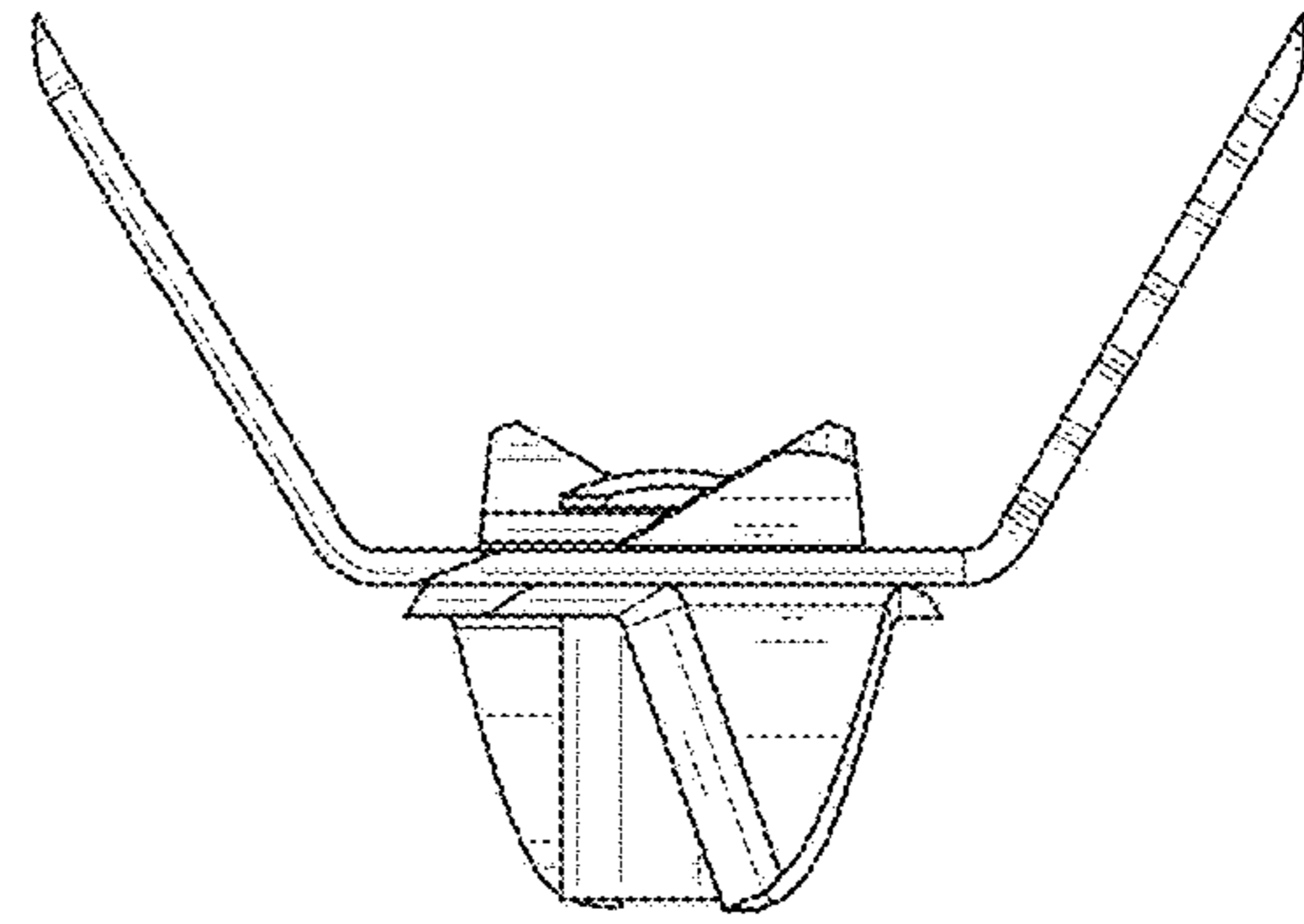


FIG. 3

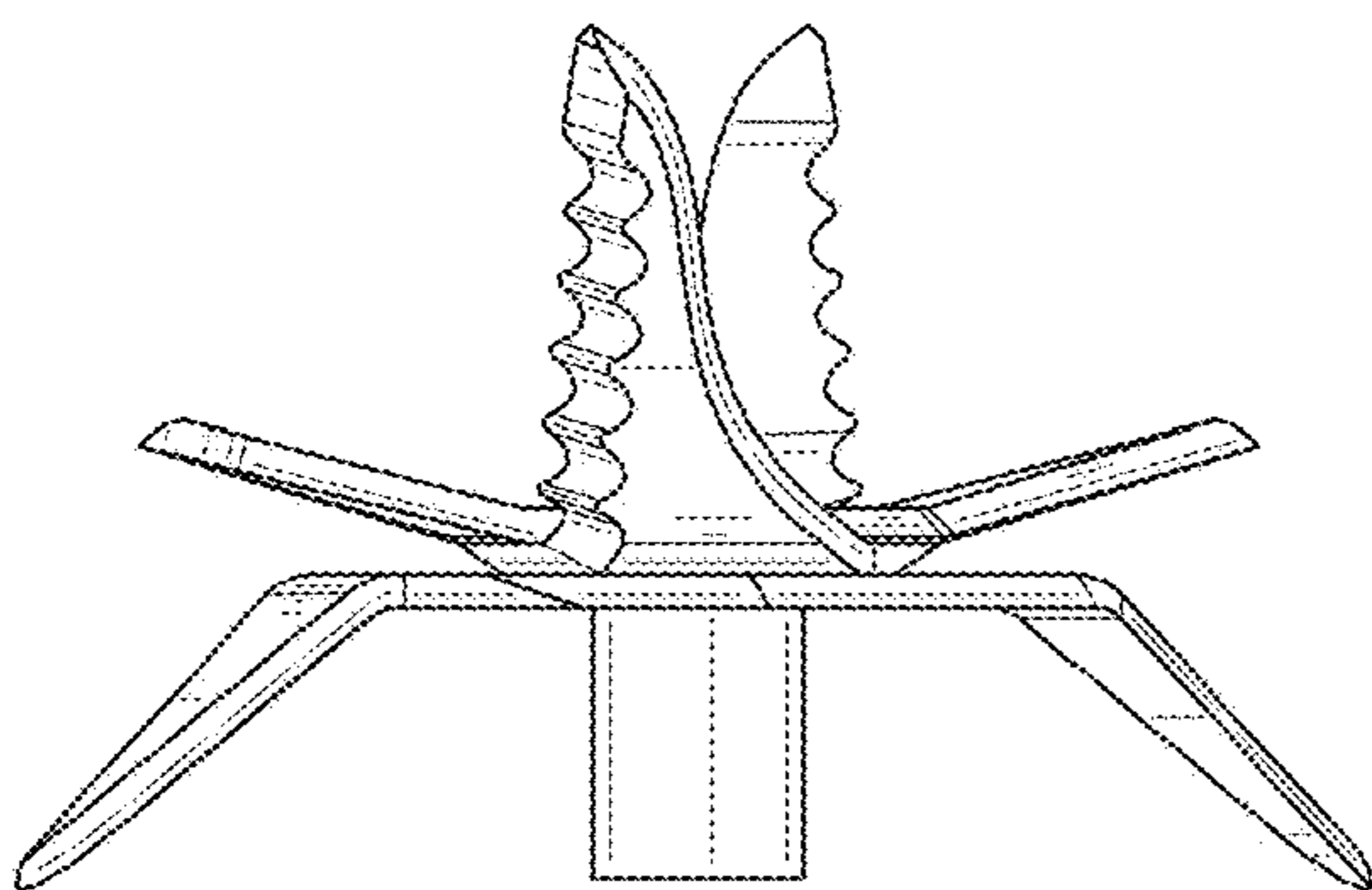


FIG. 4

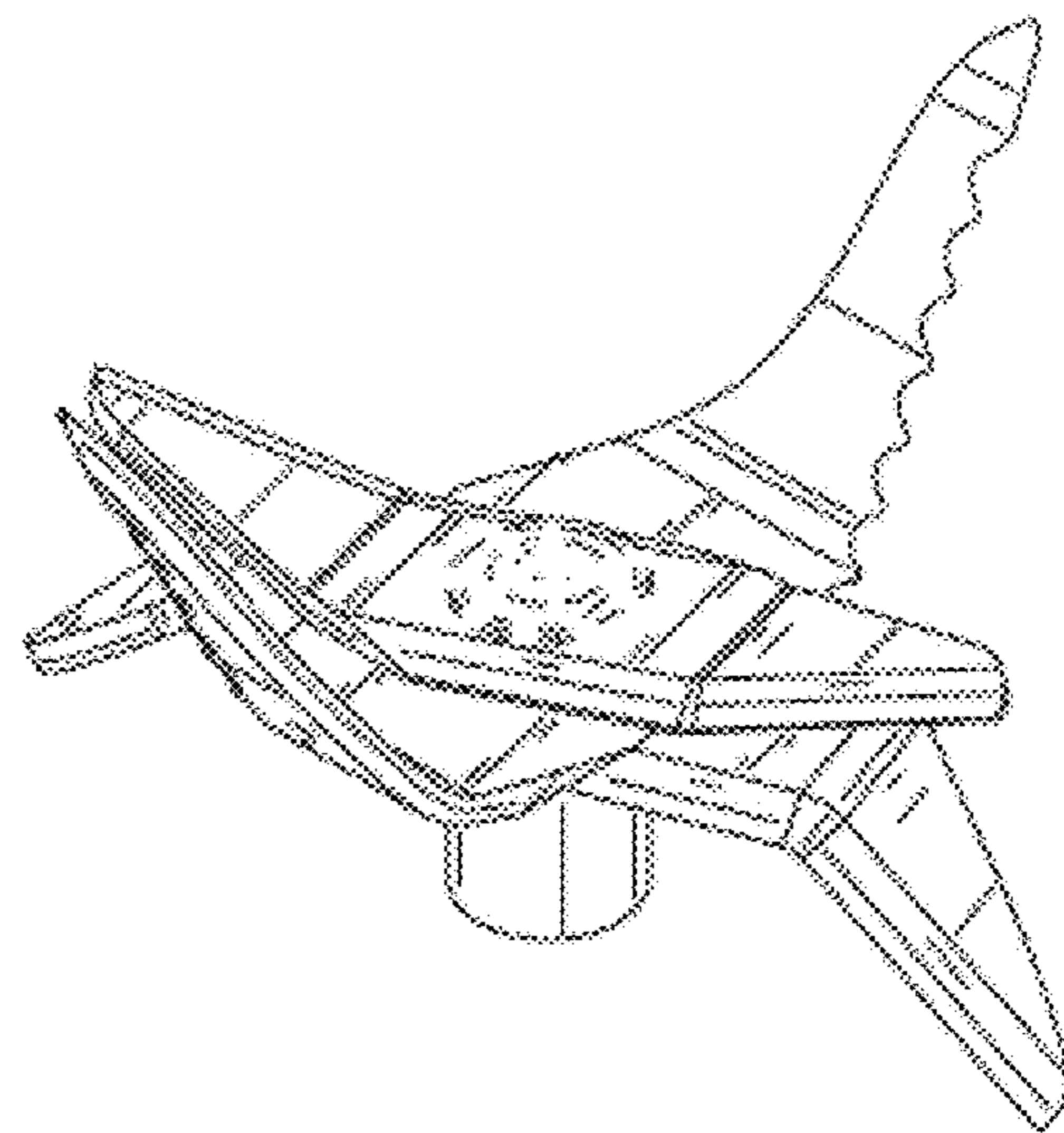


FIG. 5