



US00D974839S

(12) **United States Design Patent**
Allgyer

(10) **Patent No.:** **US D974,839 S**

(45) **Date of Patent:** **** Jan. 10, 2023**

- (54) **COOKING PLATE FOR FIRE PIT**
- (71) Applicant: **Breco, LLC**, Kinzers, PA (US)
- (72) Inventor: **Amos Alan Allgyer**, Gordonville, PA (US)
- (73) Assignee: **Breco, LLC**, Kinzers, PA (US)
- (**) Term: **15 Years**
- (21) Appl. No.: **29/841,299**
- (22) Filed: **Jun. 4, 2022**
- (51) **LOC (14) Cl.** **07-02**
- (52) **U.S. Cl.**
USPC **D7/409; D23/403**
- (58) **Field of Classification Search**
USPC D7/402-411, 332-336, 360, 362-363, D7/340-341, 346-348, 354; D6/699.5, D6/705; D8/403, 395, 399, 382, 354; D25/199; D23/403, 341, 332, 259, 343, D23/269; D11/200; D14/439, 478; D12/180
CPC F24C 3/126; F24C 15/36; F24C 3/085; F24C 3/14; A47J 37/0786; A47J 36/26; A47J 37/0763; F24B 1/26; F24B 1/191; H01M 50/543
See application file for complete search history.

D378,973 S * 4/1997 Bradley D7/406
D389,009 S * 1/1998 Baykal D7/335
D394,779 S * 6/1998 Hilvitz D7/335
D399,932 S * 10/1998 Heathcote D23/269

(Continued)

FOREIGN PATENT DOCUMENTS

AU	2016102123 A	1/2017
DE	20310796	9/2003
DE	20310796 U	9/2003

OTHER PUBLICATIONS

How To Use The Searplate Griddle, by Breco, YouTube [online], published Mar. 23, 2022, [retrieved on Aug. 31, 2022]. Retrieved from the Internet, URL: <https://www.youtube.com/watch?v=ErmtmvG8f2s&t=6s>.*

(Continued)

Primary Examiner — Nicole C Shiflet
(74) *Attorney, Agent, or Firm* — Fred Zollinger

(57) **CLAIM**

The ornamental design for a cooking plate for fire pit, as shown and described.

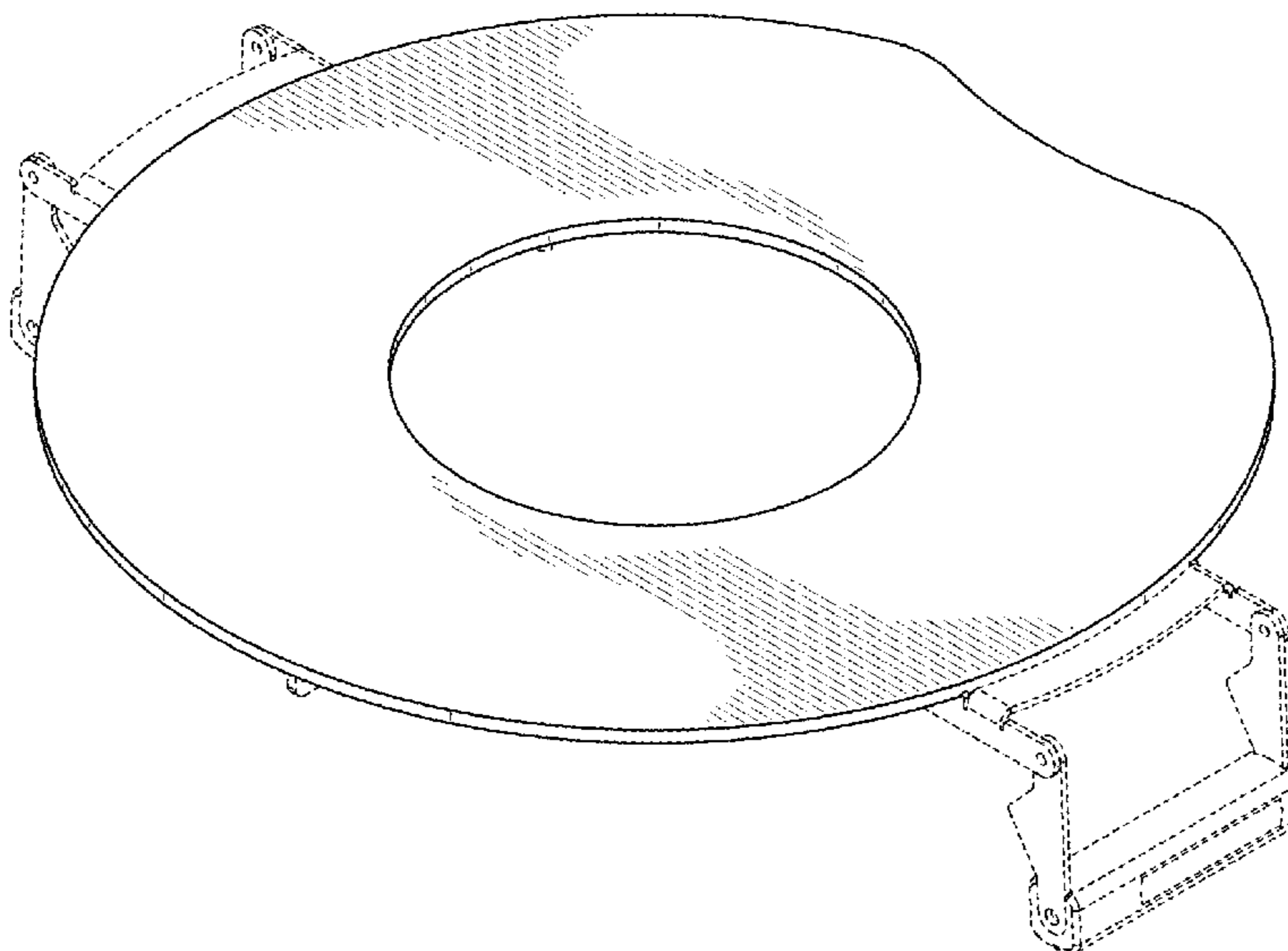
DESCRIPTION

FIG. 1 is an upper perspective view of the cooking plate for fire pit showing my new design.
FIG. 2 is a lower perspective view thereof.
FIG. 3 is a front elevation view thereof.
FIG. 4 is a rear elevation view thereof.
FIG. 5 is a left side elevation view thereof.
FIG. 6 is a right side elevation view thereof.
FIG. 7 is a top plan view thereof; and,
FIG. 8 is a bottom plan view thereof.
The dashed lines shown in the drawings are for purposes of illustrating portions of the article that form no part of the claimed design.

1 Claim, 6 Drawing Sheets

(56) **References Cited**
U.S. PATENT DOCUMENTS

1,342,001 A *	6/1920	Schulte	H01M 50/543
				429/229
2,272,379 A *	2/1942	Loukota	H01R 13/42
				174/75 C
3,381,678 A *	5/1968	Fry	F24C 3/14
				126/96
D262,427 S *	12/1981	Boston	D7/334
5,413,087 A *	5/1995	Jean	F24C 3/14
				126/41 R
D374,796 S *	10/1996	Bradley	D7/406



(56)

References Cited

U.S. PATENT DOCUMENTS

6,234,812 B1 * 5/2001 Ivers H01R 25/006
439/378
D514,431 S * 2/2006 Tanaka D8/354
7,219,663 B2 5/2007 Cuomo
7,275,278 B1 * 10/2007 Martin A47L 13/34
15/236.01
D557,982 S * 12/2007 Ablo D7/409
7,344,173 B2 3/2008 Gonzalez et al.
D579,708 S * 11/2008 Chen D7/332
D581,844 S * 12/2008 Ohigashi D12/180
D590,201 S * 4/2009 Zagar D7/335
D635,816 S * 4/2011 France D7/354
D695,059 S 12/2013 Mehler et al.
D727,793 S * 4/2015 Schier D11/200
D734,436 S * 7/2015 Raether D23/259
D737,628 S * 9/2015 Stone D7/409
D742,490 S * 11/2015 Jepson D23/343
D751,238 S * 3/2016 Siuvatti D26/113
9,474,414 B2 10/2016 Yuen
D774,630 S * 12/2016 Mehari D23/269
D776,519 S * 1/2017 Almaghlouth D8/399
D777,307 S * 1/2017 Rocha D23/343
D791,394 S * 7/2017 Rashidi Doust D26/113
D791,395 S * 7/2017 Rashidi Doust D26/113
D798,099 S * 9/2017 Goossens D7/335
D799,935 S * 10/2017 Rashidi Doust D8/354
D830,095 S * 10/2018 Goossens D7/332
D833,347 S * 11/2018 Lewis D12/180
D838,164 S * 1/2019 Hanchett A45F 5/02
D8/382
D847,228 S * 4/2019 Wang D15/138
D868,230 S * 11/2019 Nitschmann A47B 37/00
D23/343
D884,458 S * 5/2020 Moore D8/354
10,786,114 B2 9/2020 Salum
10,888,195 B1 1/2021 Norris et al.
11,058,255 B2 7/2021 Seong

D938,805 S * 12/2021 Thaler D8/354
11,278,153 B2 3/2022 Stoltzfus
D960,348 S * 8/2022 Stoltzfus D23/403
2009/0205626 A1 8/2009 Ferreiro Cerceda
2015/0068512 A1 3/2015 Mehler et al.
2017/0181579 A1 6/2017 Zeybek
2017/0332840 A1 11/2017 Schuitemaker
2021/0045578 A1 * 2/2021 Stoltzfus F24B 1/191
2021/0282588 A1 9/2021 Moon et al.

OTHER PUBLICATIONS

Breeo X Series 30 Smokeless Fire Pit review, by C.L.S. All-in-One, YouTube [online], published Jun. 7, 2022, [retrieved on Aug. 31, 2022]. Retrieved from the Internet, URL: <https://www.youtube.com/watch?v=qnXZJ6qPd5o>.
Esschert Design, EsschertDesign BBQ Grill Griddle Fire Pit Center Disc, reviewed Jul. 18, 2020; accessed May 24, 2022 from <https://www.pinterest.com/pin/esschertdesign-bbq-grill-griddle-fire-pit-center-disc-48061921343423442/>.
Will Sabel Courtney , How Well Does This Unusual Backyard Fire Pit Work for Car Camping? We Found Out, Jul. 3, 2020.
Breeo, LLC, Instagram, Apr. 4, 2022, accessed May 4, 2022 from <https://www.instagram.com/p/Cb78UAMFM5X/>.
Breeo, LLC, Instagram, Mar. 22, 2022, accessed May 4, 2022 from <https://www.instagram.com/p/Cbaa6OyOcdg/>.
Breeo, LLC, Instagram, Mar. 21, 2022, accessed May 4, 2022 from <https://www.instagram.com/p/CbXy3dLInCT/>.
Breeo, LLC, Breeo.co, , accessed May 4, 2022 from <https://breeo.co/products/searplate-griddle>.
Breeo, LLC, Instagram, Mar. 18, 2022, accessed Jun. 4, 2022 from https://www.instagram.com/tv/CbQGwaulPCe/?utm_source=ig_web_copy_link.
Breeo X Series 30 Smokeless Fire Pit review, by C.L.S. All-in-One, YouTube [online], published Jun. 7, 2022, [retrieved on Aug. 31, 2022]. Retrieved from the Internet, URL: <https://www.youtube.com/watch?v=qnXZJ6qPd5o>.

* cited by examiner

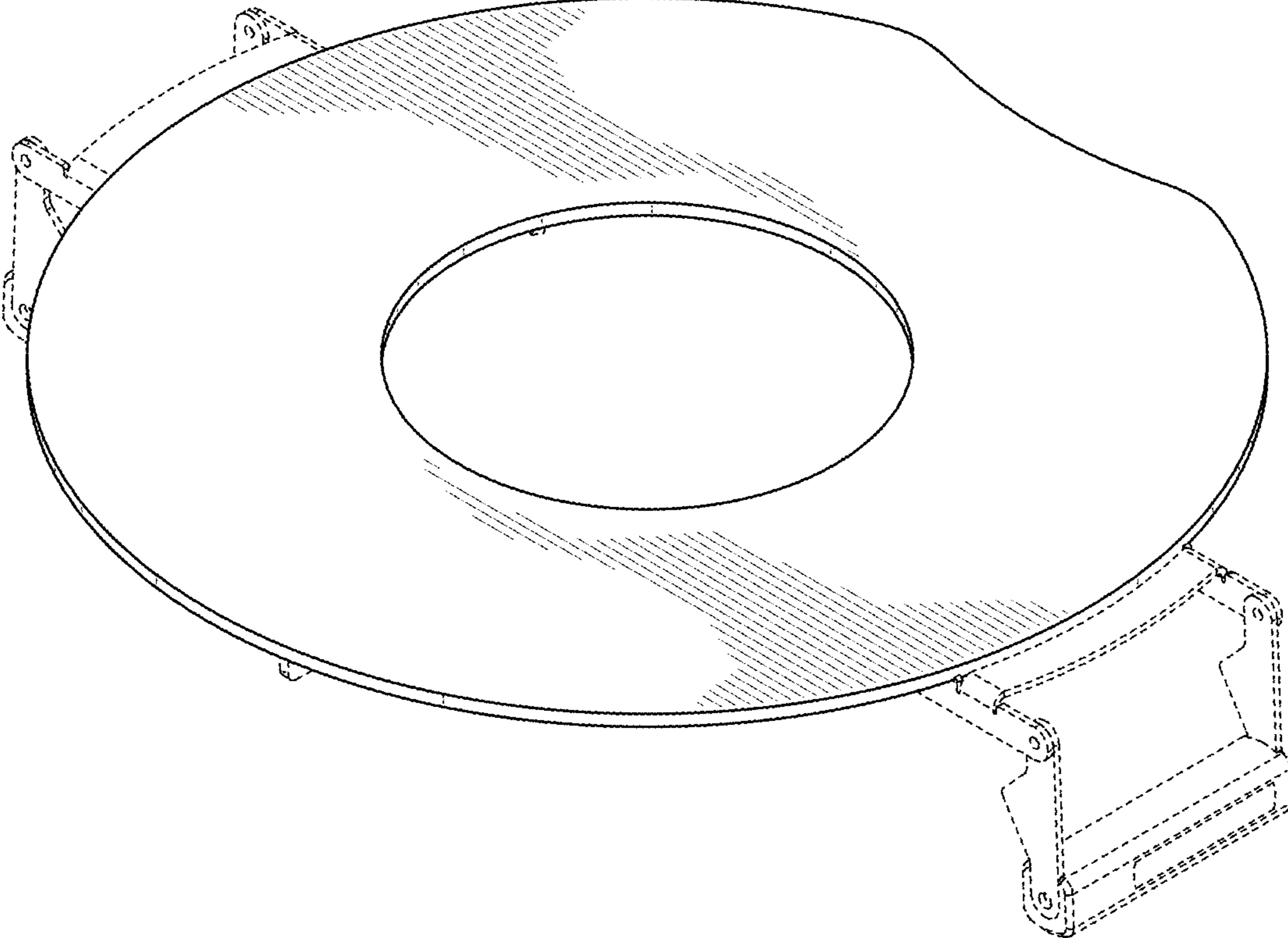


FIG. 1

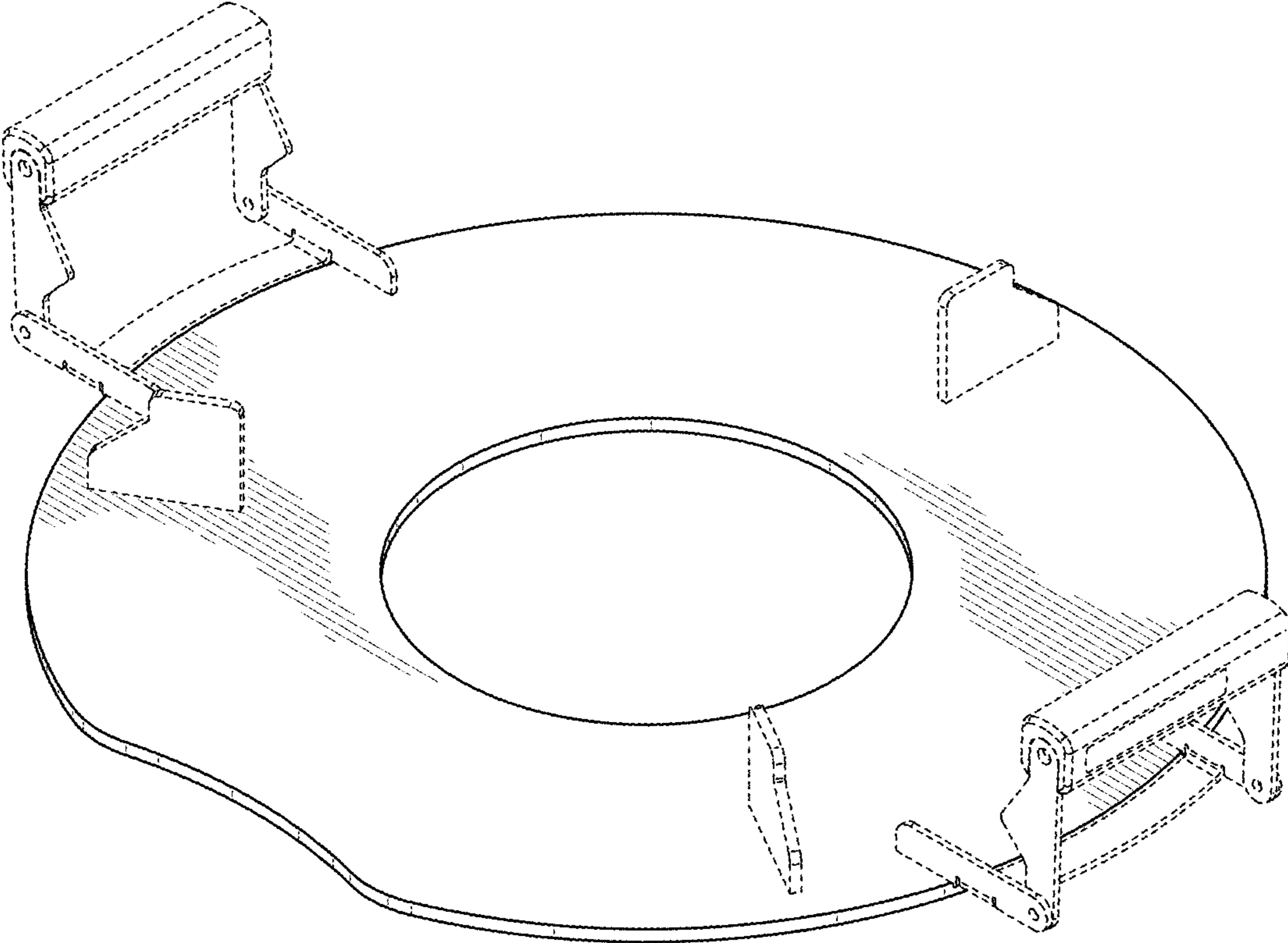


FIG. 2

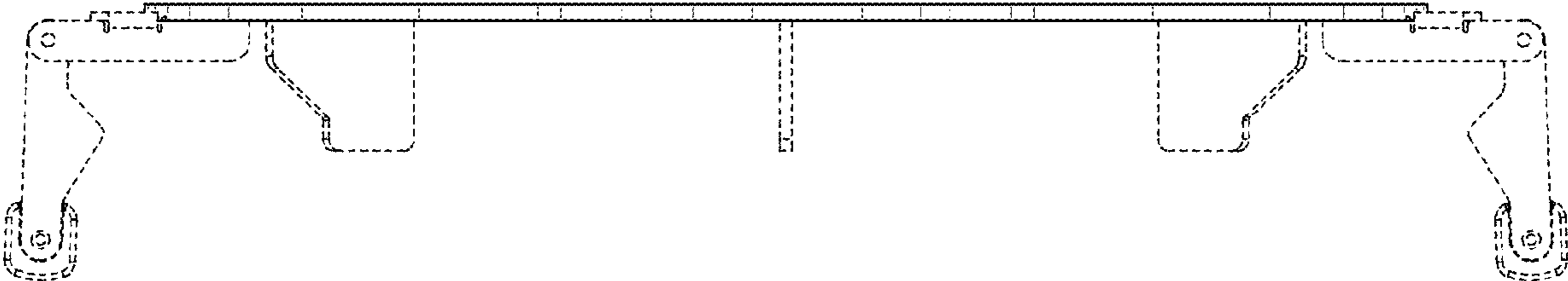


FIG. 3

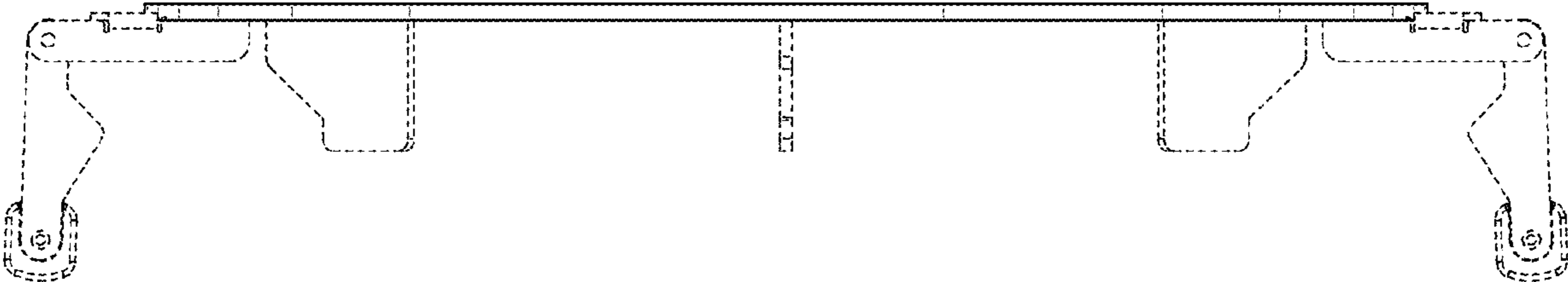


FIG. 4

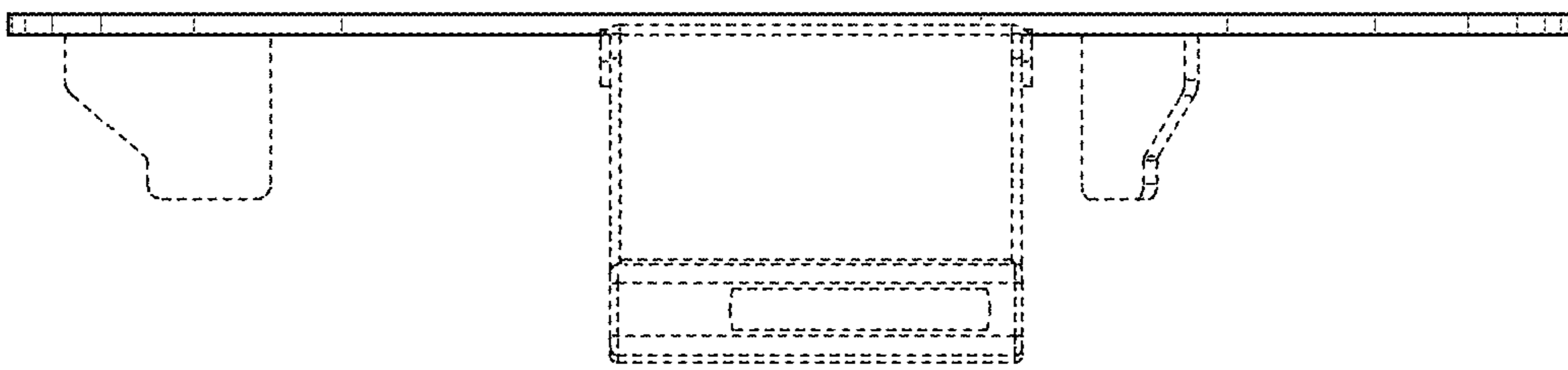


FIG. 5

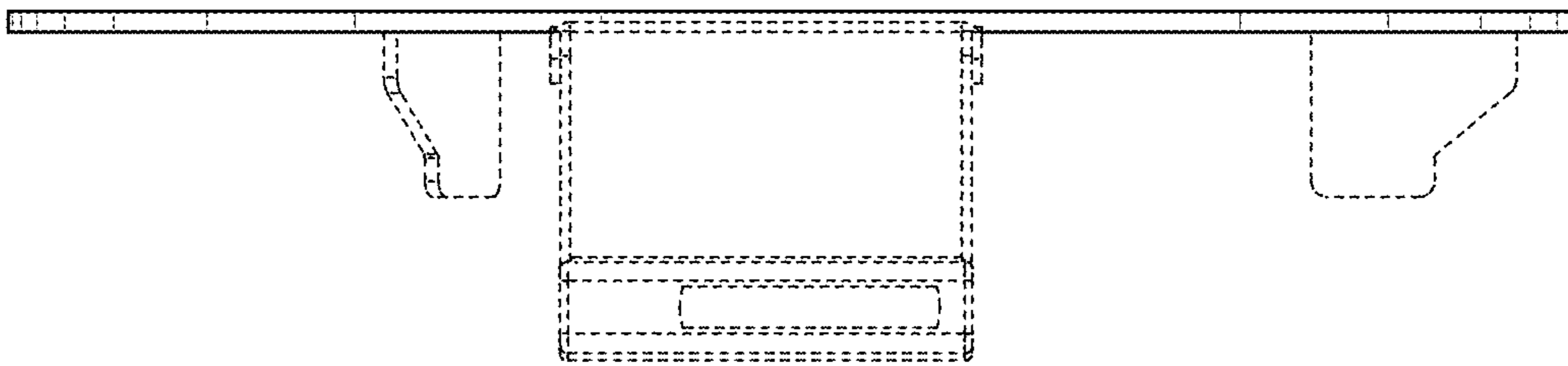


FIG. 6

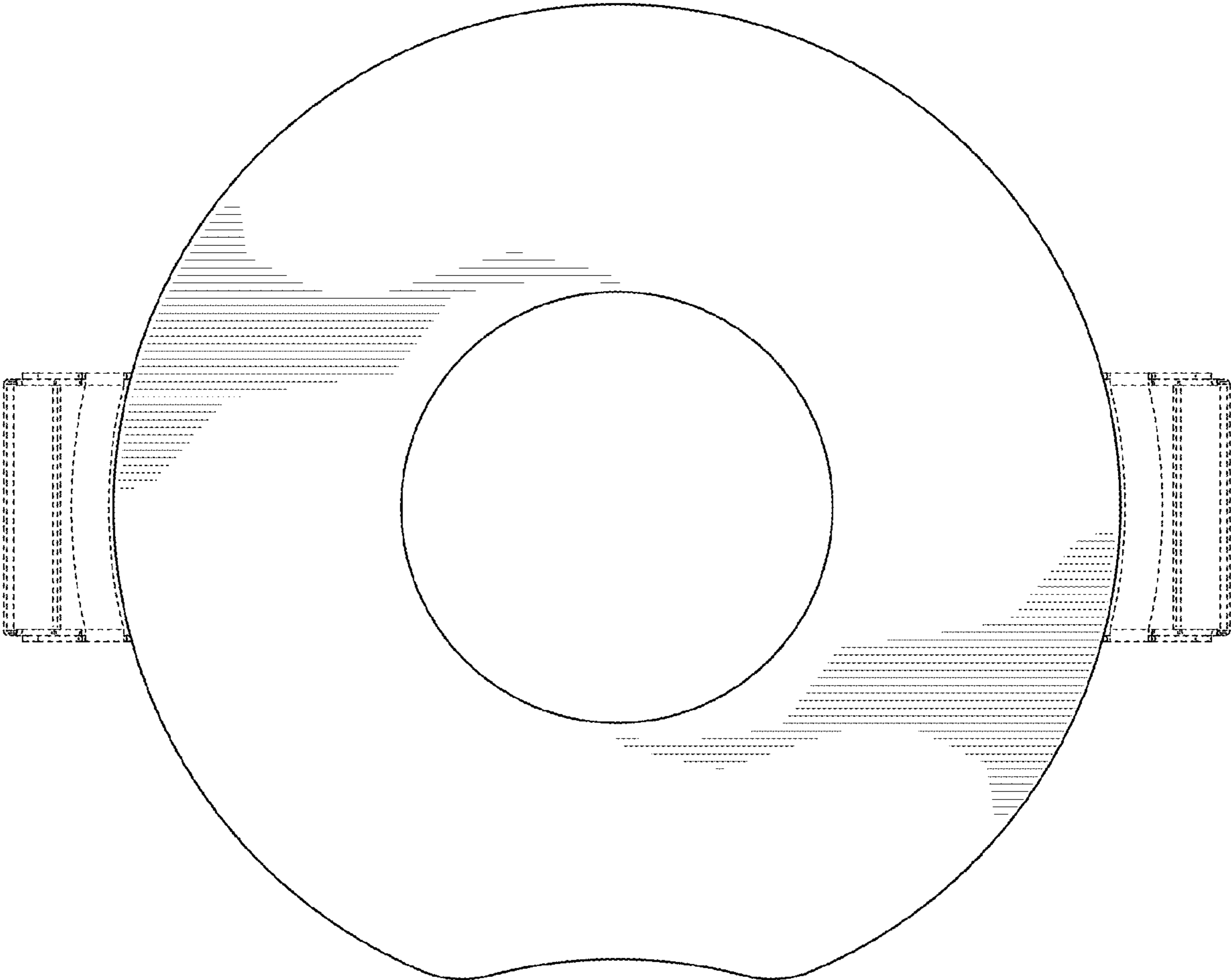


FIG. 7

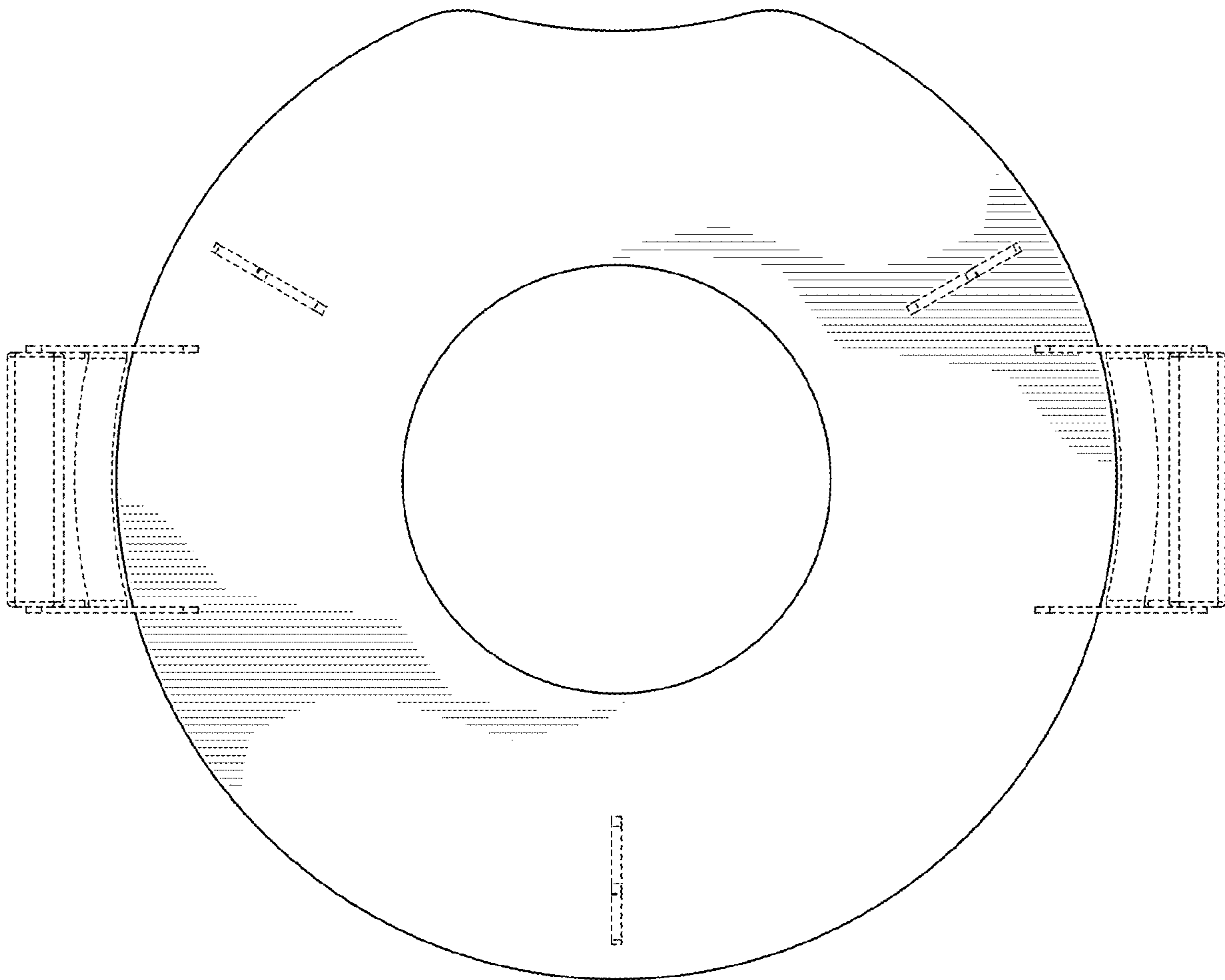


FIG. 8