



US00D974838S

(12) **United States Design Patent**
Huseynly

(10) **Patent No.:** **US D974,838 S**

(45) **Date of Patent:** **** Jan. 10, 2023**

(54) **COOKING STAND**

(71) Applicant: **DILIBOZ LLC**, Katy, TX (US)

(72) Inventor: **Babak Huseynly**, Katy, TX (US)

(73) Assignee: **DILIBOZ LLC**, Katy, TX (US)

(**) Term: **15 Years**

(21) Appl. No.: **29/836,509**

(22) Filed: **Apr. 27, 2022**

(51) **LOC (14) Cl.** **07-02**

(52) **U.S. Cl.**

USPC **D7/403**; D7/402

(58) **Field of Classification Search**

USPC D7/323, 327, 332-338, 354, 359, 387,
D7/402-409; D23/332, 343; D11/143,
D11/152

CPC A47J 33/00; A47J 37/0763; A47J 37/0772;
A47J 37/0786; A47J 37/108; A47J
2037/0777; A47J 2037/0795

See application file for complete search history.

(56) **References Cited**

U.S. PATENT DOCUMENTS

D57,688 S *	4/1921	Lukaszewska	D7/403
3,040,651 A	6/1962	Nolte, Jr.		
D259,617 S	6/1981	Braxton, III		
D261,596 S	11/1981	Beck, Jr.		
D276,302 S	11/1984	Thomas et al.		
4,782,813 A	11/1988	Kopke		
D370,387 S	6/1996	Dorvall et al.		
D444,991 S *	7/2001	Measom	D7/337
D486,689 S *	2/2004	Lu	D7/403
D503,068 S *	3/2005	May	D7/403
6,868,849 B1 *	3/2005	Endres	A47J 37/0763 126/25 R
D544,752 S	6/2007	King		
D555,426 S *	11/2007	Lin	D7/402
D592,443 S	5/2009	Fraser		

(Continued)

OTHER PUBLICATIONS

Diliboz Campfire Tripod, first available Jul. 2, 2021, Amazon, [online], [site visited Oct. 12, 2022], Available from internet URL: <https://www.amazon.com/Diliboz-campfire-tripod-camping-cooking/dp/B08VWC4SPC> (Year: 2021).*

(Continued)

Primary Examiner — Mary Ann Calabrese

Assistant Examiner — Natalya M Rapundalo

(74) *Attorney, Agent, or Firm* — Loza & Loza LLP;
Kevin L. Soules

(57) **CLAIM**

The ornamental design for a cooking stand, as shown and described.

DESCRIPTION

FIG. 1 is a front top perspective view of a cooking stand, shown with the legs in a stowed position, showing my new design;

FIG. 2 is a left side elevation view thereof;

FIG. 3 is a right side elevation view thereof;

FIG. 4 is a front elevation view thereof;

FIG. 5 is a rear elevation view thereof;

FIG. 6 is a top plan view thereof;

FIG. 7 is a bottom plan view thereof;

FIG. 8 is a front bottom perspective view thereof;

FIG. 9 is a front top perspective view of the cooking stand, shown with the legs in a deployed position;

FIG. 10 is a left side elevation view thereof;

FIG. 11 is a right side elevation view thereof;

FIG. 12 is a front elevation view thereof;

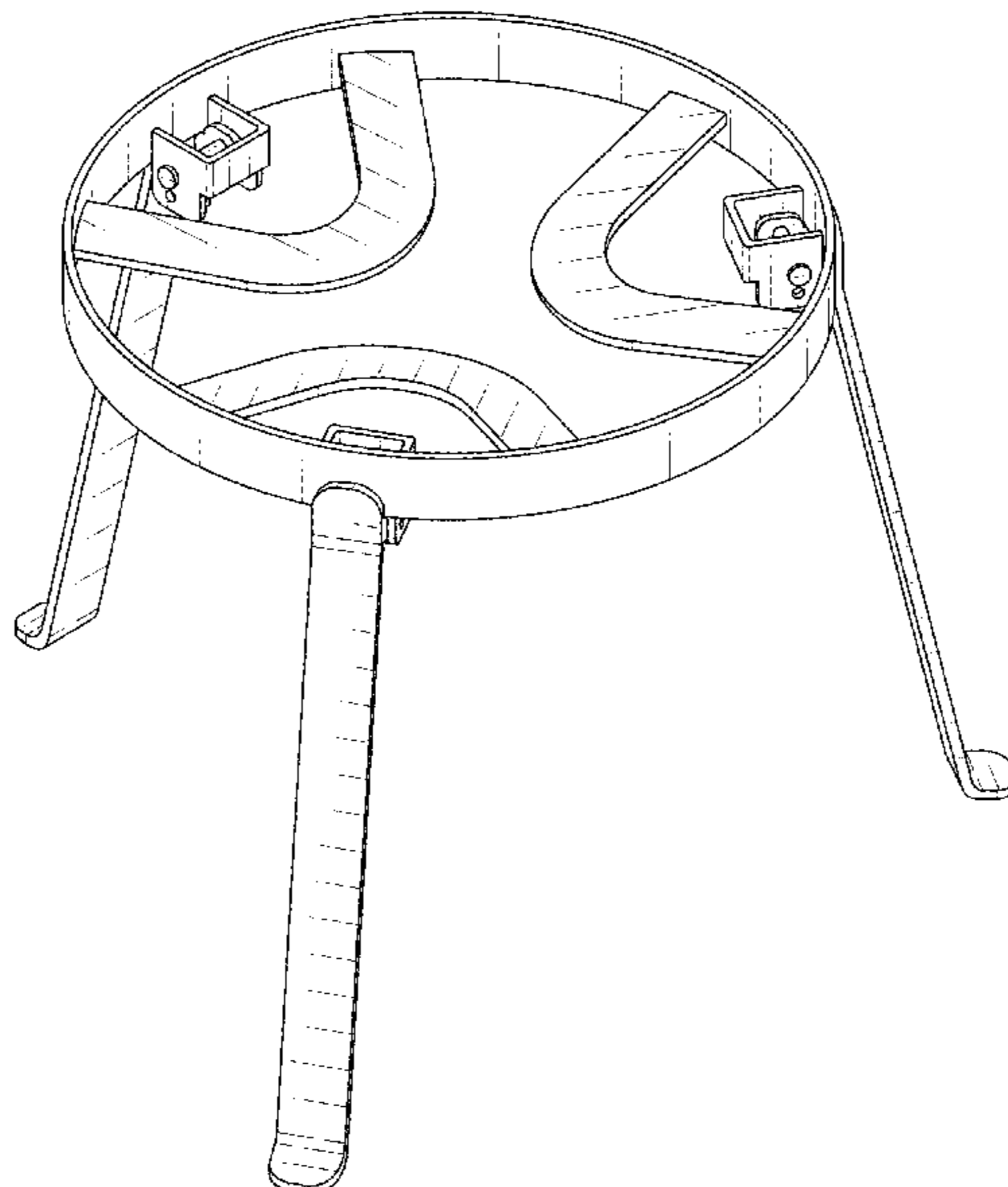
FIG. 13 is a rear elevation view thereof;

FIG. 14 is a top plan view thereof;

FIG. 15 is a bottom plan view thereof; and,

FIG. 16 is a front bottom perspective view thereof.

1 Claim, 14 Drawing Sheets



(56)

References Cited

U.S. PATENT DOCUMENTS

D781,647 S * 3/2017 Bogazzi D7/402
D789,145 S * 6/2017 Blichmann D7/407
D801,495 S 10/2017 Home, III
10,722,068 B2 7/2020 Yocum
D901,965 S * 11/2020 Carson D7/332
D914,172 S 3/2021 Stoltzfus
D926,301 S * 7/2021 Stoltzfus A47J 37/108
D23/347
D928,560 S 8/2021 McEwan
D932,833 S 10/2021 Gill et al.
11,278,153 B2 3/2022 Stoltzfus
D951,016 S * 5/2022 Jaggard A47J 37/0763
D7/403
2015/0136111 A1 * 5/2015 Bizal A47J 37/108
126/25 R

OTHER PUBLICATIONS

Vinazone Campfire Tripod, first available May 7, 2022, Amazon, [online], [site visited Nov. 15, 2022], Available from internet URL: <https://www.amazon.com/Campfire-Tripod-Portable-Outdoor-Cooking/dp/B09ZQWBM9M> (Year: 2022).*

* cited by examiner

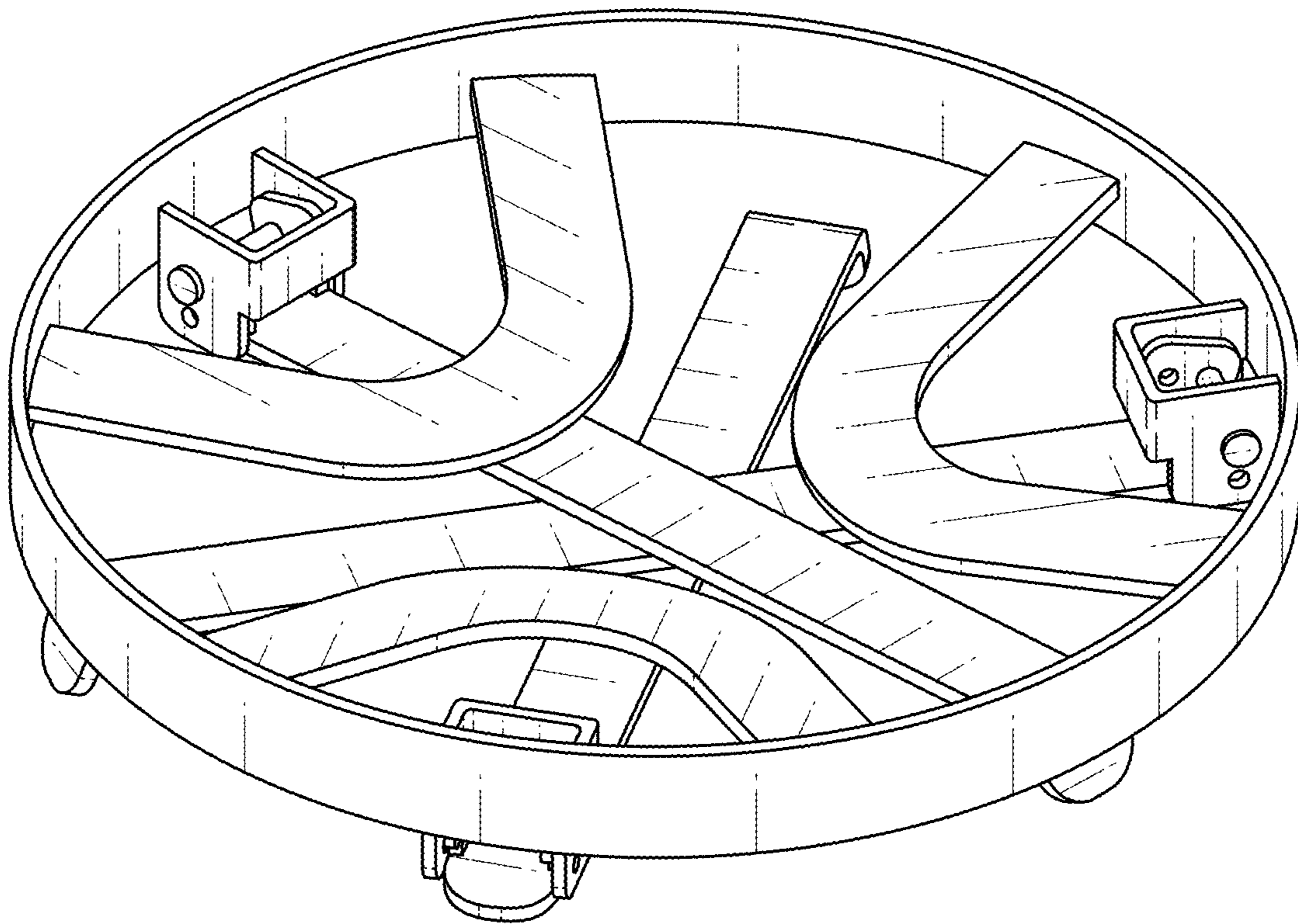


FIG. 1

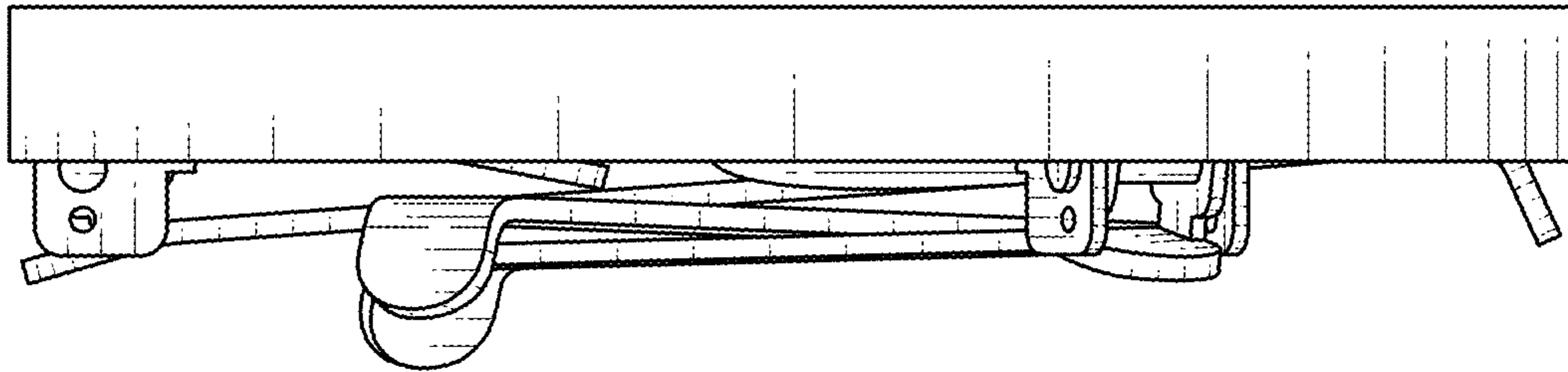


FIG. 2

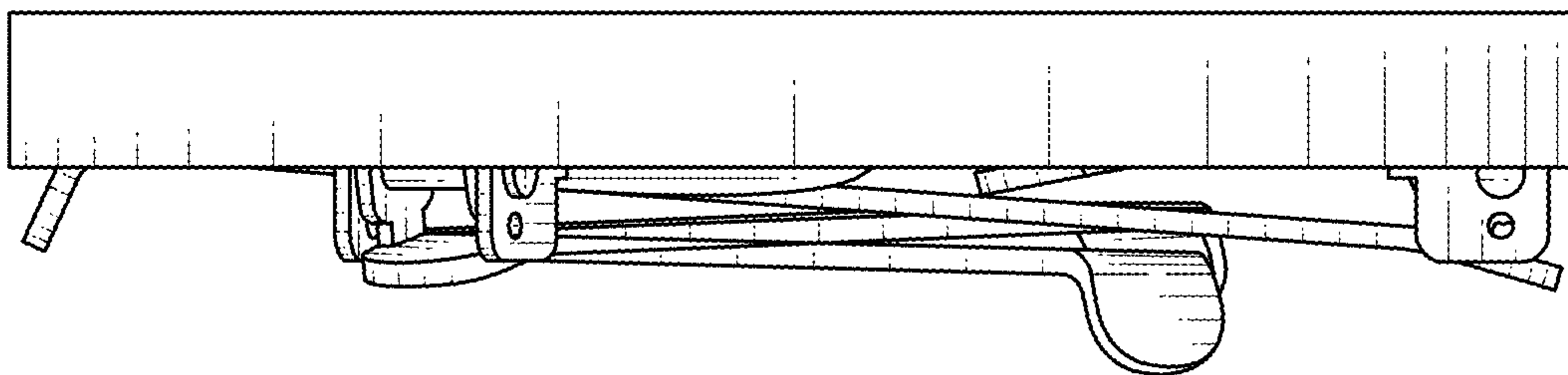


FIG. 3

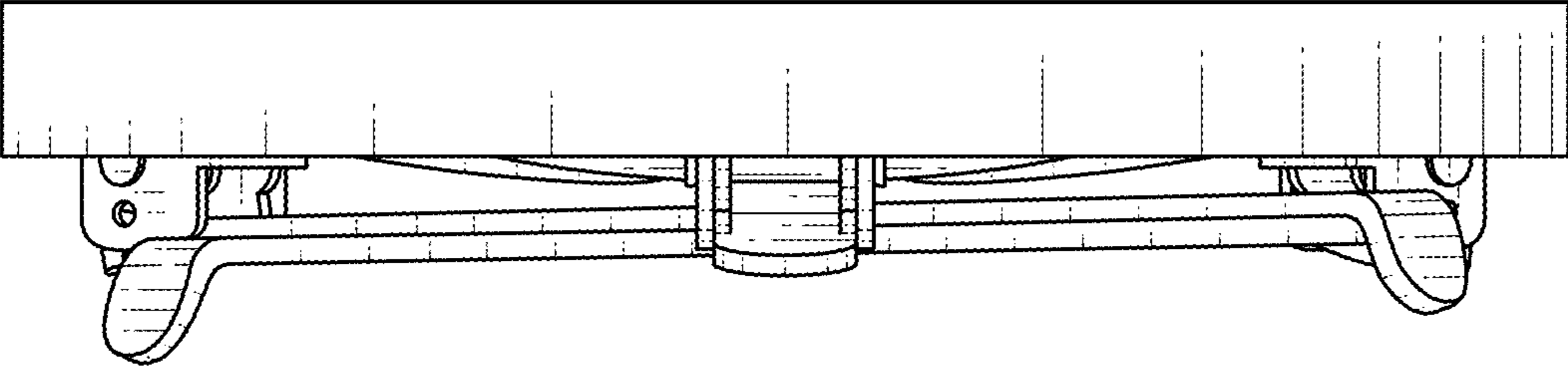


FIG. 4

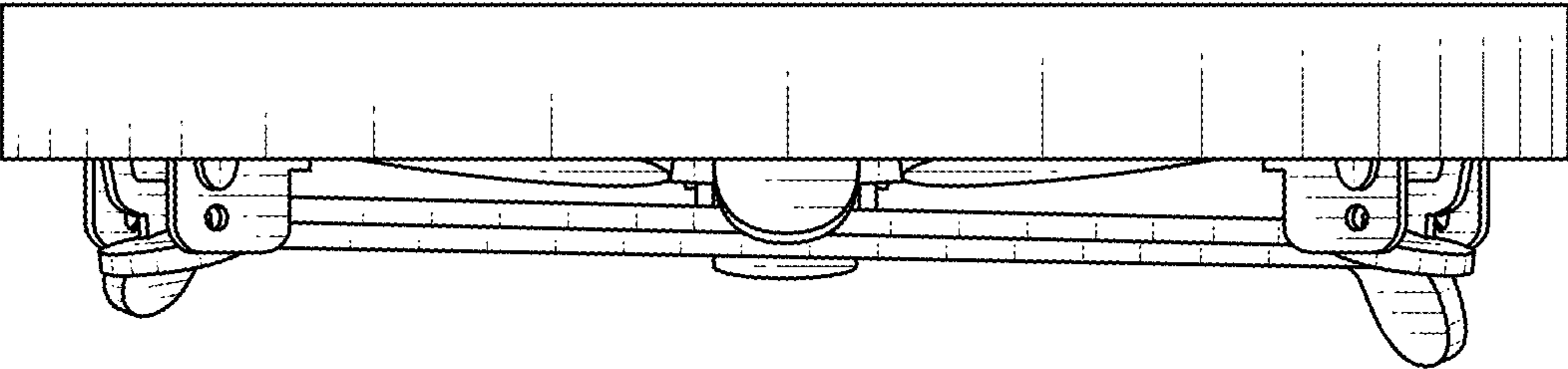


FIG. 5

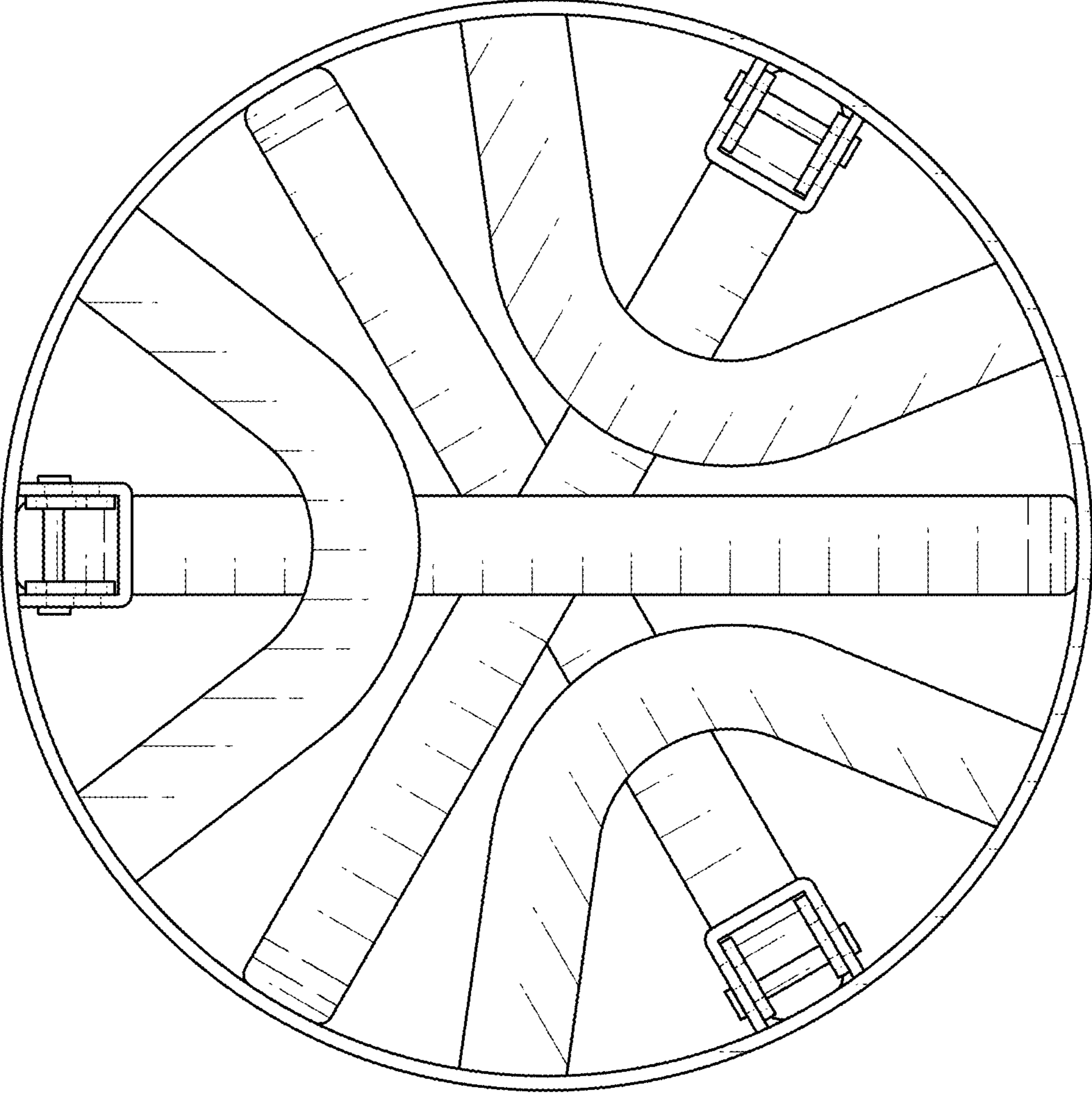


FIG. 6

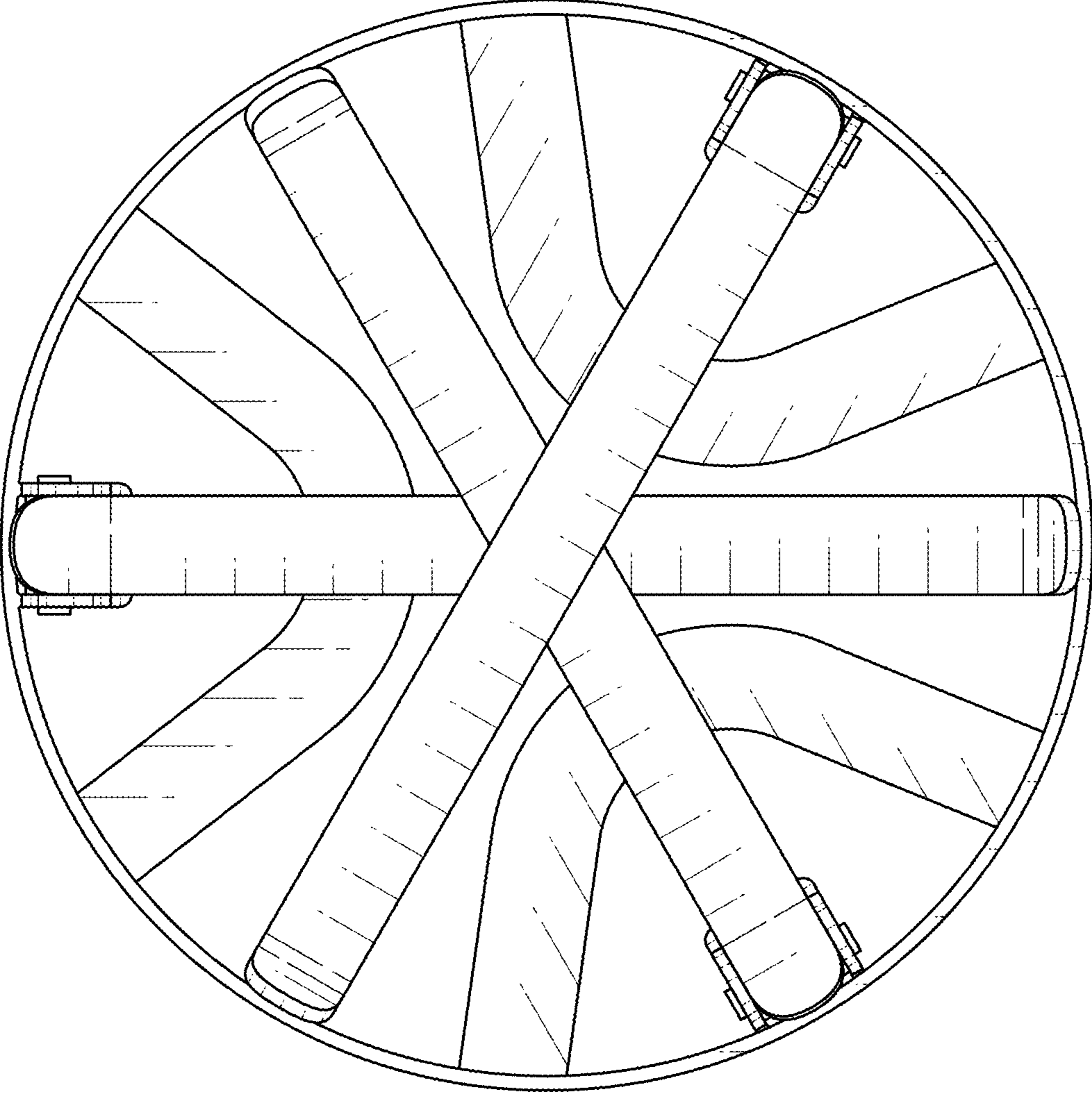


FIG. 7

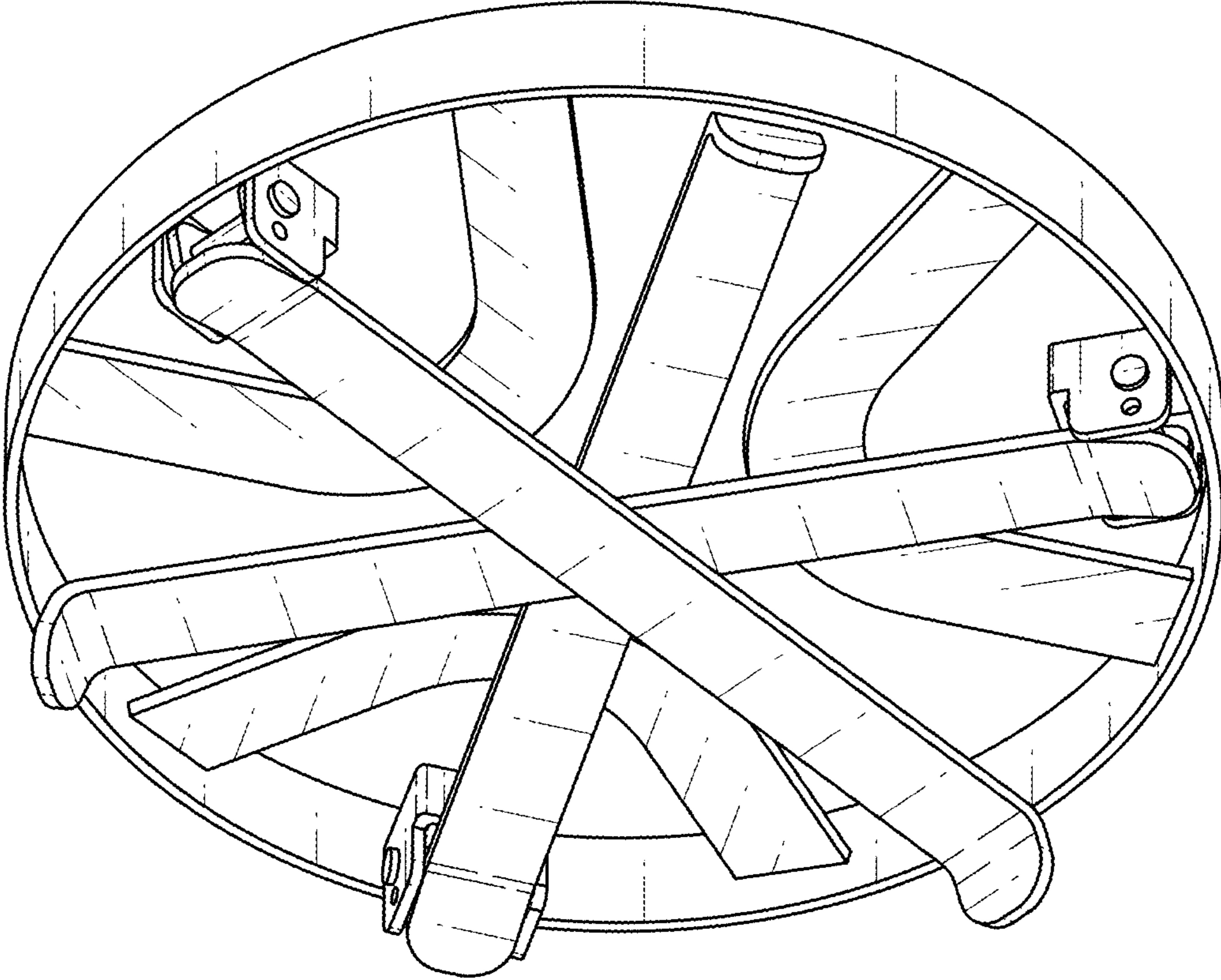


FIG. 8

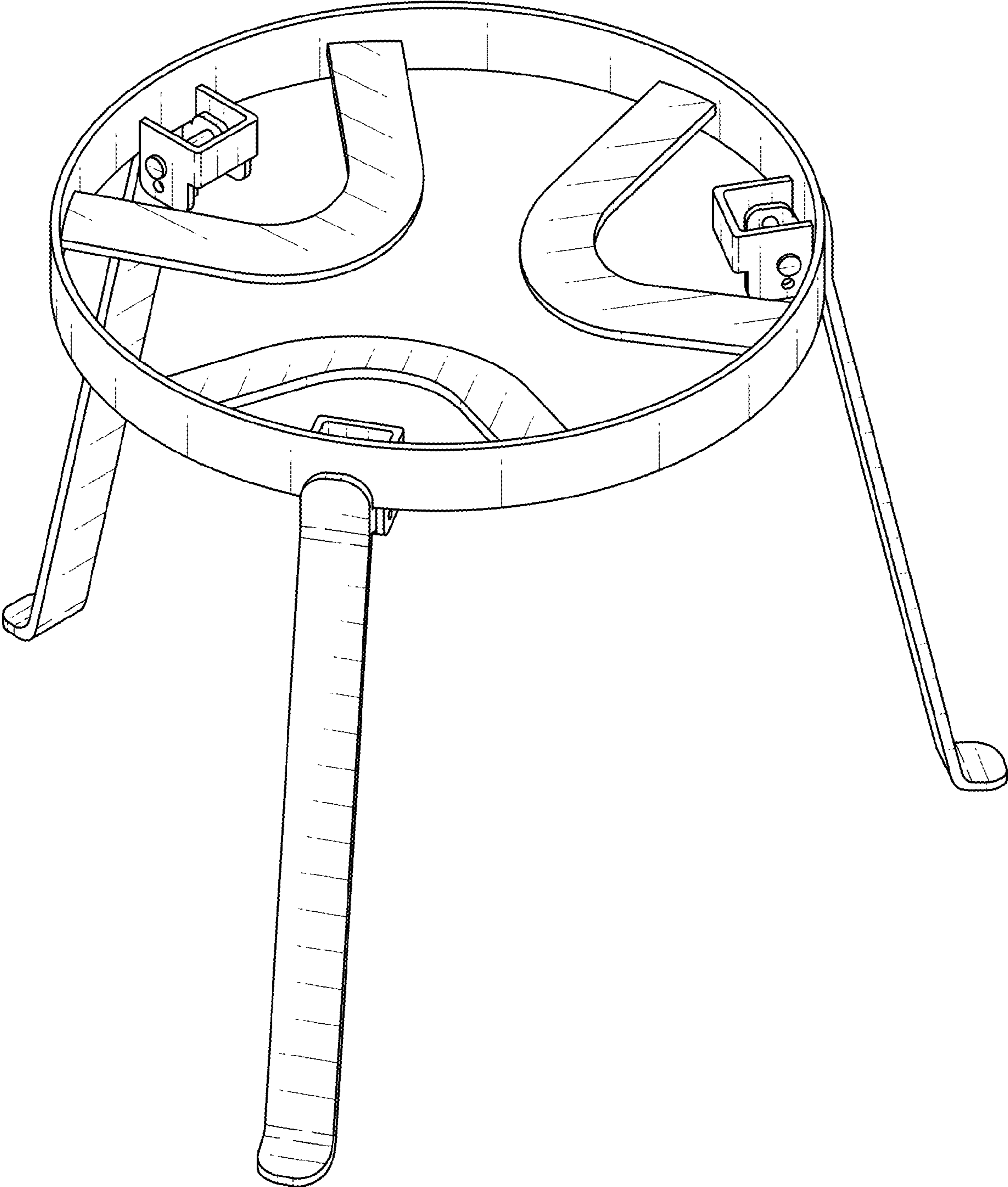


FIG. 9

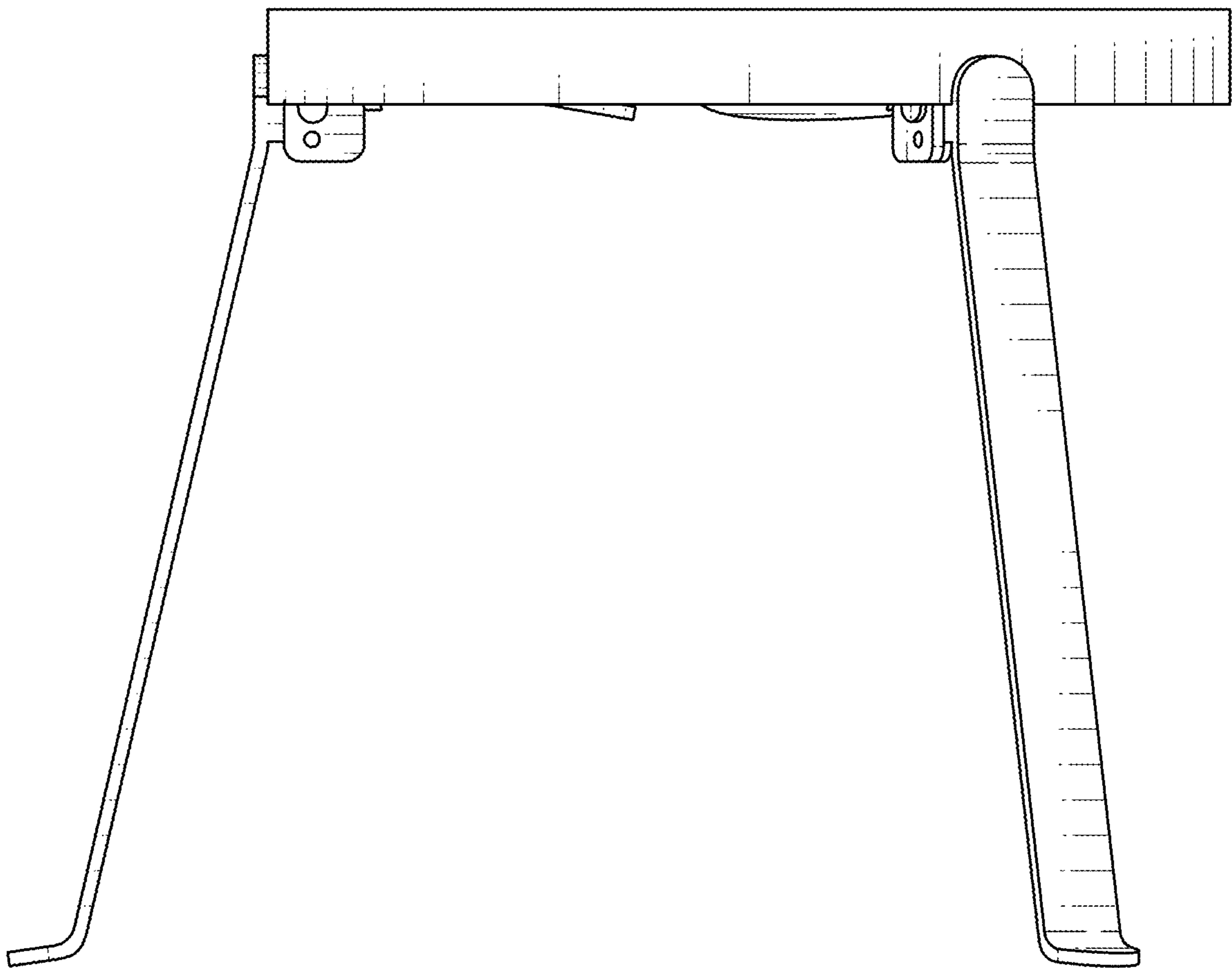


FIG. 10

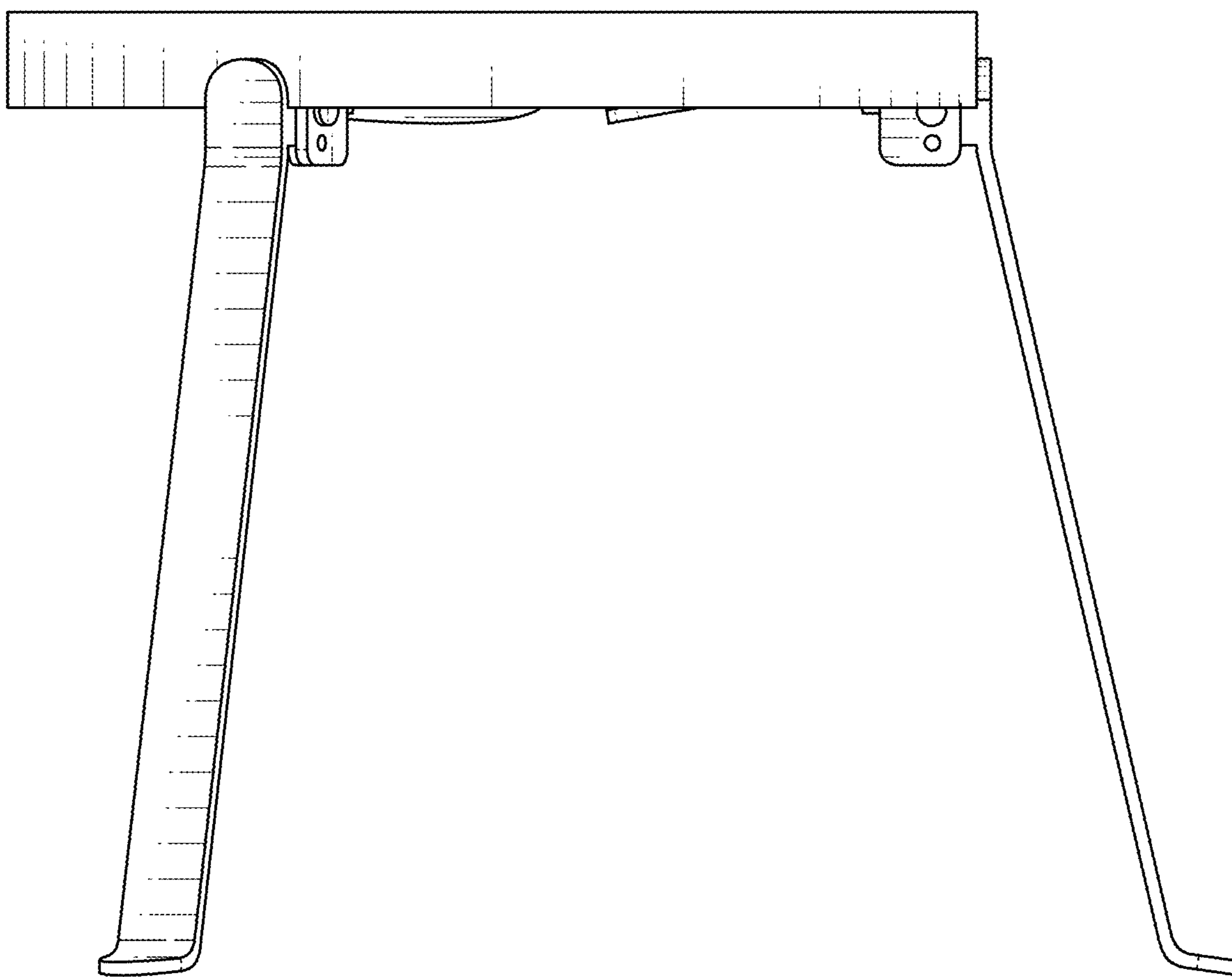


FIG. 11

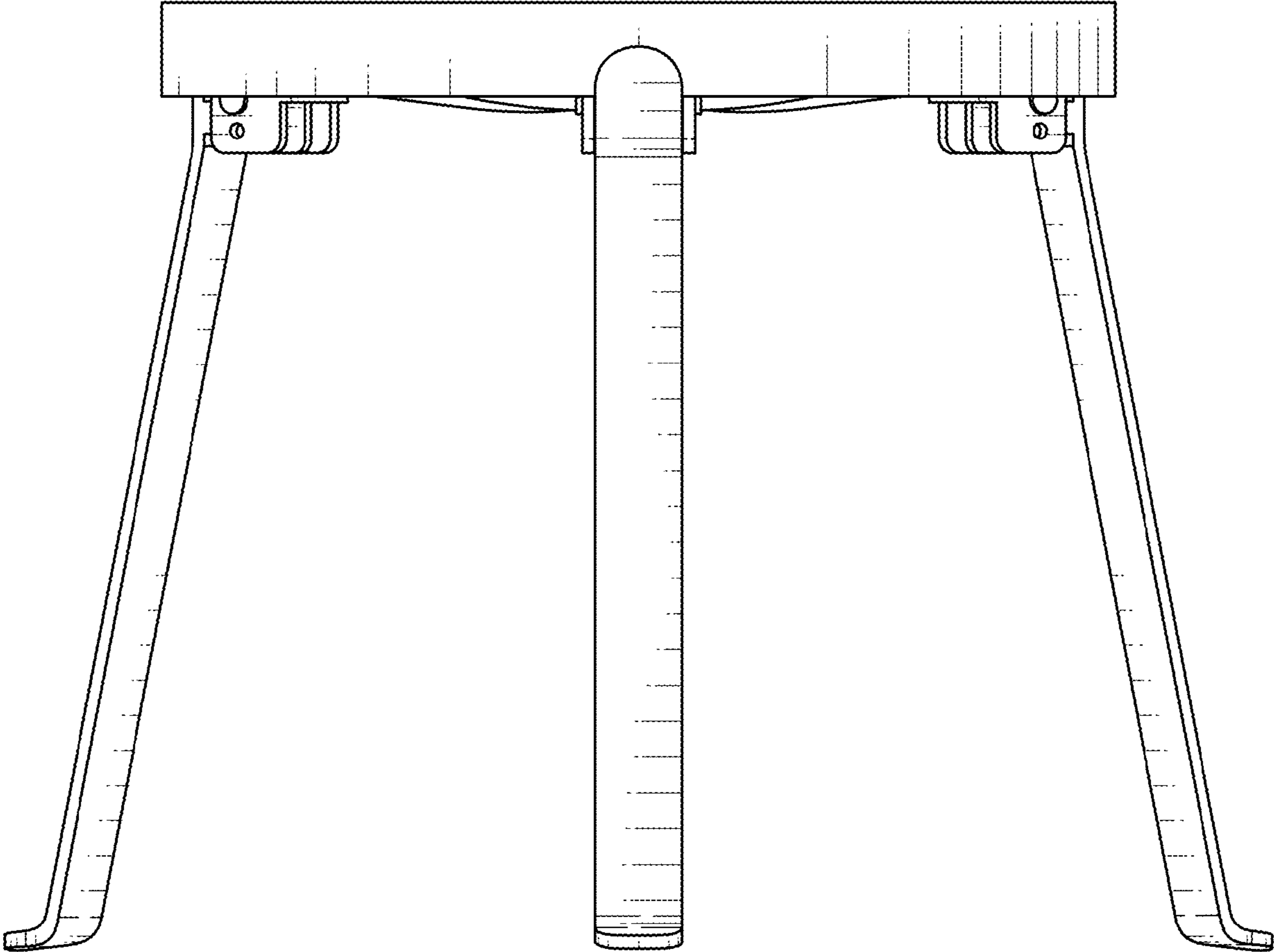


FIG. 12

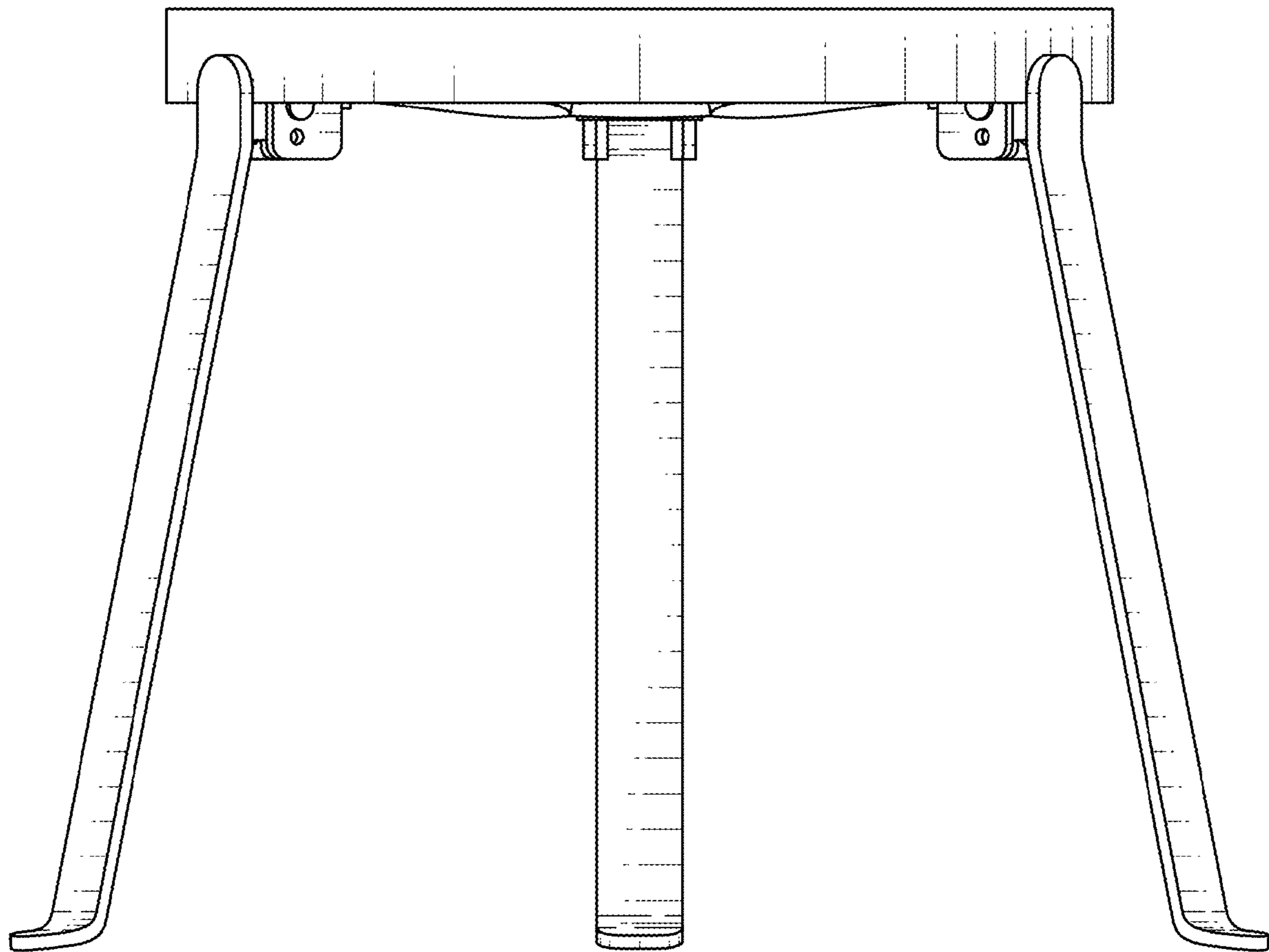


FIG. 13

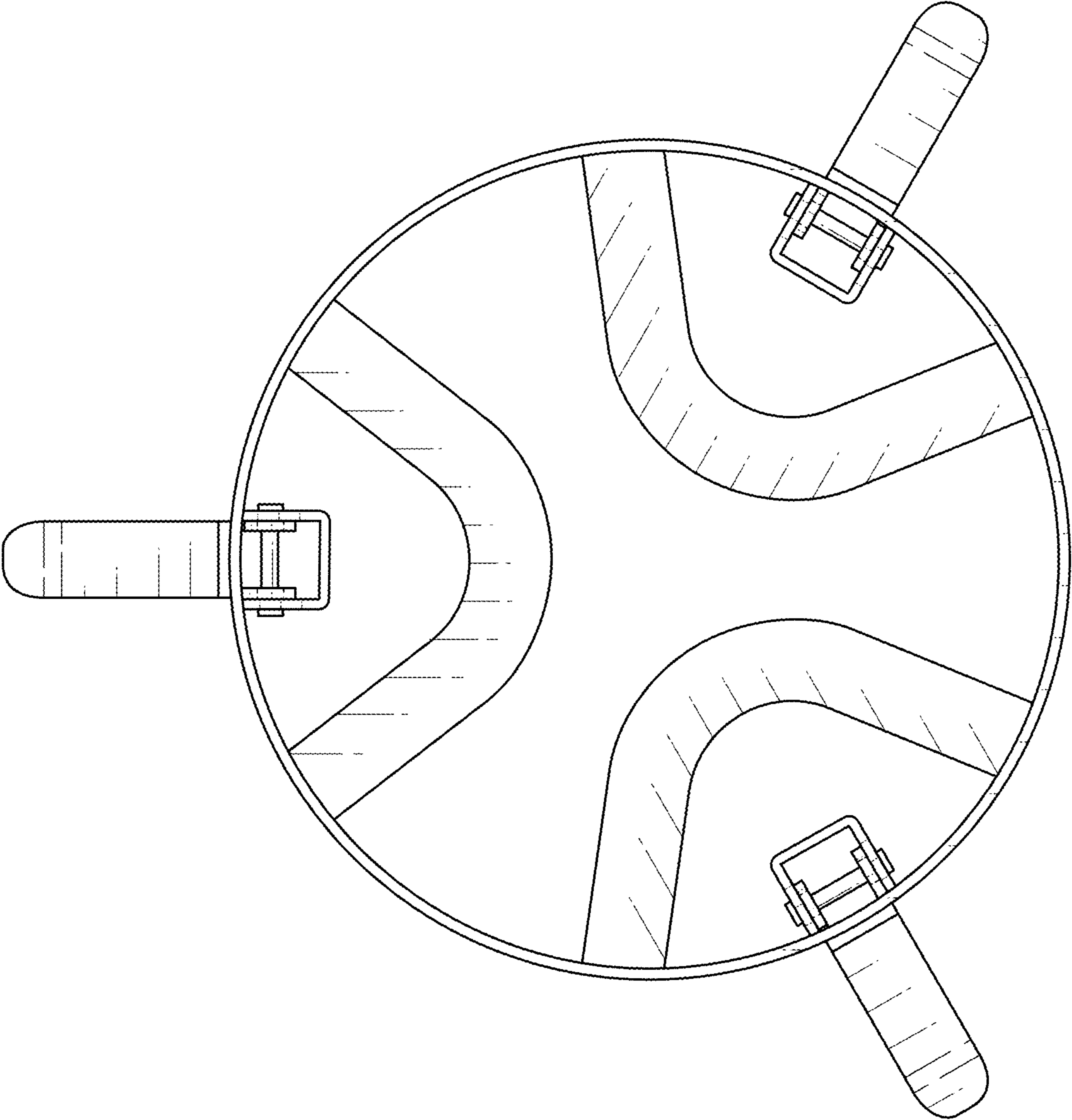


FIG. 14

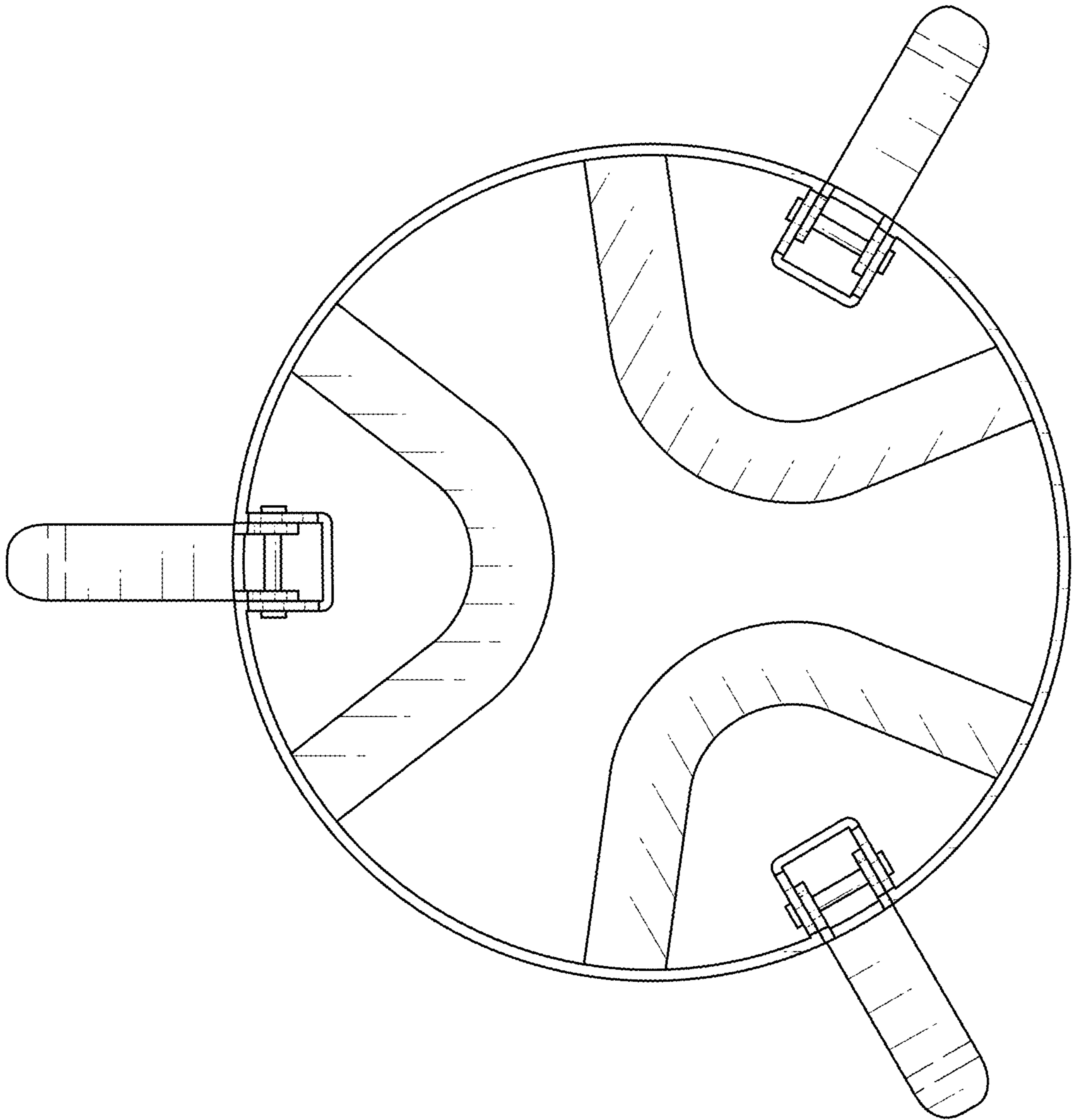


FIG. 15

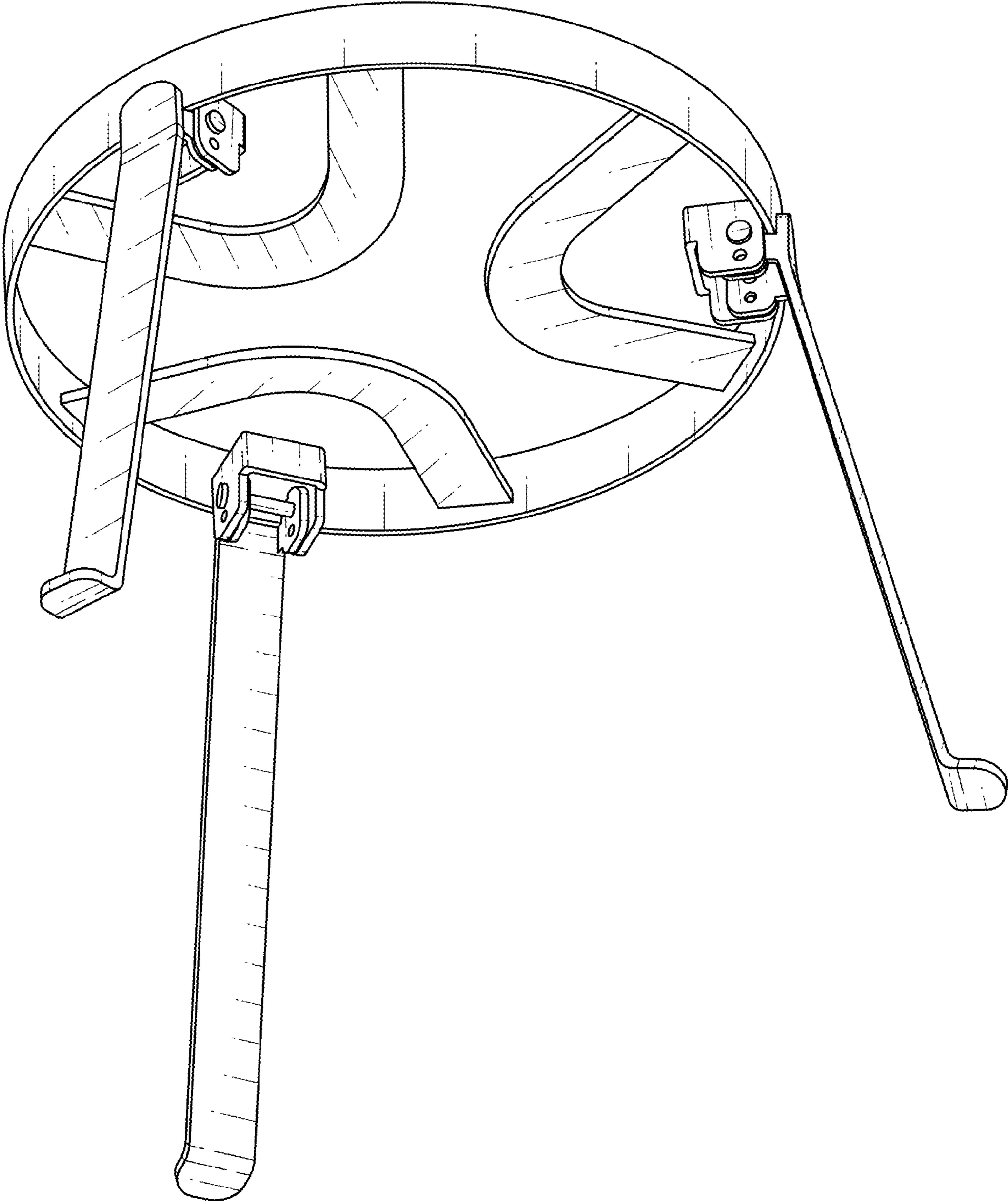


FIG. 16