



US00D974836S

(12) **United States Design Patent**
Mao

(10) **Patent No.:** **US D974,836 S**
(45) **Date of Patent:** **** Jan. 10, 2023**

- (54) **STOVE GAP COVER**
- (71) Applicant: **Shenzhen Huayuan Jiada Technology and Trade Co., Ltd., Shenzhen (CN)**
- (72) Inventor: **Limin Mao, Guangdong (CN)**
- (73) Assignee: **Shenzhen Huayuan Jiada Technology and Trade Co., Ltd., Shenzhen (CN)**
- (**) Term: **15 Years**
- (21) Appl. No.: **29/834,358**
- (22) Filed: **Apr. 11, 2022**
- (51) **LOC (14) Cl.** **07-02**
- (52) **U.S. Cl.**
USPC **D7/402**
- (58) **Field of Classification Search**
USPC D7/402–411, 332–336, 362–363,
D7/340–341, 346–348; D6/699.5, 705;
D8/403, 395; D25/199
CPC F24C 3/126; F24C 15/36; A47J 37/0786;
A47J 36/26
See application file for complete search history.

D852,615 S * 7/2019 Schloss D8/403
D856,752 S * 8/2019 Jenkins D8/395
D957,694 S * 7/2022 Polston D25/199

OTHER PUBLICATIONS

Stove Cover, Stove Guard, Stainless Steel Stove Gap Covers . . . ,
by KOZYLAND, Amazon [online], date first available Nov. 26,
2021, [retrieved on Aug. 30, 2022]. Retrieved from the Internet,
URL: <https://www.amazon.com/dp/B09GJGZ931/>.
Stove Gap Covers—Stainless Steel, Kitchen Stove Counter Gap
Cover Range Filler . . . , Amazon [online], date first available Apr.
9, 2022, [retrieved on Aug. 30, 2022]. Retrieved from the Internet,
URL: <https://www.amazon.com/Stove-Gap-Covers-Stainless-Countertop/dp/B09XK964LN/>.

* cited by examiner

Primary Examiner — Nicole C Shiflet

(57) **CLAIM**

The ornamental design for a stove gap cover, as shown and described.

DESCRIPTION

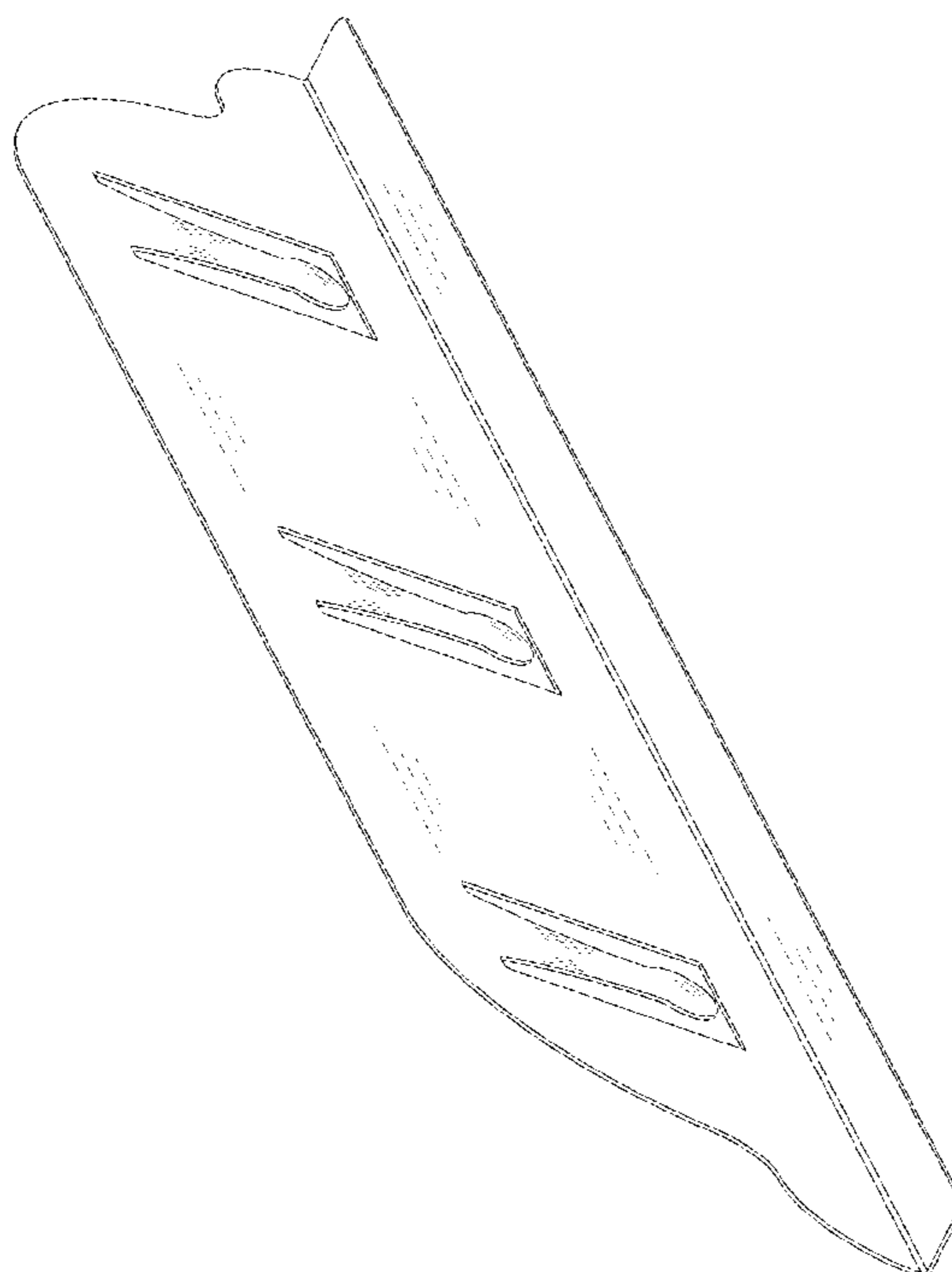
FIG. 1 is a perspective view of a stove gap cover, showing my new design;
FIG. 2 is an alternative perspective view thereof;
FIG. 3 is a front perspective view thereof;
FIG. 4 is a front elevation view thereof;
FIG. 5 is a rear elevation view thereof;
FIG. 6 is a left side elevation view thereof;
FIG. 7 is a right side elevation view thereof;
FIG. 8 is a top plan view thereof; and,
FIG. 9 is a bottom plan view thereof.

1 Claim, 9 Drawing Sheets

(56) **References Cited**

U.S. PATENT DOCUMENTS

D305,291 S * 1/1990 Kiev D7/402
D325,249 S * 4/1992 Kliebert D7/402
D325,485 S * 4/1992 Diem D6/699.5
D441,604 S * 5/2001 Valdez D7/406
D479,799 S * 9/2003 Zamberg D8/403
D585,680 S * 2/2009 Liss D6/705
D749,357 S * 2/2016 Kim D7/402
D773,246 S 12/2016 Raley
D852,614 S * 7/2019 Schloss D8/403



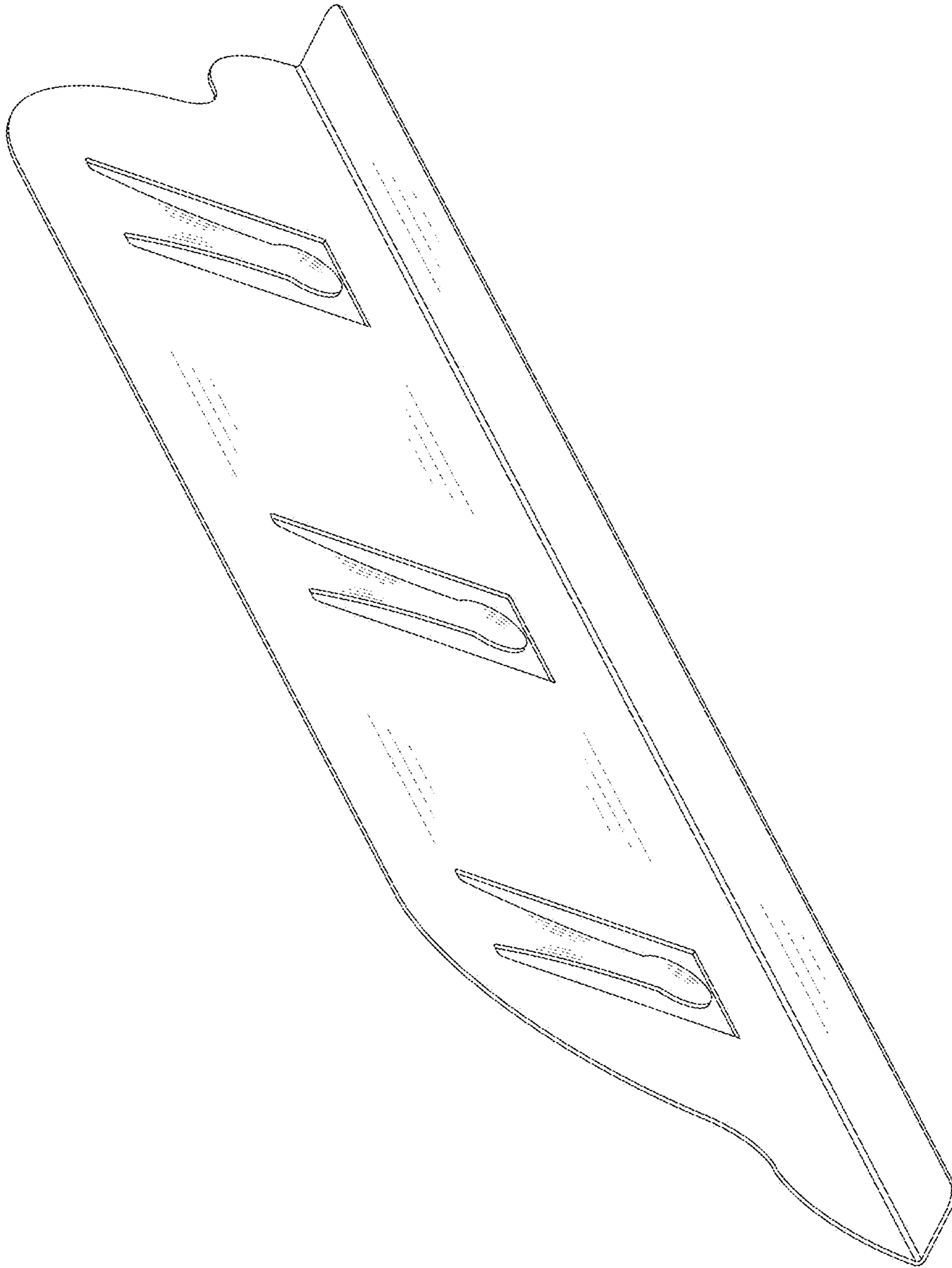


FIG. 1

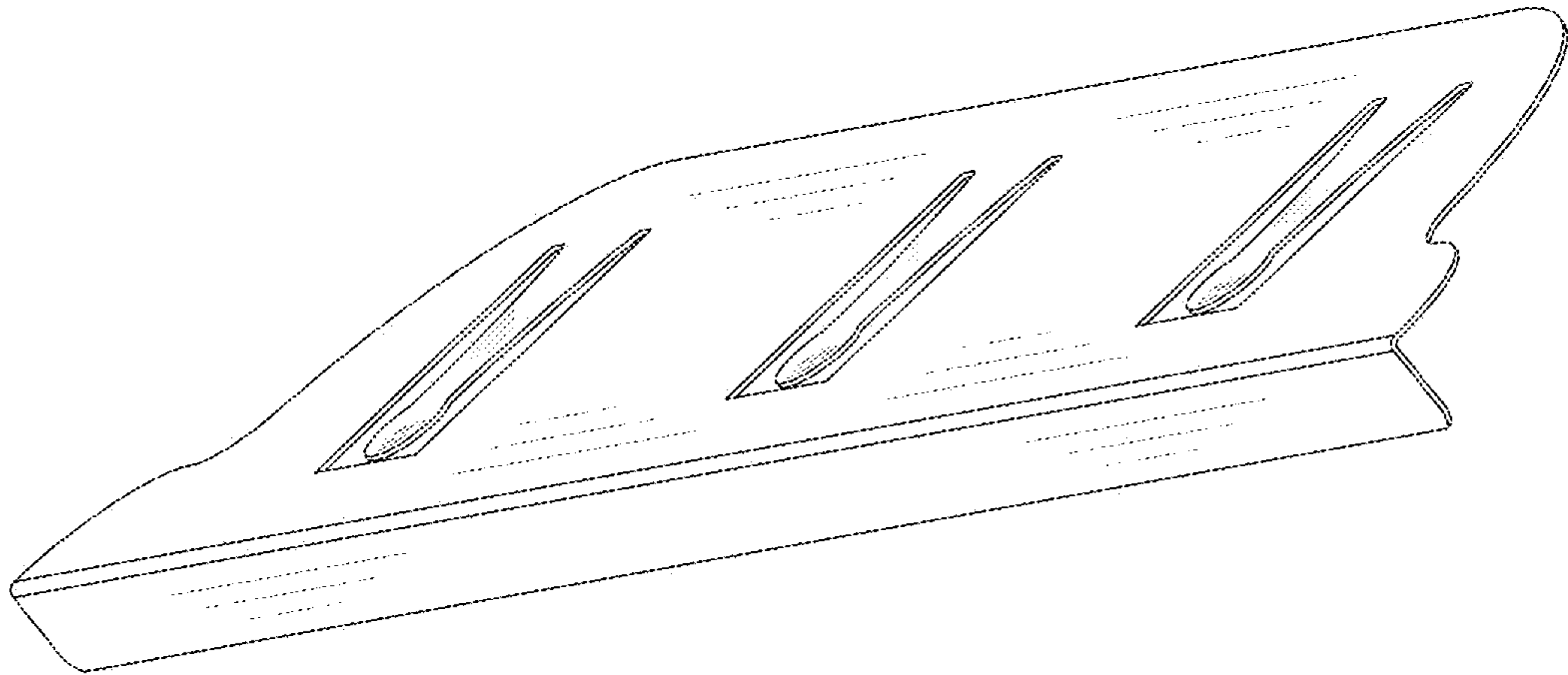


FIG. 2

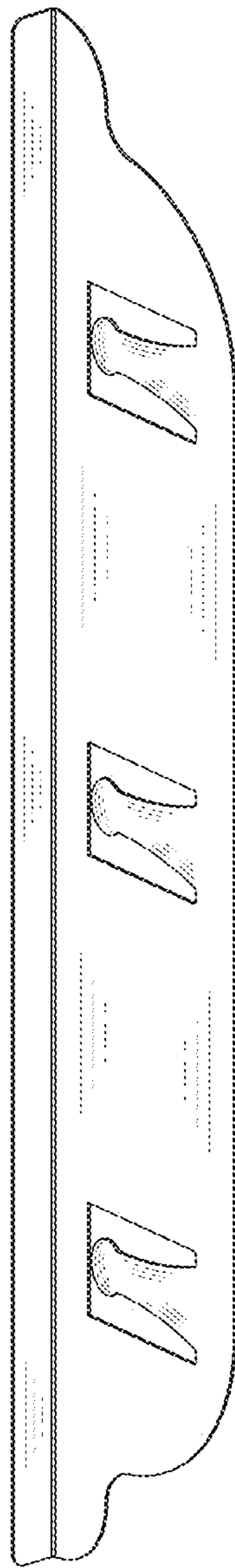


FIG. 3

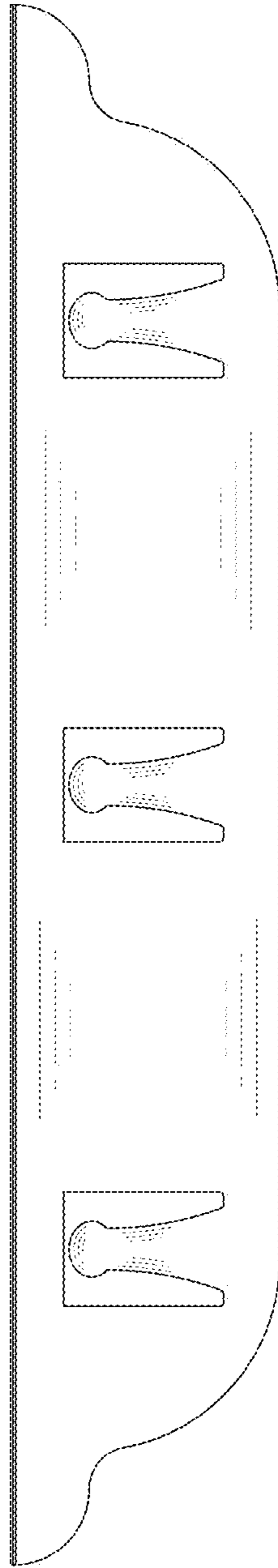


FIG. 4

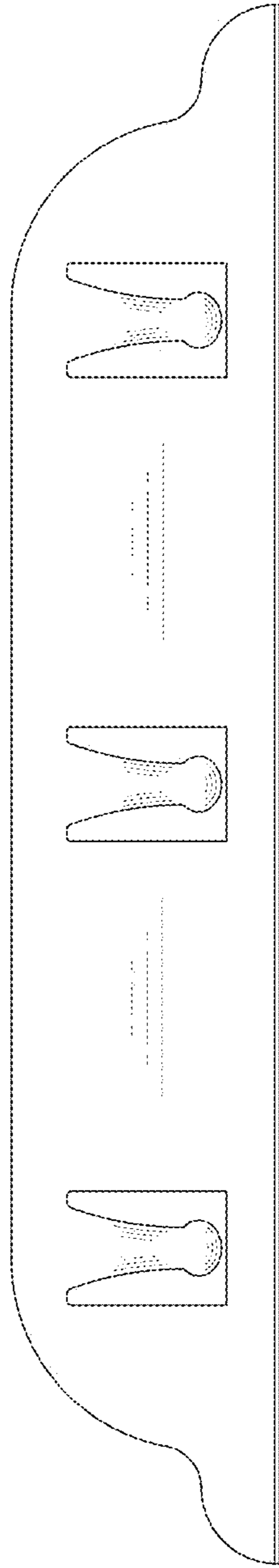


FIG. 5

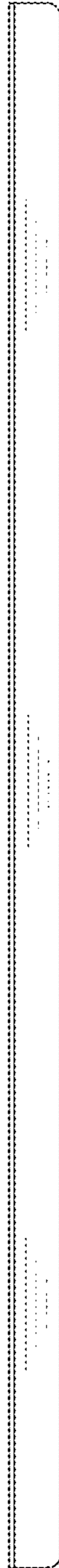


FIG. 6

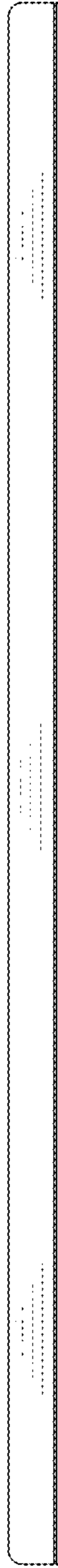


FIG. 7



FIG. 8



FIG. 9